

R410A

Commercial Air Conditioners

# Engineering Data

 **V6-i Series VRF**  
ALL DC INVERTER



MV6-i252WV2GN1

MV6-i280WV2GN1

MV6-i335WV2GN1

MV6-i400WV2GN1

MV6-i450WV2GN1

MV6-i500WV2GN1

MV6-i560WV2GN1

MV6-i615WV2GN1

MV6-i670WV2GN1

MV6-i730WV2GN1

MV6-i785WV2GN1

MV6-i850WV2GN1

MV6-i900WV2GN1

# CONTENTS

Part 1 General Information.....	3
Part 2 Outdoor Unit Engineering Data .....	17
Part 3 System Design and Installation.....	197



# Part 1

## General Information

1	Indoor and Outdoor Unit Capacities .....	4
2	External Appearance .....	6
3	Nomenclature .....	8
4	Combination Ratio .....	10
5	Selection Procedure .....	11



## 1 Indoor and Outdoor Unit Capacities

### 1.1 Indoor Units

#### 1.1.1 Standard indoor units

Table 1-1.1: Standard indoor unit abbreviation codes

Abbreviation code	Type
Q1	One-way Cassette
Q2	Two-way Cassette
Q4C	Compact Four-way Cassette
Q4	Four-way Cassette
T2	Medium Static Pressure Duct

Abbreviation code	Type
T1	High Static Pressure Duct
G	Wall-mounted
DL	Ceiling & Floor
F	Floor Standing
Z	Console

Table 1-1.2: Standard indoor unit capacity range

Capacity		Capacity index	Q1	Q2	Q4C	Q4	T2	T1	G	DL	F	Z
kW	HP											
1.8	0.6	18	18	—	—	—	—	—	—	—	18	—
2.2	0.8	22	22	22	22	—	22	—	22	—	22	22
2.8	1	28	28	28	28	28	28	—	28	—	28	28
3.6	1.25	36	36	36	36	36	36	—	36	36	36	36
4.5	1.6	45	45	45	45	45	45	—	45	45	45	45
5.6	2	56	56	56	—	56	56	—	56	56	56	—
7.1	2.5	71	71	71	—	71	71	71	71	71	71	—
8.0	3	80	—	—	—	80	80	80	80	80	80	—
9.0	3.2	90	—	—	—	90	90	90	90	90	90	—
10.0	3.6	100	—	—	—	100	—	—	—	—	—	—
11.2	4	112	—	—	—	112	112	112	—	112	—	—
14.0	5	140	—	—	—	140	140	140	—	140	—	—
16.0	6	160	—	—	—	—	—	160	—	160	—	—
20.0	7	200	—	—	—	—	—	200	—	—	—	—
25.0	9	250	—	—	—	—	—	250	—	—	—	—
28.0	10	280	—	—	—	—	—	280	—	—	—	—
40.0	14	400	—	—	—	—	—	400	—	—	—	—
45.0	16	450	—	—	—	—	—	450	—	—	—	—
56.0	20	560	—	—	—	—	—	560	—	—	—	—

#### 1.1.2 Fresh air processing unit

Table 1-1.3: Fresh air processing unit capacity range

Capacity	12.5kW	14kW	20kW	25kW	28kW
Capacity index	125	140	200	250	280

### 1.2 Heat recovery ventilator

Table 1-1.4: Heat recovery ventilator capacity range

Capacity	200m <sup>3</sup> /h	300m <sup>3</sup> /h	400m <sup>3</sup> /h	500m <sup>3</sup> /h	800m <sup>3</sup> /h	1000m <sup>3</sup> /h	1500m <sup>3</sup> /h	2000m <sup>3</sup> /h
----------	----------------------	----------------------	----------------------	----------------------	----------------------	-----------------------	-----------------------	-----------------------

### 1.3 Outdoor Units

Table 1-1.5: Outdoor unit capacity range

Capacity	Model Name
8HP	MV6-i252WV2GN1
10HP	MV6-i280WV2GN1
12HP	MV6-i335WV2GN1
14HP	MV6-i400WV2GN1
16HP	MV6-i450WV2GN1
18HP	MV6-i500WV2GN1
20HP	MV6-i560WV2GN1
22HP	MV6-i615WV2GN1
24HP	MV6-i670WV2GN1
26HP	MV6-i730WV2GN1
28HP	MV6-i785WV2GN1
30HP	MV6-i850WV2GN1
32HP	MV6-i900WV2GN1

Notes:








1. V6 Individual Series (V6-I Series) outdoor units could not be combined.

## 2 External Appearance

### 2.1 Indoor Units

#### 2.1.1 Standard indoor units

Table 1-2.1: Standard indoor unit appearance

One-way Cassette Q1 	Two-way Cassette Q2 
Compact Four-way Cassette Q4C 	Four-way Cassette Q4 
Medium Static Pressure Duct T2 	High Static Pressure Duct T1 
Wall-mounted G 	Ceiling & Floor DL 
Floor Standing F 	Console Z 


#### 2.1.2 Fresh air processing unit

Table 1-2.2: Fresh air processing unit appearance





Fresh Air Processing Unit FA 
--

### 2.2 Heat Recovery Ventilator

Table 1-2.3: Heat recovery ventilator appearance

Heat Recovery Ventilator 
---

**2.3 Outdoor Units**
*Table 1-2.4: Outdoor unit appearance*

<b>8/10/12HP (with single fan)</b>	<b>14/16/18HP (with single fan)</b>	<b>20/22HP (with dual fans)</b>	<b>24/26/28/30/32HP (with dual fans)</b>
			

## 3 Nomenclature

### 3.1 Indoor Units

#### 3.1.1 Standard indoor units

M   I   2   =   22   Q1   D   H   N1  
 ①   ②   ③   ④   ⑤   ⑥   ⑦   ⑧

Legend		
No.	Code	Remarks
1	M	Midea
2	I	VRF indoor unit
3	2	The 2nd generation VRF DC indoor unit
4	22	Capacity index (the capacity in kW multiplied by 10)
5	Q1	Indoor unit type Q1: One-way Cassette Q2: Two-way Cassette Q4C: Compact Four-way Cassette Q4: Four-way Cassette T2: Medium Static Pressure Duct T1: High Static Pressure Duct G: Wall-mounted DL: Ceiling & Floor F: Floor Standing Z: Console
6	D	Series category (D: DC series)
7	H	Power supply Omit: 1 phase, 220-240V, 50Hz H: 1 phase, 220-240V, 50/60Hz
8	N1	Refrigerant type (N1: R410A)

#### 3.1.2 Fresh air processing unit

M   I   2   =   280   FA   D   H   N1  
 ①   ②   ③   ④   ⑤   ⑥   ⑦   ⑧

Legend		
No.	Code	Remarks
1	M	Midea
2	I	VRF indoor unit
3	2	The 2nd generation VRF DC indoor unit
4	280	Capacity index (the capacity in kW multiplied by 10)
5	FA	Indoor unit type FA: Fresh Air Processing Unit
6	D	Series category (D: DC series)
7	H	Power supply Omit: 1 phase, 220-240V, 50Hz H: 1 phase, 220-240V, 50/60Hz
8	N1	Refrigerant type (N1: R410A)

### 3.2 Heat recovery ventilator

AC Series

$$\text{HRV} = 200$$

①                      ②

Legend		
No.	Code	Remarks
1	HRV	Heat recovery ventilator
2	200	Airflow in m <sup>3</sup> /h

DC Series

$$\text{HRV} = \text{D} 200$$

①                      ②                      ③

Legend		
No.	Code	Remarks
1	HRV	Heat recovery ventilator
2	D	Series category (D: DC series)
3	200	Airflow in m <sup>3</sup> /h

### 3.3 Outdoor Units

$$\text{M V6} = \text{i} 252 \text{ W V2 G N1}$$

①    ②                      ③    ④    ⑤    ⑥    ⑦    ⑧

Legend		
No.	Code	Remarks
1	M	Midea
2	V6	The 6 <sup>th</sup> generation VRF
3	i	Series category (i: Individual series)
4	252	Capacity index (the capacity in kW multiplied by 10)
5	W	Unit category (W: VRF outdoor unit)
6	V2	Type (V2: All DC inverter)
7	G	Power supply (G: 3 phase, 380-415V, 50/60Hz)
8	N1	Refrigerant type (N1: R410A)

## 4 Combination Ratio

$$\text{Combination ratio} = \frac{\text{Sum of capacity indexes of the indoor units}}{\text{Capacity index of the outdoor unit}}$$

Table 1-4.1: Indoor and outdoor unit combination ratio limitations

Type	Minimum combination ratio	Maximum combination ratio		
		Standard indoor units only	Fresh air processing units only	Fresh air processing units and standard indoor units together
V6-i Series outdoor units	50%	130%	100%	100% <sup>1</sup>

Notes:

- When fresh air processing units are installed together with standard indoor units, the total capacity of the fresh air processing units must not exceed 30% of the capacity of the outdoor unit and the combination ratio must not exceed 100%.

Table 1-4.2: Combinations of Indoor and outdoor units

Outdoor unit capacity			Sum of capacity indexes of connected indoor units (standard indoor units only)	Sum of capacity indexes of connected indoor units (fresh air processing units and standard indoor units together)	Maximum number of connected indoor units
kW	HP	Capacity index			
25.2	8	252	126 to 327.6	126 to 252	13
28.0	10	280	140 to 364	140 to 280	16
33.5	12	335	167.5 to 435.5	167.5 to 335	20
40.0	14	400	200 to 520	200 to 400	23
45.0	16	450	225 to 585	225 to 450	26
50.0	18	500	250 to 650	250 to 500	29
56.0	20	560	280 to 728	280 to 560	33
61.5	22	615	307.5 to 799.5	307.5 to 615	36
67.0	24	670	335 to 871	335 to 670	39
73.0	26	730	365 to 949	365 to 730	43
78.5	28	785	392.5 to 1020.5	392.5 to 785	46
85.0	30	850	425 to 1105	425 to 850	50
90.0	32	900	450 to 1170	450 to 900	53

## 5 Selection Procedure

### 5.1 Procedure

#### Step 1: Establish design conditions

Design temperature and humidity (indoor and outdoor)  
 Required heat load of each room  
 System peak load  
 Piping length, level differences  
 Indoor unit specifications (type and quantity)

#### Step 2: Select indoor units

Decide indoor unit safety factor

Select indoor unit models ensuring that:  
 Indoor unit capacity corrected for indoor air temperature  $WB^1 \geq$  Required heat load  $\times$  Indoor unit safety factor

#### Step 3: Select outdoor unit

Determine required total heat load on the outdoor unit

Use the sum of the peak load of each room      Use the system peak load

Provisionally select outdoor unit capacity based on combination ratio

Confirm that the number of indoor units connected to the outdoor unit is within

Correct cooling and heating capacities of the outdoor unit for the following items:  
 Outdoor air temperature / Indoor air temperature WB / Combination ratio / Piping length, level difference / Piping heat loss / Frost accumulation (for heating capacity only)

Is corrected outdoor unit capacity  $\geq$  Required total heat load on outdoor

No

VRF system selection is complete

Notes:

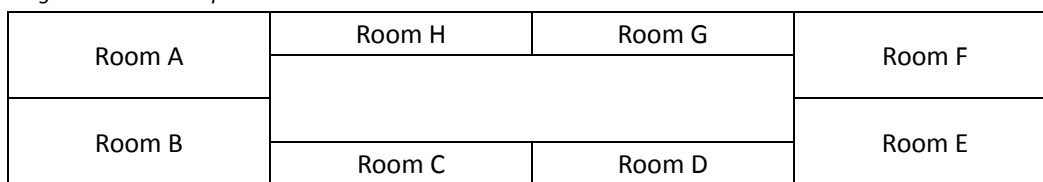
1. If the indoor design temperature falls between two temperatures listed in the indoor unit's capacity table, calculate the corrected capacity by interpolation. If the indoor unit selection is to be based on total heat load and sensible heat load, select indoor units which satisfy not only the total heat load requirements of each room but also the sensible heat load requirements of each room. As with total heat capacity, the sensible heat capacity of indoor units should be corrected for indoor temperature, interpolating where necessary. For the indoor unit capacity tables, refer to the indoor unit technical manuals.



## 5.2 Example

The following is a selection example based on total heat load for cooling.

Figure 1-5.1: Room plan



### Step 1: Establish design conditions

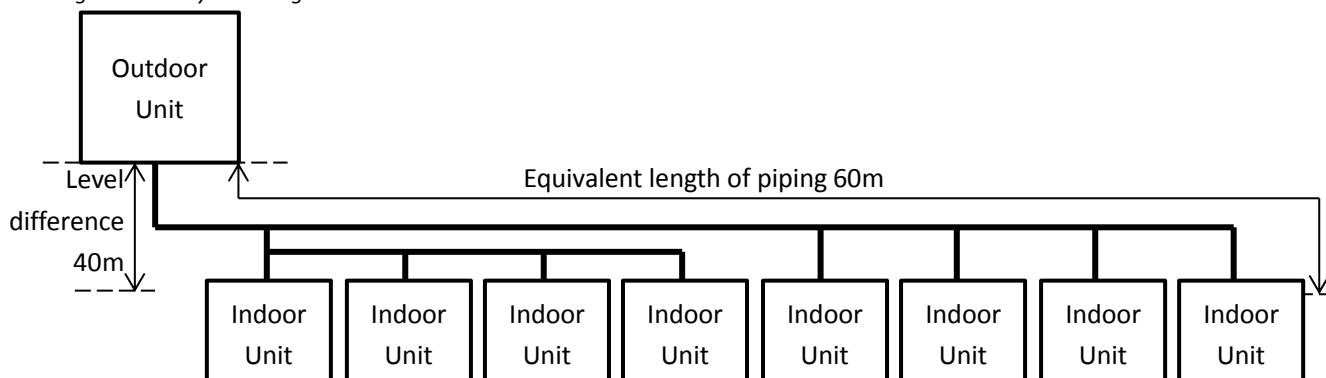
- Indoor air temperature 25°C DB, 18°C WB; outdoor air temperature 33°C DB.
- Determine peak load of each room and system peak load. As shown in Table 1-5.1, the system peak load is 50.7kW.

Table 1-5.1: Required heat load of each room (kW)

Time	Room A	Room B	Room C	Room D	Room E	Room F	Room G	Room H	Total
9:00	4.8	4.8	3.0	3.0	9.1	9.0	2.9	2.9	39.5
12:00	6.6	7.1	5.1	5.1	7.4	6.8	4.0	4.0	46.1
14:00	9.0	9.4	4.9	4.9	7.3	6.8	4.2	4.2	50.7
16:00	10.6	10.7	3.9	3.9	6.3	6.2	3.8	3.8	49.2

- The maximum piping lengths and level differences in this example are as given in Figure 1-5.2.

Figure 1-5.2: System diagram



- Indoor unit type for all rooms: Medium Static Pressure Duct (T2).

### Step 2: Select indoor units

- In this example, a safety factor is not used (i.e. the safety factor is 1).
- Select indoor unit models using the medium static pressure duct cooling capacity table. Each indoor unit's corrected capacity needs to be greater than or equal to the peak load of the relevant room. The selected indoor units are shown in Table 1-5.3.

*Table 1-5.2: Extract from medium static pressure duct (T2) cooling capacity table*

Model	Capacity index	Indoor air temperature													
		14°C WB		16°C WB		18°C WB		19°C WB		20°C WB		22°C WB		24°C WB	
		20°C DB		23°C DB		26°C DB		27°C DB		28°C DB		30°C DB		32°C DB	
		TC	SHC	TC	SHC	TC	SHC	TC	SHC	TC	SHC	TC	SHC	TC	SHC
T2	22	1.5	1.4	1.8	1.5	2.1	1.6	2.2	1.6	2.3	1.7	2.4	1.5	2.4	1.5
	28	1.9	1.7	2.3	1.9	2.6	2.1	2.8	2.1	3.0	2.1	3.1	2.0	3.1	1.9
	36	2.5	2.1	2.9	2.3	3.4	2.5	3.6	2.6	3.8	2.7	4.2	2.8	3.9	2.3
	45	3.1	2.6	3.7	2.8	4.2	3.1	4.5	3.2	4.8	3.2	4.9	3.1	5.1	2.9
	56	3.9	3.0	4.6	3.3	5.3	3.6	5.6	3.7	5.9	3.8	6.2	3.7	6.2	3.4
	71	4.9	3.9	5.8	4.3	6.7	4.7	7.1	4.9	7.5	4.8	7.8	4.6	7.8	4.3
	80	5.5	4.4	6.6	4.9	7.5	5.3	8.0	5.5	8.4	5.5	8.8	5.2	8.8	4.8
	90	6.2	5.3	7.3	5.8	8.4	6.3	9.0	6.4	9.6	6.5	9.9	6.1	9.9	5.7
	112	7.7	6.4	9.1	7.1	10.5	7.7	11.2	7.8	11.9	8.1	12.5	7.8	12.5	7.4
	140	9.7	7.8	11.3	8.6	13.2	9.6	14.0	9.8	14.8	9.8	15.7	9.7	15.4	8.8

Abbreviations:

TC: Total capacity (kW); SHC: Sensible heat capacity (kW)

*Table 1-5.3: Selected indoor units*

	Room A	Room B	Room C	Room D
<b>Peak heat load (kW)</b>	10.6	10.7	5.1	5.1
<b>Selected indoor unit</b>	MI2-140T2DHN1	MI2-140T2DHN1	MI2-56T2DHN1	MI2-56T2DHN1
<b>Corrected TC (kW)</b>	13.2	13.2	5.3	5.3
	Room E	Room F	Room G	Room H
<b>Peak heat load (kW)</b>	9.1	9.0	4.2	4.2
<b>Selected indoor unit</b>	MI2-112T2DHN1	MI2-112T2DHN1	MI2-45T2DHN1	MI2-45T2DHN1
<b>Corrected TC (kW)</b>	10.5	10.5	4.2	4.2

### Step 3: Select outdoor unit

- Determine the required total heat load from the indoor units to the outdoor unit based on either the sum of the peak loads of each room or the system peak load. In this example, it is determined based on the system peak load. Therefore, the required heat load is 50.7kW.
- Provisionally select an outdoor unit using the sum of the capacity indexes (CIs) of the selected indoor units (as shown in Table 1-5.4), ensuring that the combination ratio is between 50% and 130%. Refer to Table 1-5.5. As the sum of CIs of the indoor units is 706, outdoor units from 20HP to 32HP are potentially suitable. Start from the smallest, which is the 20HP unit.

*Table 1-5.4: Sum of indoor unit capacity indexes*

Model	Capacity Index	No. of units
MI2-140T2DHN1	140	2
MI2-112T2DHN1	112	2
MI2-56T2DHN1	56	2
MI2-45T2DHN1	45	2
<b>Sum of CIs</b>	<b>706</b>	

Table 1-5.5: Extract from Table 1-5.2 Combinations of Indoor and outdoor units

Outdoor unit capacity			Sum of capacity indexes of connected indoor units (standard indoor units only)	Maximum number of connected indoor units
kW	HP	Capacity index		
50.0	18	500	250 to 650	29
56.0	20	560	280 to 728	33
61.5	22	615	307.5 to 799.5	36
67.0	24	670	335 to 871	39
73.0	26	730	365 to 949	43
78.5	28	785	392.5 to 1020.5	46
85.0	30	850	425 to 1105	50
90.0	32	900	450 to 1170	53

- The number of connected indoor units is 8 and the maximum number of connected indoor units on the 20HP outdoor unit is 33, so the number of connected indoor units is within the limitation.
- Calculate the corrected capacity of the outdoor unit:
  - a) The sum of the indoor unit CIs is 706 and the CI of the 20HP outdoor unit (MV6-i560WV2GN1) is 560, so the combination ratio is  $706 / 560 = 126\%$ .
  - b) Using the outdoor unit’s cooling capacity table, interpolate to obtain the capacity (“B”) corrected for outdoor air temperature, indoor air temperature, and combination ratio. Refer to Tables 1-5.6 and 1-5.7.

Table 1-5.6: Extract from Table 2-8.7 MV6-i560WV2GN1 cooling capacity

CR	Outdoor air temp. (°C DB)	Indoor air temp. (°C DB / °C WB)	
		25.8 / 18.0	
		TC	PI
		kW	kW
130%	31	61.3	14.33
	33	60.4	14.88
	35	59.5	15.46
120%	31	60.2	13.88
	33	59.3	14.44
	35	58.4	15.00

Table 1-5.7: Cooling capacity calculated by interpolation

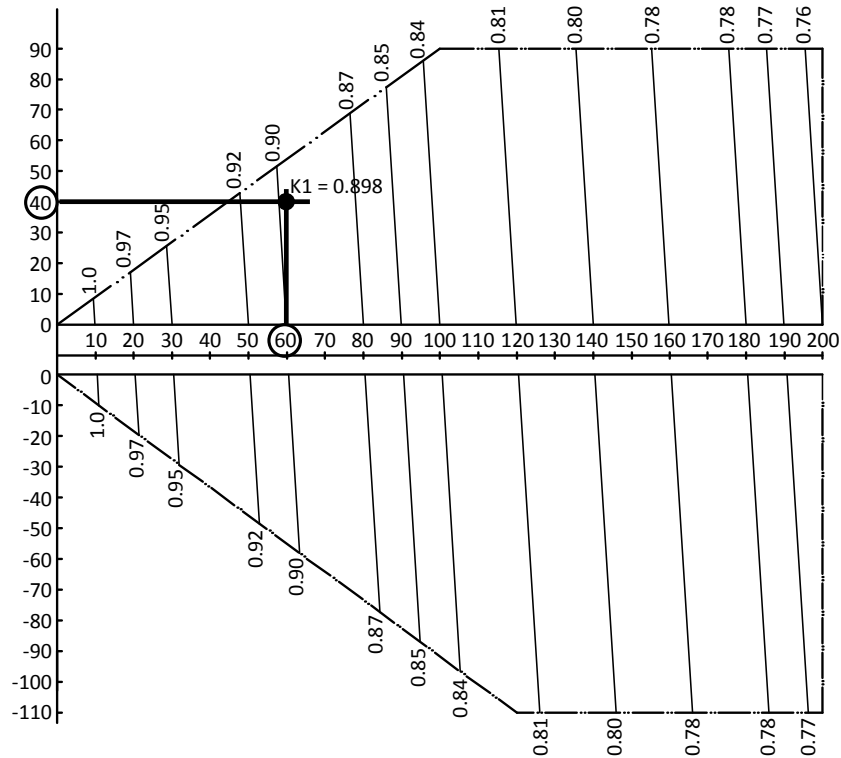
CR	Outdoor air temp. (°C DB)	Indoor air temp. (°C DB / °C WB)	
		25.8 / 18.0	
		TC	PI
		kW	kW
130%			
	33	60.4	14.88
	<b>B = 60<sup>1</sup></b>		
120%			
	33	59.3	14.44

Notes:

1.  $59.3 + (60.4 - 59.3) \times (126 - 120) / (130 - 120) = 60.$

c) Find the correction factor for piping length and level difference ("K1")

Figure 1-5.3: V6-i rate of change in cooling capacity



Notes:

1. The horizontal axis shows equivalent length of piping between farthest indoor unit and first outdoor branch joint; the vertical axis shows the largest level difference between indoor unit and outdoor unit. For level differences, positive values indicate that the outdoor unit is above the indoor unit, negative values indicate that the outdoor unit is below the indoor unit.

d) Calculate the corrected capacity of MV6-i560WV2GN1 ("C") by using K1:

$$C = B \times K1 = 60 \times 0.898 = 53.8\text{kW}$$

- The corrected capacity 53.8kW is larger than required total heat load 50.7kW, so selection is complete. (In the event that the corrected capacity is lower than the required total heat load, Step 3 should be repeated from the point where the outdoor unit capacity is provisionally selected.)

(This page is intentionally left blank)

# Part 2

# Outdoor Unit

# Engineering Data

1	Specifications .....	18
2	Dimensions.....	21
3	Installation Space Requirements.....	25
4	Piping Diagrams.....	26
5	Wiring Diagrams .....	30
6	Electrical Characteristics .....	32
7	Functional Components and Safety Devices.....	33
8	Capacity Tables .....	34
9	Operating Limits .....	192
10	Sound Levels.....	193
11	Accessories .....	195

## 1 Specifications

### 8-14HP

Table 2-1.1: 8-14HP specifications

HP			8	10	12	14
Model name			MV6-i252WV2GN1	MV6-i280WV2GN1	MV6-i335WV2GN1	MV6-i400WV2GN1
Power supply		V/Ph/Hz	380-415/3/50(60)			
Cooling <sup>1</sup>	Capacity	kW	25.2	28.0	33.5	40.0
		kBtu/h	86.0	95.5	114.3	136.5
	Power input	kW	5.5	6.7	8.9	11.0
	EER			4.55	4.20	3.75
Heating <sup>2</sup>	Capacity	kW	25.2	28.0	33.5	40.0
		kBtu/h	86.0	95.5	114.3	136.5
	Power input	kW	4.8	5.5	7.6	9.3
	COP			5.20	5.10	4.40
Connected indoor unit	Total capacity		50-130% of outdoor unit capacity			
	Maximum quantity		13	16	20	23
Compressor	Type		DC inverter			
	Quantity		1			
	Oil type		FV68H			
	Start-up method		Soft start			
Fan	Type		Propeller			
	Motor type		DC			
	Quantity		1			
	Motor output	kW	0.56	0.56	0.56	0.92
	Airflow rate	m <sup>3</sup> /h	11000	11000	11000	13000
	Drive type		Direct			
Refrigerant	Type		R410A			
	Factory charge	kg	11	11	11	13
Pipe connections <sup>3</sup>	Liquid pipe	mm	Φ12.7		Φ15.9	Φ15.9
	Gas pipe	mm	Φ25.4		Φ28.6	Φ31.8
Sound pressure level <sup>4</sup>		dB(A)	58		60	
Net dimensions (W×H×D)		mm	990×1635×790			1340×1635×850
Packed dimensions (W×H×D)		mm	1090×1805×860			1405×1805×910
Net weight		kg	227			277
Gross weight		kg	242			304
Ambient temp. operation range	Cooling	°C	-15 ~ 54			
	Heating	°C	-25 ~ 24			

Notes:

- Indoor air temperature 27°C DB, 19°C WB; outdoor air temperature 35°C DB; equivalent refrigerant piping length 7.5m with zero level difference.
- Indoor air temperature 20°C DB; outdoor air temperature 7°C DB, 6°C WB; equivalent refrigerant piping length 7.5m with zero level difference.
- Diameters given are those of the unit's stop valve.
- Sound pressure level is measured at a position 1m in front of the unit and 1.3m above the floor in a semi-anechoic chamber.

**16-22HP**

Table 2-1.2: 16-22HP specifications

HP			16	18	20	22
Model name			MV6-i450WV2GN1	MV6-i500WV2GN1	MV6-i560WV2GN1	MV6-i615WV2GN1
Power supply		V/Ph/Hz	380-415/3/50(60)			
Cooling <sup>1</sup>	Capacity	kW	45.0	50.0	56.0	61.5
		kBtu/h	153.5	170.6	191.1	209.8
	Power input	kW	12.9	14.7	16.0	20.2
	EER			3.50	3.40	3.50
Heating <sup>2</sup>	Capacity	kW	45.0	50.0	56.0	61.5
		kBtu/h	153.5	170.6	191.1	209.8
	Power input	kW	10.7	12.2	13.8	17.6
	COP			4.20	4.10	4.05
Connected indoor unit	Total capacity		50-130% of outdoor unit capacity			
	Maximum quantity		26	29	33	36
Compressor	Type		DC inverter			
	Quantity		1		2	
	Oil type		FV68H			
	Start-up method		Soft start			
Fan	Type		Propeller			
	Motor type		DC			
	Quantity		1		2	
	Motor output	kW	0.92	0.92	0.56×2	0.56×2
	Airflow rate	m <sup>3</sup> /h	13000	13000	17000	17000
	Drive type		Direct			
Refrigerant	Type		R410A			
	Factory charge	kg	13	13	17	17
Pipe connections <sup>3</sup>	Liquid pipe	mm	Φ15.9		Φ19.1	
	Gas pipe	mm	Φ31.8		Φ31.8	
Sound pressure level <sup>4</sup>		dB(A)	61	62	63	
Net dimensions (W×H×D)		mm	1340×1635×850		1340×1635×825	
Packed dimensions (W×H×D)		mm	1405×1805×910			
Net weight		kg	277	295	344	344
Gross weight		kg	304	322	364	364
Ambient temp. operation range	Cooling	°C	-15 ~ 54			
	Heating	°C	-25 ~ 24			

## Notes:

- Indoor air temperature 27°C DB, 19°C WB; outdoor air temperature 35°C DB; equivalent refrigerant piping length 7.5m with zero level difference.
- Indoor air temperature 20°C DB; outdoor air temperature 7°C DB, 6°C WB; equivalent refrigerant piping length 7.5m with zero level difference.
- Diameters given are those of the unit's stop valve.
- Sound pressure level is measured at a position 1m in front of the unit and 1.3m above the floor in a semi-anechoic chamber.



# V6-i VRF 50/60Hz



## 24-32HP

Table 2-1.3: 24-32HP specifications

HP			24	26	28	30	32
Model name			MV6-i670WV2GN1	MV6-i730WV2GN1	MV6-i785WV2GN1	MV6-i850WV2GN1	MV6-i900WV2GN1
Power supply		V/Ph/Hz	380-415/3/50(60)				
Cooling <sup>1</sup>	Capacity	kW	67.0	73.0	78.5	85.0	90.0
		kBtu/h	228.6	249.1	267.8	290.0	307.1
	Power input	kW	21.6	21.6	24.9	28.3	32.1
	EER			3.10	3.40	3.15	3.00
Heating <sup>2</sup>	Capacity	kW	67.0	73.0	78.5	85.0	90.0
		kBtu/h	228.6	249.1	267.8	290.0	307.1
	Power input	kW	16.8	18.1	21.8	24.3	26.5
	COP			4.00	4.05	3.60	3.50
Connected indoor unit	Total capacity		50-130% of outdoor unit capacity				
	Maximum quantity		39	43	46	50	53
Compressor	Type		DC inverter				
	Quantity		2				
	Oil type		FV68H				
	Start-up method		Soft start				
Fan	Type		Propeller				
	Motor type		DC				
	Quantity		2				
	Motor output	kW	0.92×2	0.92×2	0.92×2	0.92×2	0.92×2
	Airflow rate	m <sup>3</sup> /h	25000	25000	25000	24000	24000
	Drive type		Direct				
Refrigerant	Type		R410A				
	Factory charge	kg	22	22	22	25	25
Pipe connections <sup>3</sup>	Liquid pipe	mm	Φ19.1	Φ22.2		Φ22.2	
	Gas pipe	mm	Φ31.8	Φ31.8		Φ38.1	
Sound pressure level <sup>4</sup>		dB(A)	64				
Net dimensions (W×H×D)		mm	1730 × 1830 × 850				
Packed dimensions (W×H×D)		mm	1800×2000×910				
Net weight		kg	407	429		475	
Gross weight		kg	430	452		507	
Ambient temp. operation range	Cooling	°C	-15 ~ 54				
	Heating	°C	-25 ~ 24				

Notes:

- Indoor air temperature 27°C DB, 19°C WB; outdoor air temperature 35°C DB; equivalent refrigerant piping length 7.5m with zero level difference.
- Indoor air temperature 20°C DB; outdoor air temperature 7°C DB, 6°C WB; equivalent refrigerant piping length 7.5m with zero level difference.
- Diameters given are those of the unit's stop valve.
- Sound pressure level is measured at a position 1m in front of the unit and 1.3m above the floor in a semi-anechoic chamber.

## 2 Dimensions

### 8/10/12HP

Figure 2-2.1: 8/10/12 dimensions (unit: mm)

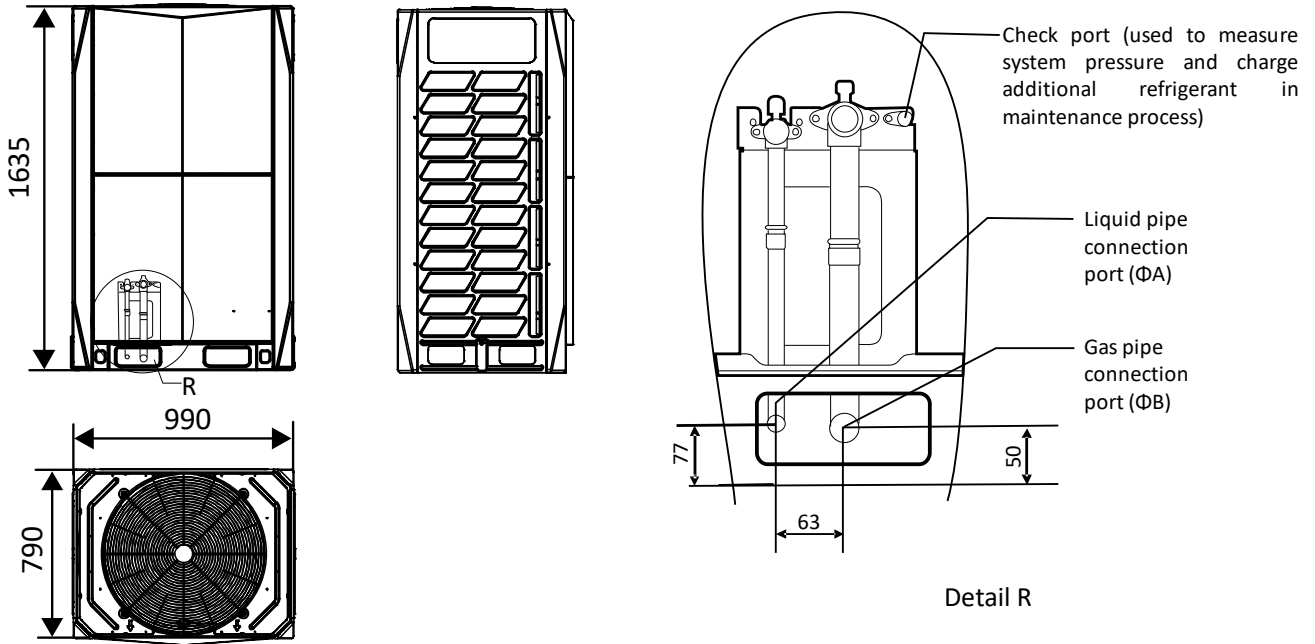


Table 2-2.1: 8/10/12HP connection piping diameter (unit: mm)

Size	8HP	10HP	12HP
A	Φ12.7	Φ12.7	Φ15.9
B	Φ25.4	Φ25.4	Φ28.6

# V6-i VRF 50/60Hz



14/16/18HP

Figure 2-2.2: 14/16/18HP dimensions (unit: mm)

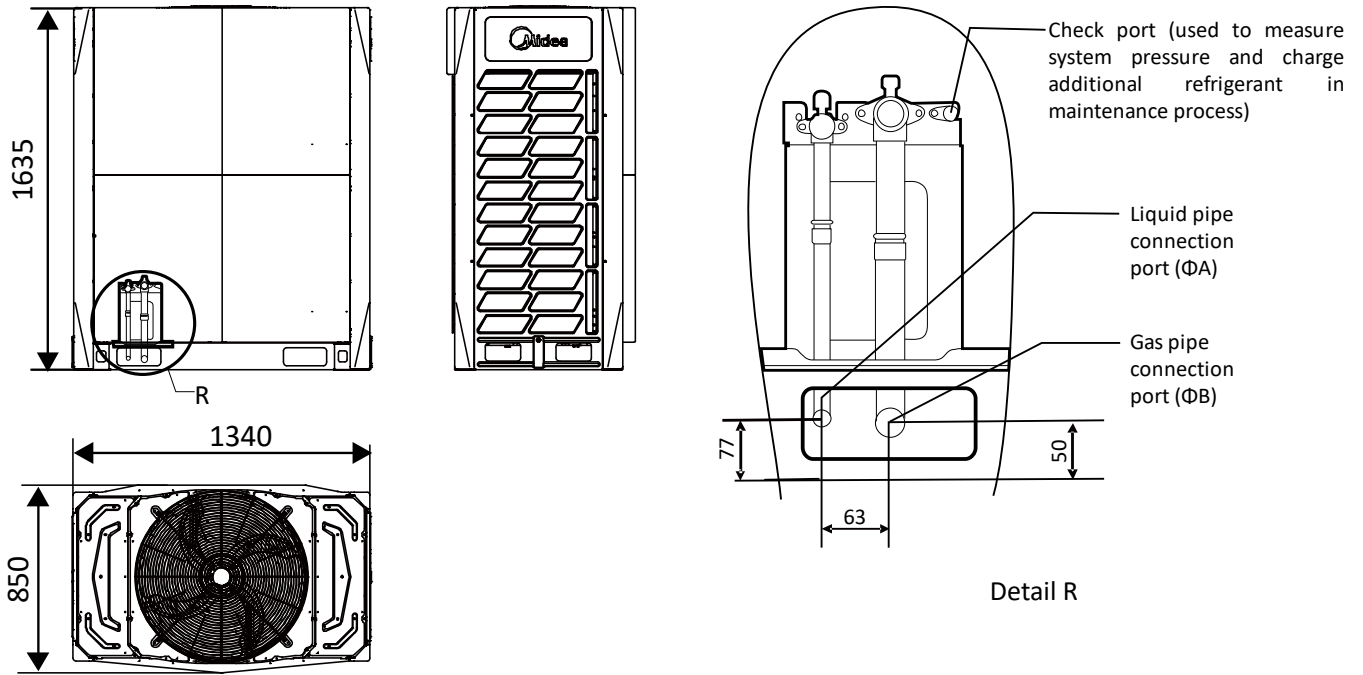


Table 2-2.2: 14/16/18HP connection piping diameter (unit: mm)

Size	14HP	16HP	18HP
A	Φ15.9	Φ15.9	Φ19.1
B	Φ31.8	Φ31.8	Φ31.8

**20/22HP**

Figure 2-2.3: 20/22HP dimensions (unit: mm)

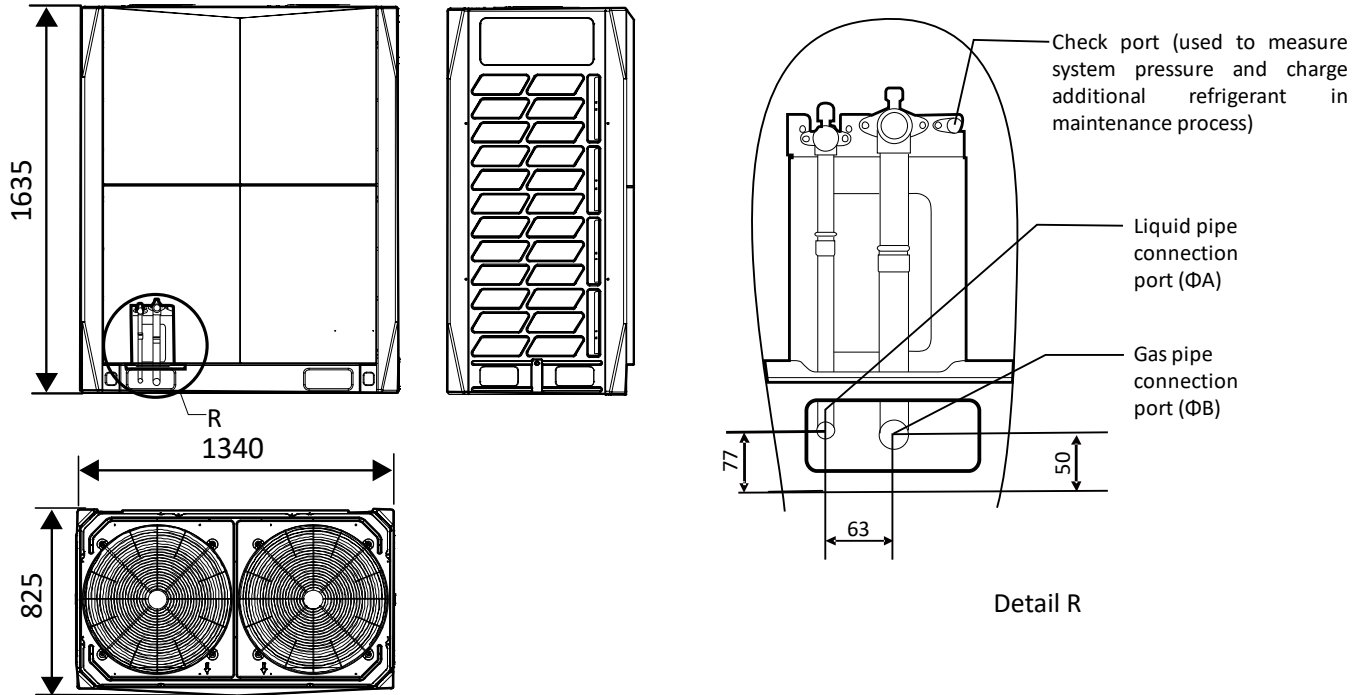


Table 2-2.3: 20/22HP connection piping diameter (unit: mm)

Size	20HP	22HP
A	Φ19.1	Φ19.1
B	Φ31.8	Φ31.8

# V6-i VRF 50/60Hz

24/26/28/30/32HP



Figure 2-2.4: 24/26/28/30/32HP dimensions (unit: mm)

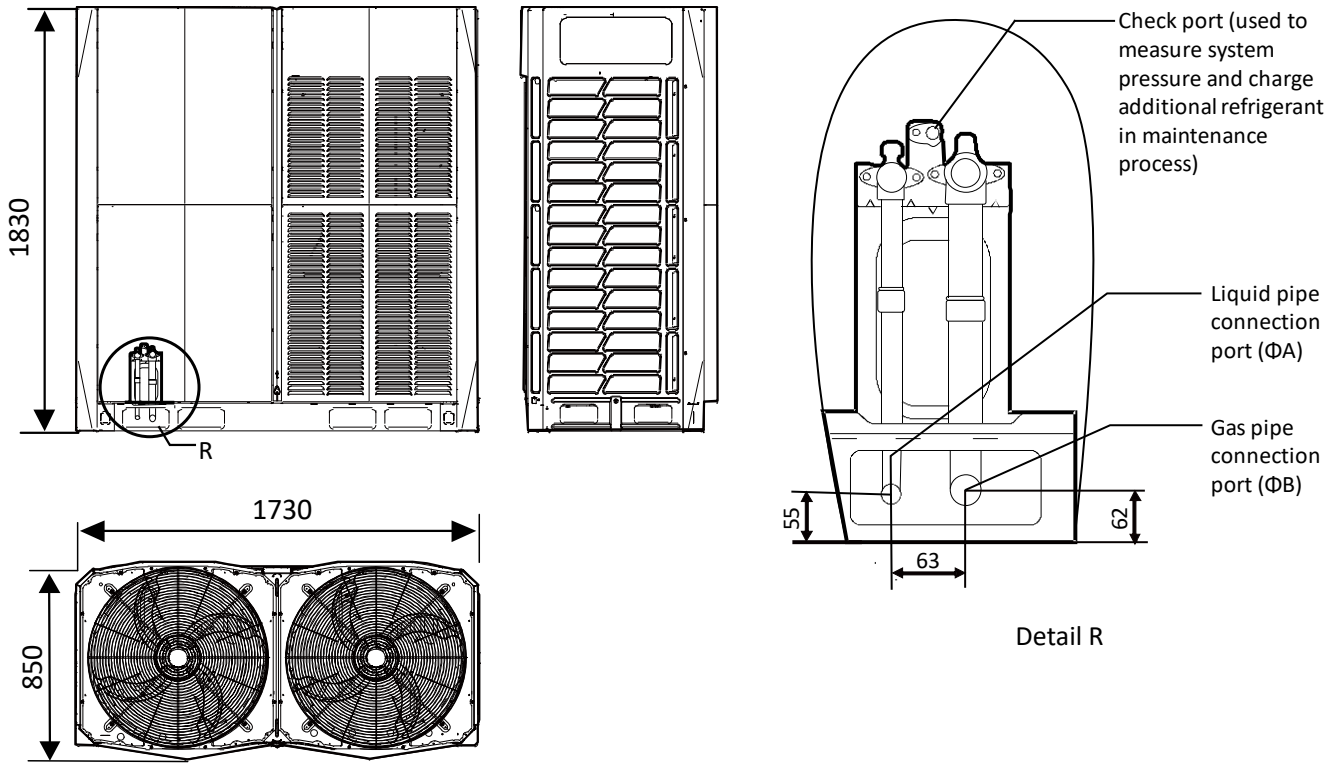


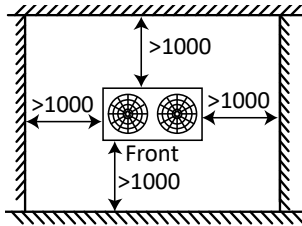
Table 2-2.4: 24/26/28/30/32HP connection piping diameter (unit: mm)

Size	24HP	26HP	28HP	30HP	32HP
A	Φ19.1	Φ22.2	Φ22.2	Φ22.2	Φ22.2
B	Φ31.8	Φ31.8	Φ31.8	Φ38.1	Φ38.1

### 3 Installation Space Requirements

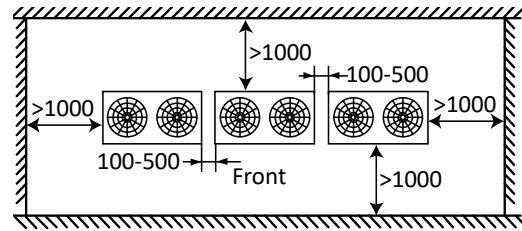
#### For single unit installation

Figure 2-3.1: Single unit installation (unit: mm)



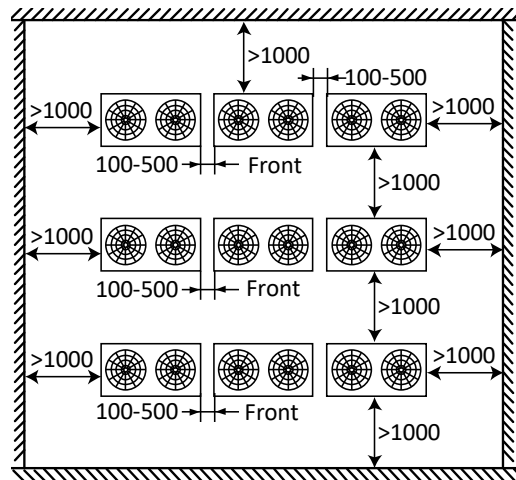
#### For single row installation

Figure 2-3.2: Single row installation (unit: mm)



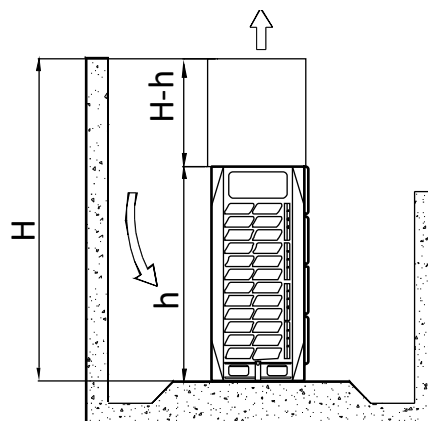
#### For multi-row installation

Figure 2-3.3: Multi-row installation (unit: mm)



Depending on the height of adjacent walls relative to the height of the units, ducting may be required to ensure proper air discharge. In the situation depicted in Figure 2-3.4, the vertical section of ducting should be at least  $H-h$  high.

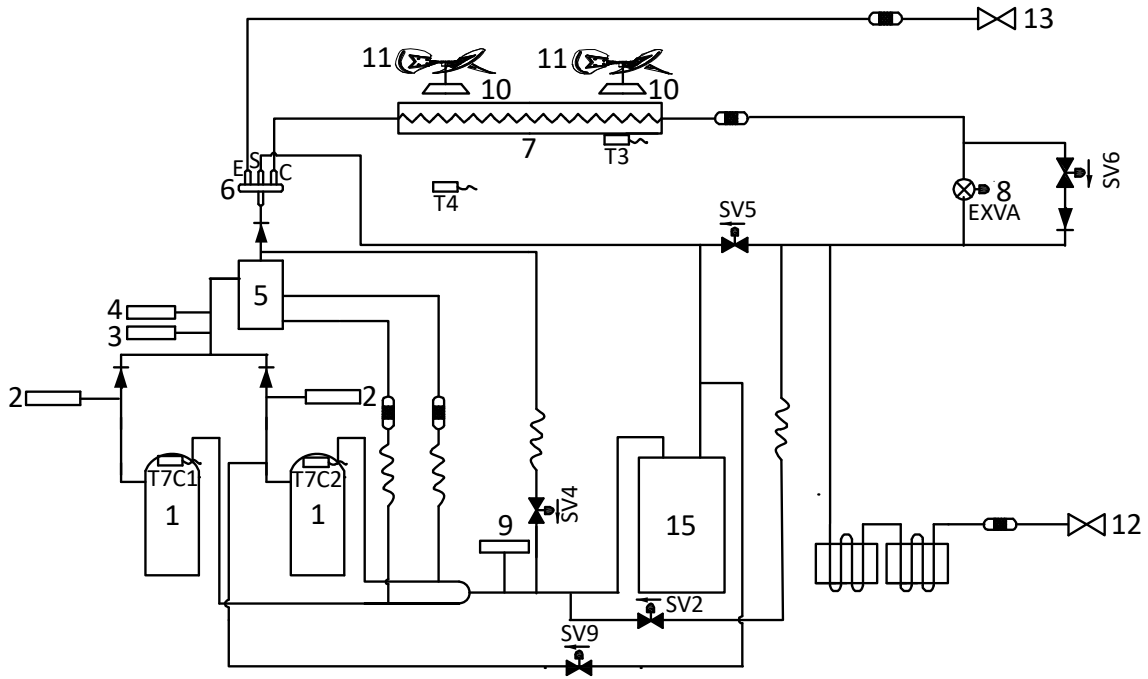
Figure 2-3.4: Top of unit below top of adjacent wall





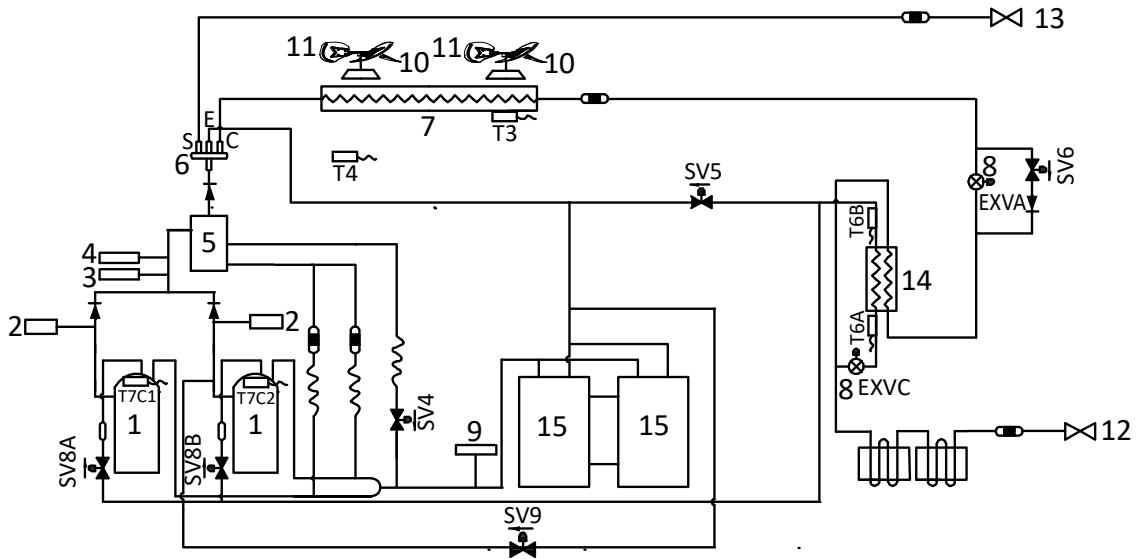
20/22/24HP

Figure 2-4.3: 20/22/24HP piping diagram



26/28HP

Figure 2-4.4: 26/28HP piping diagram



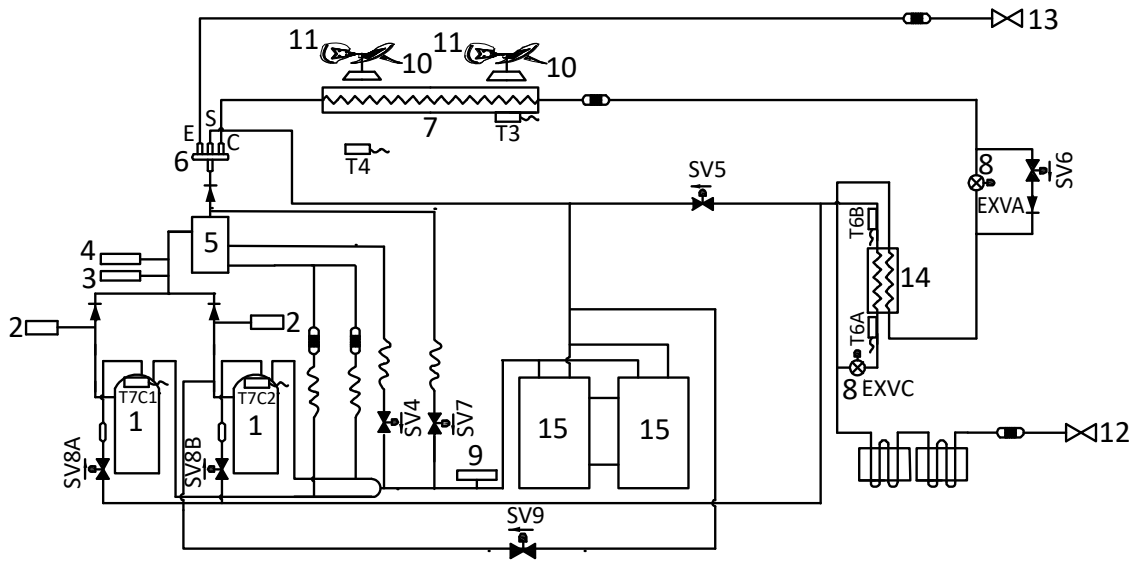


# V6-i VRF 50/60Hz

30/32HP



Figure 2-4.5: 30/32HP piping diagram



Legend		Legend	
No.	Parts name	No.	Parts name
1	Compressor	15	Accumulator
2	Discharge temperature switch	T3	Heat exchanger temperature sensor
3	High pressure switch	T4	Outdoor ambient temperature sensor
4	High pressure sensor	T6A	Plate heat exchanger inlet temperature sensor
5	Oil separator	T6B	Plate heat exchanger outlet temperature sensor
6	Four-way valve	T7C1	Compressor A discharge temperature sensor
7	Heat exchanger	T7C2	Compressor B discharge temperature sensor
8	Electronic expansion valve (EXV)	SV4	Oil return valve
9	Low pressure switch	SV5	Fast defrosting valve
10	Fan motor	SV6	Refrigerant bypass EXV valve
11	Fan	SV7	Refrigerant bypass indoor units valve
12	Stop valve (liquid side)	SV8A	Compressor A vapor injection valve
13	Stop valve (gas side)	SV8B	Compressor B vapor injection valve
14	Plate heat exchanger	SV9	Compressor B pressure balance valve

**Key components:**

1. **Oil separator:**  
Separates oil from gas refrigerant pumped out of the compressor and quickly returns it to the compressor. Separation efficiency is up to 99%.
2. **Accumulator:**  
Stores liquid refrigerant and oil to protect compressor from liquid hammering.
3. **Electronic expansion valve (EXV):**  
Controls refrigerant flow and reduces refrigerant pressure.
4. **Four-way valve:**  
Controls refrigerant flow direction. Closed in cooling mode and open in heating mode. When closed, the heat exchanger functions as a condenser; when open, the heat exchanger functions as an evaporator.
5. **Solenoid valve SV4:**  
Returns oil to the compressor. Opens once the compressor has run for 200 seconds and closes 600 seconds later and then opens for 3 minutes every 20 minutes.
6. **Solenoid valve SV5:**  
Enables fast defrosting. During defrosting operation, opens to shorten the refrigerant flow cycle and quicken the defrosting process. Closed in cooling mode.
7. **Solenoid valve SV6:**  
Allows refrigerant to bypass the expansion valves. Opens in cooling mode when discharge temperature exceeds the limit. Closed in heating mode and standby.
8. **Solenoid valve SV7:**  
Allows refrigerant to return directly to the compressor. Opens when indoor air temperature is close to the set temperature to avoid frequent compressor on/off.
9. **Solenoid valve SV8A / SV8B:**  
Allows refrigerant from plate heat exchanger inject directly to the compressor. SV8A opens when compressor A startup and closes when compressor A stop. SV8B delays opening when compressor B startup and closes when compressor B stop.
10. **Solenoid valve SV9:**  
Balances compressor B pressure. Opens before compressor B startup and closes after compressor B running for 15 seconds. Opens after compressor B stops 10s and keeps opening 60s.
11. **High and low pressure switches:**  
Regulate system pressure. When system pressure rises above the upper limit or falls below the lower limit, the high or low pressure switches turn off, stopping the compressor. After 10 minutes, the compressor restarts.

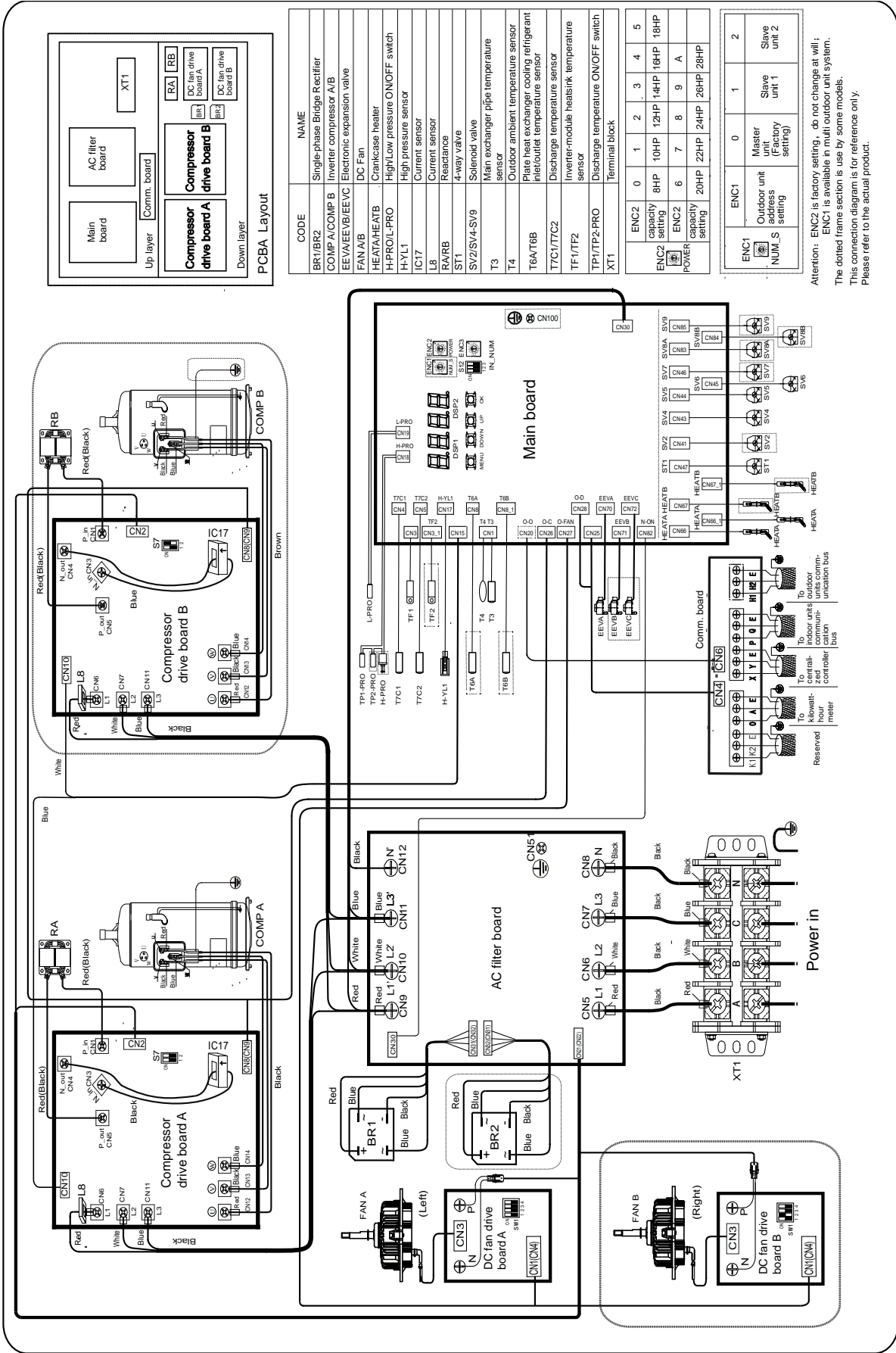
# V6-i VRF 50/60Hz



## 5 Wiring Diagrams

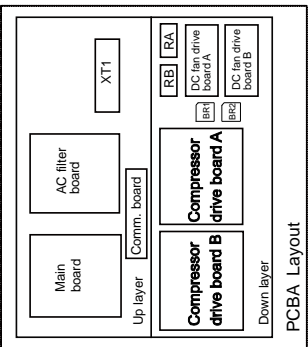
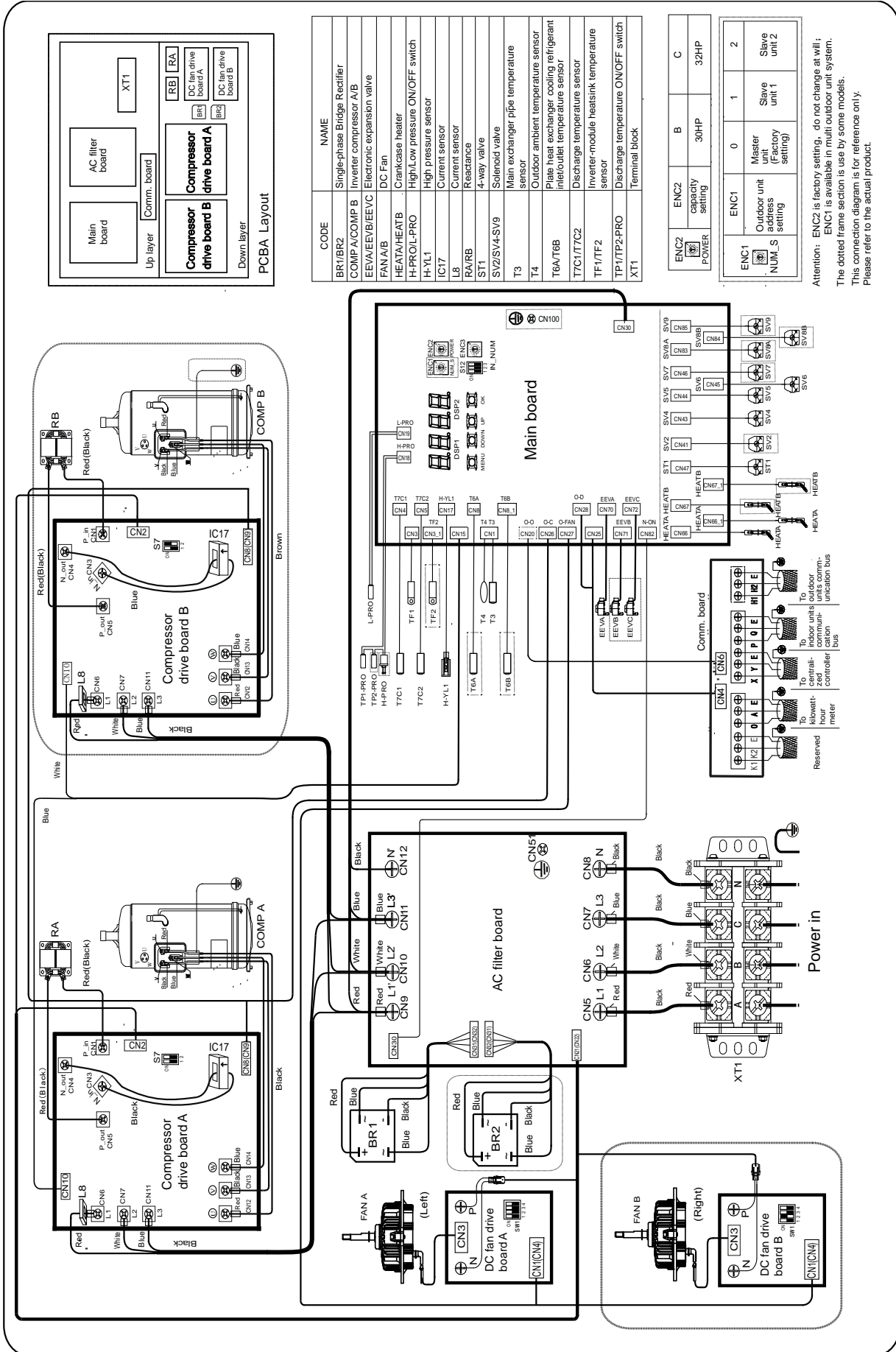
8/10/12/14/16/18/20/22/24/26/28HP

Figure 2-5.1: 8/10/12/14/16/18/20/22/24/26/28HP wiring diagram



30/32HP

Figure 2-5.2: 30/32HP wiring diagram



CODE	NAME
BR1/BR2	Single-phase Bridge Rectifier
COMP A/COMP B	Inverter compressor A/B
EEVA/EEB/EEVC	Electronic expansion valve
FAN A/B	DC Fan
HEATA/HEATB	Crankcase heater
H-PRO/L-PRO	High/Low pressure ON/OFF switch
H-YL1	High pressure sensor
IC17	Current sensor
LB	Current sensor
RA/RB	Reactance
ST1	4-way valve
SV2/SV4-SV9	Solenoid valve
T3	Main exchanger pipe temperature sensor
T4	Outdoor ambient temperature sensor
T6A/T6B	Plate heat exchanger cooling refrigerant inlet/outlet temperature sensor
TC1/TC2	Discharge temperature sensor
TF1/TF2	Inverter-module heatsink temperature sensor
TP1/TP2-PRO	Discharge temperature ON/OFF switch
XT1	Terminal block

ENC2 POWER	ENC2 capacity setting	B	C
ENC1	ENC1	0	1 2
	Outdoor unit address setting	Master unit (Factory setting)	Slave unit 1 Slave unit 2
	NUM_S		

Attention: ENC2 is factory setting, do not change at will;  
 ENC1 is available in multi outdoor unit system.  
 The dotted frame section is used by some models.  
 This connection diagram is for reference only.  
 Please refer to the actual product.

## 6 Electrical Characteristics

Table 2-6.1: Outdoor unit electrical characteristics

Capacity	Model	Power Supply <sup>1</sup>							Compressor		OFM	
		Hz	Volts	Min.	Max.	MCA <sup>2</sup>	TOCA <sup>3</sup>	MFA <sup>4</sup>	MSC <sup>5</sup>	RLA <sup>6</sup>	kW	FLA
				volts	volts							
8HP	MV6-i252WV2GN1	50/60	380~415	342	440	24	30.9	32	/	10	0.56	6.3
10HP	MV6-i280WV2GN1	50/60	380~415	342	440	25.2	30.9	32	/	10.6	0.56	6.3
12HP	MV6-i335WV2GN1	50/60	380~415	342	440	26.4	31.5	32	/	15.4	0.56	6.9
14HP	MV6-i400WV2GN1	50/60	380~415	342	440	33.1	40.3	40	/	25.8	0.92	7.3
16HP	MV6-i450WV2GN1	50/60	380~415	342	440	33.1	40.3	40	/	25.8	0.92	7.3
18HP	MV6-i500WV2GN1	50/60	380~415	342	440	34.8	41.2	40	/	26.2	0.92	8.2
20HP	MV6-i560WV2GN1	50/60	380~415	342	440	45.9	60.1	50	/	18+17	0.56×2	10.9
22HP	MV6-i615WV2GN1	50/60	380~415	342	440	47.9	60.1	63	/	19+18	0.56×2	10.9
24HP	MV6-i670WV2GN1	50/60	380~415	342	440	54.5	62.3	63	/	20.8+20.6	0.92×2	13.1
26HP	MV6-i730WV2GN1	50/60	380~415	342	440	52.9	62.3	63	/	20+19.8	0.92×2	13.1
28HP	MV6-i785WV2GN1	50/60	380~415	342	440	58.7	64.1	63	/	22+21.8	0.92×2	14.9
30HP	MV6-i850WV2GN1	50/60	380~415	342	440	64.9	72.5	80	/	20+30	0.92×2	14.9
32HP	MV6-i900WV2GN1	50/60	380~415	342	440	66.9	72.5	80	/	22+30	0.92×2	14.9

**Abbreviations:**

MCA: Minimum Circuit Amps; TOCA: Total Over-current Amps; MFA: Maximum Fuse Amps; MSC: Maximum Starting Current (A); RLA: Rated Load Amps; FLA: Full Load Amps

**Notes:**

1. Units are suitable for use on electrical systems where voltage supplied to unit terminals is not below or above listed range limits. Maximum allowable voltage variation between phases is 2%.
2. Select wire size based on the value of MCA.
3. TOCA indicates the total overcurrent amps value of each OC set.
4. MFA is used to select overcurrent circuit breakers and residual-current circuit breakers.
5. MSC indicates the maximum current on compressor start-up in amps.
6. RLA is based on the following conditions: indoor temperature 27°C DB, 19°C WB; outdoor temperature 35°C DB.

## 7 Functional Components and Safety Devices

Table 2-7.1: 8/10/12/14/16HP functional components and safety devices

Item		8HP	10HP	12HP	14HP	16HP
Compressor	Discharge temperature switch	Off: 115 (±5) °C / On: 75 (±15) °C				
	Compressor top and discharge pipe temperature sensors	90°C = 5kΩ ± 3%				
	Crankcase heater	30W × 2				
Inverter module	Inverter module temperature sensor	90°C = 5kΩ ± 5%				
Fan motor	Safety thermostat	On	115°C			
		Off	-			
System	High pressure switch	Off: 4.4 (±0.1) MPa / On: 3.2 (±0.1) MPa				
	Low pressure switch	Off: 0.05 (±0.05) MPa / On: 0.15 (±0.05) MPa				
	High pressure sensor	Output voltage (V) = 1.1603 × P + 0.5 (where P is the discharge pressure in MPa)				
	Heat exchanger temperature sensor	25°C = 10kΩ				
	Outdoor ambient temperature sensor	25°C = 10kΩ				

Table 2-7.2: 18/20/22/24HP functional components and safety devices

Item		18HP	20HP	22HP	24HP
Compressor	Discharge temperature switch	Off: 115 (±5) °C / On: 75 (±15) °C			
	Compressor top and discharge pipe temperature sensors	90°C = 5kΩ ± 3%			
	Crankcase heater	30W × 2	30W × 4		
Inverter module	Inverter module temperature sensor	90°C = 5kΩ ± 5%			
Fan motor	Safety thermostat	On	115°C		
		Off	-		
System	High pressure switch	Off: 4.4 (±0.1) MPa / On: 3.2 (±0.1) MPa			
	Low pressure switch	Off: 0.05 (±0.05) MPa / On: 0.15 (±0.05) MPa			
	High pressure sensor	Output voltage (V) = 1.1603 × P + 0.5 (where P is the discharge pressure in MPa)			
	Heat exchanger temperature sensor	25°C = 10kΩ			
	Outdoor ambient temperature sensor	25°C = 10kΩ			

Table 2-7.3: 26/28/30/32HP functional components and safety devices

Item		26HP	28HP	30HP	32HP
Compressor	Discharge temperature switch	Off: 115 (±5) °C / On: 75 (±15) °C			
	Compressor top and discharge pipe temperature sensors	90°C = 5kΩ ± 3%			
	Crankcase heater	30W × 4			
Inverter module	Inverter module temperature sensor	90°C = 5kΩ ± 5%			
Fan motor	Safety thermostat	On	115°C		
		Off	-		
System	High pressure switch	Off: 4.4 (±0.1) MPa / On: 3.2 (±0.1) MPa			
	Low pressure switch	Off: 0.05 (±0.05) MPa / On: 0.15 (±0.05) MPa			
	High pressure sensor	Output voltage (V) = 1.1603 × P + 0.5 (where P is the discharge pressure in MPa)			
	Heat exchanger temperature sensor	25°C = 10kΩ			
	Outdoor ambient temperature sensor	25°C = 10kΩ			

## 8 Capacity Tables

### 8.1 Cooling Capacity Tables

Table 2-8.1: 8HP cooling capacity

CR	Outdoor air temp. (°CDB)	Indoor air temp. (°C DB/WD)													
		20.8/14		23.3/16		25.8/18		27/19		28.2/20		30.7/22		32/24	
		TC kW	PI kW	TC kW	PI kW	TC kW	PI kW	TC kW	PI kW	TC kW	PI kW	TC kW	PI kW	TC kW	PI kW
130%	-5	22.8	2.29	27.7	2.57	31.3	2.77	32.2	3.00	34.4	3.21	35.4	3.49	35.7	3.51
	-2	22.8	2.29	27.7	2.62	31.3	2.77	32.5	3.02	34.4	3.21	35.4	3.53	35.7	3.55
	0	22.8	2.33	27.7	2.67	31.3	2.88	32.5	3.20	34.4	3.39	35.4	3.58	35.7	3.59
	2	22.8	2.37	27.7	2.68	31.3	2.98	32.5	3.38	34.4	3.43	35.4	3.60	35.7	3.65
	4	22.8	2.42	27.7	2.73	31.3	3.10	32.5	3.40	34.4	3.48	35.4	3.60	35.7	3.72
	6	22.8	2.47	27.7	2.79	31.3	3.22	32.5	3.43	33.8	3.59	34.4	3.60	35.7	3.74
	8	22.8	2.53	27.7	2.86	31.3	3.39	32.5	3.60	33.5	3.70	34.0	3.62	35.3	3.78
	10	22.8	2.58	27.7	2.93	31.3	3.53	32.5	3.72	33.2	3.73	33.9	3.73	34.8	3.89
	12	22.8	2.63	27.7	2.99	31.3	3.60	32.1	3.77	32.7	3.83	33.6	3.80	34.5	3.91
	14	22.8	2.68	27.7	3.05	31.1	3.62	31.9	3.79	32.3	3.86	33.4	3.86	34.0	4.00
	16	22.8	2.73	27.7	3.12	30.7	3.72	31.3	3.86	31.9	3.94	33.1	3.95	33.7	4.06
	18	22.8	2.78	27.7	3.19	30.3	3.77	30.8	3.91	31.5	4.05	32.9	4.09	33.4	4.12
	20	22.8	2.84	27.7	3.40	30.0	3.97	30.3	4.11	31.1	4.24	32.7	4.28	33.1	4.33
	21	22.8	2.92	27.7	3.53	29.8	4.07	30.4	4.21	30.7	4.34	32.4	4.39	32.8	4.43
	23	22.8	3.13	27.7	3.80	29.3	4.27	29.8	4.40	30.3	4.54	32.2	4.58	32.4	4.63
	25	22.8	3.34	27.7	4.09	28.8	4.46	29.3	4.60	29.9	4.74	31.9	4.79	32.1	4.83
	27	22.8	3.57	27.7	4.39	28.5	4.66	28.9	4.90	29.4	4.94	31.7	4.99	31.8	5.05
	29	22.8	3.81	27.7	4.71	28.0	4.85	28.5	5.16	29.0	5.14	31.5	5.20	31.5	5.25
	31	22.8	4.06	26.8	5.00	27.6	5.06	28.1	5.41	28.6	5.34	31.2	5.40	31.2	5.46
	33	22.8	4.33	26.3	5.19	27.2	5.25	27.6	5.71	28.2	5.54	31.0	5.60	30.9	5.67
	35	22.8	4.61	25.9	5.39	26.8	5.46	27.2	5.72	27.8	5.75	30.8	5.82	30.6	5.88
	37	22.8	4.91	25.5	5.63	26.3	5.66	26.8	5.81	27.4	5.96	30.5	6.03	30.2	6.10
	39	22.8	5.23	25.1	5.86	25.9	5.88	26.4	6.01	27.2	6.16	30.3	6.23	29.9	6.31
	41	22.8	5.50	24.8	6.08	25.6	6.11	26.0	6.21	26.4	6.33	27.3	6.40	29.6	6.48
	43	22.8	5.72	24.6	6.30	25.5	6.50	25.6	6.59	26.2	6.66	26.8	6.72	29.3	6.78
45	22.8	5.94	24.5	6.58	25.2	6.78	25.2	6.91	25.8	6.97	26.0	7.02	29.0	7.17	
48	22.8	6.72	24.3	6.90	24.9	7.07	24.7	7.24	25.4	7.41	25.3	7.58	28.7	7.75	
50	22.8	7.51	23.6	7.69	24.4	7.86	24.3	8.03	25.0	8.20	23.8	8.37	28.3	8.54	
52	22.8	8.30	23.2	8.47	24.1	8.65	23.9	8.82	24.5	8.99	22.7	9.16	28.0	9.33	
54	22.8	9.09	22.8	9.26	23.7	9.43	23.5	9.61	24.1	9.78	21.5	9.95	27.7	10.12	
120%	-5	21.3	2.21	24.8	2.39	28.8	2.77	31.3	3.11	32.8	3.31	33.6	3.60	34.3	3.70
	-2	21.3	2.23	24.8	2.42	28.8	2.80	31.3	3.13	32.8	3.36	33.6	3.63	34.3	3.71
	0	21.3	2.25	24.8	2.44	28.8	2.84	31.3	3.14	32.8	3.39	33.6	3.65	34.3	3.72
	2	21.3	2.26	24.8	2.47	28.8	2.86	31.3	3.17	32.8	3.40	33.6	3.68	34.3	3.73
	4	21.3	2.28	24.8	2.50	28.8	2.90	31.3	3.21	32.8	3.45	33.6	3.69	34.3	3.74
	6	21.3	2.30	24.8	2.52	28.8	2.94	31.3	3.24	32.8	3.49	33.6	3.72	34.3	3.75
	8	21.3	2.33	24.8	2.55	28.8	2.99	31.3	3.29	32.8	3.53	33.6	3.73	34.3	3.77
	10	21.3	2.35	24.8	2.59	28.8	3.02	31.3	3.36	32.8	3.53	33.6	3.74	34.3	3.79
	12	21.3	2.40	24.8	2.64	28.8	3.09	31.3	3.42	32.4	3.55	33.1	3.72	33.8	3.81
	14	21.3	2.44	24.8	2.70	28.8	3.16	31.3	3.50	31.9	3.57	32.7	3.78	33.5	3.86
	16	21.3	2.49	24.8	2.76	28.8	3.22	31.3	3.55	31.5	3.63	32.3	3.85	33.0	3.92
	18	21.3	2.53	24.8	2.82	28.8	3.34	30.7	3.66	31.1	3.73	31.8	3.94	32.6	3.98
	20	21.3	2.59	24.8	2.94	28.8	3.63	30.3	3.85	30.7	3.93	31.4	4.13	32.2	4.17
	21	21.3	2.61	24.8	3.06	28.8	3.77	29.8	4.09	30.4	4.02	31.3	4.23	32.0	4.28
	23	21.3	2.79	24.8	3.30	28.8	4.07	29.2	4.42	30.1	4.22	30.8	4.44	31.5	4.47
	25	21.3	2.98	24.8	3.55	28.3	4.26	28.8	4.61	29.6	4.42	30.4	4.63	31.2	4.68
	27	21.3	3.18	24.8	3.81	28.0	4.45	28.4	4.91	29.2	4.62	30.0	4.84	30.7	4.88
	29	21.3	3.39	24.8	4.09	27.5	4.65	27.9	5.12	28.8	4.82	29.5	5.04	30.3	5.08
	31	21.3	3.62	24.8	4.39	27.1	4.85	27.5	5.37	28.4	5.02	29.2	5.24	29.9	5.30
	33	21.3	3.85	24.8	4.70	26.7	5.05	27.1	5.60	28.0	5.22	28.7	5.45	29.4	5.50
	35	21.3	4.10	24.8	5.03	26.3	5.24	26.6	5.67	27.6	5.42	28.3	5.65	29.1	5.71
	37	21.3	4.37	24.8	5.37	25.9	5.45	26.3	5.71	26.9	5.74	27.9	5.85	28.6	5.92
	39	21.3	4.65	24.7	5.69	25.4	5.65	25.8	5.74	26.4	5.83	27.5	6.06	28.2	6.13
	41	21.3	4.90	24.5	5.73	25.2	5.84	25.6	6.01	25.9	6.03	26.8	6.27	27.4	6.33
	43	21.3	5.12	24.3	5.78	25.0	6.01	25.4	6.14	25.7	6.23	26.3	6.47	27.0	6.54
45	21.3	5.33	24.2	5.83	24.8	6.13	25.1	6.36	25.5	6.44	25.8	6.68	26.8	6.75	
48	21.3	6.12	24.1	6.29	24.6	6.46	24.9	6.63	25.3	6.80	25.3	6.97	26.5	7.14	
50	21.3	6.90	23.9	7.07	24.3	7.24	24.6	7.41	24.9	7.58	24.7	7.75	25.9	7.92	
52	21.3	7.68	23.8	7.85	24.0	8.02	24.3	8.19	24.6	8.36	24.2	8.53	25.5	8.70	
54	21.3	8.47	23.6	8.64	23.8	8.81	24.1	8.98	24.3	9.15	23.7	9.32	25.1	9.49	

Abbreviations:

CR: Combination ratio

TC: Total capacity (kW)

PI: Power input (compressor + outdoor fan motor) (kW)

Notes:

1. Shaded cells indicate rating condition.

Table continued on next page ...



Table 2-8.1: 8HP cooling capacity (continued)

CR	Outdoor air temp. (°CDB)	Indoor air temp. (°C DB/WD)													
		20.8/14		23.3/16		25.8/18		27/19		28.2/20		30.7/22		32/24	
		TC	PI	TC	PI	TC	PI	TC	PI	TC	PI	TC	PI	TC	PI
		kW	kW	kW	kW	kW	kW	kW	kW	kW	kW	kW	kW	kW	kW
110%	-5	19.7	1.93	22.8	2.18	27.5	2.59	28.4	2.91	30.6	3.20	32.9	3.33	33.7	3.55
	-2	19.7	1.97	22.8	2.21	27.5	2.61	28.4	2.94	30.6	3.23	32.9	3.36	33.7	3.57
	0	19.7	1.99	22.8	2.22	27.5	2.63	28.4	2.96	30.6	3.26	32.9	3.40	33.7	3.61
	2	19.7	2.03	22.8	2.25	27.5	2.68	28.4	2.99	30.6	3.30	32.9	3.45	33.7	3.65
	4	19.7	2.07	22.8	2.28	27.5	2.71	28.4	3.03	30.6	3.35	32.9	3.50	33.7	3.69
	6	19.7	2.09	22.8	2.30	27.5	2.74	28.4	3.08	30.6	3.39	32.9	3.53	33.7	3.74
	8	19.7	2.11	22.8	2.34	27.5	2.77	28.4	3.12	30.6	3.43	32.9	3.56	33.7	3.78
	10	19.7	2.14	22.8	2.38	27.5	2.81	28.4	3.18	30.6	3.49	32.9	3.59	33.7	3.82
	12	19.7	2.18	22.8	2.43	27.5	2.87	28.4	3.24	30.6	3.56	32.6	3.64	33.2	3.87
	14	19.7	2.22	22.8	2.48	27.5	2.93	28.4	3.30	30.6	3.62	32.1	3.67	32.8	3.89
	16	19.7	2.26	22.8	2.53	27.5	2.99	28.4	3.37	30.6	3.70	31.7	3.71	32.4	3.94
	18	19.7	2.30	22.8	2.58	27.5	3.06	28.4	3.47	30.6	3.88	31.3	3.91	32.0	4.06
	20	19.7	2.35	22.8	2.64	27.5	3.26	28.4	3.74	30.2	4.08	30.9	4.11	31.5	4.26
	21	19.7	2.37	22.8	2.73	27.5	3.39	28.4	4.03	30.0	4.18	30.6	4.21	31.4	4.36
	23	19.7	2.48	22.8	2.94	27.5	3.65	28.4	4.29	29.5	4.36	30.3	4.41	30.9	4.56
	25	19.7	2.65	22.8	3.16	27.5	3.92	28.4	4.58	29.2	4.56	29.8	4.61	30.5	4.76
	27	19.7	2.82	22.8	3.39	27.5	4.22	28.1	4.80	28.7	4.76	29.4	4.80	30.1	4.96
	29	19.7	3.01	22.8	3.63	27.5	4.53	27.5	5.08	28.3	4.96	29.0	5.01	29.7	5.16
	31	19.7	3.21	22.8	3.89	27.5	4.85	27.0	5.36	27.9	5.16	28.6	5.20	29.2	5.37
	33	19.7	3.41	22.8	4.16	27.5	5.13	26.9	5.57	27.5	5.35	28.1	5.41	28.9	5.57
	35	19.7	3.63	22.8	4.45	26.1	5.33	26.2	5.64	27.0	5.56	27.7	5.61	28.4	5.78
	37	19.7	3.98	22.8	4.75	25.4	5.53	25.9	5.67	26.6	5.75	27.3	5.81	28.0	5.98
	39	19.7	4.31	22.8	5.07	25.0	5.73	25.4	5.87	26.1	5.96	26.9	6.02	27.6	6.19
	41	19.7	4.65	22.8	5.12	24.5	5.77	25.1	5.91	25.7	6.00	26.0	6.09	26.8	6.23
43	19.7	4.99	22.8	5.19	24.0	5.81	24.9	5.96	25.3	6.04	25.8	6.25	26.4	6.36	
45	19.7	5.28	22.8	5.37	23.6	5.93	24.4	6.08	24.8	6.16	25.1	6.38	25.8	6.57	
48	19.7	6.05	22.8	6.22	23.1	6.39	24.1	6.56	24.4	6.73	24.8	6.90	25.2	7.07	
50	19.7	6.83	22.2	7.00	22.7	7.17	23.7	7.34	24.0	7.51	24.3	7.68	24.7	7.85	
52	19.7	7.61	21.7	7.78	22.2	7.95	23.4	8.12	23.5	8.29	23.8	8.46	24.1	8.63	
54	19.7	8.39	21.2	8.56	21.8	8.73	23.0	8.90	23.1	9.07	23.3	9.24	23.6	9.40	
100%	-5	17.7	1.98	20.8	2.16	24.8	2.38	25.2	2.80	27.3	2.73	31.4	3.02	32.4	3.34
	-2	17.7	2.01	20.8	2.19	24.8	2.43	25.2	2.82	27.3	2.77	31.4	3.06	32.4	3.36
	0	17.7	2.03	20.8	2.22	24.8	2.47	25.2	2.86	27.3	2.80	31.4	3.12	32.4	3.40
	2	17.7	2.06	20.8	2.24	24.8	2.53	25.2	2.89	27.3	2.83	31.4	3.17	32.4	3.45
	4	17.7	2.08	20.8	2.28	24.8	2.56	25.2	2.93	27.3	2.87	31.4	3.20	32.4	3.49
	6	17.7	2.13	20.8	2.32	24.8	2.60	25.2	2.99	27.3	2.91	31.4	3.25	32.4	3.55
	8	17.7	2.16	20.8	2.36	24.8	2.65	25.2	3.05	27.3	2.96	31.4	3.31	32.4	3.61
	10	17.7	2.20	20.8	2.41	24.8	2.69	25.2	3.09	27.3	3.02	31.4	3.37	32.4	3.66
	12	17.7	2.25	20.8	2.46	24.8	2.80	25.2	3.16	27.3	3.08	31.4	3.43	31.9	3.69
	14	17.7	2.29	20.8	2.51	24.8	2.93	25.2	3.36	27.3	3.14	31.4	3.51	31.6	3.74
	16	17.7	2.34	20.8	2.57	24.8	3.00	25.2	3.44	27.3	3.21	30.5	3.55	31.1	3.78
	18	17.7	2.38	20.8	2.62	24.8	3.11	25.2	3.58	27.3	3.28	30.1	3.68	30.7	3.88
	20	17.7	2.44	20.8	2.71	24.8	3.37	25.2	3.82	27.3	3.52	29.7	3.87	30.3	4.07
	21	17.7	2.46	20.8	2.83	24.8	3.61	25.2	4.05	27.3	3.65	29.5	3.96	30.1	4.17
	23	17.7	2.63	20.8	3.05	24.8	3.89	25.2	4.33	27.3	3.93	29.1	4.16	29.7	4.36
	25	17.7	2.82	20.8	3.29	24.8	4.19	25.2	4.55	27.3	4.22	28.7	4.35	29.3	4.56
	27	17.7	3.01	20.8	3.54	24.8	4.44	25.2	4.82	27.3	4.52	28.2	4.55	28.9	4.76
	29	17.7	3.22	20.8	3.80	24.8	4.77	25.2	4.96	27.2	4.81	27.9	4.91	28.5	4.95
	31	17.7	3.44	20.8	4.07	24.8	5.11	25.2	5.06	26.9	5.01	27.4	5.09	28.0	5.15
	33	17.7	3.67	20.8	4.36	24.8	5.35	25.2	5.20	26.4	5.20	27.1	5.28	27.7	5.35
	35	17.7	3.91	20.8	4.68	24.8	5.46	25.2	5.54	26.0	5.55	26.6	5.60	27.2	5.66
	37	17.7	4.17	20.8	5.01	24.8	5.50	24.9	5.79	25.7	5.87	26.2	5.95	26.8	6.03
	39	17.7	4.44	20.8	5.35	24.8	5.60	24.6	6.02	25.4	6.12	25.8	6.24	26.4	6.29
	41	17.7	4.61	20.8	5.56	24.8	5.68	24.2	6.23	25.0	6.36	24.9	6.42	26.0	6.49
43	17.7	4.78	20.8	5.67	24.8	5.87	24.2	6.53	24.7	6.63	25.0	6.75	25.1	6.80	
45	17.7	5.00	20.8	5.82	24.8	6.24	24.0	6.94	24.3	7.33	24.8	7.70	24.7	7.84	
48	17.7	5.76	20.8	6.21	24.8	6.65	23.7	7.48	24.0	7.92	24.2	8.37	24.3	8.81	
50	17.7	6.53	20.8	6.97	24.8	7.41	23.5	7.86	23.6	8.30	23.9	8.74	24.0	9.19	
52	17.7	7.29	20.8	7.73	24.8	8.18	23.3	8.62	23.3	9.06	23.5	9.51	23.6	9.95	
54	17.7	8.06	20.8	8.50	24.8	8.94	23.1	9.39	22.9	9.83	23.1	10.27	23.2	10.71	

**Abbreviations:**

CR: Combination ratio

TC: Total capacity (kW)

PI: Power input (compressor + outdoor fan motor) (kW)

**Notes:**

- Shaded cells indicate rating condition.

Table continued on next page ...



Table 2-8.1: 8HP cooling capacity (continued)

CR	Outdoor air temp. (°CDB)	Indoor air temp. (°C DB/WD)													
		20.8/14		23.3/16		25.8/18		27/19		28.2/20		30.7/22		32/24	
		TC kW	PI kW	TC kW	PI kW	TC kW	PI kW	TC kW	PI kW	TC kW	PI kW	TC kW	PI kW	TC kW	PI kW
90%	-5	15.4	1.59	18.3	1.73	21.3	1.91	22.8	2.24	24.7	2.18	28.1	2.42	30.2	2.67
	-2	15.4	1.61	18.3	1.75	21.3	1.94	22.8	2.26	24.7	2.22	28.1	2.45	30.2	2.69
	0	15.4	1.63	18.3	1.77	21.3	1.98	22.8	2.29	24.7	2.24	28.1	2.50	30.2	2.72
	2	15.4	1.65	18.3	1.79	21.3	2.02	22.8	2.31	24.7	2.26	28.1	2.54	30.2	2.76
	4	15.4	1.67	18.3	1.83	21.3	2.05	22.8	2.34	24.7	2.30	28.1	2.56	30.2	2.79
	6	15.4	1.70	18.3	1.85	21.3	2.08	22.8	2.39	24.7	2.33	28.1	2.60	30.2	2.84
	8	15.4	1.73	18.3	1.89	21.3	2.12	22.8	2.44	24.7	2.37	28.1	2.65	30.2	2.89
	10	15.4	1.76	18.3	1.93	21.3	2.16	22.8	2.47	24.7	2.42	28.1	2.69	30.2	2.93
	12	15.4	1.80	18.3	1.97	21.3	2.24	22.8	2.52	24.7	2.47	28.1	2.75	30.2	2.95
	14	15.4	1.83	18.3	2.01	21.3	2.34	22.8	2.68	24.7	2.51	28.1	2.81	30.2	2.99
	16	15.4	1.87	18.3	2.06	21.3	2.40	22.8	2.75	24.7	2.57	28.1	2.84	30.2	3.02
	18	15.4	1.91	18.3	2.10	21.3	2.49	22.8	2.86	24.7	2.62	28.1	2.94	30.2	3.10
	20	15.4	1.95	18.3	2.17	21.3	2.70	22.8	3.06	24.7	2.82	28.1	3.09	30.2	3.26
	21	15.4	1.97	18.3	2.26	21.3	2.89	22.8	3.24	24.7	2.92	28.1	3.17	30.2	3.33
	23	15.4	2.10	18.3	2.44	21.3	3.11	22.8	3.47	24.7	3.14	28.1	3.33	30.2	3.49
	25	15.4	2.25	18.3	2.63	21.3	3.35	22.8	3.64	24.7	3.37	28.1	3.48	30.2	3.64
	27	15.4	2.41	18.3	2.83	21.3	3.55	22.8	3.86	24.7	3.62	28.1	3.64	30.2	3.81
	29	15.4	2.58	18.3	3.04	21.3	3.82	22.8	3.97	24.7	3.85	28.1	3.93	30.2	3.96
	31	15.4	2.75	18.3	3.26	21.3	4.08	22.8	4.04	24.7	4.01	28.1	4.07	30.2	4.12
	33	15.4	2.94	18.3	3.49	21.3	4.28	22.8	4.16	24.7	4.16	28.1	4.22	30.2	4.28
	35	15.4	3.13	18.3	3.74	21.3	4.37	22.8	4.43	24.7	4.44	28.1	4.48	30.2	4.53
37	15.4	3.34	18.3	4.00	21.3	4.40	22.8	4.63	24.7	4.70	28.1	4.76	30.2	4.82	
39	15.4	3.55	18.3	4.28	21.3	4.48	22.8	4.71	24.7	4.90	28.1	4.99	30.2	5.03	
41	15.4	3.69	18.3	4.45	21.3	4.54	22.8	4.79	24.7	5.09	28.1	5.14	30.2	5.19	
43	15.4	3.82	18.3	4.53	21.3	4.69	22.8	4.88	24.7	5.31	28.1	5.40	30.2	5.44	
45	15.4	4.00	18.3	4.66	21.3	4.99	22.8	4.97	24.7	5.42	28.1	5.62	30.2	5.74	
48	15.4	4.61	18.3	4.83	21.3	5.05	22.8	5.27	24.7	5.50	28.1	5.72	30.2	5.94	
50	15.4	5.22	18.3	5.44	21.3	5.66	22.8	5.89	24.7	6.11	28.1	6.33	30.2	6.55	
52	15.4	5.83	18.3	6.05	21.3	6.28	22.8	6.50	24.7	6.72	28.1	6.94	30.2	7.16	
54	15.4	6.44	18.3	6.67	21.3	6.89	22.8	7.11	24.7	7.33	28.1	7.55	30.2	7.77	
80%	-5	13.7	1.21	16.3	1.25	18.9	1.46	20.3	1.36	22.1	1.81	25.1	2.08	26.9	2.38
	-2	13.7	1.23	16.3	1.27	18.9	1.48	20.3	1.36	22.1	1.83	25.1	2.10	26.9	2.41
	0	13.7	1.24	16.3	1.29	18.9	1.50	20.3	1.39	22.1	1.86	25.1	2.13	26.9	2.43
	2	13.7	1.26	16.3	1.30	18.9	1.52	20.3	1.45	22.1	1.89	25.1	2.17	26.9	2.46
	4	13.7	1.28	16.3	1.32	18.9	1.55	20.3	1.46	22.1	1.91	25.1	2.20	26.9	2.50
	6	13.7	1.30	16.3	1.35	18.9	1.58	20.3	1.50	22.1	1.94	25.1	2.24	26.9	2.54
	8	13.7	1.32	16.3	1.38	18.9	1.61	20.3	1.56	22.1	1.98	25.1	2.28	26.9	2.56
	10	13.7	1.35	16.3	1.41	18.9	1.64	20.3	1.57	22.1	2.02	25.1	2.31	26.9	2.61
	12	13.7	1.38	16.3	1.44	18.9	1.67	20.3	1.61	22.1	2.06	25.1	2.35	26.9	2.65
	14	13.7	1.40	16.3	1.46	18.9	1.71	20.3	1.65	22.1	2.10	25.1	2.40	26.9	2.70
	16	13.7	1.43	16.3	1.49	18.9	1.74	20.3	1.68	22.1	2.14	25.1	2.44	26.9	2.75
	18	13.7	1.46	16.3	1.52	18.9	1.78	20.3	1.74	22.1	2.18	25.1	2.49	26.9	2.84
	20	13.7	1.49	16.3	1.56	18.9	1.81	20.3	1.90	22.1	2.26	25.1	2.68	26.9	2.97
	21	13.7	1.50	16.3	1.57	18.9	1.85	20.3	2.04	22.1	2.34	25.1	2.78	26.9	3.04
	23	13.7	1.61	16.3	1.63	18.9	1.98	20.3	2.21	22.1	2.51	25.1	2.98	26.9	3.18
	25	13.7	1.72	16.3	1.75	18.9	2.13	20.3	2.38	22.1	2.69	25.1	3.19	26.9	3.32
	27	13.7	1.84	16.3	1.87	18.9	2.28	20.3	2.61	22.1	2.87	25.1	3.41	26.9	3.46
	29	13.7	1.97	16.3	2.00	18.9	2.44	20.3	2.72	22.1	3.07	25.1	3.57	26.9	3.59
	31	13.7	2.11	16.3	2.13	18.9	2.61	20.3	2.91	22.1	3.27	25.1	3.71	26.9	3.74
	33	13.7	2.25	16.3	2.27	18.9	2.79	20.3	3.09	22.1	3.49	25.1	3.85	26.9	3.88
	35	13.7	2.40	16.3	2.42	18.9	2.97	20.3	3.39	22.1	3.72	25.1	3.99	26.9	4.02
37	13.7	2.56	16.3	2.57	18.9	3.17	20.3	3.55	22.1	3.97	25.1	4.13	26.9	4.16	
39	13.7	2.72	16.3	2.75	18.9	3.38	20.3	3.68	22.1	4.23	25.1	4.27	26.9	4.31	
41	13.7	2.82	16.3	2.87	18.9	3.51	20.3	3.82	22.1	4.25	25.1	4.38	26.9	4.41	
43	13.7	2.92	16.3	3.00	18.9	3.64	20.3	4.00	22.1	4.34	25.1	4.44	26.9	4.48	
45	13.7	3.06	16.3	3.15	18.9	3.79	20.3	4.25	22.1	4.46	25.1	4.49	26.9	4.54	
48	13.7	3.53	16.3	3.80	18.9	4.07	20.3	4.34	22.1	4.61	25.1	4.88	26.9	5.16	
50	13.7	4.00	16.3	4.27	18.9	4.54	20.3	4.81	22.1	5.08	25.1	5.35	26.9	5.62	
52	13.7	4.46	16.3	4.73	18.9	5.01	20.3	5.28	22.1	5.55	25.1	5.82	26.9	6.09	
54	13.7	4.93	16.3	5.20	18.9	5.47	20.3	5.75	22.1	6.02	25.1	6.29	26.9	6.56	

Abbreviations:

CR: Combination ratio

TC: Total capacity (kW)

PI: Power input (compressor + outdoor fan motor) (kW)

Notes:

1. Shaded cells indicate rating condition.

Table continued on next page ...

Table 2-8.1: 8HP cooling capacity (continued)

CR	Outdoor air temp. (°CDB)	Indoor air temp. (°C DB/WD)													
		20.8/14		23.3/16		25.8/18		27/19		28.2/20		30.7/22		32/24	
		TC kW	PI kW	TC kW	PI kW	TC kW	PI kW	TC kW	PI kW	TC kW	PI kW	TC kW	PI kW	TC kW	PI kW
70%	-5	12.0	0.98	14.3	1.02	16.6	1.18	17.8	1.36	19.3	1.47	22.0	1.69	23.6	1.93
	-2	12.0	1.00	14.3	1.03	16.6	1.20	17.8	1.37	19.3	1.49	22.0	1.71	23.6	1.95
	0	12.0	1.01	14.3	1.04	16.6	1.22	17.8	1.38	19.3	1.51	22.0	1.72	23.6	1.97
	2	12.0	1.02	14.3	1.06	16.6	1.23	17.8	1.42	19.3	1.53	22.0	1.76	23.6	2.00
	4	12.0	1.03	14.3	1.07	16.6	1.25	17.8	1.44	19.3	1.55	22.0	1.79	23.6	2.03
	6	12.0	1.06	14.3	1.09	16.6	1.28	17.8	1.47	19.3	1.58	22.0	1.82	23.6	2.06
	8	12.0	1.07	14.3	1.12	16.6	1.31	17.8	1.49	19.3	1.60	22.0	1.85	23.6	2.08
	10	12.0	1.09	14.3	1.14	16.6	1.33	17.8	1.52	19.3	1.64	22.0	1.87	23.6	2.11
	12	12.0	1.12	14.3	1.16	16.6	1.36	17.8	1.54	19.3	1.67	22.0	1.91	23.6	2.15
	14	12.0	1.14	14.3	1.19	16.6	1.38	17.8	1.60	19.3	1.70	22.0	1.94	23.6	2.19
	16	12.0	1.16	14.3	1.21	16.6	1.41	17.8	1.60	19.3	1.74	22.0	1.98	23.6	2.23
	18	12.0	1.18	14.3	1.23	16.6	1.44	17.8	1.60	19.3	1.77	22.0	2.02	23.6	2.30
	20	12.0	1.21	14.3	1.26	16.6	1.47	17.8	1.71	19.3	1.83	22.0	2.17	23.6	2.41
	21	12.0	1.22	14.3	1.27	16.6	1.50	17.8	1.83	19.3	1.90	22.0	2.25	23.6	2.46
	23	12.0	1.31	14.3	1.32	16.6	1.61	17.8	1.93	19.3	2.04	22.0	2.42	23.6	2.58
	25	12.0	1.40	14.3	1.42	16.6	1.73	17.8	2.07	19.3	2.18	22.0	2.59	23.6	2.69
	27	12.0	1.49	14.3	1.52	16.6	1.85	17.8	2.22	19.3	2.33	22.0	2.77	23.6	2.80
	29	12.0	1.60	14.3	1.62	16.6	1.98	17.8	2.33	19.3	2.49	22.0	2.89	23.6	2.91
	31	12.0	1.71	14.3	1.73	16.6	2.11	17.8	2.48	19.3	2.65	22.0	3.01	23.6	3.03
	33	12.0	1.82	14.3	1.84	16.6	2.26	17.8	2.63	19.3	2.83	22.0	3.12	23.6	3.14
	35	12.0	1.94	14.3	1.96	16.6	2.41	17.8	2.75	19.3	3.02	22.0	3.24	23.6	3.26
37	12.0	2.07	14.3	2.09	16.6	2.57	17.8	2.88	19.3	3.22	22.0	3.35	23.6	3.37	
39	12.0	2.21	14.3	2.23	16.6	2.74	17.8	2.99	19.3	3.43	22.0	3.47	23.6	3.49	
41	12.0	2.29	14.3	2.33	16.6	2.84	17.8	3.09	19.3	3.45	22.0	3.55	23.6	3.57	
43	12.0	2.37	14.3	2.43	16.6	2.95	17.8	3.24	19.3	3.52	22.0	3.60	23.6	3.63	
45	12.0	2.48	14.3	2.56	16.6	3.07	17.8	3.45	19.3	3.62	22.0	3.91	23.6	4.08	
48	12.0	2.86	14.3	3.14	16.6	3.41	17.8	3.69	19.3	3.96	22.0	4.24	23.6	4.51	
50	12.0	3.24	14.3	3.51	16.6	3.79	17.8	4.06	19.3	4.34	22.0	4.61	23.6	4.89	
52	12.0	3.62	14.3	3.89	16.6	4.17	17.8	4.44	19.3	4.72	22.0	4.99	23.6	5.27	
54	12.0	4.00	14.3	4.27	16.6	4.55	17.8	4.82	19.3	5.10	22.0	5.37	23.6	5.65	
60%	-5	10.2	0.79	12.2	0.86	14.2	0.95	15.2	1.22	16.5	1.33	18.8	1.48	20.2	1.70
	-2	10.2	0.80	12.2	0.88	14.2	0.97	15.2	1.24	16.5	1.35	18.8	1.50	20.2	1.71
	0	10.2	0.81	12.2	0.89	14.2	0.98	15.2	1.25	16.5	1.37	18.8	1.52	20.2	1.73
	2	10.2	0.83	12.2	0.90	14.2	0.99	15.2	1.28	16.5	1.39	18.8	1.55	20.2	1.75
	4	10.2	0.83	12.2	0.91	14.2	1.01	15.2	1.29	16.5	1.42	18.8	1.58	20.2	1.78
	6	10.2	0.85	12.2	0.93	14.2	1.03	15.2	1.32	16.5	1.45	18.8	1.61	20.2	1.82
	8	10.2	0.86	12.2	0.95	14.2	1.05	15.2	1.35	16.5	1.48	18.8	1.64	20.2	1.85
	10	10.2	0.88	12.2	0.96	14.2	1.07	15.2	1.38	16.5	1.50	18.8	1.67	20.2	1.84
	12	10.2	0.90	12.2	0.98	14.2	1.09	15.2	1.41	16.5	1.53	18.8	1.70	20.2	1.87
	14	10.2	0.92	12.2	1.01	14.2	1.12	15.2	1.43	16.5	1.56	18.8	1.73	20.2	1.90
	16	10.2	0.94	12.2	1.03	14.2	1.14	15.2	1.46	16.5	1.59	18.8	1.76	20.2	1.94
	18	10.2	0.95	12.2	1.05	14.2	1.16	15.2	1.48	16.5	1.62	18.8	1.79	20.2	1.98
	20	10.2	0.97	12.2	1.09	14.2	1.19	15.2	1.51	16.5	1.63	18.8	1.83	20.2	2.01
	21	10.2	0.98	12.2	1.13	14.2	1.21	15.2	1.62	16.5	1.66	18.8	1.85	20.2	2.06
	23	10.2	1.05	12.2	1.22	14.2	1.30	15.2	1.73	16.5	1.76	18.8	1.92	20.2	2.08
	25	10.2	1.13	12.2	1.32	14.2	1.39	15.2	1.83	16.5	1.88	18.8	2.05	20.2	2.21
	27	10.2	1.20	12.2	1.41	14.2	1.49	15.2	1.92	16.5	2.00	18.8	2.19	20.2	2.36
	29	10.2	1.29	12.2	1.52	14.2	1.59	15.2	2.00	16.5	2.13	18.8	2.33	20.2	2.52
	31	10.2	1.38	12.2	1.63	14.2	1.70	15.2	2.11	16.5	2.27	18.8	2.48	20.2	2.69
	33	10.2	1.47	12.2	1.75	14.2	1.82	15.2	2.20	16.5	2.41	18.8	2.64	20.2	2.86
	35	10.2	1.57	12.2	1.87	14.2	1.94	15.2	2.22	16.5	2.55	18.8	2.81	20.2	3.05
37	10.2	1.67	12.2	2.00	14.2	2.07	15.2	2.32	16.5	2.71	18.8	2.99	20.2	3.25	
39	10.2	1.78	12.2	2.14	14.2	2.21	15.2	2.41	16.5	2.81	18.8	3.17	20.2	3.45	
41	10.2	1.84	12.2	2.22	14.2	2.29	15.2	2.49	16.5	2.91	18.8	3.32	20.2	3.67	
43	10.2	1.91	12.2	2.27	14.2	2.38	15.2	2.61	16.5	3.06	18.8	3.46	20.2	3.84	
45	10.2	2.07	12.2	2.55	14.2	2.70	15.2	2.85	16.5	3.30	18.8	3.62	20.2	4.01	
48	10.2	2.37	12.2	2.66	14.2	2.95	15.2	3.24	16.5	3.53	18.8	3.81	20.2	4.10	
50	10.2	2.68	12.2	2.97	14.2	3.25	15.2	3.54	16.5	3.83	18.8	4.12	20.2	4.41	
52	10.2	2.98	12.2	3.27	14.2	3.56	15.2	3.85	16.5	4.14	18.8	4.43	20.2	4.71	
54	10.2	3.29	12.2	3.58	14.2	3.87	15.2	4.16	16.5	4.44	18.8	4.73	20.2	5.02	

**Abbreviations:**

CR: Combination ratio

TC: Total capacity (kW)

PI: Power input (compressor + outdoor fan motor) (kW)

**Notes:**

1. Shaded cells indicate rating condition.

Table continued on next page ...

Table 2-8.1: 8HP cooling capacity (continued)

CR	Outdoor air temp. (°CDB)	Indoor air temp. (°C DB/WD)													
		20.8/14		23.3/16		25.8/18		27/19		28.2/20		30.7/22		32/24	
		TC kW	PI kW	TC kW	PI kW	TC kW	PI kW	TC kW	PI kW	TC kW	PI kW	TC kW	PI kW	TC kW	PI kW
50%	-5	8.6	0.66	10.3	0.72	11.9	0.79	12.7	1.08	13.8	1.12	15.7	1.28	16.9	1.38
	-2	8.6	0.67	10.3	0.73	11.9	0.80	12.7	1.11	13.8	1.14	15.7	1.29	16.9	1.40
	0	8.6	0.67	10.3	0.73	11.9	0.81	12.7	1.11	13.8	1.16	15.7	1.32	16.9	1.42
	2	8.6	0.68	10.3	0.74	11.9	0.82	12.7	1.12	13.8	1.18	15.7	1.32	16.9	1.45
	4	8.6	0.69	10.3	0.76	11.9	0.84	12.7	1.12	13.8	1.20	15.7	1.35	16.9	1.48
	6	8.6	0.71	10.3	0.77	11.9	0.85	12.7	1.13	13.8	1.22	15.7	1.38	16.9	1.53
	8	8.6	0.72	10.3	0.78	11.9	0.87	12.7	1.13	13.8	1.24	15.7	1.40	16.9	1.58
	10	8.6	0.73	10.3	0.80	11.9	0.89	12.7	1.12	13.8	1.27	15.7	1.43	16.9	1.60
	12	8.6	0.75	10.3	0.82	11.9	0.91	12.7	1.13	13.8	1.30	15.7	1.46	16.9	1.63
	14	8.6	0.76	10.3	0.83	11.9	0.92	12.7	1.14	13.8	1.32	15.7	1.49	16.9	1.66
	16	8.6	0.77	10.3	0.85	11.9	0.94	12.7	1.14	13.8	1.34	15.7	1.51	16.9	1.68
	18	8.6	0.79	10.3	0.87	11.9	0.96	12.7	1.14	13.8	1.36	15.7	1.54	16.9	1.71
	20	8.6	0.81	10.3	0.90	11.9	0.98	12.7	1.20	13.8	1.39	15.7	1.56	16.9	1.75
	21	8.6	0.81	10.3	0.94	11.9	1.00	12.7	1.26	13.8	1.40	15.7	1.58	16.9	1.77
	23	8.6	0.87	10.3	1.01	11.9	1.07	12.7	1.34	13.8	1.43	15.7	1.61	16.9	1.80
	25	8.6	0.93	10.3	1.09	11.9	1.15	12.7	1.43	13.8	1.47	15.7	1.69	16.9	1.93
	27	8.6	1.00	10.3	1.17	11.9	1.23	12.7	1.54	13.8	1.56	15.7	1.80	16.9	2.05
	29	8.6	1.07	10.3	1.26	11.9	1.32	12.7	1.59	13.8	1.66	15.7	1.91	16.9	2.19
	31	8.6	1.14	10.3	1.35	11.9	1.41	12.7	1.69	13.8	1.77	15.7	2.03	16.9	2.33
	33	8.6	1.22	10.3	1.45	11.9	1.51	12.7	1.78	13.8	1.87	15.7	2.16	16.9	2.47
35	8.6	1.30	10.3	1.55	11.9	1.61	12.7	1.84	13.8	1.98	15.7	2.29	16.9	2.63	
37	8.6	1.38	10.3	1.66	11.9	1.72	12.7	1.92	13.8	2.10	15.7	2.44	16.9	2.79	
39	8.6	1.47	10.3	1.77	11.9	1.83	12.7	1.99	13.8	2.23	15.7	2.58	16.9	2.96	
41	8.6	1.53	10.3	1.84	11.9	1.90	12.7	2.07	13.8	2.33	15.7	2.72	16.9	3.10	
43	8.6	1.58	10.3	1.88	11.9	1.97	12.7	2.20	13.8	2.39	15.7	2.86	16.9	3.24	
45	8.6	1.66	10.3	2.11	11.9	2.25	12.7	2.43	13.8	2.67	15.7	3.13	16.9	3.38	
48	8.6	1.95	10.3	2.22	11.9	2.50	12.7	2.77	13.8	3.05	15.7	3.32	16.9	3.60	
50	8.6	2.24	10.3	2.51	11.9	2.79	12.7	3.06	13.8	3.34	15.7	3.61	16.9	3.89	
52	8.6	2.53	10.3	2.80	11.9	3.08	12.7	3.35	13.8	3.63	15.7	3.90	16.9	4.18	
54	8.6	2.82	10.3	3.09	11.9	3.37	12.7	3.64	13.8	3.92	15.7	4.19	16.9	4.47	

Abbreviations:

CR: Combination ratio

TC: Total capacity (kW)

PI: Power input (compressor + outdoor fan motor) (kW)

Notes:

1. Shaded cells indicate rating condition.

Table 2-8.2: 10HP cooling capacity

CR	Outdoor air temp. (°CDB)	Indoor air temp. (°C DB/WD)													
		20.8/14		23.3/16		25.8/18		27/19		28.2/20		30.7/22		32/24	
		TC	PI	TC	PI	TC	PI	TC	PI	TC	PI	TC	PI	TC	PI
		kW	kW	kW	kW	kW	kW	kW	kW	kW	kW	kW	kW	kW	kW
130%	-5	25.4	2.76	30.8	3.09	34.8	3.33	35.8	3.62	38.3	3.86	39.3	4.20	39.6	4.23
	-2	25.4	2.76	30.8	3.16	34.8	3.33	36.1	3.64	38.3	3.86	39.3	4.25	39.6	4.27
	0	25.4	2.81	30.8	3.22	34.8	3.47	36.1	3.85	38.3	4.09	39.3	4.30	39.6	4.33
	2	25.4	2.86	30.8	3.22	34.8	3.59	36.1	4.07	38.3	4.13	39.3	4.34	39.6	4.39
	4	25.4	2.92	30.8	3.29	34.8	3.73	36.1	4.09	38.3	4.19	39.3	4.33	39.6	4.47
	6	25.4	2.98	30.8	3.36	34.8	3.88	36.1	4.12	37.6	4.32	38.2	4.33	39.6	4.51
	8	25.4	3.05	30.8	3.45	34.8	4.08	36.1	4.33	37.2	4.46	37.8	4.35	39.2	4.55
	10	25.4	3.11	30.8	3.53	34.8	4.24	36.1	4.48	36.9	4.49	37.6	4.49	38.7	4.68
	12	25.4	3.16	30.8	3.60	34.8	4.33	35.7	4.54	36.4	4.61	37.3	4.57	38.3	4.71
	14	25.4	3.23	30.8	3.67	34.6	4.35	35.4	4.56	35.9	4.65	37.1	4.65	37.8	4.82
	16	25.4	3.28	30.8	3.75	34.2	4.48	34.8	4.65	35.4	4.74	36.8	4.76	37.5	4.89
	18	25.4	3.35	30.8	3.84	33.7	4.54	34.2	4.71	35.0	4.87	36.5	4.92	37.1	4.97
	20	25.4	3.42	30.8	4.10	33.3	4.78	33.7	4.95	34.5	5.11	36.3	5.16	36.8	5.21
	21	25.4	3.51	30.8	4.25	33.1	4.90	33.8	5.06	34.1	5.23	36.0	5.28	36.4	5.33
	23	25.4	3.76	30.8	4.58	32.5	5.14	33.1	5.30	33.6	5.47	35.8	5.52	36.1	5.57
	25	25.4	4.02	30.8	4.93	32.0	5.37	32.6	5.54	33.2	5.71	35.5	5.77	35.7	5.82
	27	25.4	4.29	30.8	5.29	31.6	5.61	32.1	5.89	32.7	5.95	35.2	6.01	35.4	6.07
	29	25.4	4.58	30.8	5.67	31.1	5.84	31.7	6.21	32.3	6.19	35.0	6.26	35.0	6.32
	31	25.4	4.89	29.8	6.02	30.7	6.09	31.3	6.52	31.8	6.43	34.7	6.50	34.7	6.58
	33	25.4	5.21	29.3	6.25	30.2	6.33	30.7	6.87	31.4	6.67	34.4	6.75	34.3	6.82
	35	25.4	5.56	28.8	6.49	29.7	6.57	30.2	6.88	30.9	6.92	34.2	7.00	33.9	7.07
	37	25.4	5.91	28.3	6.78	29.3	6.82	29.8	6.99	30.4	7.18	33.9	7.26	33.6	7.34
	39	25.4	6.29	27.8	7.05	28.8	7.08	29.4	7.24	30.2	7.42	33.6	7.50	33.2	7.59
	41	25.4	6.62	27.6	7.32	28.5	7.35	28.9	7.48	29.4	7.63	33.0	7.70	32.9	7.80
	43	25.4	6.88	27.4	7.59	28.3	7.82	28.4	7.93	29.1	8.02	29.7	8.08	32.5	8.16
	45	25.4	7.15	27.2	7.93	28.0	8.16	28.0	8.32	28.6	8.40	28.9	8.45	32.2	8.63
48	25.4	8.10	27.0	8.30	27.7	8.51	27.5	8.72	28.2	8.92	28.1	9.13	31.8	9.34	
50	25.4	9.05	26.2	9.25	27.1	9.46	27.0	9.67	27.7	9.87	26.4	10.08	31.5	10.29	
52	25.4	10.00	25.8	10.20	26.7	10.41	26.5	10.62	27.3	10.82	25.2	11.03	31.1	11.24	
54	25.4	10.95	25.4	11.15	26.4	11.36	26.1	11.57	26.8	11.77	23.9	11.98	30.8	12.19	
120%	-5	23.7	2.66	27.5	2.88	32.0	3.33	34.8	3.75	36.5	3.99	37.3	4.33	38.1	4.45
	-2	23.7	2.69	27.5	2.92	32.0	3.37	34.8	3.77	36.5	4.04	37.3	4.37	38.1	4.47
	0	23.7	2.71	27.5	2.94	32.0	3.42	34.8	3.78	36.5	4.08	37.3	4.40	38.1	4.48
	2	23.7	2.72	27.5	2.97	32.0	3.44	34.8	3.82	36.5	4.10	37.3	4.43	38.1	4.49
	4	23.7	2.75	27.5	3.01	32.0	3.50	34.8	3.86	36.5	4.16	37.3	4.44	38.1	4.50
	6	23.7	2.78	27.5	3.04	32.0	3.54	34.8	3.91	36.5	4.21	37.3	4.48	38.1	4.51
	8	23.7	2.80	27.5	3.07	32.0	3.60	34.8	3.96	36.5	4.25	37.3	4.49	38.1	4.54
	10	23.7	2.83	27.5	3.12	32.0	3.64	34.8	4.04	36.5	4.26	37.3	4.51	38.1	4.56
	12	23.7	2.89	27.5	3.18	32.0	3.72	34.8	4.12	36.0	4.27	36.8	4.48	37.6	4.59
	14	23.7	2.94	27.5	3.26	32.0	3.80	34.8	4.21	35.5	4.30	36.4	4.55	37.2	4.64
	16	23.7	3.00	27.5	3.33	32.0	3.88	34.8	4.27	35.0	4.37	35.9	4.63	36.7	4.72
	18	23.7	3.05	27.5	3.40	32.0	4.03	34.1	4.40	34.5	4.49	35.4	4.74	36.3	4.79
	20	23.7	3.12	27.5	3.55	32.0	4.37	33.7	4.64	34.1	4.73	34.9	4.98	35.8	5.02
	21	23.7	3.14	27.5	3.68	32.0	4.54	33.1	4.93	33.8	4.84	34.7	5.10	35.6	5.15
	23	23.7	3.36	27.5	3.97	32.0	4.90	32.4	5.32	33.4	5.08	34.2	5.34	35.0	5.39
	25	23.7	3.59	27.5	4.27	31.5	5.13	32.0	5.55	32.9	5.32	33.8	5.58	34.6	5.63
	27	23.7	3.83	27.5	4.59	31.1	5.36	31.5	5.91	32.5	5.56	33.3	5.82	34.1	5.88
	29	23.7	4.09	27.5	4.93	30.6	5.60	31.0	6.16	32.0	5.80	32.8	6.07	33.7	6.12
	31	23.7	4.36	27.5	5.28	30.1	5.84	30.6	6.47	31.6	6.04	32.4	6.31	33.2	6.38
	33	23.7	4.64	27.5	5.65	29.7	6.08	30.1	6.74	31.1	6.28	31.9	6.56	32.7	6.62
	35	23.7	4.94	27.5	6.05	29.2	6.31	29.6	6.83	30.7	6.52	31.5	6.80	32.3	6.88
	37	23.7	5.26	27.5	6.47	28.7	6.56	29.2	6.87	29.9	6.91	31.0	7.05	31.8	7.13
	39	23.7	5.59	27.4	6.85	28.2	6.80	28.7	6.91	29.3	7.02	30.6	7.30	31.4	7.37
	41	23.7	5.90	27.2	6.90	28.0	7.04	28.4	7.24	28.8	7.26	29.7	7.55	30.5	7.63
	43	23.7	6.16	27.1	6.95	27.8	7.23	28.2	7.40	28.6	7.51	29.2	7.79	30.0	7.88
	45	23.7	6.42	26.9	7.02	27.5	7.38	27.9	7.66	28.4	7.75	28.6	8.04	29.8	8.13
48	23.7	7.36	26.7	7.57	27.3	7.77	27.7	7.98	28.1	8.18	28.1	8.39	29.4	8.59	
50	23.7	8.31	26.6	8.51	27.0	8.72	27.3	8.92	27.7	9.13	27.5	9.33	28.8	9.54	
52	23.7	9.25	26.4	9.45	26.7	9.66	27.0	9.86	27.3	10.07	26.9	10.27	28.3	10.48	
54	23.7	10.19	26.3	10.40	26.4	10.60	26.7	10.81	27.0	11.01	26.3	11.22	27.8	11.42	

**Abbreviations:**

CR: Combination ratio

TC: Total capacity (kW)

PI: Power input (compressor + outdoor fan motor) (kW)

**Notes:**

- Shaded cells indicate rating condition.

Table continued on next page ...

Table 2-8.2: 10HP cooling capacity (continued)

CR	Outdoor air temp. (°CDB)	Indoor air temp. (°C DB/WD)													
		20.8/14		23.3/16		25.8/18		27/19		28.2/20		30.7/22		32/24	
		TC	PI	TC	PI	TC	PI	TC	PI	TC	PI	TC	PI	TC	PI
		kW	kW	kW	kW	kW	kW	kW	kW	kW	kW	kW	kW	kW	kW
110%	-5	21.9	2.32	25.3	2.62	30.6	3.11	31.6	3.50	34.0	3.85	36.6	4.01	37.4	4.27
	-2	21.9	2.37	25.3	2.66	30.6	3.14	31.6	3.54	34.0	3.88	36.6	4.05	37.4	4.29
	0	21.9	2.39	25.3	2.68	30.6	3.17	31.6	3.56	34.0	3.93	36.6	4.09	37.4	4.35
	2	21.9	2.45	25.3	2.71	30.6	3.23	31.6	3.61	34.0	3.97	36.6	4.15	37.4	4.40
	4	21.9	2.49	25.3	2.74	30.6	3.26	31.6	3.65	34.0	4.04	36.6	4.21	37.4	4.44
	6	21.9	2.52	25.3	2.77	30.6	3.29	31.6	3.71	34.0	4.08	36.6	4.26	37.4	4.51
	8	21.9	2.54	25.3	2.82	30.6	3.34	31.6	3.75	34.0	4.13	36.6	4.29	37.4	4.56
	10	21.9	2.57	25.3	2.86	30.6	3.39	31.6	3.82	34.0	4.20	36.6	4.32	37.4	4.60
	12	21.9	2.63	25.3	2.93	30.6	3.46	31.6	3.90	34.0	4.28	36.2	4.38	36.9	4.66
	14	21.9	2.67	25.3	2.98	30.6	3.53	31.6	3.98	34.0	4.36	35.7	4.42	36.5	4.69
	16	21.9	2.72	25.3	3.05	30.6	3.61	31.6	4.06	34.0	4.45	35.3	4.47	36.0	4.74
	18	21.9	2.77	25.3	3.11	30.6	3.69	31.6	4.18	34.0	4.67	34.7	4.71	35.6	4.89
	20	21.9	2.83	25.3	3.18	30.6	3.92	31.6	4.50	33.5	4.91	34.3	4.95	35.0	5.13
	21	21.9	2.85	25.3	3.28	30.6	4.08	31.6	4.86	33.3	5.03	34.0	5.06	34.8	5.24
	23	21.9	2.99	25.3	3.54	30.6	4.40	31.6	5.17	32.8	5.25	33.6	5.31	34.3	5.49
	25	21.9	3.19	25.3	3.80	30.6	4.72	31.6	5.52	32.4	5.49	33.1	5.55	33.9	5.73
	27	21.9	3.40	25.3	4.08	30.6	5.08	31.2	5.78	31.9	5.73	32.7	5.78	33.4	5.97
	29	21.9	3.63	25.3	4.37	30.6	5.45	30.6	6.12	31.5	5.97	32.2	6.03	33.0	6.22
	31	21.9	3.86	25.3	4.68	30.6	5.84	30.0	6.46	31.0	6.21	31.8	6.26	32.5	6.46
	33	21.9	4.11	25.3	5.01	30.6	6.18	29.9	6.71	30.6	6.45	31.3	6.51	32.1	6.71
	35	21.9	4.37	25.3	5.35	28.9	6.41	29.1	6.79	30.0	6.69	30.8	6.75	31.6	6.95
	37	21.9	4.79	25.3	5.72	28.2	6.66	28.7	6.82	29.5	6.93	30.4	7.00	31.1	7.20
	39	21.9	5.20	25.3	6.11	27.7	6.90	28.2	7.07	29.0	7.17	29.8	7.24	30.7	7.45
	41	21.9	5.60	25.3	6.16	27.2	6.95	27.9	7.12	28.6	7.22	28.9	7.33	29.8	7.50
43	21.9	6.01	25.3	6.24	26.7	7.00	27.6	7.17	28.1	7.27	28.7	7.52	29.3	7.66	
45	21.9	6.35	25.3	6.46	26.2	7.14	27.1	7.32	27.6	7.42	27.9	7.69	28.7	7.91	
48	21.9	7.29	25.3	7.49	25.7	7.70	26.8	7.90	27.1	8.10	27.6	8.31	28.0	8.51	
50	21.9	8.23	24.7	8.43	25.2	8.63	26.4	8.84	26.6	9.04	27.0	9.25	27.4	9.45	
52	21.9	9.16	24.1	9.37	24.7	9.57	26.0	9.77	26.2	9.98	26.4	10.18	26.8	10.39	
54	21.9	10.10	23.6	10.30	24.2	10.51	25.6	10.71	25.7	10.92	25.9	11.12	26.2	11.32	
100%	-5	19.6	2.39	23.1	2.60	27.6	2.87	28.0	3.37	30.4	3.29	34.9	3.64	36.0	4.02
	-2	19.6	2.42	23.1	2.63	27.6	2.93	28.0	3.39	30.4	3.34	34.9	3.69	36.0	4.04
	0	19.6	2.45	23.1	2.67	27.6	2.98	28.0	3.45	30.4	3.37	34.9	3.76	36.0	4.09
	2	19.6	2.48	23.1	2.70	27.6	3.04	28.0	3.48	30.4	3.41	34.9	3.82	36.0	4.16
	4	19.6	2.51	23.1	2.75	27.6	3.08	28.0	3.53	30.4	3.46	34.9	3.86	36.0	4.20
	6	19.6	2.56	23.1	2.79	27.6	3.13	28.0	3.60	30.4	3.51	34.9	3.92	36.0	4.27
	8	19.6	2.60	23.1	2.85	27.6	3.19	28.0	3.67	30.4	3.57	34.9	3.98	36.0	4.34
	10	19.6	2.65	23.1	2.90	27.6	3.24	28.0	3.72	30.4	3.64	34.9	4.05	36.0	4.41
	12	19.6	2.71	23.1	2.96	27.6	3.37	28.0	3.80	30.4	3.71	34.9	4.13	35.5	4.44
	14	19.6	2.76	23.1	3.02	27.6	3.52	28.0	4.04	30.4	3.78	34.9	4.22	35.1	4.50
	16	19.6	2.81	23.1	3.10	27.6	3.61	28.0	4.14	30.4	3.86	33.9	4.28	34.6	4.55
	18	19.6	2.87	23.1	3.16	27.6	3.75	28.0	4.31	30.4	3.94	33.5	4.43	34.2	4.67
	20	19.6	2.93	23.1	3.27	27.6	4.06	28.0	4.60	30.4	4.24	33.0	4.66	33.7	4.90
	21	19.6	2.96	23.1	3.40	27.6	4.35	28.0	4.88	30.4	4.39	32.8	4.77	33.5	5.02
	23	19.6	3.17	23.1	3.67	27.6	4.68	28.0	5.22	30.4	4.73	32.4	5.01	33.0	5.25
	25	19.6	3.39	23.1	3.96	27.6	5.05	28.0	5.48	30.4	5.08	31.9	5.24	32.6	5.48
	27	19.6	3.62	23.1	4.26	27.6	5.35	28.0	5.81	30.4	5.45	31.4	5.47	32.1	5.73
	29	19.6	3.88	23.1	4.57	27.6	5.75	28.0	5.98	30.3	5.80	31.0	5.92	31.7	5.96
	31	19.6	4.15	23.1	4.90	27.6	6.15	28.0	6.09	29.9	6.03	30.5	6.13	31.2	6.20
	33	19.6	4.42	23.1	5.25	27.6	6.44	28.0	6.26	29.4	6.26	30.1	6.35	30.8	6.45
	35	19.6	4.71	23.1	5.63	27.6	6.57	28.0	6.67	28.9	6.68	29.6	6.75	30.3	6.81
	37	19.6	5.03	23.1	6.03	27.6	6.62	27.6	6.97	28.6	7.07	29.2	7.16	29.8	7.26
	39	19.6	5.35	23.1	6.44	27.6	6.74	27.3	7.24	28.2	7.37	28.7	7.51	29.4	7.58
	41	19.6	5.55	23.1	6.69	27.6	6.84	26.9	7.50	27.8	7.66	27.6	7.73	28.9	7.81
43	19.6	5.75	23.1	6.82	27.6	7.06	26.8	7.86	27.4	7.99	27.8	8.12	27.9	8.18	
45	19.6	6.02	23.1	7.01	27.6	7.51	26.7	8.36	27.0	8.82	27.5	9.26	27.4	9.44	
48	19.6	6.94	23.1	7.47	27.6	8.00	26.4	9.01	26.6	9.54	26.9	10.07	27.0	10.61	
50	19.6	7.86	23.1	8.39	27.6	8.93	26.1	9.46	26.2	9.99	26.5	10.53	26.6	11.06	
52	19.6	8.78	23.1	9.31	27.6	9.85	25.9	10.38	25.8	10.91	26.1	11.45	26.2	11.98	
54	19.6	9.70	23.1	10.23	27.6	10.77	25.6	11.30	25.4	11.83	25.7	12.37	25.8	12.90	

Abbreviations:

CR: Combination ratio

TC: Total capacity (kW)

PI: Power input (compressor + outdoor fan motor) (kW)

Notes:

1. Shaded cells indicate rating condition.

Table continued on next page ...

Table 2-8.2: 10HP cooling capacity (continued)

CR	Outdoor air temp. (°CDB)	Indoor air temp. (°C DB/WD)													
		20.8/14		23.3/16		25.8/18		27/19		28.2/20		30.7/22		32/24	
		TC	PI	TC	PI	TC	PI	TC	PI	TC	PI	TC	PI	TC	PI
		kW	kW	kW	kW	kW	kW	kW	kW	kW	kW	kW	kW	kW	kW
90%	-5	17.0	1.91	20.3	2.08	23.7	2.30	25.3	2.69	27.4	2.63	31.2	2.91	33.5	3.21
	-2	17.0	1.94	20.3	2.11	23.7	2.34	25.3	2.71	27.4	2.67	31.2	2.95	33.5	3.23
	0	17.0	1.96	20.3	2.13	23.7	2.38	25.3	2.76	27.4	2.69	31.2	3.00	33.5	3.27
	2	17.0	1.99	20.3	2.16	23.7	2.43	25.3	2.78	27.4	2.73	31.2	3.05	33.5	3.32
	4	17.0	2.01	20.3	2.20	23.7	2.47	25.3	2.82	27.4	2.76	31.2	3.08	33.5	3.36
	6	17.0	2.05	20.3	2.23	23.7	2.51	25.3	2.88	27.4	2.81	31.2	3.13	33.5	3.42
	8	17.0	2.08	20.3	2.28	23.7	2.55	25.3	2.93	27.4	2.85	31.2	3.19	33.5	3.47
	10	17.0	2.12	20.3	2.32	23.7	2.60	25.3	2.98	27.4	2.91	31.2	3.24	33.5	3.52
	12	17.0	2.17	20.3	2.37	23.7	2.69	25.3	3.04	27.4	2.97	31.2	3.31	33.5	3.55
	14	17.0	2.21	20.3	2.42	23.7	2.82	25.3	3.23	27.4	3.03	31.2	3.38	33.5	3.60
	16	17.0	2.25	20.3	2.48	23.7	2.89	25.3	3.31	27.4	3.09	31.2	3.42	33.5	3.64
	18	17.0	2.30	20.3	2.53	23.7	3.00	25.3	3.44	27.4	3.16	31.2	3.54	33.5	3.73
	20	17.0	2.35	20.3	2.61	23.7	3.25	25.3	3.68	27.4	3.39	31.2	3.72	33.5	3.92
	21	17.0	2.37	20.3	2.72	23.7	3.48	25.3	3.90	27.4	3.51	31.2	3.82	33.5	4.01
	23	17.0	2.53	20.3	2.94	23.7	3.74	25.3	4.17	27.4	3.78	31.2	4.00	33.5	4.20
	25	17.0	2.71	20.3	3.17	23.7	4.04	25.3	4.38	27.4	4.06	31.2	4.19	33.5	4.39
	27	17.0	2.90	20.3	3.40	23.7	4.28	25.3	4.64	27.4	4.36	31.2	4.38	33.5	4.58
	29	17.0	3.10	20.3	3.66	23.7	4.60	25.3	4.78	27.4	4.64	31.2	4.73	33.5	4.77
	31	17.0	3.32	20.3	3.92	23.7	4.92	25.3	4.87	27.4	4.82	31.2	4.90	33.5	4.96
	33	17.0	3.54	20.3	4.20	23.7	5.15	25.3	5.01	27.4	5.01	31.2	5.08	33.5	5.16
	35	17.0	3.77	20.3	4.51	23.7	5.26	25.3	5.34	27.4	5.34	31.2	5.40	33.5	5.45
	37	17.0	4.02	20.3	4.82	23.7	5.29	25.3	5.57	27.4	5.66	31.2	5.73	33.5	5.81
	39	17.0	4.28	20.3	5.15	23.7	5.39	25.3	5.67	27.4	5.89	31.2	6.01	33.5	6.06
	41	17.0	4.44	20.3	5.35	23.7	5.47	25.3	5.77	27.4	6.13	31.2	6.18	33.5	6.25
43	17.0	4.60	20.3	5.46	23.7	5.65	25.3	5.88	27.4	6.39	31.2	6.50	33.5	6.55	
45	17.0	4.81	20.3	5.61	23.7	6.01	25.3	5.98	27.4	6.52	31.2	6.77	33.5	6.91	
48	17.0	5.55	20.3	5.82	23.7	6.08	25.3	6.35	27.4	6.62	31.2	6.88	33.5	7.15	
50	17.0	6.29	20.3	6.55	23.7	6.82	25.3	7.09	27.4	7.35	31.2	7.62	33.5	7.89	
52	17.0	7.02	20.3	7.29	23.7	7.56	25.3	7.82	27.4	8.09	31.2	8.36	33.5	8.62	
54	17.0	7.76	20.3	8.03	23.7	8.29	25.3	8.56	27.4	8.83	31.2	9.09	33.5	9.36	
80%	-5	15.2	1.46	18.1	1.51	21.0	1.76	22.5	1.64	24.5	2.18	27.9	2.51	29.9	2.88
	-2	15.2	1.48	18.1	1.53	21.0	1.78	22.5	1.64	24.5	2.21	27.9	2.54	29.9	2.90
	0	15.2	1.50	18.1	1.55	21.0	1.81	22.5	1.68	24.5	2.24	27.9	2.56	29.9	2.93
	2	15.2	1.52	18.1	1.57	21.0	1.83	22.5	1.75	24.5	2.27	27.9	2.62	29.9	2.97
	4	15.2	1.54	18.1	1.60	21.0	1.87	22.5	1.76	24.5	2.30	27.9	2.66	29.9	3.01
	6	15.2	1.57	18.1	1.63	21.0	1.90	22.5	1.81	24.5	2.34	27.9	2.70	29.9	3.06
	8	15.2	1.60	18.1	1.66	21.0	1.94	22.5	1.88	24.5	2.38	27.9	2.75	29.9	3.09
	10	15.2	1.63	18.1	1.70	21.0	1.98	22.5	1.90	24.5	2.44	27.9	2.79	29.9	3.14
	12	15.2	1.66	18.1	1.73	21.0	2.02	22.5	1.94	24.5	2.48	27.9	2.84	29.9	3.20
	14	15.2	1.69	18.1	1.76	21.0	2.06	22.5	1.98	24.5	2.53	27.9	2.89	29.9	3.26
	16	15.2	1.73	18.1	1.80	21.0	2.10	22.5	2.03	24.5	2.58	27.9	2.95	29.9	3.32
	18	15.2	1.76	18.1	1.83	21.0	2.14	22.5	2.10	24.5	2.63	27.9	3.01	29.9	3.42
	20	15.2	1.80	18.1	1.88	21.0	2.19	22.5	2.29	24.5	2.73	27.9	3.23	29.9	3.58
	21	15.2	1.81	18.1	1.89	21.0	2.23	22.5	2.46	24.5	2.83	27.9	3.35	29.9	3.66
	23	15.2	1.94	18.1	1.97	21.0	2.39	22.5	2.67	24.5	3.03	27.9	3.59	29.9	3.83
	25	15.2	2.08	18.1	2.11	21.0	2.57	22.5	2.87	24.5	3.24	27.9	3.85	29.9	4.00
	27	15.2	2.22	18.1	2.25	21.0	2.75	22.5	3.14	24.5	3.46	27.9	4.12	29.9	4.17
	29	15.2	2.38	18.1	2.41	21.0	2.94	22.5	3.28	24.5	3.70	27.9	4.30	29.9	4.34
	31	15.2	2.54	18.1	2.57	21.0	3.14	22.5	3.50	24.5	3.95	27.9	4.47	29.9	4.51
	33	15.2	2.71	18.1	2.74	21.0	3.36	22.5	3.73	24.5	4.21	27.9	4.64	29.9	4.68
	35	15.2	2.89	18.1	2.92	21.0	3.59	22.5	4.09	24.5	4.49	27.9	4.81	29.9	4.85
	37	15.2	3.08	18.1	3.11	21.0	3.83	22.5	4.28	24.5	4.79	27.9	4.98	29.9	5.02
	39	15.2	3.28	18.1	3.31	21.0	4.08	22.5	4.44	24.5	5.10	27.9	5.15	29.9	5.19
	41	15.2	3.40	18.1	3.47	21.0	4.23	22.5	4.60	24.5	5.13	27.9	5.29	29.9	5.32
43	15.2	3.53	18.1	3.62	21.0	4.38	22.5	4.82	24.5	5.24	27.9	5.35	29.9	5.40	
45	15.2	3.69	18.1	3.80	21.0	4.57	22.5	5.13	24.5	5.38	27.9	5.41	29.9	5.47	
48	15.2	4.25	18.1	4.58	21.0	4.91	22.5	5.24	24.5	5.56	27.9	5.89	29.9	6.22	
50	15.2	4.82	18.1	5.15	21.0	5.47	22.5	5.80	24.5	6.13	27.9	6.45	29.9	6.78	
52	15.2	5.38	18.1	5.71	21.0	6.04	22.5	6.36	24.5	6.69	27.9	7.02	29.9	7.35	
54	15.2	5.95	18.1	6.27	21.0	6.60	22.5	6.93	24.5	7.26	27.9	7.58	29.9	7.91	

**Abbreviations:**

CR: Combination ratio

TC: Total capacity (kW)

PI: Power input (compressor + outdoor fan motor) (kW)

**Notes:**

1. Shaded cells indicate rating condition.

Table continued on next page ...

Table 2-8.2: 10HP cooling capacity (continued)

CR	Outdoor air temp. (°CDB)	Indoor air temp. (°C DB/WD)													
		20.8/14		23.3/16		25.8/18		27/19		28.2/20		30.7/22		32/24	
		TC kW	PI kW	TC kW	PI kW	TC kW	PI kW	TC kW	PI kW	TC kW	PI kW	TC kW	PI kW	TC kW	PI kW
70%	-5	13.3	1.19	15.9	1.23	18.5	1.43	19.8	1.65	21.5	1.77	24.4	2.04	26.2	2.33
	-2	13.3	1.20	15.9	1.24	18.5	1.45	19.8	1.65	21.5	1.79	24.4	2.06	26.2	2.36
	0	13.3	1.22	15.9	1.26	18.5	1.47	19.8	1.66	21.5	1.82	24.4	2.08	26.2	2.37
	2	13.3	1.24	15.9	1.27	18.5	1.49	19.8	1.71	21.5	1.84	24.4	2.12	26.2	2.41
	4	13.3	1.25	15.9	1.29	18.5	1.51	19.8	1.74	21.5	1.87	24.4	2.16	26.2	2.44
	6	13.3	1.27	15.9	1.32	18.5	1.54	19.8	1.77	21.5	1.90	24.4	2.19	26.2	2.48
	8	13.3	1.29	15.9	1.35	18.5	1.58	19.8	1.80	21.5	1.93	24.4	2.23	26.2	2.51
	10	13.3	1.32	15.9	1.38	18.5	1.61	19.8	1.83	21.5	1.98	24.4	2.26	26.2	2.55
	12	13.3	1.35	15.9	1.40	18.5	1.64	19.8	1.86	21.5	2.01	24.4	2.30	26.2	2.60
	14	13.3	1.37	15.9	1.43	18.5	1.67	19.8	1.92	21.5	2.05	24.4	2.34	26.2	2.64
	16	13.3	1.40	15.9	1.46	18.5	1.71	19.8	1.93	21.5	2.09	24.4	2.39	26.2	2.69
	18	13.3	1.43	15.9	1.49	18.5	1.74	19.8	1.94	21.5	2.13	24.4	2.44	26.2	2.77
	20	13.3	1.46	15.9	1.52	18.5	1.77	19.8	2.06	21.5	2.21	24.4	2.62	26.2	2.90
	21	13.3	1.47	15.9	1.53	18.5	1.81	19.8	2.21	21.5	2.29	24.4	2.72	26.2	2.97
	23	13.3	1.57	15.9	1.60	18.5	1.94	19.8	2.33	21.5	2.46	24.4	2.91	26.2	3.11
	25	13.3	1.69	15.9	1.71	18.5	2.08	19.8	2.50	21.5	2.63	24.4	3.12	26.2	3.24
	27	13.3	1.80	15.9	1.83	18.5	2.23	19.8	2.68	21.5	2.81	24.4	3.34	26.2	3.38
	29	13.3	1.93	15.9	1.95	18.5	2.39	19.8	2.81	21.5	3.00	24.4	3.49	26.2	3.52
	31	13.3	2.06	15.9	2.08	18.5	2.55	19.8	2.99	21.5	3.20	24.4	3.63	26.2	3.66
	33	13.3	2.20	15.9	2.22	18.5	2.73	19.8	3.17	21.5	3.42	24.4	3.77	26.2	3.79
	35	13.3	2.34	15.9	2.37	18.5	2.91	19.8	3.32	21.5	3.64	24.4	3.90	26.2	3.94
37	13.3	2.50	15.9	2.52	18.5	3.10	19.8	3.47	21.5	3.88	24.4	4.04	26.2	4.07	
39	13.3	2.66	15.9	2.69	18.5	3.31	19.8	3.60	21.5	4.14	24.4	4.18	26.2	4.21	
41	13.3	2.76	15.9	2.81	18.5	3.43	19.8	3.73	21.5	4.16	24.4	4.29	26.2	4.31	
43	13.3	2.86	15.9	2.94	18.5	3.56	19.8	3.91	21.5	4.25	24.4	4.34	26.2	4.38	
45	13.3	2.99	15.9	3.08	18.5	3.71	19.8	4.16	21.5	4.37	24.4	4.72	26.2	4.92	
48	13.3	3.45	15.9	3.78	18.5	4.11	19.8	4.45	21.5	4.78	24.4	5.11	26.2	5.44	
50	13.3	3.91	15.9	4.24	18.5	4.57	19.8	4.90	21.5	5.24	24.4	5.57	26.2	5.90	
52	13.3	4.37	15.9	4.70	18.5	5.03	19.8	5.36	21.5	5.69	24.4	6.03	26.2	6.36	
54	13.3	4.82	15.9	5.16	18.5	5.49	19.8	5.82	21.5	6.15	24.4	6.48	26.2	6.81	
60%	-5	11.4	0.96	13.6	1.04	15.8	1.15	16.9	1.47	18.3	1.61	20.9	1.78	22.4	2.05
	-2	11.4	0.97	13.6	1.06	15.8	1.17	16.9	1.49	18.3	1.63	20.9	1.81	22.4	2.06
	0	11.4	0.98	13.6	1.07	15.8	1.19	16.9	1.51	18.3	1.65	20.9	1.84	22.4	2.09
	2	11.4	1.00	13.6	1.08	15.8	1.20	16.9	1.54	18.3	1.68	20.9	1.88	22.4	2.11
	4	11.4	1.01	13.6	1.10	15.8	1.22	16.9	1.56	18.3	1.71	20.9	1.91	22.4	2.14
	6	11.4	1.03	13.6	1.12	15.8	1.24	16.9	1.59	18.3	1.75	20.9	1.94	22.4	2.19
	8	11.4	1.04	13.6	1.14	15.8	1.27	16.9	1.62	18.3	1.78	20.9	1.98	22.4	2.23
	10	11.4	1.06	13.6	1.16	15.8	1.30	16.9	1.67	18.3	1.81	20.9	2.02	22.4	2.23
	12	11.4	1.09	13.6	1.19	15.8	1.32	16.9	1.70	18.3	1.85	20.9	2.06	22.4	2.26
	14	11.4	1.11	13.6	1.21	15.8	1.35	16.9	1.73	18.3	1.88	20.9	2.09	22.4	2.30
	16	11.4	1.13	13.6	1.24	15.8	1.38	16.9	1.76	18.3	1.91	20.9	2.13	22.4	2.34
	18	11.4	1.15	13.6	1.27	15.8	1.40	16.9	1.79	18.3	1.95	20.9	2.17	22.4	2.39
	20	11.4	1.18	13.6	1.31	15.8	1.43	16.9	1.83	18.3	1.97	20.9	2.21	22.4	2.43
	21	11.4	1.19	13.6	1.37	15.8	1.46	16.9	1.96	18.3	2.00	20.9	2.23	22.4	2.48
	23	11.4	1.27	13.6	1.47	15.8	1.57	16.9	2.09	18.3	2.13	20.9	2.32	22.4	2.51
	25	11.4	1.36	13.6	1.59	15.8	1.68	16.9	2.21	18.3	2.27	20.9	2.48	22.4	2.67
	27	11.4	1.45	13.6	1.71	15.8	1.80	16.9	2.31	18.3	2.42	20.9	2.64	22.4	2.85
	29	11.4	1.56	13.6	1.83	15.8	1.92	16.9	2.41	18.3	2.57	20.9	2.82	22.4	3.04
	31	11.4	1.66	13.6	1.97	15.8	2.06	16.9	2.55	18.3	2.74	20.9	2.99	22.4	3.25
	33	11.4	1.77	13.6	2.11	15.8	2.20	16.9	2.65	18.3	2.91	20.9	3.19	22.4	3.45
	35	11.4	1.89	13.6	2.26	15.8	2.35	16.9	2.68	18.3	3.08	20.9	3.39	22.4	3.68
37	11.4	2.02	13.6	2.42	15.8	2.50	16.9	2.80	18.3	3.27	20.9	3.61	22.4	3.92	
39	11.4	2.15	13.6	2.58	15.8	2.67	16.9	2.91	18.3	3.40	20.9	3.83	22.4	4.17	
41	11.4	2.23	13.6	2.68	15.8	2.77	16.9	3.01	18.3	3.51	20.9	4.01	22.4	4.44	
43	11.4	2.31	13.6	2.74	15.8	2.87	16.9	3.15	18.3	3.69	20.9	4.18	22.4	4.64	
45	11.4	2.49	13.6	3.08	15.8	3.26	16.9	3.43	18.3	3.99	20.9	4.37	22.4	4.84	
48	11.4	2.86	13.6	3.21	15.8	3.56	16.9	3.91	18.3	4.26	20.9	4.60	22.4	4.95	
50	11.4	3.23	13.6	3.58	15.8	3.93	16.9	4.28	18.3	4.62	20.9	4.97	22.4	5.32	
52	11.4	3.60	13.6	3.95	15.8	4.30	16.9	4.65	18.3	4.99	20.9	5.34	22.4	5.69	
54	11.4	3.97	13.6	4.32	15.8	4.67	16.9	5.02	18.3	5.36	20.9	5.71	22.4	6.06	

Abbreviations:

CR: Combination ratio

TC: Total capacity (kW)

PI: Power input (compressor + outdoor fan motor) (kW)

Notes:

1. Shaded cells indicate rating condition.

Table continued on next page ...



Table 2-8.2: 10HP cooling capacity (continued)

CR	Outdoor air temp. (°CDB)	Indoor air temp. (°C DB/WD)													
		20.8/14		23.3/16		25.8/18		27/19		28.2/20		30.7/22		32/24	
		TC kW	PI kW	TC kW	PI kW	TC kW	PI kW	TC kW	PI kW	TC kW	PI kW	TC kW	PI kW	TC kW	PI kW
50%	-5	9.5	0.79	11.4	0.86	13.2	0.95	14.1	1.31	15.3	1.36	17.4	1.54	18.8	1.66
	-2	9.5	0.80	11.4	0.88	13.2	0.97	14.1	1.34	15.3	1.38	17.4	1.56	18.8	1.69
	0	9.5	0.81	11.4	0.89	13.2	0.98	14.1	1.34	15.3	1.40	17.4	1.59	18.8	1.71
	2	9.5	0.83	11.4	0.90	13.2	0.99	14.1	1.35	15.3	1.42	17.4	1.60	18.8	1.75
	4	9.5	0.83	11.4	0.91	13.2	1.01	14.1	1.35	15.3	1.45	17.4	1.64	18.8	1.79
	6	9.5	0.85	11.4	0.93	13.2	1.03	14.1	1.36	15.3	1.48	17.4	1.66	18.8	1.84
	8	9.5	0.86	11.4	0.95	13.2	1.05	14.1	1.37	15.3	1.50	17.4	1.69	18.8	1.90
	10	9.5	0.88	11.4	0.96	13.2	1.07	14.1	1.36	15.3	1.54	17.4	1.73	18.8	1.93
	12	9.5	0.90	11.4	0.98	13.2	1.09	14.1	1.37	15.3	1.57	17.4	1.76	18.8	1.96
	14	9.5	0.92	11.4	1.01	13.2	1.12	14.1	1.37	15.3	1.59	17.4	1.79	18.8	2.00
	16	9.5	0.94	11.4	1.03	13.2	1.14	14.1	1.37	15.3	1.62	17.4	1.82	18.8	2.03
	18	9.5	0.95	11.4	1.05	13.2	1.16	14.1	1.38	15.3	1.65	17.4	1.86	18.8	2.07
	20	9.5	0.97	11.4	1.09	13.2	1.19	14.1	1.45	15.3	1.68	17.4	1.89	18.8	2.11
	21	9.5	0.98	11.4	1.13	13.2	1.21	14.1	1.52	15.3	1.69	17.4	1.91	18.8	2.13
	23	9.5	1.05	11.4	1.22	13.2	1.30	14.1	1.62	15.3	1.72	17.4	1.94	18.8	2.18
	25	9.5	1.13	11.4	1.32	13.2	1.39	14.1	1.73	15.3	1.78	17.4	2.04	18.8	2.32
	27	9.5	1.20	11.4	1.41	13.2	1.49	14.1	1.86	15.3	1.89	17.4	2.17	18.8	2.48
	29	9.5	1.29	11.4	1.52	13.2	1.59	14.1	1.92	15.3	2.01	17.4	2.31	18.8	2.64
	31	9.5	1.38	11.4	1.63	13.2	1.70	14.1	2.04	15.3	2.13	17.4	2.46	18.8	2.81
	33	9.5	1.47	11.4	1.75	13.2	1.82	14.1	2.15	15.3	2.26	17.4	2.61	18.8	2.99
35	9.5	1.57	11.4	1.87	13.2	1.94	14.1	2.22	15.3	2.39	17.4	2.77	18.8	3.17	
37	9.5	1.67	11.4	2.00	13.2	2.07	14.1	2.32	15.3	2.54	17.4	2.94	18.8	3.37	
39	9.5	1.78	11.4	2.14	13.2	2.21	14.1	2.41	15.3	2.69	17.4	3.12	18.8	3.58	
41	9.5	1.84	11.4	2.22	13.2	2.29	14.1	2.49	15.3	2.81	17.4	3.28	18.8	3.75	
43	9.5	1.91	11.4	2.27	13.2	2.38	14.1	2.66	15.3	2.88	17.4	3.45	18.8	3.91	
45	9.5	2.00	11.4	2.55	13.2	2.72	14.1	2.93	15.3	3.22	17.4	3.78	18.8	4.08	
48	9.5	2.35	11.4	2.68	13.2	3.02	14.1	3.35	15.3	3.68	17.4	4.01	18.8	4.35	
50	9.5	2.70	11.4	3.03	13.2	3.37	14.1	3.70	15.3	4.03	17.4	4.36	18.8	4.70	
52	9.5	3.05	11.4	3.38	13.2	3.72	14.1	4.05	15.3	4.38	17.4	4.71	18.8	5.05	
54	9.5	3.40	11.4	3.73	13.2	4.07	14.1	4.40	15.3	4.73	17.4	5.06	18.8	5.40	

Abbreviations:

CR: Combination ratio

TC: Total capacity (kW)

PI: Power input (compressor + outdoor fan motor) (kW)

Notes:

1. Shaded cells indicate rating condition.



Table 2-8.3: 12HP cooling capacity

CR	Outdoor air temp. (°CDB)	Indoor air temp. (°C DB/WD)													
		20.8/14		23.3/16		25.8/18		27/19		28.2/20		30.7/22		32/24	
		TC	PI	TC	PI	TC	PI	TC	PI	TC	PI	TC	PI	TC	PI
		kW	kW	kW	kW	kW	kW	kW	kW	kW	kW	kW	kW	kW	kW
130%	-5	30.3	3.69	36.9	4.14	41.6	4.46	42.8	4.84	45.8	5.17	47.0	5.62	47.4	5.66
	-2	30.3	3.69	36.9	4.23	41.6	4.46	43.2	4.87	45.8	5.17	47.0	5.69	47.4	5.71
	0	30.3	3.76	36.9	4.31	41.6	4.64	43.2	5.15	45.8	5.47	47.0	5.76	47.4	5.79
	2	30.3	3.82	36.9	4.32	41.6	4.81	43.2	5.45	45.8	5.53	47.0	5.81	47.4	5.88
	4	30.3	3.91	36.9	4.41	41.6	4.99	43.2	5.47	45.8	5.61	47.0	5.80	47.4	5.99
	6	30.3	3.98	36.9	4.50	41.6	5.19	43.2	5.52	45.0	5.78	45.7	5.80	47.4	6.03
	8	30.3	4.08	36.9	4.61	41.6	5.47	43.2	5.80	44.5	5.97	45.2	5.83	46.9	6.09
	10	30.3	4.16	36.9	4.72	41.6	5.68	43.2	6.00	44.1	6.01	45.0	6.01	46.3	6.27
	12	30.3	4.24	36.9	4.82	41.6	5.80	42.7	6.07	43.5	6.17	44.7	6.12	45.8	6.31
	14	30.3	4.32	36.9	4.92	41.4	5.83	42.4	6.10	43.0	6.22	44.4	6.22	45.2	6.45
	16	30.3	4.40	36.9	5.02	40.9	5.99	41.6	6.22	42.4	6.35	44.0	6.37	44.8	6.55
	18	30.3	4.48	36.9	5.13	40.3	6.08	40.9	6.31	41.9	6.53	43.7	6.59	44.4	6.65
	20	30.3	4.58	36.9	5.49	39.8	6.40	40.3	6.62	41.3	6.84	43.4	6.90	44.0	6.98
	21	30.3	4.70	36.9	5.69	39.7	6.56	40.5	6.78	40.8	7.00	43.1	7.07	43.6	7.13
	23	30.3	5.04	36.9	6.13	38.9	6.88	39.6	7.10	40.2	7.32	42.8	7.39	43.1	7.46
	25	30.3	5.38	36.9	6.60	38.3	7.19	39.0	7.41	39.7	7.65	42.5	7.72	42.7	7.79
	27	30.3	5.75	36.9	7.08	37.8	7.51	38.4	7.89	39.1	7.96	42.1	8.05	42.3	8.13
	29	30.3	6.14	36.9	7.59	37.2	7.82	37.9	8.32	38.6	8.29	41.8	8.38	41.9	8.46
	31	30.3	6.55	35.6	8.06	36.7	8.15	37.4	8.73	38.1	8.61	41.5	8.71	41.5	8.80
	33	30.3	6.98	35.0	8.37	36.1	8.47	36.7	9.20	37.5	8.94	41.2	9.03	41.0	9.13
	35	30.3	7.44	34.4	8.69	35.6	8.80	36.1	9.22	37.0	9.27	40.9	9.38	40.6	9.47
	37	30.3	7.91	33.9	9.08	35.0	9.13	35.7	9.36	36.4	9.61	40.6	9.72	40.2	9.83
	39	30.3	8.42	33.3	9.44	34.4	9.48	35.1	9.69	36.1	9.93	40.3	10.04	39.8	10.17
	41	30.3	8.87	33.0	9.80	34.0	9.84	34.6	10.02	35.1	10.21	36.2	10.32	39.4	10.44
	43	30.3	9.22	32.7	10.16	33.9	10.47	34.0	10.62	34.8	10.73	35.6	10.82	38.9	10.93
45	30.3	9.57	32.5	10.61	33.5	10.92	33.4	11.13	34.3	11.24	34.6	11.31	38.5	11.55	
48	30.3	10.84	32.3	11.12	33.1	11.39	32.9	11.67	33.8	11.95	33.6	12.22	38.1	12.50	
50	30.3	12.11	31.3	12.39	32.4	12.66	32.3	12.94	33.2	13.22	31.6	13.49	37.7	13.77	
52	30.3	13.38	30.8	13.66	32.0	13.94	31.8	14.21	32.6	14.49	30.1	14.77	37.3	15.04	
54	30.3	14.66	30.4	14.93	31.5	15.21	31.2	15.48	32.1	15.76	28.6	16.04	36.8	16.31	
120%	-5	28.4	3.56	32.9	3.86	38.3	4.46	41.7	5.02	43.6	5.34	44.6	5.80	45.6	5.96
	-2	28.4	3.60	32.9	3.90	38.3	4.51	41.7	5.05	43.6	5.41	44.6	5.85	45.6	5.98
	0	28.4	3.63	32.9	3.93	38.3	4.57	41.7	5.06	43.6	5.46	44.6	5.89	45.6	6.00
	2	28.4	3.64	32.9	3.98	38.3	4.61	41.7	5.12	43.6	5.49	44.6	5.93	45.6	6.01
	4	28.4	3.68	32.9	4.03	38.3	4.68	41.7	5.17	43.6	5.57	44.6	5.95	45.6	6.03
	6	28.4	3.72	32.9	4.07	38.3	4.75	41.7	5.23	43.6	5.63	44.6	6.00	45.6	6.04
	8	28.4	3.75	32.9	4.11	38.3	4.82	41.7	5.30	43.6	5.69	44.6	6.02	45.6	6.07
	10	28.4	3.79	32.9	4.18	38.3	4.87	41.7	5.41	43.6	5.70	44.6	6.04	45.6	6.10
	12	28.4	3.87	32.9	4.26	38.3	4.98	41.7	5.52	43.0	5.72	44.0	6.00	45.0	6.14
	14	28.4	3.94	32.9	4.36	38.3	5.09	41.7	5.64	42.4	5.76	43.5	6.09	44.5	6.22
	16	28.4	4.01	32.9	4.46	38.3	5.20	41.6	5.72	41.9	5.85	42.9	6.20	43.9	6.32
	18	28.4	4.09	32.9	4.55	38.3	5.39	40.7	5.90	41.3	6.01	42.3	6.35	43.4	6.41
	20	28.4	4.17	32.9	4.75	38.3	5.85	40.3	6.21	40.8	6.33	41.8	6.66	42.8	6.72
	21	28.4	4.21	32.9	4.93	38.3	6.08	39.6	6.60	40.5	6.49	41.6	6.82	42.5	6.89
	23	28.4	4.50	32.9	5.32	38.3	6.56	38.8	7.12	40.0	6.80	41.0	7.15	41.9	7.21
	25	28.4	4.80	32.9	5.72	37.7	6.87	38.3	7.43	39.4	7.12	40.5	7.47	41.4	7.54
	27	28.4	5.13	32.9	6.15	37.2	7.18	37.7	7.91	38.9	7.45	39.9	7.79	40.8	7.87
	29	28.4	5.47	32.9	6.60	36.6	7.49	37.1	8.25	38.3	7.76	39.2	8.12	40.3	8.20
	31	28.4	5.84	32.9	7.07	36.0	7.82	36.6	8.66	37.8	8.09	38.8	8.45	39.7	8.54
	33	28.4	6.21	32.9	7.57	35.5	8.14	36.0	9.02	37.2	8.41	38.1	8.78	39.1	8.86
	35	28.4	6.62	32.9	8.10	34.9	8.45	35.4	9.14	36.7	8.74	37.7	9.11	38.6	9.20
	37	28.4	7.04	32.9	8.66	34.4	8.78	34.9	9.20	35.7	9.25	37.0	9.44	38.0	9.54
	39	28.4	7.49	32.8	9.17	33.8	9.10	34.3	9.25	35.1	9.39	36.6	9.78	37.5	9.87
	41	28.4	7.90	32.5	9.24	33.5	9.42	34.0	9.69	34.5	9.72	35.6	10.10	36.5	10.21
	43	28.4	8.25	32.4	9.31	33.3	9.69	33.7	9.90	34.2	10.05	35.0	10.43	35.9	10.55
45	28.4	8.60	32.2	9.40	32.9	9.88	33.4	10.25	33.9	10.38	34.3	10.76	35.7	10.88	
48	28.4	9.86	32.0	10.13	32.6	10.41	33.1	10.68	33.6	10.96	33.6	11.23	35.2	11.51	
50	28.4	11.12	31.8	11.40	32.3	11.67	32.7	11.95	33.1	12.22	32.9	12.49	34.5	12.77	
52	28.4	12.38	31.6	12.66	31.9	12.93	32.3	13.21	32.7	13.48	32.2	13.76	33.9	14.03	
54	28.4	13.65	31.4	13.92	31.6	14.19	32.0	14.47	32.3	14.74	31.5	15.02	33.3	15.29	

Abbreviations:

CR: Combination ratio

TC: Total capacity (kW)

PI: Power input (compressor + outdoor fan motor) (kW)

Notes:

1. Shaded cells indicate rating condition.

Table continued on next page ...

Table 2-8.3: 12HP cooling capacity (continued)

CR	Outdoor air temp. (°CDB)	Indoor air temp. (°C DB/WD)													
		20.8/14		23.3/16		25.8/18		27/19		28.2/20		30.7/22		32/24	
		TC kW	PI kW	TC kW	PI kW	TC kW	PI kW	TC kW	PI kW	TC kW	PI kW	TC kW	PI kW	TC kW	PI kW
110%	-5	26.2	3.11	30.3	3.51	36.6	4.17	37.8	4.69	40.7	5.16	43.8	5.37	44.7	5.72
	-2	26.2	3.17	30.3	3.56	36.6	4.21	37.8	4.74	40.7	5.20	43.8	5.42	44.7	5.75
	0	26.2	3.20	30.3	3.58	36.6	4.24	37.8	4.77	40.7	5.26	43.8	5.48	44.7	5.82
	2	26.2	3.27	30.3	3.62	36.6	4.32	37.8	4.83	40.7	5.32	43.8	5.56	44.7	5.89
	4	26.2	3.34	30.3	3.67	36.6	4.36	37.8	4.89	40.7	5.40	43.8	5.64	44.7	5.95
	6	26.2	3.37	30.3	3.71	36.6	4.41	37.8	4.97	40.7	5.47	43.8	5.70	44.7	6.04
	8	26.2	3.40	30.3	3.78	36.6	4.47	37.8	5.03	40.7	5.53	43.8	5.74	44.7	6.10
	10	26.2	3.44	30.3	3.83	36.6	4.54	37.8	5.12	40.7	5.62	43.8	5.78	44.7	6.15
	12	26.2	3.52	30.3	3.92	36.6	4.63	37.8	5.23	40.7	5.73	43.3	5.87	44.1	6.23
	14	26.2	3.58	30.3	3.99	36.6	4.73	37.8	5.33	40.7	5.84	42.7	5.92	43.6	6.28
	16	26.2	3.64	30.3	4.08	36.6	4.83	37.8	5.43	40.7	5.96	42.2	5.99	43.0	6.35
	18	26.2	3.71	30.3	4.16	36.6	4.94	37.8	5.59	40.7	6.26	41.6	6.30	42.5	6.55
	20	26.2	3.78	30.3	4.26	36.6	5.25	37.8	6.03	40.1	6.57	41.1	6.62	41.9	6.86
	21	26.2	3.82	30.3	4.39	36.6	5.46	37.8	6.50	39.9	6.73	40.7	6.78	41.7	7.02
	23	26.2	4.00	30.3	4.74	36.6	5.89	37.8	6.92	39.2	7.03	40.2	7.11	41.1	7.35
	25	26.2	4.27	30.3	5.09	36.6	6.32	37.8	7.39	38.8	7.35	39.6	7.42	40.6	7.67
	27	26.2	4.55	30.3	5.47	36.6	6.80	37.3	7.74	38.1	7.67	39.1	7.74	40.0	8.00
	29	26.2	4.86	30.3	5.86	36.6	7.30	36.6	8.19	37.7	8.00	38.5	8.07	39.5	8.32
	31	26.2	5.17	30.3	6.27	36.6	7.82	35.9	8.65	37.1	8.31	38.0	8.39	38.9	8.65
	33	26.2	5.50	30.3	6.71	36.6	8.27	35.7	8.98	36.6	8.63	37.4	8.71	38.4	8.98
	35	26.2	5.85	30.3	7.17	34.6	8.59	34.8	9.09	36.0	8.96	36.8	9.04	37.8	9.31
	37	26.2	6.41	30.3	7.66	33.8	8.92	34.4	9.13	35.3	9.27	36.3	9.37	37.2	9.64
	39	26.2	6.96	30.3	8.18	33.2	9.23	33.7	9.46	34.7	9.60	35.7	9.70	36.7	9.98
	41	26.2	7.50	30.3	8.25	32.6	9.30	33.4	9.53	34.2	9.67	34.6	9.81	35.6	10.05
	43	26.2	8.05	30.3	8.36	32.0	9.37	33.0	9.60	33.6	9.74	34.3	10.07	35.1	10.25
	45	26.2	8.50	30.3	8.65	31.4	9.56	32.5	9.80	33.0	9.94	33.4	10.29	34.3	10.59
48	26.2	9.76	30.3	10.03	30.8	10.30	32.0	10.58	32.4	10.85	33.0	11.12	33.5	11.40	
50	26.2	11.01	29.6	11.29	30.1	11.56	31.5	11.83	31.9	12.10	32.3	12.38	32.8	12.65	
52	26.2	12.27	28.9	12.54	29.5	12.81	31.1	13.09	31.3	13.36	31.6	13.63	32.1	13.90	
54	26.2	13.52	28.2	13.80	28.9	14.07	30.6	14.34	30.7	14.61	31.0	14.89	31.3	15.16	
100%	-5	23.5	3.20	27.6	3.48	33.0	3.84	33.5	4.51	36.3	4.40	41.8	4.88	43.0	5.38
	-2	23.5	3.24	27.6	3.53	33.0	3.92	33.5	4.54	36.3	4.47	41.8	4.94	43.0	5.41
	0	23.5	3.28	27.6	3.57	33.0	3.98	33.5	4.61	36.3	4.51	41.8	5.03	43.0	5.47
	2	23.5	3.32	27.6	3.62	33.0	4.07	33.5	4.65	36.3	4.56	41.8	5.11	43.0	5.56
	4	23.5	3.36	27.6	3.68	33.0	4.13	33.5	4.72	36.3	4.63	41.8	5.16	43.0	5.63
	6	23.5	3.43	27.6	3.73	33.0	4.20	33.5	4.82	36.3	4.70	41.8	5.24	43.0	5.72
	8	23.5	3.48	27.6	3.81	33.0	4.28	33.5	4.91	36.3	4.78	41.8	5.33	43.0	5.81
	10	23.5	3.55	27.6	3.88	33.0	4.34	33.5	4.99	36.3	4.87	41.8	5.43	43.0	5.90
	12	23.5	3.62	27.6	3.96	33.0	4.51	33.5	5.09	36.3	4.97	41.8	5.53	42.4	5.95
	14	23.5	3.70	27.6	4.05	33.0	4.72	33.5	5.41	36.3	5.06	41.8	5.65	41.9	6.02
	16	23.5	3.77	27.6	4.15	33.0	4.83	33.5	5.55	36.3	5.17	40.5	5.73	41.3	6.09
	18	23.5	3.84	27.6	4.23	33.0	5.02	33.5	5.76	36.3	5.28	40.0	5.93	40.9	6.25
	20	23.5	3.93	27.6	4.37	33.0	5.44	33.5	6.16	36.3	5.68	39.4	6.23	40.3	6.56
	21	23.5	3.96	27.6	4.56	33.0	5.82	33.5	6.53	36.3	5.88	39.2	6.39	40.0	6.72
	23	23.5	4.24	27.6	4.92	33.0	6.26	33.5	6.98	36.3	6.33	38.7	6.70	39.4	7.03
	25	23.5	4.54	27.6	5.30	33.0	6.76	33.5	7.33	36.3	6.80	38.1	7.02	39.0	7.34
	27	23.5	4.85	27.6	5.70	33.0	7.16	33.5	7.77	36.3	7.29	37.5	7.33	38.4	7.67
	29	23.5	5.19	27.6	6.12	33.0	7.70	33.5	8.00	36.2	7.76	37.0	7.92	37.9	7.98
	31	23.5	5.55	27.6	6.56	33.0	8.23	33.5	8.15	35.7	8.07	36.4	8.21	37.3	8.31
	33	23.5	5.92	27.6	7.03	33.0	8.62	33.5	8.38	35.1	8.39	36.0	8.51	36.8	8.63
	35	23.5	6.31	27.6	7.54	33.0	8.80	33.5	8.93	34.5	8.94	35.4	9.03	36.2	9.12
	37	23.5	6.73	27.6	8.07	33.0	8.86	33.1	9.34	34.2	9.47	34.9	9.59	35.6	9.72
	39	23.5	7.16	27.6	8.62	33.0	9.02	32.6	9.70	33.7	9.86	34.3	10.06	35.1	10.14
	41	23.5	7.43	27.6	8.96	33.0	9.15	32.2	10.05	33.2	10.25	33.0	10.35	34.6	10.46
	43	23.5	7.70	27.6	9.13	33.0	9.46	32.1	10.52	32.8	10.69	33.2	10.87	33.4	10.96
	45	23.5	8.06	27.6	9.39	33.0	10.05	31.9	11.19	32.3	11.81	33.0	12.40	32.8	12.64
48	23.5	9.29	27.6	10.00	33.0	10.72	31.5	12.06	31.8	12.77	32.2	13.49	32.3	14.20	
50	23.5	10.52	27.6	11.23	33.0	11.95	31.3	12.66	31.4	13.38	31.7	14.09	31.8	14.81	
52	23.5	11.75	27.6	12.47	33.0	13.18	31.0	13.90	30.9	14.61	31.2	15.32	31.4	16.04	
54	23.5	12.99	27.6	13.70	33.0	14.41	30.7	15.13	30.4	15.84	30.7	16.56	30.9	17.27	

**Abbreviations:**

CR: Combination ratio

TC: Total capacity (kW)

PI: Power input (compressor + outdoor fan motor) (kW)

**Notes:**

- Shaded cells indicate rating condition.

Table continued on next page ...

Table 2-8.3: 12HP cooling capacity (continued)

CR	Outdoor air temp. (°CDB)	Indoor air temp. (°C DB/WD)													
		20.8/14		23.3/16		25.8/18		27/19		28.2/20		30.7/22		32/24	
		TC kW	PI kW	TC kW	PI kW	TC kW	PI kW	TC kW	PI kW	TC kW	PI kW	TC kW	PI kW	TC kW	PI kW
90%	-5	20.4	2.56	24.4	2.79	28.3	3.07	30.3	3.61	32.8	3.52	37.3	3.90	40.1	4.30
	-2	20.4	2.59	24.4	2.82	28.3	3.13	30.3	3.63	32.8	3.57	37.3	3.95	40.1	4.33
	0	20.4	2.62	24.4	2.86	28.3	3.19	30.3	3.69	32.8	3.61	37.3	4.02	40.1	4.38
	2	20.4	2.66	24.4	2.89	28.3	3.26	30.3	3.72	32.8	3.65	37.3	4.09	40.1	4.45
	4	20.4	2.69	24.4	2.94	28.3	3.30	30.3	3.78	32.8	3.70	37.3	4.13	40.1	4.50
	6	20.4	2.74	24.4	2.99	28.3	3.36	30.3	3.86	32.8	3.76	37.3	4.19	40.1	4.57
	8	20.4	2.79	24.4	3.05	28.3	3.42	30.3	3.93	32.8	3.82	37.3	4.26	40.1	4.65
	10	20.4	2.84	24.4	3.10	28.3	3.47	30.3	3.99	32.8	3.90	37.3	4.34	40.1	4.72
	12	20.4	2.90	24.4	3.17	28.3	3.61	30.3	4.07	32.8	3.97	37.3	4.43	40.1	4.76
	14	20.4	2.96	24.4	3.24	28.3	3.77	30.3	4.33	32.8	4.05	37.3	4.52	40.1	4.82
	16	20.4	3.01	24.4	3.32	28.3	3.87	30.3	4.44	32.8	4.14	37.3	4.58	40.1	4.87
	18	20.4	3.07	24.4	3.38	28.3	4.01	30.3	4.61	32.8	4.22	37.3	4.75	40.1	5.00
	20	20.4	3.14	24.4	3.50	28.3	4.35	30.3	4.93	32.8	4.54	37.3	4.99	40.1	5.25
	21	20.4	3.17	24.4	3.64	28.3	4.66	30.3	5.23	32.8	4.71	37.3	5.11	40.1	5.37
	23	20.4	3.39	24.4	3.93	28.3	5.01	30.3	5.59	32.8	5.06	37.3	5.36	40.1	5.62
	25	20.4	3.63	24.4	4.24	28.3	5.41	30.3	5.87	32.8	5.44	37.3	5.61	40.1	5.87
	27	20.4	3.88	24.4	4.56	28.3	5.73	30.3	6.22	32.8	5.83	37.3	5.86	40.1	6.13
	29	20.4	4.15	24.4	4.90	28.3	6.16	30.3	6.40	32.8	6.21	37.3	6.34	40.1	6.38
	31	20.4	4.44	24.4	5.25	28.3	6.58	30.3	6.52	32.8	6.46	37.3	6.56	40.1	6.64
	33	20.4	4.74	24.4	5.63	28.3	6.90	30.3	6.70	32.8	6.71	37.3	6.81	40.1	6.90
	35	20.4	5.05	24.4	6.03	28.3	7.04	30.3	7.14	32.8	7.16	37.3	7.23	40.1	7.30
	37	20.4	5.38	24.4	6.46	28.3	7.09	30.3	7.46	32.8	7.58	37.3	7.67	40.1	7.77
	39	20.4	5.73	24.4	6.90	28.3	7.22	30.3	7.59	32.8	7.89	37.3	8.05	40.1	8.11
	41	20.4	5.94	24.4	7.17	28.3	7.32	30.3	7.73	32.8	8.20	37.3	8.28	40.1	8.37
43	20.4	6.16	24.4	7.31	28.3	7.57	30.3	7.87	32.8	8.55	37.3	8.70	40.1	8.77	
45	20.4	6.44	24.4	7.51	28.3	8.04	30.3	8.01	32.8	8.73	37.3	9.07	40.1	9.26	
48	20.4	7.43	24.4	7.79	28.3	8.14	30.3	8.50	32.8	8.86	37.3	9.22	40.1	9.57	
50	20.4	8.42	24.4	8.77	28.3	9.13	30.3	9.49	32.8	9.85	37.3	10.20	40.1	10.56	
52	20.4	9.40	24.4	9.76	28.3	10.12	30.3	10.47	32.8	10.83	37.3	11.19	40.1	11.55	
54	20.4	10.39	24.4	10.75	28.3	11.10	30.3	11.46	32.8	11.82	37.3	12.17	40.1	12.53	
80%	-5	18.2	1.96	21.7	2.02	25.2	2.35	27.0	2.19	29.3	2.92	33.3	3.36	35.8	3.84
	-2	18.2	1.98	21.7	2.04	25.2	2.38	27.0	2.20	29.3	2.95	33.3	3.39	35.8	3.88
	0	18.2	2.01	21.7	2.07	25.2	2.42	27.0	2.25	29.3	2.99	33.3	3.43	35.8	3.91
	2	18.2	2.04	21.7	2.10	25.2	2.45	27.0	2.34	29.3	3.04	33.3	3.50	35.8	3.97
	4	18.2	2.06	21.7	2.13	25.2	2.49	27.0	2.35	29.3	3.08	33.3	3.55	35.8	4.03
	6	18.2	2.10	21.7	2.18	25.2	2.54	27.0	2.42	29.3	3.13	33.3	3.61	35.8	4.09
	8	18.2	2.13	21.7	2.22	25.2	2.60	27.0	2.51	29.3	3.19	33.3	3.68	35.8	4.13
	10	18.2	2.17	21.7	2.27	25.2	2.65	27.0	2.54	29.3	3.26	33.3	3.72	35.8	4.20
	12	18.2	2.22	21.7	2.31	25.2	2.70	27.0	2.60	29.3	3.32	33.3	3.79	35.8	4.28
	14	18.2	2.26	21.7	2.36	25.2	2.75	27.0	2.65	29.3	3.38	33.3	3.86	35.8	4.35
	16	18.2	2.31	21.7	2.40	25.2	2.81	27.0	2.72	29.3	3.45	33.3	3.94	35.8	4.43
	18	18.2	2.35	21.7	2.45	25.2	2.86	27.0	2.81	29.3	3.52	33.3	4.02	35.8	4.57
	20	18.2	2.40	21.7	2.51	25.2	2.92	27.0	3.06	29.3	3.65	33.3	4.32	35.8	4.79
	21	18.2	2.43	21.7	2.53	25.2	2.97	27.0	3.29	29.3	3.78	33.3	4.48	35.8	4.90
	23	18.2	2.59	21.7	2.63	25.2	3.20	27.0	3.57	29.3	4.05	33.3	4.80	35.8	5.12
	25	18.2	2.78	21.7	2.82	25.2	3.43	27.0	3.84	29.3	4.33	33.3	5.14	35.8	5.35
	27	18.2	2.97	21.7	3.01	25.2	3.67	27.0	4.20	29.3	4.63	33.3	5.50	35.8	5.57
	29	18.2	3.18	21.7	3.22	25.2	3.93	27.0	4.38	29.3	4.95	33.3	5.75	35.8	5.79
	31	18.2	3.40	21.7	3.43	25.2	4.20	27.0	4.68	29.3	5.28	33.3	5.98	35.8	6.03
	33	18.2	3.63	21.7	3.66	25.2	4.49	27.0	4.99	29.3	5.63	33.3	6.21	35.8	6.25
	35	18.2	3.86	21.7	3.90	25.2	4.79	27.0	5.47	29.3	6.00	33.3	6.43	35.8	6.48
	37	18.2	4.12	21.7	4.15	25.2	5.11	27.0	5.72	29.3	6.40	33.3	6.66	35.8	6.71
	39	18.2	4.39	21.7	4.43	25.2	5.45	27.0	5.94	29.3	6.82	33.3	6.89	35.8	6.94
	41	18.2	4.55	21.7	4.63	25.2	5.65	27.0	6.15	29.3	6.85	33.3	7.07	35.8	7.11
43	18.2	4.71	21.7	4.84	25.2	5.86	27.0	6.44	29.3	7.00	33.3	7.16	35.8	7.22	
45	18.2	4.93	21.7	5.08	25.2	6.11	27.0	6.85	29.3	7.19	33.3	7.23	35.8	7.31	
48	18.2	5.69	21.7	6.12	25.2	6.56	27.0	7.00	29.3	7.44	33.3	7.87	35.8	8.31	
50	18.2	6.44	21.7	6.88	25.2	7.32	27.0	7.75	29.3	8.19	33.3	8.63	35.8	9.06	
52	18.2	7.20	21.7	7.63	25.2	8.07	27.0	8.51	29.3	8.94	33.3	9.38	35.8	9.82	
54	18.2	7.95	21.7	8.39	25.2	8.82	27.0	9.26	29.3	9.70	33.3	10.14	35.8	10.57	

Abbreviations:

CR: Combination ratio

TC: Total capacity (kW)

PI: Power input (compressor + outdoor fan motor) (kW)

Notes:

- 2. Shaded cells indicate rating condition.

Table continued on next page ...

Table 2-8.3: 12HP cooling capacity (continued)

CR	Outdoor air temp. (°CDB)	Indoor air temp. (°C DB/WD)													
		20.8/14		23.3/16		25.8/18		27/19		28.2/20		30.7/22		32/24	
		TC kW	PI kW	TC kW	PI kW	TC kW	PI kW	TC kW	PI kW	TC kW	PI kW	TC kW	PI kW	TC kW	PI kW
70%	-5	15.9	1.59	19.1	1.64	22.1	1.91	23.7	2.20	25.7	2.37	29.2	2.72	31.4	3.12
	-2	15.9	1.61	19.1	1.66	22.1	1.93	23.7	2.21	25.7	2.40	29.2	2.75	31.4	3.15
	0	15.9	1.63	19.1	1.68	22.1	1.96	23.7	2.22	25.7	2.43	29.2	2.78	31.4	3.17
	2	15.9	1.65	19.1	1.70	22.1	1.99	23.7	2.28	25.7	2.46	29.2	2.84	31.4	3.22
	4	15.9	1.67	19.1	1.73	22.1	2.02	23.7	2.32	25.7	2.50	29.2	2.88	31.4	3.27
	6	15.9	1.70	19.1	1.76	22.1	2.06	23.7	2.36	25.7	2.54	29.2	2.93	31.4	3.32
	8	15.9	1.73	19.1	1.80	22.1	2.11	23.7	2.40	25.7	2.58	29.2	2.98	31.4	3.35
	10	15.9	1.76	19.1	1.84	22.1	2.15	23.7	2.45	25.7	2.64	29.2	3.02	31.4	3.40
	12	15.9	1.80	19.1	1.88	22.1	2.19	23.7	2.49	25.7	2.69	29.2	3.08	31.4	3.47
	14	15.9	1.84	19.1	1.91	22.1	2.23	23.7	2.57	25.7	2.74	29.2	3.13	31.4	3.53
	16	15.9	1.87	19.1	1.95	22.1	2.28	23.7	2.58	25.7	2.80	29.2	3.20	31.4	3.59
	18	15.9	1.91	19.1	1.99	22.1	2.32	23.7	2.59	25.7	2.85	29.2	3.26	31.4	3.71
	20	15.9	1.95	19.1	2.04	22.1	2.37	23.7	2.76	25.7	2.96	29.2	3.50	31.4	3.88
	21	15.9	1.97	19.1	2.05	22.1	2.41	23.7	2.95	25.7	3.06	29.2	3.63	31.4	3.97
	23	15.9	2.10	19.1	2.13	22.1	2.59	23.7	3.11	25.7	3.29	29.2	3.89	31.4	4.15
	25	15.9	2.25	19.1	2.29	22.1	2.78	23.7	3.34	25.7	3.51	29.2	4.17	31.4	4.33
	27	15.9	2.41	19.1	2.44	22.1	2.98	23.7	3.58	25.7	3.75	29.2	4.46	31.4	4.52
	29	15.9	2.58	19.1	2.61	22.1	3.19	23.7	3.75	25.7	4.01	29.2	4.66	31.4	4.70
	31	15.9	2.76	19.1	2.79	22.1	3.40	23.7	4.00	25.7	4.28	29.2	4.85	31.4	4.89
	33	15.9	2.94	19.1	2.97	22.1	3.64	23.7	4.24	25.7	4.57	29.2	5.03	31.4	5.07
	35	15.9	3.13	19.1	3.16	22.1	3.89	23.7	4.43	25.7	4.87	29.2	5.22	31.4	5.26
37	15.9	3.34	19.1	3.37	22.1	4.15	23.7	4.63	25.7	5.19	29.2	5.40	31.4	5.44	
39	15.9	3.56	19.1	3.59	22.1	4.42	23.7	4.81	25.7	5.53	29.2	5.59	31.4	5.63	
41	15.9	3.69	19.1	3.76	22.1	4.58	23.7	4.99	25.7	5.56	29.2	5.73	31.4	5.76	
43	15.9	3.82	19.1	3.92	22.1	4.75	23.7	5.22	25.7	5.68	29.2	5.80	31.4	5.85	
45	15.9	4.00	19.1	4.12	22.1	4.95	23.7	5.56	25.7	5.83	29.2	6.31	31.4	6.58	
48	15.9	4.61	19.1	5.05	22.1	5.50	23.7	5.94	25.7	6.38	29.2	6.83	31.4	7.27	
50	15.9	5.22	19.1	5.67	22.1	6.11	23.7	6.55	25.7	7.00	29.2	7.44	31.4	7.88	
52	15.9	5.83	19.1	6.28	22.1	6.72	23.7	7.16	25.7	7.61	29.2	8.05	31.4	8.49	
54	15.9	6.45	19.1	6.89	22.1	7.33	23.7	7.78	25.7	8.22	29.2	8.66	31.4	9.11	
60%	-5	13.6	1.28	16.2	1.39	18.9	1.54	20.2	1.97	21.9	2.14	25.0	2.38	26.8	2.73
	-2	13.6	1.30	16.2	1.41	18.9	1.56	20.2	1.99	21.9	2.18	25.0	2.42	26.8	2.75
	0	13.6	1.31	16.2	1.43	18.9	1.58	20.2	2.02	21.9	2.21	25.0	2.46	26.8	2.79
	2	13.6	1.33	16.2	1.45	18.9	1.60	20.2	2.06	21.9	2.24	25.0	2.51	26.8	2.82
	4	13.6	1.34	16.2	1.47	18.9	1.63	20.2	2.08	21.9	2.29	25.0	2.54	26.8	2.86
	6	13.6	1.37	16.2	1.49	18.9	1.66	20.2	2.13	21.9	2.33	25.0	2.60	26.8	2.93
	8	13.6	1.39	16.2	1.53	18.9	1.70	20.2	2.17	21.9	2.38	25.0	2.64	26.8	2.98
	10	13.6	1.42	16.2	1.55	18.9	1.73	20.2	2.23	21.9	2.42	25.0	2.69	26.8	2.97
	12	13.6	1.45	16.2	1.59	18.9	1.76	20.2	2.27	21.9	2.47	25.0	2.74	26.8	3.02
	14	13.6	1.48	16.2	1.62	18.9	1.80	20.2	2.31	21.9	2.51	25.0	2.79	26.8	3.07
	16	13.6	1.51	16.2	1.66	18.9	1.84	20.2	2.35	21.9	2.56	25.0	2.84	26.8	3.13
	18	13.6	1.54	16.2	1.69	18.9	1.87	20.2	2.39	21.9	2.61	25.0	2.89	26.8	3.19
	20	13.6	1.57	16.2	1.75	18.9	1.91	20.2	2.44	21.9	2.63	25.0	2.95	26.8	3.25
	21	13.6	1.59	16.2	1.82	18.9	1.94	20.2	2.61	21.9	2.68	25.0	2.98	26.8	3.32
	23	13.6	1.70	16.2	1.97	18.9	2.09	20.2	2.79	21.9	2.84	25.0	3.10	26.8	3.35
	25	13.6	1.82	16.2	2.12	18.9	2.24	20.2	2.95	21.9	3.03	25.0	3.31	26.8	3.56
	27	13.6	1.94	16.2	2.28	18.9	2.40	20.2	3.09	21.9	3.23	25.0	3.52	26.8	3.80
	29	13.6	2.08	16.2	2.45	18.9	2.57	20.2	3.22	21.9	3.44	25.0	3.76	26.8	4.06
	31	13.6	2.22	16.2	2.63	18.9	2.75	20.2	3.40	21.9	3.65	25.0	4.00	26.8	4.33
	33	13.6	2.37	16.2	2.82	18.9	2.94	20.2	3.54	21.9	3.88	25.0	4.25	26.8	4.61
	35	13.6	2.52	16.2	3.02	18.9	3.13	20.2	3.57	21.9	4.12	25.0	4.53	26.8	4.92
37	13.6	2.69	16.2	3.23	18.9	3.34	20.2	3.74	21.9	4.37	25.0	4.82	26.8	5.23	
39	13.6	2.87	16.2	3.45	18.9	3.56	20.2	3.88	21.9	4.53	25.0	5.11	26.8	5.57	
41	13.6	2.97	16.2	3.58	18.9	3.70	20.2	4.02	21.9	4.69	25.0	5.35	26.8	5.92	
43	13.6	3.08	16.2	3.66	18.9	3.83	20.2	4.21	21.9	4.92	25.0	5.58	26.8	6.19	
45	13.6	3.33	16.2	4.11	18.9	4.35	20.2	4.59	21.9	5.32	25.0	5.83	26.8	6.46	
48	13.6	3.82	16.2	4.29	18.9	4.75	20.2	5.22	21.9	5.68	25.0	6.15	26.8	6.61	
50	13.6	4.32	16.2	4.78	18.9	5.25	20.2	5.71	21.9	6.18	25.0	6.64	26.8	7.11	
52	13.6	4.81	16.2	5.28	18.9	5.74	20.2	6.20	21.9	6.67	25.0	7.13	26.8	7.60	
54	13.6	5.30	16.2	5.77	18.9	6.23	20.2	6.70	21.9	7.16	25.0	7.63	26.8	8.09	

**Abbreviations:**

CR: Combination ratio

TC: Total capacity (kW)

PI: Power input (compressor + outdoor fan motor) (kW)

**Notes:**

1. Shaded cells indicate rating condition.

Table continued on next page ...

Table 2-8.3: 12HP cooling capacity (continued)

CR	Outdoor air temp. (°CDB)	Indoor air temp. (°C DB/WD)													
		20.8/14		23.3/16		25.8/18		27/19		28.2/20		30.7/22		32/24	
		TC kW	PI kW	TC kW	PI kW	TC kW	PI kW	TC kW	PI kW	TC kW	PI kW	TC kW	PI kW	TC kW	PI kW
50%	-5	11.4	1.06	13.7	1.15	15.8	1.27	16.9	1.75	18.3	1.81	20.9	2.06	22.5	2.22
	-2	11.4	1.07	13.7	1.17	15.8	1.29	16.9	1.79	18.3	1.84	20.9	2.09	22.5	2.25
	0	11.4	1.09	13.7	1.18	15.8	1.31	16.9	1.80	18.3	1.86	20.9	2.12	22.5	2.29
	2	11.4	1.10	13.7	1.20	15.8	1.33	16.9	1.80	18.3	1.90	20.9	2.13	22.5	2.33
	4	11.4	1.11	13.7	1.22	15.8	1.35	16.9	1.81	18.3	1.94	20.9	2.18	22.5	2.39
	6	11.4	1.14	13.7	1.24	15.8	1.38	16.9	1.82	18.3	1.97	20.9	2.22	22.5	2.46
	8	11.4	1.15	13.7	1.26	15.8	1.41	16.9	1.83	18.3	2.00	20.9	2.25	22.5	2.54
	10	11.4	1.18	13.7	1.29	15.8	1.43	16.9	1.81	18.3	2.06	20.9	2.31	22.5	2.58
	12	11.4	1.20	13.7	1.31	15.8	1.46	16.9	1.82	18.3	2.10	20.9	2.35	22.5	2.62
	14	11.4	1.23	13.7	1.34	15.8	1.49	16.9	1.83	18.3	2.13	20.9	2.39	22.5	2.67
	16	11.4	1.25	13.7	1.37	15.8	1.52	16.9	1.84	18.3	2.16	20.9	2.44	22.5	2.71
	18	11.4	1.27	13.7	1.40	15.8	1.55	16.9	1.84	18.3	2.20	20.9	2.48	22.5	2.76
	20	11.4	1.30	13.7	1.45	15.8	1.58	16.9	1.93	18.3	2.24	20.9	2.52	22.5	2.82
	21	11.4	1.31	13.7	1.51	15.8	1.61	16.9	2.03	18.3	2.26	20.9	2.55	22.5	2.85
	23	11.4	1.40	13.7	1.63	15.8	1.73	16.9	2.16	18.3	2.30	20.9	2.59	22.5	2.91
	25	11.4	1.50	13.7	1.76	15.8	1.86	16.9	2.30	18.3	2.37	20.9	2.72	22.5	3.10
	27	11.4	1.61	13.7	1.89	15.8	1.99	16.9	2.48	18.3	2.52	20.9	2.90	22.5	3.31
	29	11.4	1.72	13.7	2.03	15.8	2.13	16.9	2.56	18.3	2.68	20.9	3.08	22.5	3.52
	31	11.4	1.84	13.7	2.18	15.8	2.27	16.9	2.73	18.3	2.85	20.9	3.28	22.5	3.75
	33	11.4	1.96	13.7	2.33	15.8	2.43	16.9	2.88	18.3	3.02	20.9	3.48	22.5	3.99
35	11.4	2.09	13.7	2.50	15.8	2.60	16.9	2.96	18.3	3.20	20.9	3.70	22.5	4.23	
37	11.4	2.23	13.7	2.67	15.8	2.77	16.9	3.09	18.3	3.39	20.9	3.93	22.5	4.50	
39	11.4	2.37	13.7	2.86	15.8	2.95	16.9	3.21	18.3	3.60	20.9	4.16	22.5	4.78	
41	11.4	2.46	13.7	2.97	15.8	3.06	16.9	3.33	18.3	3.75	20.9	4.38	22.5	5.00	
43	11.4	2.55	13.7	3.03	15.8	3.17	16.9	3.55	18.3	3.85	20.9	4.61	22.5	5.22	
45	11.4	2.67	13.7	3.41	15.8	3.63	16.9	3.92	18.3	4.30	20.9	5.05	22.5	5.44	
48	11.4	3.14	13.7	3.58	15.8	4.03	16.9	4.47	18.3	4.91	20.9	5.36	22.5	5.80	
50	11.4	3.60	13.7	4.05	15.8	4.49	16.9	4.94	18.3	5.38	20.9	5.82	22.5	6.27	
52	11.4	4.07	13.7	4.52	15.8	4.96	16.9	5.40	18.3	5.85	20.9	6.29	22.5	6.74	
54	11.4	4.54	13.7	4.98	15.8	5.43	16.9	5.87	18.3	6.32	20.9	6.76	22.5	7.20	

Abbreviations:

CR: Combination ratio

TC: Total capacity (kW)

PI: Power input (compressor + outdoor fan motor) (kW)

Notes:

1. Shaded cells indicate rating condition.

Table 2-8.4: 14HP cooling capacity

CR	Outdoor air temp. (°CDB)	Indoor air temp. (°C DB/WD)													
		20.8/14		23.3/16		25.8/18		27/19		28.2/20		30.7/22		32/24	
		TC	PI	TC	PI	TC	PI	TC	PI	TC	PI	TC	PI	TC	PI
		kW	kW	kW	kW	kW	kW	kW	kW	kW	kW	kW	kW	kW	kW
130%	-5	36.2	4.53	44.0	5.07	49.7	5.47	51.1	5.94	54.7	6.34	56.2	6.89	56.6	6.94
	-2	36.2	4.53	44.0	5.18	49.7	5.47	51.5	5.98	54.7	6.34	56.2	6.98	56.6	7.01
	0	36.2	4.61	44.0	5.28	49.7	5.69	51.5	6.32	54.7	6.71	56.2	7.07	56.6	7.10
	2	36.2	4.69	44.0	5.29	49.7	5.90	51.5	6.68	54.7	6.79	56.2	7.12	56.6	7.21
	4	36.2	4.79	44.0	5.40	49.7	6.12	51.5	6.71	54.7	6.87	56.2	7.11	56.6	7.34
	6	36.2	4.89	44.0	5.52	49.7	6.36	51.5	6.77	53.7	7.09	54.5	7.11	56.6	7.40
	8	36.2	5.00	44.0	5.66	49.7	6.70	51.5	7.11	53.2	7.32	53.9	7.15	56.0	7.47
	10	36.2	5.11	44.0	5.79	49.7	6.97	51.5	7.36	52.7	7.37	53.8	7.37	55.3	7.69
	12	36.2	5.20	44.0	5.91	49.7	7.12	51.0	7.45	51.9	7.56	53.3	7.50	54.7	7.73
	14	36.2	5.30	44.0	6.03	49.4	7.15	50.6	7.48	51.3	7.63	53.0	7.63	54.0	7.91
	16	36.2	5.39	44.0	6.16	48.8	7.35	49.7	7.63	50.6	7.79	52.6	7.81	53.5	8.03
	18	36.2	5.49	44.0	6.30	48.1	7.46	48.9	7.73	50.0	8.00	52.2	8.08	53.0	8.15
	20	36.2	5.61	44.0	6.73	47.6	7.85	48.2	8.12	49.3	8.39	51.8	8.46	52.5	8.55
	21	36.2	5.76	44.0	6.98	47.4	8.04	48.3	8.31	48.7	8.58	51.4	8.67	52.0	8.75
	23	36.2	6.18	44.0	7.52	46.5	8.43	47.2	8.70	48.0	8.97	51.1	9.06	51.5	9.15
	25	36.2	6.60	44.0	8.09	45.7	8.82	46.5	9.09	47.4	9.38	50.7	9.47	51.0	9.55
	27	36.2	7.05	44.0	8.69	45.2	9.21	45.9	9.68	46.7	9.76	50.3	9.87	50.5	9.97
	29	36.2	7.52	44.0	9.31	44.4	9.59	45.2	10.20	46.1	10.17	49.9	10.27	50.0	10.38
	31	36.2	8.03	42.5	9.88	43.8	10.00	44.6	10.70	45.4	10.55	49.6	10.67	49.5	10.79
	33	36.2	8.55	41.8	10.27	43.1	10.39	43.9	11.28	44.8	10.96	49.2	11.08	49.0	11.20
	35	36.2	9.12	41.1	10.66	42.5	10.79	43.1	11.30	44.1	11.36	48.8	11.50	48.5	11.61
37	36.2	9.70	40.5	11.13	41.8	11.19	42.6	11.48	43.5	11.78	48.4	11.91	48.0	12.05	
39	36.2	10.33	39.8	11.58	41.1	11.63	41.9	11.88	43.1	12.18	48.1	12.32	47.5	12.47	
41	36.2	10.87	39.4	12.02	40.6	12.07	41.3	12.28	42.0	12.52	43.3	12.65	47.0	12.80	
43	36.2	11.30	39.1	12.46	40.4	12.84	40.6	13.02	41.5	13.16	42.5	13.27	46.5	13.40	
45	36.2	11.73	38.8	13.01	40.0	13.39	39.9	13.65	40.9	13.79	41.3	13.87	46.0	14.16	
48	36.2	13.29	38.6	13.63	39.6	13.97	39.3	14.31	40.3	14.65	40.2	14.99	45.5	15.33	
50	36.2	14.85	37.4	15.19	38.7	15.53	38.6	15.87	39.6	16.21	37.7	16.55	45.0	16.89	
52	36.2	16.41	36.8	16.75	38.2	17.09	37.9	17.43	39.0	17.77	36.0	18.11	44.5	18.45	
54	36.2	17.97	36.2	18.31	37.7	18.65	37.3	18.99	38.3	19.33	34.2	19.67	44.0	20.00	
120%	-5	33.9	4.37	39.3	4.73	45.7	5.47	49.7	6.15	52.1	6.55	53.3	7.12	54.4	7.31
	-2	33.9	4.41	39.3	4.79	45.7	5.53	49.7	6.19	52.1	6.64	53.3	7.18	54.4	7.34
	0	33.9	4.45	39.3	4.82	45.7	5.61	49.7	6.21	52.1	6.70	53.3	7.22	54.4	7.35
	2	33.9	4.46	39.3	4.88	45.7	5.65	49.7	6.27	52.1	6.73	53.3	7.28	54.4	7.37
	4	33.9	4.51	39.3	4.95	45.7	5.74	49.7	6.34	52.1	6.83	53.3	7.29	54.4	7.39
	6	33.9	4.56	39.3	4.99	45.7	5.82	49.7	6.41	52.1	6.90	53.3	7.35	54.4	7.41
	8	33.9	4.60	39.3	5.05	45.7	5.91	49.7	6.50	52.1	6.98	53.3	7.38	54.4	7.45
	10	33.9	4.65	39.3	5.12	45.7	5.97	49.7	6.63	52.1	6.99	53.3	7.40	54.4	7.48
	12	33.9	4.74	39.3	5.23	45.7	6.10	49.7	6.77	51.4	7.02	52.5	7.36	53.7	7.53
	14	33.9	4.83	39.3	5.34	45.7	6.24	49.7	6.92	50.6	7.06	52.0	7.47	53.1	7.62
	16	33.9	4.92	39.3	5.46	45.7	6.37	49.7	7.02	50.1	7.18	51.2	7.60	52.4	7.74
	18	33.9	5.01	39.3	5.58	45.7	6.61	48.7	7.23	49.3	7.37	50.5	7.78	51.8	7.86
	20	33.9	5.11	39.3	5.82	45.7	7.18	48.2	7.62	48.8	7.76	49.9	8.17	51.1	8.24
	21	33.9	5.16	39.3	6.04	45.7	7.46	47.3	8.09	48.3	7.95	49.6	8.36	50.8	8.45
	23	33.9	5.52	39.3	6.52	45.7	8.04	46.3	8.73	47.7	8.34	48.9	8.77	50.1	8.84
	25	33.9	5.89	39.3	7.01	45.0	8.43	45.7	9.11	47.0	8.73	48.3	9.15	49.5	9.24
	27	33.9	6.29	39.3	7.54	44.4	8.80	45.0	9.70	46.4	9.13	47.6	9.56	48.8	9.65
	29	33.9	6.71	39.3	8.09	43.7	9.19	44.3	10.12	45.7	9.52	46.9	9.96	48.2	10.05
	31	33.9	7.16	39.3	8.67	43.0	9.59	43.7	10.61	45.1	9.92	46.3	10.36	47.4	10.47
	33	33.9	7.62	39.3	9.28	42.4	9.98	43.0	11.06	44.4	10.31	45.5	10.77	46.7	10.87
	35	33.9	8.11	39.3	9.94	41.7	10.37	42.2	11.21	43.8	10.71	45.0	11.17	46.1	11.29
37	33.9	8.63	39.3	10.62	41.1	10.77	41.7	11.28	42.7	11.35	44.2	11.57	45.4	11.70	
39	33.9	9.18	39.2	11.25	40.3	11.16	41.0	11.35	41.9	11.52	43.7	11.99	44.8	12.11	
41	33.9	9.69	38.9	11.33	40.0	11.55	40.6	11.88	41.2	11.92	42.5	12.39	43.6	12.52	
43	33.9	10.12	38.6	11.42	39.7	11.88	40.3	12.14	40.9	12.32	41.8	12.79	42.9	12.93	
45	33.9	10.54	38.4	11.53	39.3	12.11	39.9	12.57	40.5	12.72	40.9	13.20	42.6	13.34	
48	33.9	12.09	38.2	12.43	39.0	12.76	39.5	13.10	40.2	13.44	40.1	13.77	42.1	14.11	
50	33.9	13.64	38.0	13.97	38.5	14.31	39.0	14.65	39.5	14.98	39.2	15.32	41.1	15.66	
52	33.9	15.19	37.7	15.52	38.1	15.86	38.6	16.19	39.0	16.53	38.4	16.87	40.5	17.20	
54	33.9	16.73	37.5	17.07	37.7	17.41	38.2	17.74	38.6	18.08	37.6	18.41	39.8	18.75	

**Abbreviations:**

CR: Combination ratio

TC: Total capacity (kW)

PI: Power input (compressor + outdoor fan motor) (kW)

**Notes:**

1. Shaded cells indicate rating condition.

Table continued on next page ...



Table 2-8.4: 14HP cooling capacity (continued)

CR	Outdoor air temp. (°CDB)	Indoor air temp. (°C DB/WD)													
		20.8/14		23.3/16		25.8/18		27/19		28.2/20		30.7/22		32/24	
		TC	PI	TC	PI	TC	PI	TC	PI	TC	PI	TC	PI	TC	PI
		kW	kW	kW	kW	kW	kW	kW	kW	kW	kW	kW	kW	kW	kW
110%	-5	31.3	3.82	36.1	4.31	43.7	5.11	45.1	5.75	48.6	6.33	52.3	6.58	53.4	7.01
	-2	31.3	3.89	36.1	4.37	43.7	5.16	45.1	5.81	48.6	6.38	52.3	6.65	53.4	7.05
	0	31.3	3.93	36.1	4.40	43.7	5.20	45.1	5.85	48.6	6.45	52.3	6.71	53.4	7.13
	2	31.3	4.02	36.1	4.44	43.7	5.29	45.1	5.92	48.6	6.52	52.3	6.81	53.4	7.22
	4	31.3	4.10	36.1	4.50	43.7	5.35	45.1	6.00	48.6	6.62	52.3	6.91	53.4	7.29
	6	31.3	4.14	36.1	4.55	43.7	5.41	45.1	6.10	48.6	6.70	52.3	6.99	53.4	7.40
	8	31.3	4.17	36.1	4.63	43.7	5.48	45.1	6.16	48.6	6.78	52.3	7.03	53.4	7.48
	10	31.3	4.22	36.1	4.70	43.7	5.56	45.1	6.28	48.6	6.90	52.3	7.09	53.4	7.54
	12	31.3	4.31	36.1	4.81	43.7	5.68	45.1	6.41	48.6	7.03	51.7	7.19	52.7	7.64
	14	31.3	4.39	36.1	4.90	43.7	5.80	45.1	6.53	48.6	7.16	50.9	7.25	52.1	7.70
	16	31.3	4.46	36.1	5.00	43.7	5.92	45.1	6.66	48.6	7.31	50.4	7.34	51.4	7.78
	18	31.3	4.55	36.1	5.11	43.7	6.05	45.1	6.86	48.6	7.67	49.6	7.73	50.8	8.03
	20	31.3	4.64	36.1	5.22	43.7	6.44	45.1	7.39	47.9	8.06	49.0	8.12	50.1	8.42
	21	31.3	4.69	36.1	5.39	43.7	6.69	45.1	7.97	47.6	8.25	48.6	8.31	49.8	8.61
	23	31.3	4.91	36.1	5.81	43.7	7.22	45.1	8.49	46.9	8.63	48.0	8.71	49.0	9.01
	25	31.3	5.24	36.1	6.24	43.7	7.75	45.1	9.06	46.3	9.01	47.3	9.10	48.5	9.40
	27	31.3	5.58	36.1	6.70	43.7	8.34	44.6	9.50	45.6	9.40	46.7	9.49	47.7	9.80
	29	31.3	5.95	36.1	7.18	43.7	8.95	43.7	10.05	45.0	9.80	46.0	9.89	47.2	10.21
	31	31.3	6.34	36.1	7.69	43.7	9.59	42.9	10.60	44.2	10.19	45.4	10.28	46.4	10.61
	33	31.3	6.75	36.1	8.22	43.7	10.14	42.7	11.01	43.7	10.58	44.7	10.69	45.8	11.01
	35	31.3	7.18	36.1	8.79	41.3	10.53	41.5	11.15	42.9	10.98	43.9	11.09	45.1	11.42
	37	31.3	7.86	36.1	9.39	40.3	10.93	41.1	11.20	42.2	11.37	43.4	11.49	44.4	11.82
	39	31.3	8.53	36.1	10.03	39.6	11.32	40.3	11.60	41.5	11.77	42.6	11.89	43.8	12.24
	41	31.3	9.20	36.1	10.11	38.9	11.40	39.9	11.69	40.8	11.86	41.3	12.03	42.5	12.32
43	31.3	9.87	36.1	10.25	38.2	11.49	39.5	11.77	40.1	11.94	40.9	12.35	41.9	12.57	
45	31.3	10.43	36.1	10.61	37.4	11.72	38.8	12.01	39.4	12.18	39.9	12.62	40.9	12.99	
48	31.3	11.97	36.1	12.30	36.7	12.64	38.2	12.97	38.7	13.30	39.4	13.64	40.0	13.97	
50	31.3	13.51	35.3	13.84	36.0	14.17	37.7	14.51	38.0	14.84	38.5	15.18	39.2	15.51	
52	31.3	15.04	34.5	15.38	35.3	15.71	37.1	16.05	37.4	16.38	37.8	16.72	38.3	17.05	
54	31.3	16.58	33.7	16.92	34.5	17.25	36.5	17.59	36.7	17.92	37.0	18.25	37.4	18.59	
100%	-5	28.1	3.92	32.9	4.27	39.4	4.71	40.0	5.53	43.4	5.40	49.9	5.98	51.4	6.59
	-2	28.1	3.97	32.9	4.33	39.4	4.80	40.0	5.57	43.4	5.48	49.9	6.06	51.4	6.64
	0	28.1	4.02	32.9	4.38	39.4	4.88	40.0	5.66	43.4	5.53	49.9	6.16	51.4	6.71
	2	28.1	4.08	32.9	4.43	39.4	5.00	40.0	5.71	43.4	5.60	49.9	6.26	51.4	6.82
	4	28.1	4.12	32.9	4.51	39.4	5.06	40.0	5.79	43.4	5.67	49.9	6.33	51.4	6.90
	6	28.1	4.20	32.9	4.58	39.4	5.15	40.0	5.92	43.4	5.76	49.9	6.43	51.4	7.01
	8	28.1	4.27	32.9	4.67	39.4	5.24	40.0	6.02	43.4	5.86	49.9	6.54	51.4	7.13
	10	28.1	4.36	32.9	4.76	39.4	5.33	40.0	6.11	43.4	5.97	49.9	6.65	51.4	7.23
	12	28.1	4.44	32.9	4.86	39.4	5.53	40.0	6.24	43.4	6.09	49.9	6.79	50.7	7.29
	14	28.1	4.53	32.9	4.97	39.4	5.79	40.0	6.63	43.4	6.21	49.9	6.93	50.1	7.38
	16	28.1	4.62	32.9	5.08	39.4	5.93	40.0	6.80	43.4	6.34	48.4	7.02	49.4	7.47
	18	28.1	4.71	32.9	5.19	39.4	6.15	40.0	7.07	43.4	6.47	47.8	7.27	48.8	7.66
	20	28.1	4.81	32.9	5.36	39.4	6.67	40.0	7.55	43.4	6.96	47.1	7.64	48.1	8.04
	21	28.1	4.86	32.9	5.59	39.4	7.14	40.0	8.01	43.4	7.21	46.8	7.83	47.8	8.24
	23	28.1	5.20	32.9	6.03	39.4	7.68	40.0	8.56	43.4	7.76	46.2	8.22	47.1	8.62
	25	28.1	5.57	32.9	6.50	39.4	8.29	40.0	8.99	43.4	8.33	45.5	8.60	46.5	9.00
	27	28.1	5.95	32.9	6.99	39.4	8.78	40.0	9.53	43.4	8.94	44.8	8.99	45.8	9.40
	29	28.1	6.36	32.9	7.50	39.4	9.44	40.0	9.81	43.2	9.51	44.2	9.71	45.2	9.79
	31	28.1	6.81	32.9	8.05	39.4	10.09	40.0	9.99	42.7	9.90	43.5	10.06	44.5	10.18
	33	28.1	7.26	32.9	8.63	39.4	10.57	40.0	10.28	41.9	10.28	42.9	10.43	43.9	10.58
	35	28.1	7.74	32.9	9.25	39.4	10.79	40.0	10.95	41.2	10.97	42.2	11.08	43.2	11.19
	37	28.1	8.25	32.9	9.89	39.4	10.86	39.5	11.45	40.8	11.61	41.7	11.76	42.5	11.91
	39	28.1	8.78	32.9	10.57	39.4	11.06	39.0	11.89	40.3	12.09	40.9	12.34	41.9	12.44
	41	28.1	9.11	32.9	10.98	39.4	11.22	38.5	12.32	39.7	12.57	39.4	12.69	41.3	12.83
43	28.1	9.44	32.9	11.20	39.4	11.60	38.3	12.90	39.1	13.11	39.7	13.33	39.8	13.44	
45	28.1	9.88	32.9	11.51	39.4	12.33	38.1	13.72	38.6	14.48	39.3	15.21	39.2	15.50	
48	28.1	11.39	32.9	12.27	39.4	13.14	37.7	14.78	38.0	15.66	38.4	16.54	38.6	17.41	
50	28.1	12.90	32.9	13.78	39.4	14.65	37.3	15.53	37.5	16.40	37.9	17.28	38.0	18.16	
52	28.1	14.41	32.9	15.29	39.4	16.16	37.0	17.04	36.9	17.92	37.3	18.79	37.4	19.67	
54	28.1	15.92	32.9	16.80	39.4	17.67	36.6	18.55	36.4	19.43	36.7	20.30	36.9	21.18	

Abbreviations:

CR: Combination ratio

TC: Total capacity (kW)

PI: Power input (compressor + outdoor fan motor) (kW)

Notes:

1. Shaded cells indicate rating condition.

Table continued on next page ...

Table 2-8.4: 14HP cooling capacity (continued)

CR	Outdoor air temp. (°CDB)	Indoor air temp. (°C DB/WD)													
		20.8/14		23.3/16		25.8/18		27/19		28.2/20		30.7/22		32/24	
		TC	PI	TC	PI	TC	PI	TC	PI	TC	PI	TC	PI	TC	PI
		kW	kW	kW	kW	kW	kW	kW	kW	kW	kW	kW	kW	kW	kW
90%	-5	24.4	3.14	29.1	3.42	33.8	3.77	36.1	4.42	39.1	4.32	44.6	4.78	47.9	5.27
	-2	24.4	3.18	29.1	3.46	33.8	3.84	36.1	4.46	39.1	4.38	44.6	4.84	47.9	5.31
	0	24.4	3.21	29.1	3.50	33.8	3.91	36.1	4.52	39.1	4.42	44.6	4.93	47.9	5.37
	2	24.4	3.26	29.1	3.55	33.8	4.00	36.1	4.57	39.1	4.48	44.6	5.01	47.9	5.46
	4	24.4	3.29	29.1	3.61	33.8	4.05	36.1	4.63	39.1	4.54	44.6	5.06	47.9	5.52
	6	24.4	3.36	29.1	3.66	33.8	4.12	36.1	4.73	39.1	4.61	44.6	5.14	47.9	5.61
	8	24.4	3.42	29.1	3.74	33.8	4.19	36.1	4.82	39.1	4.69	44.6	5.23	47.9	5.70
	10	24.4	3.48	29.1	3.81	33.8	4.26	36.1	4.89	39.1	4.78	44.6	5.32	47.9	5.79
	12	24.4	3.56	29.1	3.89	33.8	4.42	36.1	4.99	39.1	4.87	44.6	5.43	47.9	5.83
	14	24.4	3.63	29.1	3.97	33.8	4.63	36.1	5.31	39.1	4.97	44.6	5.55	47.9	5.91
	16	24.4	3.70	29.1	4.07	33.8	4.74	36.1	5.44	39.1	5.07	44.6	5.62	47.9	5.98
	18	24.4	3.77	29.1	4.15	33.8	4.92	36.1	5.65	39.1	5.18	44.6	5.82	47.9	6.13
	20	24.4	3.85	29.1	4.29	33.8	5.33	36.1	6.04	39.1	5.57	44.6	6.11	47.9	6.44
	21	24.4	3.89	29.1	4.47	33.8	5.71	36.1	6.41	39.1	5.77	44.6	6.27	47.9	6.59
	23	24.4	4.16	29.1	4.82	33.8	6.15	36.1	6.85	39.1	6.21	44.6	6.57	47.9	6.90
	25	24.4	4.45	29.1	5.20	33.8	6.63	36.1	7.19	39.1	6.67	44.6	6.88	47.9	7.20
	27	24.4	4.76	29.1	5.59	33.8	7.02	36.1	7.62	39.1	7.15	44.6	7.19	47.9	7.52
	29	24.4	5.09	29.1	6.00	33.8	7.55	36.1	7.85	39.1	7.61	44.6	7.77	47.9	7.83
	31	24.4	5.44	29.1	6.44	33.8	8.07	36.1	7.99	39.1	7.92	44.6	8.05	47.9	8.15
	33	24.4	5.81	29.1	6.90	33.8	8.46	36.1	8.22	39.1	8.23	44.6	8.35	47.9	8.47
	35	24.4	6.19	29.1	7.40	33.8	8.63	36.1	8.76	39.1	8.77	44.6	8.86	47.9	8.95
	37	24.4	6.60	29.1	7.92	33.8	8.69	36.1	9.15	39.1	9.29	44.6	9.41	47.9	9.53
	39	24.4	7.03	29.1	8.46	33.8	8.85	36.1	9.30	39.1	9.68	44.6	9.87	47.9	9.95
	41	24.4	7.29	29.1	8.79	33.8	8.98	36.1	9.47	39.1	10.06	44.6	10.15	47.9	10.26
43	24.4	7.55	29.1	8.96	33.8	9.28	36.1	9.65	39.1	10.49	44.6	10.67	47.9	10.75	
45	24.4	7.90	29.1	9.21	33.8	9.86	36.1	9.82	39.1	10.71	44.6	11.12	47.9	11.35	
48	24.4	9.11	29.1	9.55	33.8	9.99	36.1	10.43	39.1	10.86	44.6	11.30	47.9	11.74	
50	24.4	10.32	29.1	10.76	33.8	11.20	36.1	11.63	39.1	12.07	44.6	12.51	47.9	12.95	
52	24.4	11.53	29.1	11.97	33.8	12.41	36.1	12.84	39.1	13.28	44.6	13.72	47.9	14.16	
54	24.4	12.74	29.1	13.18	33.8	13.61	36.1	14.05	39.1	14.49	44.6	14.93	47.9	15.37	
80%	-5	21.7	2.40	25.9	2.48	30.0	2.88	32.2	2.69	35.0	3.58	39.8	4.12	42.7	4.71
	-2	21.7	2.43	25.9	2.51	30.0	2.92	32.2	2.70	35.0	3.62	39.8	4.16	42.7	4.76
	0	21.7	2.46	25.9	2.54	30.0	2.97	32.2	2.76	35.0	3.67	39.8	4.20	42.7	4.80
	2	21.7	2.50	25.9	2.57	30.0	3.00	32.2	2.87	35.0	3.73	39.8	4.29	42.7	4.87
	4	21.7	2.52	25.9	2.61	30.0	3.06	32.2	2.88	35.0	3.77	39.8	4.36	42.7	4.94
	6	21.7	2.57	25.9	2.67	30.0	3.12	32.2	2.96	35.0	3.84	39.8	4.43	42.7	5.02
	8	21.7	2.61	25.9	2.72	30.0	3.18	32.2	3.08	35.0	3.91	39.8	4.51	42.7	5.07
	10	21.7	2.67	25.9	2.78	30.0	3.25	32.2	3.11	35.0	4.00	39.8	4.57	42.7	5.15
	12	21.7	2.72	25.9	2.84	30.0	3.31	32.2	3.19	35.0	4.07	39.8	4.65	42.7	5.24
	14	21.7	2.78	25.9	2.89	30.0	3.37	32.2	3.25	35.0	4.14	39.8	4.74	42.7	5.34
	16	21.7	2.83	25.9	2.94	30.0	3.45	32.2	3.33	35.0	4.23	39.8	4.83	42.7	5.43
	18	21.7	2.88	25.9	3.01	30.0	3.51	32.2	3.45	35.0	4.31	39.8	4.93	42.7	5.60
	20	21.7	2.95	25.9	3.08	30.0	3.58	32.2	3.75	35.0	4.47	39.8	5.30	42.7	5.87
	21	21.7	2.97	25.9	3.10	30.0	3.65	32.2	4.03	35.0	4.63	39.8	5.49	42.7	6.01
	23	21.7	3.18	25.9	3.23	30.0	3.92	32.2	4.37	35.0	4.97	39.8	5.89	42.7	6.28
	25	21.7	3.41	25.9	3.46	30.0	4.21	32.2	4.70	35.0	5.31	39.8	6.30	42.7	6.56
	27	21.7	3.64	25.9	3.69	30.0	4.50	32.2	5.15	35.0	5.68	39.8	6.75	42.7	6.83
	29	21.7	3.90	25.9	3.95	30.0	4.82	32.2	5.37	35.0	6.07	39.8	7.05	42.7	7.11
	31	21.7	4.17	25.9	4.21	30.0	5.15	32.2	5.74	35.0	6.47	39.8	7.33	42.7	7.39
	33	21.7	4.45	25.9	4.49	30.0	5.51	32.2	6.12	35.0	6.90	39.8	7.61	42.7	7.67
	35	21.7	4.74	25.9	4.78	30.0	5.88	32.2	6.70	35.0	7.36	39.8	7.89	42.7	7.95
	37	21.7	5.05	25.9	5.09	30.0	6.27	32.2	7.01	35.0	7.85	39.8	8.16	42.7	8.23
	39	21.7	5.38	25.9	5.43	30.0	6.68	32.2	7.28	35.0	8.37	39.8	8.45	42.7	8.51
	41	21.7	5.58	25.9	5.68	30.0	6.93	32.2	7.54	35.0	8.40	39.8	8.66	42.7	8.71
43	21.7	5.78	25.9	5.93	30.0	7.18	32.2	7.90	35.0	8.58	39.8	8.78	42.7	8.85	
45	21.7	6.05	25.9	6.23	30.0	7.49	32.2	8.40	35.0	8.82	39.8	8.87	42.7	8.97	
48	21.7	6.97	25.9	7.51	30.0	8.04	32.2	8.58	35.0	9.12	39.8	9.65	42.7	10.19	
50	21.7	7.90	25.9	8.43	30.0	8.97	32.2	9.51	35.0	10.04	39.8	10.58	42.7	11.12	
52	21.7	8.82	25.9	9.36	30.0	9.90	32.2	10.43	35.0	10.97	39.8	11.50	42.7	12.04	
54	21.7	9.75	25.9	10.28	30.0	10.82	32.2	11.36	35.0	11.89	39.8	12.43	42.7	12.97	

**Abbreviations:**

CR: Combination ratio

TC: Total capacity (kW)

PI: Power input (compressor + outdoor fan motor) (kW)

**Notes:**

1. Shaded cells indicate rating condition.

Table continued on next page ...



Table 2-8.4: 14HP cooling capacity (continued)

CR	Outdoor air temp. (°CDB)	Indoor air temp. (°C DB/WD)													
		20.8/14		23.3/16		25.8/18		27/19		28.2/20		30.7/22		32/24	
		TC	PI	TC	PI	TC	PI	TC	PI	TC	PI	TC	PI	TC	PI
		kW	kW	kW	kW	kW	kW	kW	kW	kW	kW	kW	kW	kW	kW
70%	-5	19.0	1.95	22.8	2.01	26.4	2.34	28.2	2.70	30.7	2.90	34.8	3.34	37.5	3.82
	-2	19.0	1.97	22.8	2.03	26.4	2.37	28.2	2.71	30.7	2.94	34.8	3.37	37.5	3.86
	0	19.0	1.99	22.8	2.06	26.4	2.41	28.2	2.72	30.7	2.98	34.8	3.41	37.5	3.89
	2	19.0	2.02	22.8	2.09	26.4	2.44	28.2	2.80	30.7	3.02	34.8	3.48	37.5	3.95
	4	19.0	2.04	22.8	2.12	26.4	2.48	28.2	2.84	30.7	3.06	34.8	3.53	37.5	4.00
	6	19.0	2.09	22.8	2.16	26.4	2.53	28.2	2.90	30.7	3.11	34.8	3.59	37.5	4.07
	8	19.0	2.12	22.8	2.21	26.4	2.58	28.2	2.95	30.7	3.17	34.8	3.65	37.5	4.11
	10	19.0	2.16	22.8	2.26	26.4	2.63	28.2	3.00	30.7	3.24	34.8	3.70	37.5	4.18
	12	19.0	2.21	22.8	2.30	26.4	2.68	28.2	3.05	30.7	3.30	34.8	3.77	37.5	4.25
	14	19.0	2.25	22.8	2.34	26.4	2.73	28.2	3.15	30.7	3.36	34.8	3.84	37.5	4.33
	16	19.0	2.29	22.8	2.39	26.4	2.79	28.2	3.16	30.7	3.43	34.8	3.92	37.5	4.41
	18	19.0	2.34	22.8	2.44	26.4	2.85	28.2	3.17	30.7	3.50	34.8	4.00	37.5	4.54
	20	19.0	2.39	22.8	2.50	26.4	2.91	28.2	3.38	30.7	3.63	34.8	4.30	37.5	4.76
	21	19.0	2.41	22.8	2.51	26.4	2.96	28.2	3.62	30.7	3.76	34.8	4.45	37.5	4.87
	23	19.0	2.58	22.8	2.62	26.4	3.18	28.2	3.82	30.7	4.03	34.8	4.78	37.5	5.09
	25	19.0	2.76	22.8	2.81	26.4	3.41	28.2	4.10	30.7	4.30	34.8	5.11	37.5	5.32
	27	19.0	2.95	22.8	3.00	26.4	3.65	28.2	4.39	30.7	4.60	34.8	5.47	37.5	5.54
	29	19.0	3.16	22.8	3.20	26.4	3.91	28.2	4.60	30.7	4.92	34.8	5.72	37.5	5.76
	31	19.0	3.38	22.8	3.42	26.4	4.18	28.2	4.90	30.7	5.25	34.8	5.94	37.5	5.99
	33	19.0	3.61	22.8	3.64	26.4	4.47	28.2	5.20	30.7	5.60	34.8	6.17	37.5	6.22
	35	19.0	3.84	22.8	3.88	26.4	4.77	28.2	5.44	30.7	5.97	34.8	6.40	37.5	6.45
37	19.0	4.10	22.8	4.13	26.4	5.08	28.2	5.68	30.7	6.36	34.8	6.62	37.5	6.67	
39	19.0	4.36	22.8	4.40	26.4	5.42	28.2	5.90	30.7	6.78	34.8	6.85	37.5	6.90	
41	19.0	4.52	22.8	4.61	26.4	5.62	28.2	6.12	30.7	6.81	34.8	7.02	37.5	7.06	
43	19.0	4.69	22.8	4.81	26.4	5.83	28.2	6.41	30.7	6.96	34.8	7.12	37.5	7.17	
45	19.0	4.90	22.8	5.05	26.4	6.07	28.2	6.81	30.7	7.15	34.8	7.73	37.5	8.07	
48	19.0	5.65	22.8	6.20	26.4	6.74	28.2	7.28	30.7	7.83	34.8	8.37	37.5	8.91	
50	19.0	6.40	22.8	6.95	26.4	7.49	28.2	8.03	30.7	8.58	34.8	9.12	37.5	9.67	
52	19.0	7.15	22.8	7.70	26.4	8.24	28.2	8.78	30.7	9.33	34.8	9.87	37.5	10.42	
54	19.0	7.90	22.8	8.45	26.4	8.99	28.2	9.53	30.7	10.08	34.8	10.62	37.5	11.17	
60%	-5	16.2	1.57	19.4	1.71	22.5	1.88	24.1	2.41	26.2	2.63	29.8	2.92	32.0	3.35
	-2	16.2	1.59	19.4	1.73	22.5	1.91	24.1	2.45	26.2	2.67	29.8	2.97	32.0	3.37
	0	16.2	1.61	19.4	1.75	22.5	1.94	24.1	2.48	26.2	2.71	29.8	3.01	32.0	3.42
	2	16.2	1.63	19.4	1.77	22.5	1.96	24.1	2.52	26.2	2.75	29.8	3.07	32.0	3.46
	4	16.2	1.65	19.4	1.81	22.5	2.00	24.1	2.55	26.2	2.80	29.8	3.12	32.0	3.51
	6	16.2	1.68	19.4	1.83	22.5	2.04	24.1	2.61	26.2	2.86	29.8	3.18	32.0	3.59
	8	16.2	1.71	19.4	1.87	22.5	2.08	24.1	2.66	26.2	2.92	29.8	3.24	32.0	3.65
	10	16.2	1.74	19.4	1.90	22.5	2.12	24.1	2.74	26.2	2.97	29.8	3.30	32.0	3.64
	12	16.2	1.78	19.4	1.95	22.5	2.16	24.1	2.78	26.2	3.03	29.8	3.37	32.0	3.70
	14	16.2	1.81	19.4	1.99	22.5	2.20	24.1	2.83	26.2	3.07	29.8	3.43	32.0	3.76
	16	16.2	1.85	19.4	2.03	22.5	2.25	24.1	2.88	26.2	3.14	29.8	3.49	32.0	3.84
	18	16.2	1.88	19.4	2.08	22.5	2.29	24.1	2.93	26.2	3.20	29.8	3.55	32.0	3.91
	20	16.2	1.93	19.4	2.15	22.5	2.34	24.1	2.99	26.2	3.22	29.8	3.62	32.0	3.98
	21	16.2	1.94	19.4	2.24	22.5	2.38	24.1	3.21	26.2	3.28	29.8	3.66	32.0	4.07
	23	16.2	2.08	19.4	2.41	22.5	2.56	24.1	3.42	26.2	3.49	29.8	3.80	32.0	4.10
	25	16.2	2.23	19.4	2.60	22.5	2.75	24.1	3.61	26.2	3.72	29.8	4.06	32.0	4.37
	27	16.2	2.38	19.4	2.80	22.5	2.94	24.1	3.79	26.2	3.96	29.8	4.32	32.0	4.66
	29	16.2	2.55	19.4	3.00	22.5	3.15	24.1	3.95	26.2	4.21	29.8	4.61	32.0	4.98
	31	16.2	2.72	19.4	3.22	22.5	3.37	24.1	4.17	26.2	4.48	29.8	4.90	32.0	5.31
	33	16.2	2.91	19.4	3.45	22.5	3.60	24.1	4.35	26.2	4.76	29.8	5.22	32.0	5.65
	35	16.2	3.10	19.4	3.70	22.5	3.84	24.1	4.38	26.2	5.05	29.8	5.56	32.0	6.03
37	16.2	3.30	19.4	3.96	22.5	4.10	24.1	4.58	26.2	5.36	29.8	5.91	32.0	6.42	
39	16.2	3.51	19.4	4.23	22.5	4.37	24.1	4.76	26.2	5.56	29.8	6.27	32.0	6.83	
41	16.2	3.65	19.4	4.40	22.5	4.53	24.1	4.93	26.2	5.75	29.8	6.57	32.0	7.26	
43	16.2	3.78	19.4	4.48	22.5	4.70	24.1	5.16	26.2	6.04	29.8	6.84	32.0	7.59	
45	16.2	4.08	19.4	5.05	22.5	5.33	24.1	5.62	26.2	6.53	29.8	7.15	32.0	7.92	
48	16.2	4.69	19.4	5.26	22.5	5.83	24.1	6.40	26.2	6.97	29.8	7.54	32.0	8.11	
50	16.2	5.29	19.4	5.86	22.5	6.43	24.1	7.00	26.2	7.57	29.8	8.14	32.0	8.71	
52	16.2	5.90	19.4	6.47	22.5	7.04	24.1	7.61	26.2	8.18	29.8	8.75	32.0	9.32	
54	16.2	6.50	19.4	7.07	22.5	7.64	24.1	8.21	26.2	8.78	29.8	9.35	32.0	9.92	

Abbreviations:

CR: Combination ratio

TC: Total capacity (kW)

PI: Power input (compressor + outdoor fan motor) (kW)

Notes:

1. Shaded cells indicate rating condition.

Table continued on next page ...

Table 2-8.4: 14HP cooling capacity (continued)

CR	Outdoor air temp. (°CDB)	Indoor air temp. (°C DB/WD)													
		20.8/14		23.3/16		25.8/18		27/19		28.2/20		30.7/22		32/24	
		TC	PI	TC	PI	TC	PI	TC	PI	TC	PI	TC	PI	TC	PI
		kW	kW	kW	kW	kW	kW	kW	kW	kW	kW	kW	kW	kW	kW
50%	-5	13.6	1.30	16.3	1.42	18.9	1.56	20.2	2.14	21.9	2.22	24.9	2.53	26.8	2.72
	-2	13.6	1.32	16.3	1.43	18.9	1.58	20.2	2.19	21.9	2.26	24.9	2.56	26.8	2.76
	0	13.6	1.33	16.3	1.45	18.9	1.61	20.2	2.20	21.9	2.29	24.9	2.60	26.8	2.81
	2	13.6	1.35	16.3	1.47	18.9	1.63	20.2	2.21	21.9	2.33	24.9	2.61	26.8	2.86
	4	13.6	1.36	16.3	1.50	18.9	1.65	20.2	2.22	21.9	2.37	24.9	2.68	26.8	2.93
	6	13.6	1.39	16.3	1.52	18.9	1.69	20.2	2.23	21.9	2.42	24.9	2.72	26.8	3.02
	8	13.6	1.42	16.3	1.55	18.9	1.72	20.2	2.24	21.9	2.45	24.9	2.76	26.8	3.12
	10	13.6	1.44	16.3	1.58	18.9	1.76	20.2	2.22	21.9	2.52	24.9	2.84	26.8	3.16
	12	13.6	1.47	16.3	1.61	18.9	1.79	20.2	2.23	21.9	2.57	24.9	2.89	26.8	3.21
	14	13.6	1.50	16.3	1.65	18.9	1.83	20.2	2.25	21.9	2.61	24.9	2.94	26.8	3.28
	16	13.6	1.53	16.3	1.68	18.9	1.87	20.2	2.25	21.9	2.65	24.9	2.99	26.8	3.33
	18	13.6	1.56	16.3	1.72	18.9	1.90	20.2	2.26	21.9	2.70	24.9	3.04	26.8	3.39
	20	13.6	1.60	16.3	1.78	18.9	1.94	20.2	2.37	21.9	2.75	24.9	3.09	26.8	3.45
	21	13.6	1.61	16.3	1.85	18.9	1.97	20.2	2.49	21.9	2.77	24.9	3.12	26.8	3.49
	23	13.6	1.72	16.3	2.00	18.9	2.12	20.2	2.65	21.9	2.82	24.9	3.18	26.8	3.57
	25	13.6	1.84	16.3	2.15	18.9	2.28	20.2	2.82	21.9	2.91	24.9	3.34	26.8	3.81
	27	13.6	1.97	16.3	2.32	18.9	2.44	20.2	3.05	21.9	3.09	24.9	3.55	26.8	4.06
	29	13.6	2.11	16.3	2.49	18.9	2.61	20.2	3.14	21.9	3.29	24.9	3.78	26.8	4.32
	31	13.6	2.26	16.3	2.67	18.9	2.79	20.2	3.34	21.9	3.49	24.9	4.02	26.8	4.60
	33	13.6	2.41	16.3	2.86	18.9	2.98	20.2	3.53	21.9	3.70	24.9	4.27	26.8	4.89
35	13.6	2.56	16.3	3.06	18.9	3.18	20.2	3.63	21.9	3.92	24.9	4.54	26.8	5.19	
37	13.6	2.73	16.3	3.28	18.9	3.39	20.2	3.79	21.9	4.16	24.9	4.81	26.8	5.52	
39	13.6	2.91	16.3	3.50	18.9	3.62	20.2	3.94	21.9	4.41	24.9	5.10	26.8	5.86	
41	13.6	3.02	16.3	3.64	18.9	3.75	20.2	4.08	21.9	4.60	24.9	5.38	26.8	6.13	
43	13.6	3.13	16.3	3.71	18.9	3.89	20.2	4.35	21.9	4.72	24.9	5.65	26.8	6.40	
45	13.6	3.27	16.3	4.18	18.9	4.45	20.2	4.80	21.9	5.27	24.9	6.19	26.8	6.68	
48	13.6	3.85	16.3	4.39	18.9	4.94	20.2	5.48	21.9	6.02	24.9	6.57	26.8	7.11	
50	13.6	4.42	16.3	4.96	18.9	5.51	20.2	6.05	21.9	6.60	24.9	7.14	26.8	7.69	
52	13.6	4.99	16.3	5.54	18.9	6.08	20.2	6.63	21.9	7.17	24.9	7.72	26.8	8.26	
54	13.6	5.57	16.3	6.11	18.9	6.66	20.2	7.20	21.9	7.74	24.9	8.29	26.8	8.83	

Abbreviations:

CR: Combination ratio

TC: Total capacity (kW)

PI: Power input (compressor + outdoor fan motor) (kW)

Notes:

1. Shaded cells indicate rating condition.

Table 2-8.5: 16HP cooling capacity

CR	Outdoor air temp. (°CDB)	Indoor air temp. (°C DB/WD)													
		20.8/14		23.3/16		25.8/18		27/19		28.2/20		30.7/22		32/24	
		TC	PI	TC	PI	TC	PI	TC	PI	TC	PI	TC	PI	TC	PI
		kW	kW	kW	kW	kW	kW	kW	kW	kW	kW	kW	kW	kW	kW
130%	-5	40.8	5.32	49.6	5.96	55.9	6.43	57.5	6.97	61.5	7.45	63.2	8.10	63.7	8.15
	-2	40.8	5.32	49.6	6.09	55.9	6.43	58.0	7.02	61.5	7.45	63.2	8.20	63.7	8.23
	0	40.8	5.41	49.6	6.20	55.9	6.68	58.0	7.42	61.5	7.88	63.2	8.30	63.7	8.34
	2	40.8	5.51	49.6	6.21	55.9	6.93	58.0	7.85	61.5	7.97	63.2	8.36	63.7	8.46
	4	40.8	5.63	49.6	6.35	55.9	7.19	58.0	7.88	61.5	8.07	63.2	8.36	63.7	8.62
	6	40.8	5.74	49.6	6.48	55.9	7.47	58.0	7.95	60.4	8.32	61.4	8.35	63.7	8.69
	8	40.8	5.87	49.6	6.64	55.9	7.87	58.0	8.35	59.8	8.60	60.7	8.40	63.0	8.77
	10	40.8	6.00	49.6	6.80	55.9	8.18	58.0	8.64	59.3	8.66	60.5	8.66	62.2	9.03
	12	40.8	6.10	49.6	6.94	55.9	8.36	57.4	8.74	58.4	8.88	60.0	8.81	61.6	9.08
	14	40.8	6.22	49.6	7.08	55.6	8.40	56.9	8.79	57.7	8.96	59.6	8.96	60.8	9.29
	16	40.8	6.33	49.6	7.24	54.9	8.63	55.9	8.96	57.0	9.15	59.2	9.17	60.2	9.43
	18	40.8	6.45	49.6	7.39	54.1	8.76	55.0	9.08	56.2	9.40	58.7	9.49	59.6	9.57
	20	40.8	6.59	49.6	7.90	53.5	9.22	54.2	9.54	55.5	9.85	58.3	9.94	59.1	10.05
	21	40.8	6.77	49.6	8.20	53.3	9.45	54.3	9.76	54.8	10.08	57.9	10.19	58.5	10.27
	23	40.8	7.26	49.6	8.83	52.3	9.90	53.1	10.22	54.0	10.54	57.5	10.64	57.9	10.75
	25	40.8	7.75	49.6	9.50	51.5	10.36	52.4	10.68	53.3	11.01	57.0	11.12	57.4	11.22
	27	40.8	8.28	49.6	10.20	50.8	10.81	51.6	11.36	52.6	11.47	56.6	11.59	56.8	11.71
	29	40.8	8.84	49.6	10.94	50.0	11.27	50.9	11.97	51.9	11.94	56.2	12.06	56.3	12.19
	31	40.8	9.43	47.9	11.60	49.3	11.74	50.2	12.57	51.1	12.40	55.8	12.54	55.7	12.68
	33	40.8	10.05	47.0	12.06	48.5	12.20	49.4	13.25	50.4	12.87	55.3	13.01	55.1	13.15
	35	40.8	10.71	46.2	12.51	47.8	12.67	48.5	13.27	49.7	13.34	54.9	13.50	54.6	13.64
	37	40.8	11.40	45.6	13.08	47.0	13.15	47.9	13.48	48.9	13.83	54.5	13.99	54.0	14.15
	39	40.8	12.13	44.7	13.59	46.2	13.66	47.2	13.95	48.5	14.31	54.1	14.46	53.4	14.64
	41	40.8	12.77	44.3	14.11	45.7	14.17	46.4	14.43	47.2	14.70	48.7	14.85	52.9	15.04
43	40.8	13.27	44.0	14.63	45.5	15.08	45.7	15.30	46.7	15.46	47.8	15.59	52.3	15.73	
45	40.8	13.78	43.7	15.28	45.0	15.73	44.9	16.03	46.0	16.19	46.5	16.29	51.7	16.64	
48	40.8	15.61	43.4	16.01	44.5	16.41	44.2	16.80	45.4	17.20	45.2	17.60	51.2	18.00	
50	40.8	17.44	42.1	17.84	43.6	18.24	43.4	18.64	44.6	19.03	42.4	19.43	50.6	19.83	
52	40.8	19.27	41.4	19.67	43.0	20.07	42.7	20.47	43.8	20.87	40.4	21.26	50.1	21.66	
54	40.8	21.11	40.8	21.50	42.4	21.90	41.9	22.30	43.1	22.70	38.4	23.10	49.5	23.49	
120%	-5	38.1	5.13	44.2	5.55	51.4	6.43	56.0	7.22	58.6	7.69	59.9	8.36	61.2	8.59
	-2	38.1	5.18	44.2	5.62	51.4	6.50	56.0	7.27	58.6	7.79	59.9	8.43	61.2	8.62
	0	38.1	5.23	44.2	5.66	51.4	6.58	56.0	7.29	58.6	7.87	59.9	8.48	61.2	8.63
	2	38.1	5.24	44.2	5.73	51.4	6.64	56.0	7.37	58.6	7.90	59.9	8.55	61.2	8.65
	4	38.1	5.29	44.2	5.81	51.4	6.74	56.0	7.44	58.6	8.02	59.9	8.56	61.2	8.68
	6	38.1	5.35	44.2	5.86	51.4	6.83	56.0	7.53	58.6	8.11	59.9	8.64	61.2	8.70
	8	38.1	5.40	44.2	5.93	51.4	6.94	56.0	7.64	58.6	8.20	59.9	8.66	61.2	8.75
	10	38.1	5.46	44.2	6.01	51.4	7.01	56.0	7.79	58.6	8.20	59.9	8.69	61.2	8.79
	12	38.1	5.57	44.2	6.14	51.4	7.17	56.0	7.95	57.8	8.24	59.1	8.64	60.4	8.85
	14	38.1	5.67	44.2	6.28	51.4	7.33	56.0	8.12	57.0	8.30	58.4	8.78	59.8	8.95
	16	38.1	5.78	44.2	6.42	51.4	7.48	55.9	8.24	56.3	8.43	57.6	8.93	58.9	9.09
	18	38.1	5.88	44.2	6.56	51.4	7.76	54.7	8.49	55.5	8.66	56.8	9.14	58.3	9.23
	20	38.1	6.01	44.2	6.84	51.4	8.43	54.2	8.95	54.8	9.11	56.2	9.60	57.5	9.68
	21	38.1	6.06	44.2	7.10	51.4	8.76	53.2	9.50	54.4	9.34	55.8	9.82	57.1	9.93
	23	38.1	6.48	44.2	7.66	51.4	9.44	52.1	10.26	53.7	9.80	55.0	10.30	56.3	10.38
	25	38.1	6.92	44.2	8.24	50.6	9.90	51.5	10.70	52.9	10.25	54.4	10.75	55.7	10.86
	27	38.1	7.39	44.2	8.85	50.0	10.34	50.7	11.40	52.2	10.72	53.5	11.22	54.8	11.33
	29	38.1	7.88	44.2	9.50	49.1	10.79	49.8	11.88	51.4	11.18	52.7	11.70	54.2	11.80
	31	38.1	8.41	44.2	10.18	48.4	11.27	49.1	12.47	50.8	11.65	52.1	12.17	53.4	12.29
	33	38.1	8.95	44.2	10.90	47.7	11.72	48.4	12.99	49.9	12.11	51.2	12.64	52.6	12.77
	35	38.1	9.53	44.2	11.67	46.9	12.17	47.5	13.17	49.3	12.58	50.6	13.12	51.9	13.26
	37	38.1	10.14	44.2	12.47	46.2	12.65	46.9	13.25	48.0	13.33	49.8	13.59	51.1	13.75
	39	38.1	10.79	44.1	13.21	45.4	13.11	46.1	13.32	47.2	13.53	49.1	14.08	50.4	14.22
	41	38.1	11.38	43.7	13.31	45.0	13.57	45.7	13.95	46.3	14.00	47.8	14.55	49.0	14.70
43	38.1	11.88	43.5	13.41	44.7	13.95	45.3	14.26	46.0	14.47	47.0	15.02	48.3	15.19	
45	38.1	12.38	43.2	13.54	44.2	14.22	44.8	14.76	45.6	14.94	46.0	15.50	47.9	15.67	
48	38.1	14.20	43.0	14.59	43.9	14.99	44.5	15.38	45.2	15.78	45.2	16.18	47.3	16.57	
50	38.1	16.02	42.7	16.41	43.3	16.81	43.9	17.20	44.5	17.60	44.2	17.99	46.3	18.39	
52	38.1	17.83	42.5	18.23	42.9	18.62	43.4	19.02	43.9	19.41	43.2	19.81	45.5	20.20	
54	38.1	19.65	42.2	20.05	42.5	20.44	43.0	20.84	43.4	21.23	42.3	21.63	44.7	22.02	

Abbreviations:

CR: Combination ratio

TC: Total capacity (kW)

PI: Power input (compressor + outdoor fan motor) (kW)

Notes:

1. Shaded cells indicate rating condition.

Table continued on next page ...

Table 2-8.5: 16HP cooling capacity (continued)

CR	Outdoor air temp. (°CDB)	Indoor air temp. (°C DB/WD)													
		20.8/14		23.3/16		25.8/18		27/19		28.2/20		30.7/22		32/24	
		TC	PI	TC	PI	TC	PI	TC	PI	TC	PI	TC	PI	TC	PI
		kW	kW	kW	kW	kW	kW	kW	kW	kW	kW	kW	kW	kW	kW
110%	-5	35.2	4.48	40.6	5.06	49.2	6.01	50.8	6.76	54.7	7.43	58.8	7.73	60.1	8.23
	-2	35.2	4.57	40.6	5.13	49.2	6.06	50.8	6.83	54.7	7.49	58.8	7.81	60.1	8.28
	0	35.2	4.61	40.6	5.16	49.2	6.11	50.8	6.87	54.7	7.58	58.8	7.88	60.1	8.38
	2	35.2	4.72	40.6	5.22	49.2	6.22	50.8	6.95	54.7	7.66	58.8	8.00	60.1	8.48
	4	35.2	4.81	40.6	5.28	49.2	6.28	50.8	7.04	54.7	7.78	58.8	8.12	60.1	8.56
	6	35.2	4.86	40.6	5.35	49.2	6.35	50.8	7.16	54.7	7.87	58.8	8.20	60.1	8.69
	8	35.2	4.90	40.6	5.44	49.2	6.43	50.8	7.24	54.7	7.96	58.8	8.26	60.1	8.78
	10	35.2	4.96	40.6	5.52	49.2	6.53	50.8	7.37	54.7	8.10	58.8	8.32	60.1	8.86
	12	35.2	5.07	40.6	5.65	49.2	6.67	50.8	7.53	54.7	8.26	58.1	8.45	59.3	8.98
	14	35.2	5.15	40.6	5.75	49.2	6.81	50.8	7.67	54.7	8.41	57.3	8.52	58.6	9.04
	16	35.2	5.24	40.6	5.87	49.2	6.95	50.8	7.83	54.7	8.59	56.7	8.62	57.8	9.14
	18	35.2	5.35	40.6	6.00	49.2	7.11	50.8	8.05	54.7	9.01	55.8	9.08	57.1	9.43
	20	35.2	5.45	40.6	6.14	49.2	7.56	50.8	8.68	53.9	9.47	55.2	9.53	56.3	9.88
	21	35.2	5.50	40.6	6.33	49.2	7.86	50.8	9.37	53.5	9.69	54.7	9.76	56.0	10.11
	23	35.2	5.77	40.6	6.82	49.2	8.48	50.8	9.97	52.7	10.13	54.0	10.23	55.2	10.59
	25	35.2	6.15	40.6	7.33	49.2	9.11	50.8	10.64	52.1	10.59	53.2	10.69	54.5	11.04
	27	35.2	6.55	40.6	7.87	49.2	9.79	50.1	11.15	51.2	11.04	52.6	11.15	53.7	11.51
	29	35.2	6.99	40.6	8.43	49.2	10.51	49.2	11.80	50.6	11.52	51.7	11.62	53.0	11.99
	31	35.2	7.45	40.6	9.03	49.2	11.26	48.3	12.45	49.8	11.97	51.1	12.08	52.2	12.46
	33	35.2	7.92	40.6	9.66	49.2	11.91	48.0	12.93	49.1	12.43	50.3	12.55	51.6	12.93
	35	35.2	8.43	40.6	10.32	46.5	12.37	46.7	13.09	48.3	12.90	49.4	13.02	50.8	13.41
	37	35.2	9.23	40.6	11.03	45.4	12.84	46.2	13.15	47.5	13.36	48.8	13.50	49.9	13.88
	39	35.2	10.02	40.6	11.78	44.6	13.30	45.3	13.63	46.7	13.83	48.0	13.97	49.3	14.37
	41	35.2	10.80	40.6	11.88	43.8	13.39	44.9	13.73	45.9	13.93	46.4	14.13	47.8	14.47
43	35.2	11.59	40.6	12.04	42.9	13.49	44.4	13.82	45.1	14.02	46.1	14.50	47.1	14.76	
45	35.2	12.25	40.6	12.46	42.1	13.77	43.6	14.11	44.3	14.31	44.8	14.82	46.0	15.25	
48	35.2	14.05	40.6	14.45	41.3	14.84	43.0	15.23	43.6	15.63	44.3	16.02	45.1	16.41	
50	35.2	15.86	39.7	16.25	40.5	16.65	42.4	17.04	42.8	17.43	43.3	17.82	44.1	18.22	
52	35.2	17.67	38.8	18.06	39.7	18.45	41.7	18.85	42.0	19.24	42.5	19.63	43.1	20.02	
54	35.2	19.47	37.9	19.87	38.9	20.26	41.1	20.65	41.3	21.05	41.6	21.44	42.1	21.83	
100%	-5	31.6	4.60	37.1	5.02	44.4	5.53	45.0	6.49	48.8	6.34	56.1	7.02	57.8	7.74
	-2	31.6	4.67	37.1	5.08	44.4	5.64	45.0	6.54	48.8	6.43	56.1	7.11	57.8	7.79
	0	31.6	4.72	37.1	5.14	44.4	5.74	45.0	6.64	48.8	6.49	56.1	7.24	57.8	7.88
	2	31.6	4.79	37.1	5.21	44.4	5.87	45.0	6.70	48.8	6.57	56.1	7.36	57.8	8.01
	4	31.6	4.84	37.1	5.30	44.4	5.94	45.0	6.80	48.8	6.66	56.1	7.43	57.8	8.10
	6	31.6	4.94	37.1	5.38	44.4	6.04	45.0	6.95	48.8	6.76	56.1	7.55	57.8	8.23
	8	31.6	5.02	37.1	5.49	44.4	6.16	45.0	7.07	48.8	6.88	56.1	7.68	57.8	8.37
	10	31.6	5.12	37.1	5.59	44.4	6.26	45.0	7.18	48.8	7.02	56.1	7.82	57.8	8.50
	12	31.6	5.22	37.1	5.71	44.4	6.49	45.0	7.33	48.8	7.15	56.1	7.97	57.0	8.56
	14	31.6	5.32	37.1	5.83	44.4	6.80	45.0	7.79	48.8	7.29	56.1	8.14	56.3	8.67
	16	31.6	5.43	37.1	5.97	44.4	6.96	45.0	7.99	48.8	7.45	54.4	8.25	55.5	8.77
	18	31.6	5.53	37.1	6.09	44.4	7.22	45.0	8.30	48.8	7.60	53.8	8.54	54.9	9.00
	20	31.6	5.65	37.1	6.30	44.4	7.83	45.0	8.87	48.8	8.18	53.0	8.98	54.1	9.45
	21	31.6	5.70	37.1	6.56	44.4	8.39	45.0	9.41	48.8	8.47	52.7	9.20	53.8	9.67
	23	31.6	6.10	37.1	7.08	44.4	9.02	45.0	10.06	48.8	9.11	52.0	9.65	53.0	10.12
	25	31.6	6.54	37.1	7.63	44.4	9.73	45.0	10.56	48.8	9.79	51.2	10.10	52.3	10.57
	27	31.6	6.99	37.1	8.21	44.4	10.31	45.0	11.19	48.8	10.50	50.4	10.55	51.5	11.04
	29	31.6	7.47	37.1	8.81	44.4	11.08	45.0	11.52	48.6	11.17	49.8	11.41	50.9	11.49
	31	31.6	7.99	37.1	9.45	44.4	11.85	45.0	11.73	48.0	11.63	49.0	11.82	50.1	11.96
	33	31.6	8.53	37.1	10.13	44.4	12.42	45.0	12.07	47.2	12.08	48.3	12.25	49.4	12.43
	35	31.6	9.08	37.1	10.86	44.4	12.67	45.0	12.86	46.4	12.88	47.5	13.01	48.6	13.14
	37	31.6	9.69	37.1	11.62	44.4	12.76	44.4	13.45	45.9	13.64	46.9	13.81	47.8	13.99
	39	31.6	10.32	37.1	12.42	44.4	12.99	43.9	13.97	45.3	14.20	46.1	14.49	47.2	14.61
	41	31.6	10.70	37.1	12.90	44.4	13.18	43.3	14.47	44.7	14.77	44.4	14.91	46.5	15.06
43	31.6	11.09	37.1	13.15	44.4	13.62	43.1	15.16	44.0	15.40	44.6	15.66	44.8	15.78	
45	31.6	11.60	37.1	13.52	44.4	14.48	42.9	16.12	43.4	17.01	44.3	17.86	44.1	18.21	
48	31.6	13.38	37.1	14.40	44.4	15.43	42.4	17.36	42.8	18.39	43.3	19.42	43.4	20.45	
50	31.6	15.15	37.1	16.18	44.4	17.21	42.0	18.24	42.2	19.27	42.6	20.29	42.8	21.32	
52	31.6	16.93	37.1	17.95	44.4	18.98	41.6	20.01	41.5	21.04	41.9	22.07	42.1	23.10	
54	31.6	18.70	37.1	19.73	44.4	20.76	41.2	21.79	40.9	22.81	41.3	23.84	41.5	24.87	

**Abbreviations:**

CR: Combination ratio

TC: Total capacity (kW)

PI: Power input (compressor + outdoor fan motor) (kW)

**Notes:**

1. Shaded cells indicate rating condition.

Table continued on next page ...

Table 2-8.5: 16HP cooling capacity (continued)

CR	Outdoor air temp. (°CDB)	Indoor air temp. (°C DB/WD)													
		20.8/14		23.3/16		25.8/18		27/19		28.2/20		30.7/22		32/24	
		TC kW	PI kW	TC kW	PI kW	TC kW	PI kW	TC kW	PI kW	TC kW	PI kW	TC kW	PI kW	TC kW	PI kW
90%	-5	27.4	3.68	32.7	4.01	38.1	4.42	40.6	5.19	44.0	5.07	50.2	5.62	53.9	6.19
	-2	27.4	3.73	32.7	4.06	38.1	4.51	40.6	5.23	44.0	5.14	50.2	5.69	53.9	6.23
	0	27.4	3.78	32.7	4.12	38.1	4.59	40.6	5.31	44.0	5.20	50.2	5.79	53.9	6.31
	2	27.4	3.83	32.7	4.17	38.1	4.69	40.6	5.36	44.0	5.26	50.2	5.88	53.9	6.41
	4	27.4	3.87	32.7	4.24	38.1	4.75	40.6	5.44	44.0	5.33	50.2	5.95	53.9	6.48
	6	27.4	3.95	32.7	4.30	38.1	4.84	40.6	5.56	44.0	5.41	50.2	6.04	53.9	6.58
	8	27.4	4.01	32.7	4.39	38.1	4.93	40.6	5.66	44.0	5.50	50.2	6.14	53.9	6.70
	10	27.4	4.09	32.7	4.47	38.1	5.00	40.6	5.74	44.0	5.61	50.2	6.25	53.9	6.80
	12	27.4	4.18	32.7	4.57	38.1	5.19	40.6	5.86	44.0	5.72	50.2	6.38	53.9	6.85
	14	27.4	4.26	32.7	4.67	38.1	5.44	40.6	6.23	44.0	5.83	50.2	6.51	53.9	6.94
	16	27.4	4.34	32.7	4.78	38.1	5.57	40.6	6.39	44.0	5.96	50.2	6.60	53.9	7.02
	18	27.4	4.42	32.7	4.87	38.1	5.78	40.6	6.64	44.0	6.08	50.2	6.83	53.9	7.20
	20	27.4	4.52	32.7	5.04	38.1	6.26	40.6	7.09	44.0	6.54	50.2	7.18	53.9	7.56
	21	27.4	4.56	32.7	5.25	38.1	6.71	40.6	7.53	44.0	6.78	50.2	7.36	53.9	7.74
	23	27.4	4.88	32.7	5.66	38.1	7.22	40.6	8.04	44.0	7.29	50.2	7.72	53.9	8.10
	25	27.4	5.23	32.7	6.11	38.1	7.79	40.6	8.45	44.0	7.83	50.2	8.08	53.9	8.46
	27	27.4	5.59	32.7	6.56	38.1	8.25	40.6	8.95	44.0	8.40	50.2	8.44	53.9	8.83
	29	27.4	5.98	32.7	7.05	38.1	8.87	40.6	9.22	44.0	8.94	50.2	9.13	53.9	9.19
	31	27.4	6.39	32.7	7.56	38.1	9.48	40.6	9.39	44.0	9.30	50.2	9.45	53.9	9.57
	33	27.4	6.82	32.7	8.10	38.1	9.93	40.6	9.65	44.0	9.66	50.2	9.80	53.9	9.94
	35	27.4	7.27	32.7	8.69	38.1	10.14	40.6	10.29	44.0	10.30	50.2	10.41	53.9	10.51
	37	27.4	7.75	32.7	9.30	38.1	10.21	40.6	10.75	44.0	10.91	50.2	11.05	53.9	11.19
	39	27.4	8.25	32.7	9.93	38.1	10.39	40.6	10.92	44.0	11.36	50.2	11.59	53.9	11.68
	41	27.4	8.56	32.7	10.32	38.1	10.55	40.6	11.13	44.0	11.81	50.2	11.92	53.9	12.05
	43	27.4	8.87	32.7	10.52	38.1	10.90	40.6	11.34	44.0	12.32	50.2	12.53	53.9	12.62
45	27.4	9.28	32.7	10.82	38.1	11.58	40.6	11.54	44.0	12.58	50.2	13.06	53.9	13.33	
48	27.4	10.70	32.7	11.21	38.1	11.73	40.6	12.24	44.0	12.76	50.2	13.27	53.9	13.79	
50	27.4	12.12	32.7	12.63	38.1	13.15	40.6	13.66	44.0	14.18	50.2	14.69	53.9	15.21	
52	27.4	13.54	32.7	14.05	38.1	14.57	40.6	15.08	44.0	15.60	50.2	16.11	53.9	16.63	
54	27.4	14.96	32.7	15.47	38.1	15.99	40.6	16.50	44.0	17.02	50.2	17.53	53.9	18.05	
80%	-5	24.4	2.82	29.1	2.91	33.8	3.39	36.2	3.16	39.4	4.20	44.8	4.83	48.0	5.54
	-2	24.4	2.86	29.1	2.94	33.8	3.43	36.2	3.17	39.4	4.26	44.8	4.88	48.0	5.59
	0	24.4	2.89	29.1	2.98	33.8	3.49	36.2	3.24	39.4	4.31	44.8	4.94	48.0	5.63
	2	24.4	2.93	29.1	3.02	33.8	3.53	36.2	3.38	39.4	4.38	44.8	5.04	48.0	5.72
	4	24.4	2.96	29.1	3.07	33.8	3.59	36.2	3.39	39.4	4.43	44.8	5.12	48.0	5.80
	6	24.4	3.02	29.1	3.13	33.8	3.66	36.2	3.48	39.4	4.51	44.8	5.20	48.0	5.90
	8	24.4	3.07	29.1	3.20	33.8	3.74	36.2	3.61	39.4	4.59	44.8	5.29	48.0	5.95
	10	24.4	3.13	29.1	3.27	33.8	3.81	36.2	3.65	39.4	4.69	44.8	5.36	48.0	6.05
	12	24.4	3.20	29.1	3.33	33.8	3.89	36.2	3.74	39.4	4.78	44.8	5.46	48.0	6.16
	14	24.4	3.26	29.1	3.39	33.8	3.96	36.2	3.82	39.4	4.87	44.8	5.56	48.0	6.27
	16	24.4	3.32	29.1	3.46	33.8	4.05	36.2	3.91	39.4	4.97	44.8	5.67	48.0	6.38
	18	24.4	3.39	29.1	3.53	33.8	4.12	36.2	4.05	39.4	5.07	44.8	5.79	48.0	6.58
	20	24.4	3.46	29.1	3.62	33.8	4.21	36.2	4.41	39.4	5.25	44.8	6.22	48.0	6.89
	21	24.4	3.49	29.1	3.64	33.8	4.28	36.2	4.74	39.4	5.44	44.8	6.44	48.0	7.05
	23	24.4	3.74	29.1	3.79	33.8	4.61	36.2	5.13	39.4	5.84	44.8	6.92	48.0	7.38
	25	24.4	4.00	29.1	4.06	33.8	4.94	36.2	5.52	39.4	6.23	44.8	7.40	48.0	7.70
	27	24.4	4.28	29.1	4.34	33.8	5.29	36.2	6.05	39.4	6.67	44.8	7.92	48.0	8.02
	29	24.4	4.57	29.1	4.64	33.8	5.66	36.2	6.31	39.4	7.13	44.8	8.28	48.0	8.34
	31	24.4	4.89	29.1	4.95	33.8	6.05	36.2	6.74	39.4	7.60	44.8	8.61	48.0	8.68
	33	24.4	5.22	29.1	5.27	33.8	6.47	36.2	7.18	39.4	8.11	44.8	8.94	48.0	9.00
	35	24.4	5.56	29.1	5.62	33.8	6.90	36.2	7.87	39.4	8.64	44.8	9.26	48.0	9.34
	37	24.4	5.93	29.1	5.98	33.8	7.36	36.2	8.23	39.4	9.21	44.8	9.59	48.0	9.66
	39	24.4	6.31	29.1	6.37	33.8	7.85	36.2	8.55	39.4	9.83	44.8	9.92	48.0	10.00
	41	24.4	6.55	29.1	6.67	33.8	8.14	36.2	8.86	39.4	9.87	44.8	10.17	48.0	10.23
	43	24.4	6.79	29.1	6.97	33.8	8.44	36.2	9.28	39.4	10.08	44.8	10.31	48.0	10.39
45	24.4	7.10	29.1	7.32	33.8	8.79	36.2	9.87	39.4	10.36	44.8	10.41	48.0	10.53	
48	24.4	8.19	29.1	8.82	33.8	9.45	36.2	10.08	39.4	10.71	44.8	11.34	48.0	11.97	
50	24.4	9.28	29.1	9.90	33.8	10.53	36.2	11.16	39.4	11.79	44.8	12.42	48.0	13.05	
52	24.4	10.36	29.1	10.99	33.8	11.62	36.2	12.25	39.4	12.88	44.8	13.51	48.0	14.14	
54	24.4	11.45	29.1	12.08	33.8	12.71	36.2	13.34	39.4	13.97	44.8	14.60	48.0	15.23	

Abbreviations:

CR: Combination ratio

TC: Total capacity (kW)

PI: Power input (compressor + outdoor fan motor) (kW)

Notes:

1. Shaded cells indicate rating condition.

Table continued on next page ...

Table 2-8.5: 16HP cooling capacity (continued)

CR	Outdoor air temp. (°CDB)	Indoor air temp. (°C DB/WD)													
		20.8/14		23.3/16		25.8/18		27/19		28.2/20		30.7/22		32/24	
		TC	PI	TC	PI	TC	PI	TC	PI	TC	PI	TC	PI	TC	PI
		kW	kW	kW	kW	kW	kW	kW	kW	kW	kW	kW	kW	kW	kW
70%	-5	21.4	2.29	25.6	2.36	29.7	2.74	31.8	3.17	34.5	3.41	39.2	3.92	42.1	4.49
	-2	21.4	2.32	25.6	2.39	29.7	2.78	31.8	3.18	34.5	3.45	39.2	3.96	42.1	4.53
	0	21.4	2.34	25.6	2.42	29.7	2.83	31.8	3.20	34.5	3.49	39.2	4.00	42.1	4.57
	2	21.4	2.38	25.6	2.45	29.7	2.86	31.8	3.29	34.5	3.55	39.2	4.09	42.1	4.63
	4	21.4	2.40	25.6	2.49	29.7	2.91	31.8	3.34	34.5	3.59	39.2	4.15	42.1	4.70
	6	21.4	2.45	25.6	2.54	29.7	2.97	31.8	3.40	34.5	3.66	39.2	4.21	42.1	4.78
	8	21.4	2.49	25.6	2.59	29.7	3.03	31.8	3.46	34.5	3.72	39.2	4.29	42.1	4.83
	10	21.4	2.54	25.6	2.65	29.7	3.09	31.8	3.52	34.5	3.81	39.2	4.35	42.1	4.90
	12	21.4	2.59	25.6	2.70	29.7	3.15	31.8	3.59	34.5	3.88	39.2	4.43	42.1	4.99
	14	21.4	2.64	25.6	2.75	29.7	3.21	31.8	3.70	34.5	3.95	39.2	4.51	42.1	5.08
	16	21.4	2.69	25.6	2.80	29.7	3.28	31.8	3.72	34.5	4.03	39.2	4.60	42.1	5.18
	18	21.4	2.75	25.6	2.86	29.7	3.34	31.8	3.73	34.5	4.11	39.2	4.69	42.1	5.34
	20	21.4	2.81	25.6	2.93	29.7	3.41	31.8	3.97	34.5	4.26	39.2	5.04	42.1	5.59
	21	21.4	2.83	25.6	2.95	29.7	3.47	31.8	4.25	34.5	4.41	39.2	5.23	42.1	5.72
	23	21.4	3.03	25.6	3.07	29.7	3.74	31.8	4.48	34.5	4.73	39.2	5.61	42.1	5.98
	25	21.4	3.24	25.6	3.30	29.7	4.01	31.8	4.81	34.5	5.05	39.2	6.00	42.1	6.24
	27	21.4	3.47	25.6	3.52	29.7	4.29	31.8	5.16	34.5	5.41	39.2	6.42	42.1	6.50
	29	21.4	3.71	25.6	3.76	29.7	4.59	31.8	5.40	34.5	5.78	39.2	6.72	42.1	6.77
	31	21.4	3.97	25.6	4.01	29.7	4.90	31.8	5.76	34.5	6.16	39.2	6.98	42.1	7.04
	33	21.4	4.23	25.6	4.27	29.7	5.25	31.8	6.10	34.5	6.58	39.2	7.25	42.1	7.30
	35	21.4	4.51	25.6	4.55	29.7	5.60	31.8	6.38	34.5	7.01	39.2	7.51	42.1	7.57
	37	21.4	4.81	25.6	4.85	29.7	5.97	31.8	6.67	34.5	7.47	39.2	7.77	42.1	7.83
	39	21.4	5.12	25.6	5.17	29.7	6.36	31.8	6.93	34.5	7.97	39.2	8.05	42.1	8.11
	41	21.4	5.31	25.6	5.41	29.7	6.60	31.8	7.18	34.5	8.00	39.2	8.25	42.1	8.30
43	21.4	5.50	25.6	5.65	29.7	6.84	31.8	7.52	34.5	8.17	39.2	8.36	42.1	8.43	
45	21.4	5.76	25.6	5.93	29.7	7.13	31.8	8.00	34.5	8.40	39.2	9.08	42.1	9.47	
48	21.4	6.64	25.6	7.28	29.7	7.92	31.8	8.55	34.5	9.19	39.2	9.83	42.1	10.47	
50	21.4	7.52	25.6	8.16	29.7	8.80	31.8	9.44	34.5	10.07	39.2	10.71	42.1	11.35	
52	21.4	8.40	25.6	9.04	29.7	9.68	31.8	10.32	34.5	10.96	39.2	11.59	42.1	12.23	
54	21.4	9.28	25.6	9.92	29.7	10.56	31.8	11.20	34.5	11.84	39.2	12.47	42.1	13.11	
60%	-5	18.3	1.84	21.8	2.01	25.4	2.21	27.1	2.83	29.5	3.09	33.5	3.43	36.0	3.94
	-2	18.3	1.87	21.8	2.03	25.4	2.24	27.1	2.87	29.5	3.14	33.5	3.48	36.0	3.96
	0	18.3	1.89	21.8	2.06	25.4	2.28	27.1	2.91	29.5	3.18	33.5	3.54	36.0	4.01
	2	18.3	1.92	21.8	2.08	25.4	2.31	27.1	2.96	29.5	3.23	33.5	3.61	36.0	4.07
	4	18.3	1.94	21.8	2.12	25.4	2.35	27.1	3.00	29.5	3.29	33.5	3.66	36.0	4.12
	6	18.3	1.98	21.8	2.15	25.4	2.39	27.1	3.07	29.5	3.36	33.5	3.74	36.0	4.22
	8	18.3	2.01	21.8	2.20	25.4	2.45	27.1	3.12	29.5	3.43	33.5	3.81	36.0	4.29
	10	18.3	2.05	21.8	2.24	25.4	2.49	27.1	3.21	29.5	3.48	33.5	3.88	36.0	4.28
	12	18.3	2.09	21.8	2.29	25.4	2.54	27.1	3.27	29.5	3.55	33.5	3.95	36.0	4.35
	14	18.3	2.13	21.8	2.33	25.4	2.59	27.1	3.33	29.5	3.61	33.5	4.02	36.0	4.42
	16	18.3	2.17	21.8	2.39	25.4	2.65	27.1	3.38	29.5	3.68	33.5	4.09	36.0	4.51
	18	18.3	2.21	21.8	2.44	25.4	2.69	27.1	3.44	29.5	3.75	33.5	4.17	36.0	4.59
	20	18.3	2.26	21.8	2.52	25.4	2.75	27.1	3.51	29.5	3.78	33.5	4.25	36.0	4.68
	21	18.3	2.28	21.8	2.63	25.4	2.80	27.1	3.76	29.5	3.85	33.5	4.29	36.0	4.78
	23	18.3	2.44	21.8	2.83	25.4	3.01	27.1	4.02	29.5	4.09	33.5	4.46	36.0	4.82
	25	18.3	2.62	21.8	3.06	25.4	3.23	27.1	4.24	29.5	4.36	33.5	4.76	36.0	5.13
	27	18.3	2.80	21.8	3.28	25.4	3.46	27.1	4.45	29.5	4.65	33.5	5.08	36.0	5.47
	29	18.3	2.99	21.8	3.53	25.4	3.70	27.1	4.64	29.5	4.95	33.5	5.42	36.0	5.84
	31	18.3	3.20	21.8	3.78	25.4	3.95	27.1	4.90	29.5	5.26	33.5	5.76	36.0	6.24
	33	18.3	3.41	21.8	4.05	25.4	4.23	27.1	5.10	29.5	5.59	33.5	6.13	36.0	6.64
	35	18.3	3.64	21.8	4.35	25.4	4.51	27.1	5.15	29.5	5.93	33.5	6.53	36.0	7.08
	37	18.3	3.88	21.8	4.65	25.4	4.81	27.1	5.38	29.5	6.30	33.5	6.94	36.0	7.54
	39	18.3	4.13	21.8	4.97	25.4	5.13	27.1	5.59	29.5	6.53	33.5	7.36	36.0	8.02
	41	18.3	4.28	21.8	5.16	25.4	5.32	27.1	5.79	29.5	6.76	33.5	7.71	36.0	8.53
43	18.3	4.44	21.8	5.26	25.4	5.52	27.1	6.07	29.5	7.09	33.5	8.04	36.0	8.92	
45	18.3	4.80	21.8	5.93	25.4	6.26	27.1	6.60	29.5	7.67	33.5	8.40	36.0	9.30	
48	18.3	5.51	21.8	6.18	25.4	6.85	27.1	7.51	29.5	8.18	33.5	8.85	36.0	9.52	
50	18.3	6.22	21.8	6.89	25.4	7.56	27.1	8.22	29.5	8.89	33.5	9.56	36.0	10.23	
52	18.3	6.93	21.8	7.60	25.4	8.27	27.1	8.93	29.5	9.60	33.5	10.27	36.0	10.94	
54	18.3	7.64	21.8	8.31	25.4	8.98	27.1	9.65	29.5	10.31	33.5	10.98	36.0	11.65	

**Abbreviations:**

CR: Combination ratio

TC: Total capacity (kW)

PI: Power input (compressor + outdoor fan motor) (kW)

**Notes:**

1. Shaded cells indicate rating condition.

Table continued on next page ...

Table 2-8.5: 16HP cooling capacity (continued)

CR	Outdoor air temp. (°CDB)	Indoor air temp. (°C DB/WD)													
		20.8/14		23.3/16		25.8/18		27/19		28.2/20		30.7/22		32/24	
		TC kW	PI kW	TC kW	PI kW	TC kW	PI kW	TC kW	PI kW	TC kW	PI kW	TC kW	PI kW	TC kW	PI kW
50%	-5	15.3	1.53	18.3	1.66	21.3	1.83	22.7	2.51	24.6	2.61	28.0	2.97	30.2	3.20
	-2	15.3	1.55	18.3	1.68	21.3	1.86	22.7	2.58	24.6	2.66	28.0	3.00	30.2	3.24
	0	15.3	1.56	18.3	1.70	21.3	1.89	22.7	2.59	24.6	2.68	28.0	3.06	30.2	3.29
	2	15.3	1.59	18.3	1.73	21.3	1.91	22.7	2.59	24.6	2.73	28.0	3.07	30.2	3.36
	4	15.3	1.60	18.3	1.76	21.3	1.94	22.7	2.60	24.6	2.79	28.0	3.15	30.2	3.44
	6	15.3	1.64	18.3	1.78	21.3	1.98	22.7	2.62	24.6	2.84	28.0	3.19	30.2	3.55
	8	15.3	1.66	18.3	1.82	21.3	2.02	22.7	2.63	24.6	2.88	28.0	3.24	30.2	3.66
	10	15.3	1.70	18.3	1.85	21.3	2.06	22.7	2.61	24.6	2.96	28.0	3.33	30.2	3.71
	12	15.3	1.73	18.3	1.89	21.3	2.10	22.7	2.62	24.6	3.02	28.0	3.39	30.2	3.77
	14	15.3	1.76	18.3	1.93	21.3	2.14	22.7	2.64	24.6	3.06	28.0	3.45	30.2	3.85
	16	15.3	1.80	18.3	1.98	21.3	2.19	22.7	2.64	24.6	3.11	28.0	3.51	30.2	3.91
	18	15.3	1.83	18.3	2.02	21.3	2.23	22.7	2.66	24.6	3.17	28.0	3.57	30.2	3.98
	20	15.3	1.87	18.3	2.09	21.3	2.28	22.7	2.78	24.6	3.23	28.0	3.63	30.2	4.05
	21	15.3	1.89	18.3	2.17	21.3	2.32	22.7	2.92	24.6	3.26	28.0	3.67	30.2	4.10
	23	15.3	2.02	18.3	2.35	21.3	2.49	22.7	3.12	24.6	3.31	28.0	3.73	30.2	4.19
	25	15.3	2.17	18.3	2.53	21.3	2.68	22.7	3.32	24.6	3.42	28.0	3.92	30.2	4.47
	27	15.3	2.32	18.3	2.72	21.3	2.86	22.7	3.58	24.6	3.63	28.0	4.17	30.2	4.77
	29	15.3	2.48	18.3	2.92	21.3	3.07	22.7	3.69	24.6	3.86	28.0	4.44	30.2	5.08
	31	15.3	2.65	18.3	3.13	21.3	3.27	22.7	3.93	24.6	4.10	28.0	4.72	30.2	5.40
	33	15.3	2.83	18.3	3.36	21.3	3.50	22.7	4.14	24.6	4.35	28.0	5.02	30.2	5.74
	35	15.3	3.01	18.3	3.60	21.3	3.74	22.7	4.26	24.6	4.60	28.0	5.33	30.2	6.10
	37	15.3	3.21	18.3	3.85	21.3	3.99	22.7	4.46	24.6	4.88	28.0	5.65	30.2	6.48
	39	15.3	3.42	18.3	4.12	21.3	4.25	22.7	4.63	24.6	5.18	28.0	5.99	30.2	6.88
	41	15.3	3.55	18.3	4.28	21.3	4.41	22.7	4.79	24.6	5.40	28.0	6.31	30.2	7.20
43	15.3	3.67	18.3	4.36	21.3	4.57	22.7	5.11	24.6	5.54	28.0	6.63	30.2	7.52	
45	15.3	3.84	18.3	4.91	21.3	5.23	22.7	5.64	24.6	6.19	28.0	7.27	30.2	7.84	
48	15.3	4.52	18.3	5.16	21.3	5.80	22.7	6.44	24.6	7.08	28.0	7.71	30.2	8.35	
50	15.3	5.19	18.3	5.83	21.3	6.47	22.7	7.11	24.6	7.75	28.0	8.39	30.2	9.03	
52	15.3	5.86	18.3	6.50	21.3	7.14	22.7	7.78	24.6	8.42	28.0	9.06	30.2	9.70	
54	15.3	6.54	18.3	7.18	21.3	7.82	22.7	8.46	24.6	9.10	28.0	9.73	30.2	10.37	

Abbreviations:

CR: Combination ratio

TC: Total capacity (kW)

PI: Power input (compressor + outdoor fan motor) (kW)

Notes:

1. Shaded cells indicate rating condition.



Table 2-8.6: 18HP cooling capacity

CR	Outdoor air temp. (°CDB)	Indoor air temp. (°C DB/WD)													
		20.8/14		23.3/16		25.8/18		27/19		28.2/20		30.7/22		32/24	
		TC kW	PI kW	TC kW	PI kW	TC kW	PI kW	TC kW	PI kW	TC kW	PI kW	TC kW	PI kW	TC kW	PI kW
130%	-5	45.3	6.08	55.1	6.81	62.1	7.35	63.9	7.97	68.3	8.51	70.2	9.25	70.7	9.31
	-2	45.3	6.08	55.1	6.96	62.1	7.35	64.4	8.02	68.3	8.51	70.2	9.37	70.7	9.41
	0	45.3	6.18	55.1	7.09	62.1	7.64	64.4	8.48	68.3	9.01	70.2	9.49	70.7	9.53
	2	45.3	6.29	55.1	7.10	62.1	7.92	64.4	8.97	68.3	9.11	70.2	9.56	70.7	9.67
	4	45.3	6.43	55.1	7.25	62.1	8.21	64.4	9.01	68.3	9.23	70.2	9.55	70.7	9.86
	6	45.3	6.56	55.1	7.41	62.1	8.54	64.4	9.09	67.2	9.51	68.2	9.55	70.7	9.93
	8	45.3	6.72	55.1	7.59	62.1	9.00	64.4	9.55	66.5	9.83	67.4	9.60	70.0	10.03
	10	45.3	6.85	55.1	7.77	62.1	9.35	64.4	9.88	65.8	9.89	67.2	9.89	69.1	10.32
	12	45.3	6.97	55.1	7.93	62.1	9.55	63.7	10.00	64.9	10.15	66.7	10.07	68.4	10.38
	14	45.3	7.12	55.1	8.09	61.7	9.60	63.2	10.05	64.1	10.25	66.2	10.24	67.5	10.62
	16	45.3	7.24	55.1	8.27	61.0	9.86	62.1	10.25	63.3	10.46	65.7	10.48	66.9	10.78
	18	45.3	7.38	55.1	8.45	60.1	10.01	61.1	10.38	62.5	10.74	65.3	10.84	66.3	10.94
	20	45.3	7.54	55.1	9.03	59.5	10.54	60.2	10.90	61.7	11.26	64.8	11.36	65.6	11.48
	21	45.3	7.74	55.1	9.37	59.2	10.80	60.4	11.16	60.9	11.52	64.3	11.64	65.0	11.74
	23	45.3	8.30	55.1	10.10	58.1	11.32	59.0	11.68	60.1	12.04	63.8	12.16	64.4	12.29
	25	45.3	8.86	55.1	10.86	57.2	11.84	58.2	12.20	59.2	12.59	63.4	12.71	63.8	12.83
	27	45.3	9.46	55.1	11.66	56.4	12.36	57.3	12.99	58.4	13.11	62.9	13.25	63.1	13.39
	29	45.3	10.10	55.1	12.50	55.5	12.88	56.5	13.69	57.6	13.65	62.4	13.79	62.5	13.93
	31	45.3	10.78	53.2	13.26	54.7	13.42	55.8	14.36	56.8	14.17	62.0	14.33	61.9	14.49
	33	45.3	11.48	52.3	13.78	53.9	13.94	54.8	15.15	56.0	14.71	61.5	14.87	61.3	15.03
	35	45.3	12.25	51.4	14.30	53.1	14.48	53.9	15.17	55.2	15.25	61.0	15.43	60.6	15.59
	37	45.3	13.03	50.6	14.95	52.3	15.03	53.3	15.41	54.4	15.81	60.5	15.99	60.0	16.17
	39	45.3	13.87	49.7	15.54	51.4	15.61	52.4	15.95	53.9	16.35	60.1	16.53	59.4	16.73
	41	45.3	14.60	49.2	16.13	50.8	16.20	51.6	16.49	52.5	16.81	54.1	16.98	58.7	17.19
43	45.3	15.17	48.8	16.73	50.5	17.24	50.8	17.49	51.9	17.67	53.1	17.82	58.1	17.99	
45	45.3	15.75	48.5	17.47	50.0	17.98	49.9	18.33	51.2	18.51	51.7	18.62	57.5	19.02	
48	45.3	17.84	48.2	18.30	49.5	18.75	49.1	19.21	50.4	19.66	50.2	20.12	56.9	20.57	
50	45.3	19.94	46.7	20.39	48.4	20.85	48.2	21.30	49.5	21.76	47.2	22.21	56.2	22.67	
52	45.3	22.03	46.0	22.49	47.7	22.94	47.4	23.40	48.7	23.85	44.9	24.31	55.6	24.76	
54	45.3	24.12	45.3	24.58	47.1	25.04	46.6	25.49	47.9	25.95	42.7	26.40	55.0	26.86	
120%	-5	42.3	5.86	49.1	6.35	57.2	7.35	62.2	8.26	65.1	8.80	66.6	9.55	68.0	9.81
	-2	42.3	5.92	49.1	6.42	57.2	7.43	62.2	8.31	65.1	8.91	66.6	9.63	68.0	9.85
	0	42.3	5.98	49.1	6.47	57.2	7.53	62.2	8.33	65.1	8.99	66.6	9.69	68.0	9.87
	2	42.3	5.99	49.1	6.55	57.2	7.59	62.2	8.42	65.1	9.03	66.6	9.77	68.0	9.89
	4	42.3	6.05	49.1	6.64	57.2	7.71	62.2	8.50	65.1	9.16	66.6	9.79	68.0	9.92
	6	42.3	6.12	49.1	6.70	57.2	7.81	62.2	8.61	65.1	9.27	66.6	9.87	68.0	9.95
	8	42.3	6.17	49.1	6.77	57.2	7.93	62.2	8.73	65.1	9.37	66.6	9.90	68.0	10.00
	10	42.3	6.25	49.1	6.87	57.2	8.01	62.2	8.91	65.1	9.38	66.6	9.93	68.0	10.04
	12	42.3	6.37	49.1	7.01	57.2	8.19	62.2	9.09	64.2	9.42	65.7	9.88	67.1	10.11
	14	42.3	6.49	49.1	7.17	57.2	8.37	62.2	9.29	63.3	9.48	64.9	10.03	66.4	10.24
	16	42.3	6.61	49.1	7.33	57.2	8.55	62.1	9.42	62.6	9.63	64.0	10.21	65.5	10.40
	18	42.3	6.73	49.1	7.49	57.2	8.88	60.8	9.71	61.7	9.90	63.1	10.45	64.8	10.55
	20	42.3	6.87	49.1	7.81	57.2	9.64	60.2	10.23	60.9	10.42	62.4	10.97	63.9	11.07
	21	42.3	6.93	49.1	8.11	57.2	10.02	59.1	10.86	60.4	10.68	62.0	11.23	63.5	11.35
	23	42.3	7.41	49.1	8.75	57.2	10.80	57.9	11.72	59.7	11.20	61.1	11.77	62.6	11.87
	25	42.3	7.91	49.1	9.42	56.2	11.32	57.2	12.23	58.8	11.72	60.4	12.29	61.8	12.41
	27	42.3	8.45	49.1	10.12	55.5	11.82	56.3	13.03	58.0	12.26	59.5	12.83	60.9	12.95
	29	42.3	9.01	49.1	10.86	54.6	12.34	55.3	13.58	57.1	12.78	58.6	13.37	60.2	13.49
	31	42.3	9.61	49.1	11.64	53.7	12.88	54.6	14.25	56.4	13.32	57.8	13.91	59.3	14.05
	33	42.3	10.23	49.1	12.46	53.0	13.40	53.7	14.85	55.5	13.84	56.9	14.45	58.4	14.59
	35	42.3	10.89	49.1	13.34	52.1	13.92	52.8	15.05	54.7	14.38	56.2	14.99	57.7	15.15
	37	42.3	11.59	49.1	14.26	51.3	14.46	52.1	15.14	53.3	15.23	55.3	15.53	56.8	15.71
	39	42.3	12.33	49.0	15.10	50.4	14.98	51.2	15.23	52.4	15.46	54.6	16.09	56.0	16.25
	41	42.3	13.01	48.6	15.21	50.0	15.51	50.8	15.95	51.5	16.00	53.1	16.63	54.4	16.81
43	42.3	13.58	48.3	15.33	49.6	15.94	50.4	16.30	51.1	16.54	52.2	17.17	53.6	17.36	
45	42.3	14.15	48.0	15.48	49.2	16.26	49.8	16.87	50.6	17.08	51.1	17.72	53.2	17.91	
48	42.3	16.23	47.7	16.68	48.7	17.13	49.4	17.59	50.2	18.04	50.2	18.49	52.6	18.94	
50	42.3	18.31	47.5	18.76	48.2	19.21	48.8	19.66	49.4	20.12	49.1	20.57	51.4	21.02	
52	42.3	20.39	47.2	20.84	47.7	21.29	48.3	21.74	48.8	22.19	48.0	22.64	50.6	23.10	
54	42.3	22.46	46.9	22.91	47.2	23.37	47.8	23.82	48.2	24.27	47.0	24.72	49.7	25.17	

**Abbreviations:**

CR: Combination ratio

TC: Total capacity (kW)

PI: Power input (compressor + outdoor fan motor) (kW)

**Notes:**

- Shaded cells indicate rating condition.

Table continued on next page ...



Table 2-8.6: 18HP cooling capacity (continued)

CR	Outdoor air temp. (°CDB)	Indoor air temp. (°C DB/WD)													
		20.8/14		23.3/16		25.8/18		27/19		28.2/20		30.7/22		32/24	
		TC kW	PI kW	TC kW	PI kW	TC kW	PI kW	TC kW	PI kW	TC kW	PI kW	TC kW	PI kW	TC kW	PI kW
110%	-5	39.1	5.12	45.2	5.78	54.6	6.86	56.4	7.72	60.8	8.49	65.3	8.83	66.8	9.41
	-2	39.1	5.22	45.2	5.86	54.6	6.93	56.4	7.80	60.8	8.56	65.3	8.92	66.8	9.46
	0	39.1	5.28	45.2	5.90	54.6	6.99	56.4	7.86	60.8	8.66	65.3	9.01	66.8	9.58
	2	39.1	5.39	45.2	5.96	54.6	7.11	56.4	7.95	60.8	8.76	65.3	9.15	66.8	9.70
	4	39.1	5.50	45.2	6.04	54.6	7.18	56.4	8.05	60.8	8.89	65.3	9.28	66.8	9.79
	6	39.1	5.55	45.2	6.11	54.6	7.26	56.4	8.19	60.8	9.00	65.3	9.38	66.8	9.94
	8	39.1	5.60	45.2	6.22	54.6	7.35	56.4	8.28	60.8	9.10	65.3	9.44	66.8	10.04
	10	39.1	5.67	45.2	6.31	54.6	7.47	56.4	8.43	60.8	9.26	65.3	9.51	66.8	10.13
	12	39.1	5.79	45.2	6.45	54.6	7.63	56.4	8.61	60.8	9.44	64.6	9.66	65.9	10.26
	14	39.1	5.89	45.2	6.57	54.6	7.79	56.4	8.77	60.8	9.62	63.7	9.74	65.1	10.33
	16	39.1	5.99	45.2	6.71	54.6	7.95	56.4	8.95	60.8	9.82	62.9	9.86	64.2	10.45
	18	39.1	6.11	45.2	6.85	54.6	8.13	56.4	9.21	60.8	10.30	62.0	10.38	63.5	10.78
	20	39.1	6.23	45.2	7.01	54.6	8.65	56.4	9.93	59.9	10.82	61.3	10.90	62.6	11.30
	21	39.1	6.29	45.2	7.23	54.6	8.99	56.4	10.71	59.5	11.08	60.8	11.16	62.2	11.56
	23	39.1	6.59	45.2	7.80	54.6	9.69	56.4	11.40	58.6	11.58	60.0	11.70	61.3	12.10
	25	39.1	7.03	45.2	8.38	54.6	10.41	56.4	12.16	57.8	12.10	59.1	12.22	60.6	12.62
	27	39.1	7.49	45.2	9.00	54.6	11.19	55.7	12.75	56.9	12.62	58.4	12.74	59.7	13.16
	29	39.1	7.99	45.2	9.64	54.6	12.01	54.7	13.49	56.2	13.16	57.5	13.28	58.9	13.70
	31	39.1	8.51	45.2	10.32	54.6	12.87	53.6	14.23	55.3	13.68	56.8	13.80	58.0	14.24
	33	39.1	9.06	45.2	11.04	54.6	13.61	53.3	14.78	54.6	14.20	55.8	14.35	57.3	14.79
	35	39.1	9.64	45.2	11.80	51.7	14.14	51.9	14.96	53.7	14.75	54.9	14.89	56.4	15.33
	37	39.1	10.55	45.2	12.60	50.4	14.68	51.3	15.04	52.8	15.27	54.2	15.43	55.5	15.87
	39	39.1	11.45	45.2	13.47	49.5	15.20	50.4	15.58	51.8	15.81	53.3	15.97	54.8	16.43
	41	39.1	12.35	45.2	13.58	48.6	15.31	49.9	15.69	51.0	15.92	51.6	16.15	53.1	16.54
43	39.1	13.25	45.2	13.76	47.7	15.42	49.3	15.80	50.1	16.03	51.2	16.58	52.3	16.88	
45	39.1	14.00	45.2	14.25	46.8	15.74	48.4	16.13	49.3	16.36	49.8	16.94	51.2	17.43	
48	39.1	16.07	45.2	16.51	45.9	16.96	47.8	17.41	48.4	17.86	49.3	18.31	50.1	18.76	
50	39.1	18.13	44.1	18.58	45.0	19.03	47.1	19.48	47.6	19.93	48.2	20.38	49.0	20.82	
52	39.1	20.20	43.1	20.64	44.1	21.09	46.4	21.54	46.7	21.99	47.2	22.44	47.8	22.89	
54	39.1	22.26	42.1	22.71	43.2	23.16	45.6	23.61	45.8	24.06	46.2	24.51	46.7	24.95	
100%	-5	35.1	5.26	41.2	5.73	49.3	6.32	50.0	7.42	54.2	7.25	62.3	8.03	64.2	8.85
	-2	35.1	5.34	41.2	5.81	49.3	6.45	50.0	7.48	54.2	7.35	62.3	8.13	64.2	8.91
	0	35.1	5.39	41.2	5.88	49.3	6.56	50.0	7.59	54.2	7.42	62.3	8.28	64.2	9.01
	2	35.1	5.47	41.2	5.95	49.3	6.71	50.0	7.66	54.2	7.51	62.3	8.41	64.2	9.16
	4	35.1	5.53	41.2	6.06	49.3	6.79	50.0	7.77	54.2	7.61	62.3	8.50	64.2	9.26
	6	35.1	5.64	41.2	6.14	49.3	6.91	50.0	7.94	54.2	7.73	62.3	8.63	64.2	9.41
	8	35.1	5.73	41.2	6.27	49.3	7.04	50.0	8.08	54.2	7.86	62.3	8.78	64.2	9.57
	10	35.1	5.85	41.2	6.39	49.3	7.15	50.0	8.21	54.2	8.02	62.3	8.93	64.2	9.71
	12	35.1	5.97	41.2	6.53	49.3	7.42	50.0	8.37	54.2	8.18	62.3	9.11	63.3	9.79
	14	35.1	6.09	41.2	6.67	49.3	7.77	50.0	8.91	54.2	8.33	62.3	9.31	62.6	9.91
	16	35.1	6.20	41.2	6.83	49.3	7.96	50.0	9.13	54.2	8.51	60.5	9.43	61.7	10.03
	18	35.1	6.32	41.2	6.96	49.3	8.26	50.0	9.49	54.2	8.69	59.8	9.77	61.0	10.29
	20	35.1	6.46	41.2	7.20	49.3	8.95	50.0	10.14	54.2	9.35	58.9	10.26	60.1	10.80
	21	35.1	6.52	41.2	7.50	49.3	9.59	50.0	10.75	54.2	9.68	58.5	10.52	59.8	11.06
	23	35.1	6.98	41.2	8.09	49.3	10.31	50.0	11.49	54.2	10.41	57.8	11.03	58.9	11.57
	25	35.1	7.47	41.2	8.73	49.3	11.13	50.0	12.07	54.2	11.19	56.9	11.55	58.1	12.09
	27	35.1	7.99	41.2	9.38	49.3	11.78	50.0	12.79	54.2	12.00	56.0	12.06	57.3	12.62
	29	35.1	8.54	41.2	10.07	49.3	12.67	50.0	13.17	54.0	12.77	55.3	13.04	56.5	13.14
	31	35.1	9.14	41.2	10.81	49.3	13.55	50.0	13.41	53.3	13.29	54.4	13.51	55.6	13.67
	33	35.1	9.75	41.2	11.58	49.3	14.19	50.0	13.79	52.4	13.80	53.7	14.00	54.9	14.21
	35	35.1	10.38	41.2	12.41	49.3	14.48	50.0	14.70	51.5	14.72	52.8	14.87	54.0	15.02
	37	35.1	11.08	41.2	13.28	49.3	14.59	49.4	15.37	51.0	15.59	52.1	15.78	53.1	15.99
	39	35.1	11.79	41.2	14.19	49.3	14.85	48.7	15.97	50.3	16.24	51.2	16.56	52.4	16.69
	41	35.1	12.23	41.2	14.75	49.3	15.07	48.1	16.54	49.6	16.88	49.3	17.04	51.7	17.22
43	35.1	12.67	41.2	15.04	49.3	15.57	47.9	17.32	48.9	17.60	49.6	17.90	49.8	18.04	
45	35.1	13.26	41.2	15.45	49.3	16.55	47.6	18.42	48.2	19.44	49.2	20.42	49.0	20.81	
48	35.1	15.29	41.2	16.47	49.3	17.64	47.1	19.85	47.5	21.02	48.1	22.20	48.3	23.37	
50	35.1	17.32	41.2	18.49	49.3	19.67	46.6	20.85	46.8	22.02	47.3	23.20	47.5	24.37	
52	35.1	19.35	41.2	20.52	49.3	21.70	46.2	22.87	46.1	24.05	46.6	25.23	46.8	26.40	
54	35.1	21.38	41.2	22.55	49.3	23.73	45.8	24.90	45.4	26.08	45.9	27.26	46.1	28.43	

Abbreviations:

CR: Combination ratio

TC: Total capacity (kW)

PI: Power input (compressor + outdoor fan motor) (kW)

Notes:

1. Shaded cells indicate rating condition.

Table continued on next page ...

Table 2-8.6: 18HP cooling capacity (continued)

CR	Outdoor air temp. (°CDB)	Indoor air temp. (°C DB/WD)													
		20.8/14		23.3/16		25.8/18		27/19		28.2/20		30.7/22		32/24	
		TC	PI	TC	PI	TC	PI	TC	PI	TC	PI	TC	PI	TC	PI
		kW	kW	kW	kW	kW	kW	kW	kW	kW	kW	kW	kW	kW	kW
90%	-5	30.5	4.21	36.4	4.59	42.3	5.06	45.2	5.94	48.9	5.80	55.7	6.42	59.8	7.08
	-2	30.5	4.27	36.4	4.65	42.3	5.16	45.2	5.98	48.9	5.88	55.7	6.50	59.8	7.13
	0	30.5	4.32	36.4	4.70	42.3	5.25	45.2	6.07	48.9	5.94	55.7	6.62	59.8	7.21
	2	30.5	4.38	36.4	4.76	42.3	5.36	45.2	6.13	48.9	6.01	55.7	6.73	59.8	7.33
	4	30.5	4.42	36.4	4.85	42.3	5.43	45.2	6.22	48.9	6.09	55.7	6.80	59.8	7.41
	6	30.5	4.52	36.4	4.92	42.3	5.53	45.2	6.35	48.9	6.19	55.7	6.90	59.8	7.53
	8	30.5	4.59	36.4	5.02	42.3	5.63	45.2	6.47	48.9	6.29	55.7	7.02	59.8	7.66
	10	30.5	4.68	36.4	5.11	42.3	5.72	45.2	6.57	48.9	6.42	55.7	7.15	59.8	7.77
	12	30.5	4.77	36.4	5.22	42.3	5.94	45.2	6.70	48.9	6.54	55.7	7.29	59.8	7.83
	14	30.5	4.87	36.4	5.33	42.3	6.21	45.2	7.12	48.9	6.67	55.7	7.45	59.8	7.93
	16	30.5	4.96	36.4	5.46	42.3	6.36	45.2	7.30	48.9	6.81	55.7	7.54	59.8	8.02
	18	30.5	5.06	36.4	5.57	42.3	6.61	45.2	7.59	48.9	6.95	55.7	7.81	59.8	8.23
	20	30.5	5.17	36.4	5.76	42.3	7.16	45.2	8.11	48.9	7.48	55.7	8.21	59.8	8.64
	21	30.5	5.22	36.4	6.00	42.3	7.67	45.2	8.60	48.9	7.75	55.7	8.41	59.8	8.85
	23	30.5	5.58	36.4	6.47	42.3	8.25	45.2	9.20	48.9	8.33	55.7	8.83	59.8	9.26
	25	30.5	5.98	36.4	6.98	42.3	8.90	45.2	9.66	48.9	8.95	55.7	9.24	59.8	9.67
	27	30.5	6.39	36.4	7.50	42.3	9.43	45.2	10.24	48.9	9.60	55.7	9.65	59.8	10.10
	29	30.5	6.83	36.4	8.06	42.3	10.13	45.2	10.54	48.9	10.22	55.7	10.43	59.8	10.51
	31	30.5	7.31	36.4	8.64	42.3	10.84	45.2	10.73	48.9	10.63	55.7	10.81	59.8	10.94
	33	30.5	7.80	36.4	9.26	42.3	11.35	45.2	11.04	48.9	11.04	55.7	11.20	59.8	11.37
	35	30.5	8.31	36.4	9.93	42.3	11.59	45.2	11.76	48.9	11.78	55.7	11.90	59.8	12.01
	37	30.5	8.86	36.4	10.63	42.3	11.67	45.2	12.29	48.9	12.47	55.7	12.63	59.8	12.79
	39	30.5	9.43	36.4	11.36	42.3	11.88	45.2	12.49	48.9	12.99	55.7	13.25	59.8	13.36
	41	30.5	9.79	36.4	11.80	42.3	12.06	45.2	12.72	48.9	13.50	55.7	13.63	59.8	13.77
43	30.5	10.14	36.4	12.03	42.3	12.46	45.2	12.96	48.9	14.08	55.7	14.32	59.8	14.43	
45	30.5	10.61	36.4	12.36	42.3	13.24	45.2	13.19	48.9	14.38	55.7	14.92	59.8	15.24	
48	30.5	12.23	36.4	12.82	42.3	13.41	45.2	14.00	48.9	14.58	55.7	15.17	59.8	15.76	
50	30.5	13.85	36.4	14.44	42.3	15.03	45.2	15.62	48.9	16.21	55.7	16.79	59.8	17.38	
52	30.5	15.48	36.4	16.07	42.3	16.65	45.2	17.24	48.9	17.83	55.7	18.42	59.8	19.01	
54	30.5	17.10	36.4	17.69	42.3	18.28	45.2	18.86	48.9	19.45	55.7	20.04	59.8	20.63	
80%	-5	27.1	3.22	32.3	3.33	37.6	3.87	40.3	3.61	43.8	4.81	49.8	5.53	53.4	6.33
	-2	27.1	3.27	32.3	3.37	37.6	3.92	40.3	3.62	43.8	4.86	49.8	5.58	53.4	6.39
	0	27.1	3.30	32.3	3.41	37.6	3.99	40.3	3.70	43.8	4.93	49.8	5.64	53.4	6.44
	2	27.1	3.35	32.3	3.46	37.6	4.03	40.3	3.86	43.8	5.00	49.8	5.76	53.4	6.53
	4	27.1	3.38	32.3	3.51	37.6	4.10	40.3	3.87	43.8	5.07	49.8	5.85	53.4	6.63
	6	27.1	3.46	32.3	3.58	37.6	4.18	40.3	3.98	43.8	5.16	49.8	5.94	53.4	6.74
	8	27.1	3.51	32.3	3.65	37.6	4.28	40.3	4.13	43.8	5.25	49.8	6.05	53.4	6.80
	10	27.1	3.58	32.3	3.74	37.6	4.36	40.3	4.17	43.8	5.37	49.8	6.13	53.4	6.91
	12	27.1	3.65	32.3	3.81	37.6	4.44	40.3	4.28	43.8	5.47	49.8	6.25	53.4	7.04
	14	27.1	3.73	32.3	3.88	37.6	4.53	40.3	4.37	43.8	5.56	49.8	6.36	53.4	7.17
	16	27.1	3.80	32.3	3.95	37.6	4.63	40.3	4.47	43.8	5.68	49.8	6.49	53.4	7.30
	18	27.1	3.87	32.3	4.04	37.6	4.71	40.3	4.63	43.8	5.79	49.8	6.61	53.4	7.52
	20	27.1	3.96	32.3	4.13	37.6	4.81	40.3	5.04	43.8	6.00	49.8	7.11	53.4	7.88
	21	27.1	3.99	32.3	4.16	37.6	4.90	40.3	5.41	43.8	6.22	49.8	7.37	53.4	8.06
	23	27.1	4.27	32.3	4.33	37.6	5.27	40.3	5.87	43.8	6.67	49.8	7.91	53.4	8.43
	25	27.1	4.57	32.3	4.65	37.6	5.65	40.3	6.31	43.8	7.13	49.8	8.46	53.4	8.80
	27	27.1	4.89	32.3	4.96	37.6	6.05	40.3	6.92	43.8	7.62	49.8	9.06	53.4	9.17
	29	27.1	5.23	32.3	5.30	37.6	6.47	40.3	7.21	43.8	8.15	49.8	9.47	53.4	9.54
	31	27.1	5.59	32.3	5.65	37.6	6.91	40.3	7.71	43.8	8.69	49.8	9.84	53.4	9.92
	33	27.1	5.97	32.3	6.02	37.6	7.39	40.3	8.21	43.8	9.27	49.8	10.22	53.4	10.29
	35	27.1	6.36	32.3	6.42	37.6	7.89	40.3	9.00	43.8	9.88	49.8	10.59	53.4	10.67
	37	27.1	6.78	32.3	6.83	37.6	8.42	40.3	9.41	43.8	10.53	49.8	10.96	53.4	11.04
	39	27.1	7.22	32.3	7.29	37.6	8.97	40.3	9.77	43.8	11.23	49.8	11.34	53.4	11.43
	41	27.1	7.49	32.3	7.62	37.6	9.31	40.3	10.13	43.8	11.28	49.8	11.63	53.4	11.70
43	27.1	7.76	32.3	7.96	37.6	9.65	40.3	10.61	43.8	11.52	49.8	11.78	53.4	11.88	
45	27.1	8.12	32.3	8.37	37.6	10.05	40.3	11.28	43.8	11.84	49.8	11.90	53.4	12.04	
48	27.1	9.36	32.3	10.08	37.6	10.80	40.3	11.52	43.8	12.24	49.8	12.96	53.4	13.68	
50	27.1	10.60	32.3	11.32	37.6	12.04	40.3	12.76	43.8	13.48	49.8	14.20	53.4	14.92	
52	27.1	11.84	32.3	12.56	37.6	13.28	40.3	14.00	43.8	14.72	49.8	15.44	53.4	16.16	
54	27.1	13.09	32.3	13.81	37.6	14.53	40.3	15.25	43.8	15.97	49.8	16.69	53.4	17.41	

**Abbreviations:**

CR: Combination ratio

TC: Total capacity (kW)

PI: Power input (compressor + outdoor fan motor) (kW)

**Notes:**

1. Shaded cells indicate rating condition.

Table continued on next page ...

Table 2-8.6: 18HP cooling capacity (continued)

CR	Outdoor air temp. (°CDB)	Indoor air temp. (°C DB/WD)													
		20.8/14		23.3/16		25.8/18		27/19		28.2/20		30.7/22		32/24	
		TC	PI	TC	PI	TC	PI	TC	PI	TC	PI	TC	PI	TC	PI
		kW	kW	kW	kW	kW	kW	kW	kW	kW	kW	kW	kW	kW	kW
70%	-5	23.8	2.61	28.5	2.70	33.0	3.14	35.3	3.62	38.3	3.90	43.6	4.48	46.8	5.13
	-2	23.8	2.65	28.5	2.73	33.0	3.18	35.3	3.64	38.3	3.94	43.6	4.52	46.8	5.18
	0	23.8	2.68	28.5	2.77	33.0	3.23	35.3	3.66	38.3	3.99	43.6	4.58	46.8	5.22
	2	23.8	2.72	28.5	2.80	33.0	3.27	35.3	3.76	38.3	4.06	43.6	4.67	46.8	5.30
	4	23.8	2.74	28.5	2.85	33.0	3.33	35.3	3.82	38.3	4.11	43.6	4.74	46.8	5.38
	6	23.8	2.80	28.5	2.90	33.0	3.39	35.3	3.89	38.3	4.18	43.6	4.82	46.8	5.47
	8	23.8	2.85	28.5	2.96	33.0	3.47	35.3	3.96	38.3	4.25	43.6	4.91	46.8	5.52
	10	23.8	2.90	28.5	3.03	33.0	3.53	35.3	4.03	38.3	4.35	43.6	4.97	46.8	5.60
	12	23.8	2.96	28.5	3.09	33.0	3.60	35.3	4.10	38.3	4.43	43.6	5.06	46.8	5.71
	14	23.8	3.02	28.5	3.15	33.0	3.67	35.3	4.23	38.3	4.51	43.6	5.16	46.8	5.81
	16	23.8	3.08	28.5	3.20	33.0	3.75	35.3	4.25	38.3	4.60	43.6	5.26	46.8	5.92
	18	23.8	3.14	28.5	3.27	33.0	3.82	35.3	4.26	38.3	4.70	43.6	5.36	46.8	6.10
	20	23.8	3.21	28.5	3.35	33.0	3.90	35.3	4.54	38.3	4.87	43.6	5.77	46.8	6.39
	21	23.8	3.24	28.5	3.38	33.0	3.97	35.3	4.86	38.3	5.04	43.6	5.97	46.8	6.54
	23	23.8	3.46	28.5	3.51	33.0	4.27	35.3	5.12	38.3	5.41	43.6	6.41	46.8	6.84
	25	23.8	3.71	28.5	3.77	33.0	4.58	35.3	5.50	38.3	5.78	43.6	6.86	46.8	7.14
	27	23.8	3.96	28.5	4.02	33.0	4.90	35.3	5.90	38.3	6.18	43.6	7.34	46.8	7.43
	29	23.8	4.24	28.5	4.30	33.0	5.25	35.3	6.17	38.3	6.61	43.6	7.68	46.8	7.73
	31	23.8	4.54	28.5	4.58	33.0	5.60	35.3	6.58	38.3	7.04	43.6	7.98	46.8	8.05
	33	23.8	4.84	28.5	4.88	33.0	6.00	35.3	6.98	38.3	7.52	43.6	8.29	46.8	8.34
	35	23.8	5.15	28.5	5.21	33.0	6.40	35.3	7.30	38.3	8.01	43.6	8.59	46.8	8.66
	37	23.8	5.50	28.5	5.54	33.0	6.82	35.3	7.63	38.3	8.54	43.6	8.89	46.8	8.95
	39	23.8	5.85	28.5	5.91	33.0	7.27	35.3	7.93	38.3	9.11	43.6	9.20	46.8	9.27
	41	23.8	6.07	28.5	6.18	33.0	7.55	35.3	8.21	38.3	9.15	43.6	9.43	46.8	9.48
43	23.8	6.29	28.5	6.46	33.0	7.82	35.3	8.60	38.3	9.34	43.6	9.55	46.8	9.63	
45	23.8	6.58	28.5	6.78	33.0	8.15	35.3	9.15	38.3	9.60	43.6	10.38	46.8	10.83	
48	23.8	7.59	28.5	8.32	33.0	9.05	35.3	9.78	38.3	10.51	43.6	11.24	46.8	11.97	
50	23.8	8.60	28.5	9.33	33.0	10.06	35.3	10.79	38.3	11.52	43.6	12.25	46.8	12.97	
52	23.8	9.60	28.5	10.33	33.0	11.06	35.3	11.79	38.3	12.52	43.6	13.25	46.8	13.98	
54	23.8	10.61	28.5	11.34	33.0	12.07	35.3	12.80	38.3	13.53	43.6	14.26	46.8	14.99	
60%	-5	20.3	2.11	24.2	2.29	28.2	2.53	30.2	3.24	32.7	3.53	37.3	3.92	40.0	4.50
	-2	20.3	2.14	24.2	2.32	28.2	2.56	30.2	3.28	32.7	3.59	37.3	3.98	40.0	4.53
	0	20.3	2.16	24.2	2.35	28.2	2.61	30.2	3.32	32.7	3.64	37.3	4.04	40.0	4.59
	2	20.3	2.19	24.2	2.38	28.2	2.64	30.2	3.39	32.7	3.69	37.3	4.12	40.0	4.65
	4	20.3	2.21	24.2	2.42	28.2	2.68	30.2	3.43	32.7	3.77	37.3	4.19	40.0	4.71
	6	20.3	2.26	24.2	2.46	28.2	2.74	30.2	3.51	32.7	3.84	37.3	4.27	40.0	4.82
	8	20.3	2.29	24.2	2.51	28.2	2.79	30.2	3.57	32.7	3.92	37.3	4.35	40.0	4.90
	10	20.3	2.34	24.2	2.56	28.2	2.85	30.2	3.67	32.7	3.98	37.3	4.44	40.0	4.89
	12	20.3	2.39	24.2	2.61	28.2	2.90	30.2	3.74	32.7	4.06	37.3	4.52	40.0	4.97
	14	20.3	2.44	24.2	2.67	28.2	2.96	30.2	3.80	32.7	4.13	37.3	4.60	40.0	5.05
	16	20.3	2.48	24.2	2.73	28.2	3.03	30.2	3.87	32.7	4.21	37.3	4.68	40.0	5.15
	18	20.3	2.53	24.2	2.79	28.2	3.08	30.2	3.93	32.7	4.29	37.3	4.76	40.0	5.25
	20	20.3	2.59	24.2	2.88	28.2	3.15	30.2	4.01	32.7	4.32	37.3	4.86	40.0	5.35
	21	20.3	2.61	24.2	3.00	28.2	3.20	30.2	4.30	32.7	4.40	37.3	4.91	40.0	5.46
	23	20.3	2.79	24.2	3.24	28.2	3.44	30.2	4.60	32.7	4.68	37.3	5.10	40.0	5.51
	25	20.3	2.99	24.2	3.49	28.2	3.69	30.2	4.85	32.7	4.99	37.3	5.44	40.0	5.87
	27	20.3	3.20	24.2	3.75	28.2	3.95	30.2	5.09	32.7	5.31	37.3	5.80	40.0	6.26
	29	20.3	3.42	24.2	4.03	28.2	4.23	30.2	5.30	32.7	5.66	37.3	6.19	40.0	6.68
	31	20.3	3.66	24.2	4.32	28.2	4.52	30.2	5.60	32.7	6.01	37.3	6.58	40.0	7.13
	33	20.3	3.90	24.2	4.63	28.2	4.83	30.2	5.83	32.7	6.39	37.3	7.00	40.0	7.59
	35	20.3	4.16	24.2	4.97	28.2	5.16	30.2	5.88	32.7	6.78	37.3	7.46	40.0	8.09
	37	20.3	4.43	24.2	5.32	28.2	5.50	30.2	6.15	32.7	7.20	37.3	7.93	40.0	8.61
	39	20.3	4.72	24.2	5.68	28.2	5.86	30.2	6.39	32.7	7.46	37.3	8.42	40.0	9.17
	41	20.3	4.90	24.2	5.90	28.2	6.08	30.2	6.62	32.7	7.72	37.3	8.81	40.0	9.75
43	20.3	5.07	24.2	6.02	28.2	6.31	30.2	6.93	32.7	8.11	37.3	9.19	40.0	10.19	
45	20.3	5.48	24.2	6.77	28.2	7.16	30.2	7.55	32.7	8.76	37.3	9.60	40.0	10.63	
48	20.3	6.30	24.2	7.06	28.2	7.82	30.2	8.59	32.7	9.35	37.3	10.12	40.0	10.88	
50	20.3	7.11	24.2	7.87	28.2	8.64	30.2	9.40	32.7	10.17	37.3	10.93	40.0	11.70	
52	20.3	7.92	24.2	8.68	28.2	9.45	30.2	10.21	32.7	10.98	37.3	11.74	40.0	12.51	
54	20.3	8.73	24.2	9.50	28.2	10.26	30.2	11.03	32.7	11.79	37.3	12.55	40.0	13.32	

Abbreviations:

CR: Combination ratio

TC: Total capacity (kW)

PI: Power input (compressor + outdoor fan motor) (kW)

Notes:

1. Shaded cells indicate rating condition.

Table continued on next page ...

Table 2-8.6: 18HP cooling capacity (continued)

CR	Outdoor air temp. (°CDB)	Indoor air temp. (°C DB/WD)													
		20.8/14		23.3/16		25.8/18		27/19		28.2/20		30.7/22		32/24	
		TC	PI	TC	PI	TC	PI	TC	PI	TC	PI	TC	PI	TC	PI
		kW	kW	kW	kW	kW	kW	kW	kW	kW	kW	kW	kW	kW	kW
50%	-5	17.0	1.74	20.4	1.90	23.6	2.09	25.3	2.87	27.4	2.98	31.1	3.39	33.5	3.65
	-2	17.0	1.77	20.4	1.92	23.6	2.12	25.3	2.94	27.4	3.03	31.1	3.43	33.5	3.70
	0	17.0	1.79	20.4	1.95	23.6	2.16	25.3	2.96	27.4	3.07	31.1	3.49	33.5	3.77
	2	17.0	1.81	20.4	1.97	23.6	2.18	25.3	2.97	27.4	3.12	31.1	3.51	33.5	3.84
	4	17.0	1.83	20.4	2.01	23.6	2.22	25.3	2.97	27.4	3.19	31.1	3.60	33.5	3.94
	6	17.0	1.87	20.4	2.04	23.6	2.27	25.3	3.00	27.4	3.24	31.1	3.65	33.5	4.05
	8	17.0	1.90	20.4	2.08	23.6	2.31	25.3	3.01	27.4	3.29	31.1	3.71	33.5	4.18
	10	17.0	1.94	20.4	2.12	23.6	2.36	25.3	2.98	27.4	3.38	31.1	3.81	33.5	4.25
	12	17.0	1.98	20.4	2.16	23.6	2.41	25.3	3.00	27.4	3.45	31.1	3.87	33.5	4.31
	14	17.0	2.02	20.4	2.21	23.6	2.45	25.3	3.01	27.4	3.50	31.1	3.94	33.5	4.40
	16	17.0	2.06	20.4	2.26	23.6	2.50	25.3	3.02	27.4	3.55	31.1	4.01	33.5	4.47
	18	17.0	2.10	20.4	2.31	23.6	2.55	25.3	3.04	27.4	3.62	31.1	4.08	33.5	4.55
	20	17.0	2.14	20.4	2.39	23.6	2.60	25.3	3.18	27.4	3.69	31.1	4.14	33.5	4.63
	21	17.0	2.16	20.4	2.48	23.6	2.65	25.3	3.34	27.4	3.72	31.1	4.19	33.5	4.69
	23	17.0	2.31	20.4	2.68	23.6	2.85	25.3	3.56	27.4	3.79	31.1	4.26	33.5	4.79
	25	17.0	2.48	20.4	2.89	23.6	3.06	25.3	3.79	27.4	3.91	31.1	4.48	33.5	5.11
	27	17.0	2.65	20.4	3.11	23.6	3.27	25.3	4.09	27.4	4.14	31.1	4.77	33.5	5.45
	29	17.0	2.83	20.4	3.34	23.6	3.50	25.3	4.21	27.4	4.42	31.1	5.07	33.5	5.80
	31	17.0	3.03	20.4	3.58	23.6	3.74	25.3	4.49	27.4	4.69	31.1	5.40	33.5	6.17
	33	17.0	3.23	20.4	3.84	23.6	4.00	25.3	4.73	27.4	4.97	31.1	5.73	33.5	6.56
35	17.0	3.44	20.4	4.11	23.6	4.27	25.3	4.87	27.4	5.26	31.1	6.09	33.5	6.97	
37	17.0	3.67	20.4	4.40	23.6	4.56	25.3	5.09	27.4	5.58	31.1	6.46	33.5	7.41	
39	17.0	3.91	20.4	4.70	23.6	4.86	25.3	5.29	27.4	5.92	31.1	6.85	33.5	7.87	
41	17.0	4.05	20.4	4.89	23.6	5.04	25.3	5.48	27.4	6.18	31.1	7.22	33.5	8.23	
43	17.0	4.20	20.4	4.98	23.6	5.22	25.3	5.84	27.4	6.33	31.1	7.58	33.5	8.60	
45	17.0	4.39	20.4	5.61	23.6	5.98	25.3	6.45	27.4	7.08	31.1	8.31	33.5	8.96	
48	17.0	5.16	20.4	5.90	23.6	6.63	25.3	7.36	27.4	8.09	31.1	8.82	33.5	9.55	
50	17.0	5.93	20.4	6.66	23.6	7.40	25.3	8.13	27.4	8.86	31.1	9.59	33.5	10.32	
52	17.0	6.70	20.4	7.43	23.6	8.17	25.3	8.90	27.4	9.63	31.1	10.36	33.5	11.09	
54	17.0	7.47	20.4	8.20	23.6	8.93	25.3	9.67	27.4	10.40	31.1	11.13	33.5	11.86	

**Abbreviations:**

CR: Combination ratio

TC: Total capacity (kW)

PI: Power input (compressor + outdoor fan motor) (kW)

**Notes:**

1. Shaded cells indicate rating condition.

Table 2-8.7: 20HP cooling capacity

CR	Outdoor air temp. (°CDB)	Indoor air temp. (°C DB/WD)													
		20.8/14		23.3/16		25.8/18		27/19		28.2/20		30.7/22		32/24	
		TC	PI	TC	PI	TC	PI	TC	PI	TC	PI	TC	PI	TC	PI
		kW	kW	kW	kW	kW	kW	kW	kW	kW	kW	kW	kW	kW	kW
130%	-5	50.7	6.62	61.7	7.41	69.6	8.00	71.6	8.68	76.5	9.26	78.6	10.07	79.2	10.14
	-2	50.7	6.62	61.7	7.57	69.6	8.00	72.2	8.73	76.5	9.26	78.6	10.20	79.2	10.24
	0	50.7	6.73	61.7	7.71	69.6	8.31	72.2	9.23	76.5	9.80	78.6	10.33	79.2	10.38
	2	50.7	6.85	61.7	7.73	69.6	8.62	72.2	9.77	76.5	9.91	78.6	10.40	79.2	10.53
	4	50.7	7.00	61.7	7.90	69.6	8.94	72.2	9.81	76.5	10.04	78.6	10.40	79.2	10.73
	6	50.7	7.14	61.7	8.07	69.6	9.30	72.2	9.89	75.2	10.36	76.3	10.39	79.2	10.81
	8	50.7	7.31	61.7	8.27	69.6	9.79	72.2	10.39	74.5	10.69	75.5	10.44	78.4	10.91
	10	50.7	7.46	61.7	8.46	69.6	10.18	72.2	10.75	73.7	10.77	75.3	10.77	77.4	11.23
	12	50.7	7.59	61.7	8.63	69.6	10.40	71.4	10.88	72.7	11.05	74.7	10.96	76.6	11.30
	14	50.7	7.74	61.7	8.81	69.1	10.44	70.8	10.93	71.8	11.15	74.1	11.15	75.6	11.56
	16	50.7	7.88	61.7	9.00	68.3	10.74	69.6	11.15	70.9	11.38	73.6	11.41	74.9	11.74
	18	50.7	8.03	61.7	9.20	67.3	10.90	68.4	11.30	70.0	11.69	73.1	11.80	74.2	11.91
	20	50.7	8.20	61.7	9.83	66.6	11.47	67.4	11.86	69.1	12.26	72.6	12.37	73.5	12.50
	21	50.7	8.42	61.7	10.20	66.3	11.75	67.6	12.15	68.2	12.54	72.0	12.67	72.8	12.78
	23	50.7	9.03	61.7	10.99	65.1	12.32	66.1	12.71	67.3	13.11	71.5	13.24	72.1	13.37
	25	50.7	9.64	61.7	11.82	64.0	12.89	65.2	13.28	66.4	13.70	71.0	13.83	71.4	13.96
	27	50.7	10.30	61.7	12.69	63.2	13.45	64.2	14.14	65.4	14.27	70.4	14.42	70.7	14.57
	29	50.7	10.99	61.7	13.61	62.2	14.02	63.3	14.90	64.5	14.86	69.9	15.01	70.0	15.16
	31	50.7	11.74	59.6	14.43	61.3	14.61	62.5	15.64	63.6	15.42	69.4	15.60	69.3	15.77
	33	50.7	12.50	58.5	15.00	60.4	15.18	61.4	16.49	62.7	16.01	68.9	16.19	68.6	16.36
	35	50.7	13.33	57.5	15.57	59.5	15.77	60.4	16.51	61.8	16.60	68.3	16.80	67.9	16.97
	37	50.7	14.18	56.7	16.27	58.5	16.36	59.6	16.77	60.9	17.21	67.8	17.41	67.2	17.61
	39	50.7	15.10	55.7	16.91	57.5	16.99	58.7	17.36	60.4	17.80	67.3	18.00	66.5	18.21
	41	50.7	15.89	55.1	17.56	56.9	17.63	57.8	17.95	58.7	18.30	60.6	18.48	65.8	18.71
43	50.7	16.52	54.7	18.21	56.6	18.77	56.8	19.03	58.1	19.23	59.5	19.39	65.1	19.58	
45	50.7	17.14	54.4	19.02	56.0	19.57	55.9	19.95	57.3	20.14	57.9	20.27	64.4	20.70	
48	50.7	19.42	54.0	19.92	55.4	20.41	55.0	20.91	56.5	21.40	56.2	21.90	63.7	22.39	
50	50.7	21.70	52.4	22.20	54.2	22.69	54.0	23.19	55.4	23.68	52.8	24.18	63.0	24.67	
52	50.7	23.98	51.6	24.47	53.5	24.97	53.1	25.47	54.5	25.96	50.3	26.46	62.3	26.95	
54	50.7	26.26	50.7	26.75	52.7	27.25	52.2	27.74	53.6	28.24	47.8	28.74	61.6	29.23	
120%	-5	47.4	6.38	55.0	6.91	64.0	8.00	69.6	8.99	72.9	9.57	74.6	10.40	76.2	10.68
	-2	47.4	6.45	55.0	6.99	64.0	8.09	69.6	9.04	72.9	9.70	74.6	10.49	76.2	10.72
	0	47.4	6.50	55.0	7.05	64.0	8.19	69.6	9.07	72.9	9.79	74.6	10.55	76.2	10.74
	2	47.4	6.52	55.0	7.13	64.0	8.26	69.6	9.17	72.9	9.83	74.6	10.63	76.2	10.76
	4	47.4	6.59	55.0	7.23	64.0	8.39	69.6	9.26	72.9	9.97	74.6	10.65	76.2	10.80
	6	47.4	6.66	55.0	7.29	64.0	8.50	69.6	9.37	72.9	10.09	74.6	10.74	76.2	10.83
	8	47.4	6.72	55.0	7.37	64.0	8.63	69.6	9.50	72.9	10.20	74.6	10.78	76.2	10.88
	10	47.4	6.80	55.0	7.48	64.0	8.72	69.6	9.69	72.9	10.21	74.6	10.81	76.2	10.93
	12	47.4	6.93	55.0	7.63	64.0	8.92	69.6	9.89	71.9	10.25	73.6	10.75	75.2	11.01
	14	47.4	7.06	55.0	7.81	64.0	9.11	69.6	10.11	70.9	10.32	72.7	10.92	74.4	11.14
	16	47.4	7.19	55.0	7.98	64.0	9.31	69.5	10.25	70.1	10.49	71.7	11.11	73.3	11.31
	18	47.4	7.32	55.0	8.16	64.0	9.66	68.1	10.56	69.1	10.77	70.7	11.37	72.5	11.48
	20	47.4	7.47	55.0	8.50	64.0	10.49	67.4	11.13	68.3	11.34	69.9	11.94	71.5	12.05
	21	47.4	7.54	55.0	8.83	64.0	10.90	66.2	11.82	67.6	11.62	69.5	12.22	71.1	12.35
	23	47.4	8.06	55.0	9.53	64.0	11.75	64.8	12.76	66.8	12.19	68.5	12.81	70.1	12.92
	25	47.4	8.61	55.0	10.25	63.0	12.32	64.0	13.31	65.8	12.75	67.6	13.38	69.3	13.51
	27	47.4	9.19	55.0	11.01	62.2	12.86	63.1	14.18	65.0	13.34	66.6	13.96	68.3	14.10
	29	47.4	9.80	55.0	11.82	61.2	13.43	62.0	14.78	64.0	13.91	65.6	14.55	67.4	14.68
	31	47.4	10.46	55.0	12.67	60.2	14.02	61.2	15.51	63.2	14.50	64.8	15.14	66.4	15.29
	33	47.4	11.13	55.0	13.56	59.3	14.58	60.2	16.17	62.1	15.06	63.8	15.73	65.4	15.88
	35	47.4	11.85	55.0	14.52	58.4	15.15	59.1	16.38	61.3	15.65	63.0	16.32	64.6	16.49
	37	47.4	12.61	55.0	15.52	57.5	15.74	58.4	16.48	59.7	16.58	61.9	16.91	63.6	17.10
	39	47.4	13.42	54.8	16.44	56.5	16.31	57.3	16.58	58.7	16.83	61.1	17.52	62.7	17.69
	41	47.4	14.16	54.4	16.56	56.0	16.88	56.8	17.36	57.7	17.42	59.5	18.10	61.0	18.29
43	47.4	14.78	54.1	16.68	55.6	17.35	56.4	17.74	57.2	18.00	58.5	18.69	60.0	18.89	
45	47.4	15.41	53.8	16.85	55.1	17.70	55.8	18.36	56.7	18.59	57.3	19.29	59.6	19.50	
48	47.4	17.67	53.5	18.16	54.6	18.65	55.3	19.14	56.2	19.63	56.2	20.12	58.9	20.62	
50	47.4	19.93	53.2	20.42	53.9	20.91	54.7	21.40	55.3	21.89	54.9	22.39	57.6	22.88	
52	47.4	22.19	52.8	22.68	53.4	23.17	54.1	23.66	54.7	24.15	53.8	24.65	56.6	25.14	
54	47.4	24.45	52.5	24.94	52.8	25.43	53.5	25.92	54.0	26.42	52.6	26.91	55.7	27.40	

Abbreviations:

CR: Combination ratio

TC: Total capacity (kW)

PI: Power input (compressor + outdoor fan motor) (kW)

Notes:

1. Shaded cells indicate rating condition.

Table continued on next page ...

Table 2-8.7: 20HP cooling capacity (continued)

CR	Outdoor air temp. (°CDB)	Indoor air temp. (°C DB/WD)													
		20.8/14		23.3/16		25.8/18		27/19		28.2/20		30.7/22		32/24	
		TC kW	PI kW	TC kW	PI kW	TC kW	PI kW	TC kW	PI kW	TC kW	PI kW	TC kW	PI kW	TC kW	PI kW
110%	-5	43.8	5.58	50.6	6.29	61.2	7.47	63.2	8.40	68.0	9.24	73.2	9.61	74.8	10.25
	-2	43.8	5.68	50.6	6.38	61.2	7.54	63.2	8.49	68.0	9.32	73.2	9.71	74.8	10.30
	0	43.8	5.74	50.6	6.42	61.2	7.60	63.2	8.55	68.0	9.43	73.2	9.81	74.8	10.42
	2	43.8	5.87	50.6	6.49	61.2	7.74	63.2	8.65	68.0	9.53	73.2	9.96	74.8	10.55
	4	43.8	5.98	50.6	6.57	61.2	7.82	63.2	8.76	68.0	9.68	73.2	10.10	74.8	10.65
	6	43.8	6.04	50.6	6.65	61.2	7.90	63.2	8.91	68.0	9.79	73.2	10.21	74.8	10.82
	8	43.8	6.10	50.6	6.77	61.2	8.00	63.2	9.01	68.0	9.91	73.2	10.28	74.8	10.93
	10	43.8	6.17	50.6	6.87	61.2	8.13	63.2	9.17	68.0	10.08	73.2	10.35	74.8	11.02
	12	43.8	6.30	50.6	7.02	61.2	8.30	63.2	9.37	68.0	10.27	72.3	10.51	73.8	11.17
	14	43.8	6.41	50.6	7.16	61.2	8.47	63.2	9.54	68.0	10.47	71.3	10.60	72.9	11.25
	16	43.8	6.52	50.6	7.31	61.2	8.65	63.2	9.74	68.0	10.68	70.5	10.73	71.9	11.37
	18	43.8	6.65	50.6	7.46	61.2	8.84	63.2	10.02	68.0	11.21	69.5	11.30	71.1	11.73
	20	43.8	6.78	50.6	7.63	61.2	9.41	63.2	10.81	67.0	11.78	68.7	11.86	70.1	12.30
	21	43.8	6.85	50.6	7.87	61.2	9.78	63.2	11.65	66.6	12.06	68.1	12.15	69.7	12.58
	23	43.8	7.17	50.6	8.48	61.2	10.55	63.2	12.40	65.6	12.60	67.2	12.73	68.7	13.17
	25	43.8	7.65	50.6	9.12	61.2	11.33	63.2	13.23	64.8	13.17	66.2	13.30	67.8	13.74
	27	43.8	8.16	50.6	9.79	61.2	12.18	62.4	13.88	63.8	13.74	65.4	13.87	66.8	14.33
	29	43.8	8.70	50.6	10.49	61.2	13.07	61.2	14.68	63.0	14.33	64.4	14.46	66.0	14.91
	31	43.8	9.27	50.6	11.23	61.2	14.01	60.1	15.49	61.9	14.89	63.6	15.02	65.0	15.50
	33	43.8	9.86	50.6	12.02	61.2	14.82	59.7	16.09	61.1	15.46	62.5	15.61	64.2	16.09
	35	43.8	10.49	50.6	12.84	57.9	15.39	58.1	16.29	60.1	16.05	61.5	16.20	63.2	16.68
	37	43.8	11.48	50.6	13.72	56.5	15.98	57.5	16.37	59.1	16.62	60.7	16.79	62.1	17.27
	39	43.8	12.46	50.6	14.66	55.5	16.54	56.4	16.96	58.1	17.21	59.7	17.38	61.3	17.88
	41	43.8	13.44	50.6	14.78	54.5	16.66	55.8	17.08	57.1	17.33	57.8	17.58	59.5	18.00
43	43.8	14.42	50.6	14.98	53.4	16.79	55.2	17.20	56.1	17.45	57.3	18.04	58.6	18.37	
45	43.8	15.24	50.6	15.51	52.4	17.13	54.3	17.56	55.2	17.80	55.8	18.44	57.3	18.98	
48	43.8	17.49	50.6	17.97	51.4	18.46	53.5	18.95	54.2	19.44	55.2	19.93	56.1	20.42	
50	43.8	19.73	49.4	20.22	50.4	20.71	52.7	21.20	53.3	21.69	53.9	22.18	54.8	22.67	
52	43.8	21.98	48.3	22.47	49.4	22.96	51.9	23.45	52.3	23.94	52.9	24.42	53.6	24.91	
54	43.8	24.23	47.2	24.72	48.4	25.21	51.1	25.70	51.4	26.18	51.8	26.67	52.4	27.16	
100%	-5	39.3	5.73	46.1	6.24	55.2	6.88	56.0	8.08	60.7	7.89	69.8	8.74	71.9	9.63
	-2	39.3	5.81	46.1	6.32	55.2	7.02	56.0	8.14	60.7	8.00	69.8	8.85	71.9	9.70
	0	39.3	5.87	46.1	6.40	55.2	7.14	56.0	8.26	60.7	8.08	69.8	9.01	71.9	9.81
	2	39.3	5.96	46.1	6.48	55.2	7.30	56.0	8.34	60.7	8.18	69.8	9.15	71.9	9.97
	4	39.3	6.02	46.1	6.59	55.2	7.39	56.0	8.46	60.7	8.29	69.8	9.25	71.9	10.08
	6	39.3	6.14	46.1	6.69	55.2	7.52	56.0	8.64	60.7	8.42	69.8	9.39	71.9	10.24
	8	39.3	6.24	46.1	6.83	55.2	7.66	56.0	8.80	60.7	8.56	69.8	9.55	71.9	10.42
	10	39.3	6.36	46.1	6.95	55.2	7.78	56.0	8.93	60.7	8.73	69.8	9.72	71.9	10.57
	12	39.3	6.49	46.1	7.10	55.2	8.08	56.0	9.11	60.7	8.90	69.8	9.92	70.9	10.65
	14	39.3	6.62	46.1	7.26	55.2	8.45	56.0	9.69	60.7	9.07	69.8	10.13	70.1	10.79
	16	39.3	6.75	46.1	7.43	55.2	8.66	56.0	9.94	60.7	9.27	67.7	10.26	69.1	10.92
	18	39.3	6.88	46.1	7.58	55.2	8.99	56.0	10.33	60.7	9.46	66.9	10.63	68.3	11.20
	20	39.3	7.03	46.1	7.84	55.2	9.74	56.0	11.03	60.7	10.17	65.9	11.17	67.3	11.76
	21	39.3	7.10	46.1	8.16	55.2	10.43	56.0	11.70	60.7	10.54	65.5	11.45	66.9	12.04
	23	39.3	7.59	46.1	8.81	55.2	11.22	56.0	12.51	60.7	11.34	64.7	12.01	65.9	12.60
	25	39.3	8.13	46.1	9.50	55.2	12.11	56.0	13.14	60.7	12.18	63.7	12.57	65.1	13.16
	27	39.3	8.69	46.1	10.21	55.2	12.82	56.0	13.93	60.7	13.06	62.7	13.13	64.1	13.74
	29	39.3	9.30	46.1	10.96	55.2	13.79	56.0	14.34	60.5	13.90	61.9	14.19	63.3	14.30
	31	39.3	9.94	46.1	11.76	55.2	14.74	56.0	14.60	59.7	14.46	60.9	14.70	62.3	14.88
	33	39.3	10.61	46.1	12.60	55.2	15.45	56.0	15.01	58.7	15.02	60.1	15.24	61.5	15.46
	35	39.3	11.30	46.1	13.51	55.2	15.76	56.0	16.00	57.7	16.03	59.1	16.19	60.5	16.35
	37	39.3	12.06	46.1	14.46	55.2	15.88	55.3	16.73	57.1	16.97	58.3	17.18	59.5	17.41
	39	39.3	12.83	46.1	15.45	55.2	16.16	54.6	17.38	56.4	17.67	57.3	18.02	58.7	18.17
	41	39.3	13.31	46.1	16.05	55.2	16.40	53.9	18.00	55.6	18.37	55.2	18.54	57.9	18.74
43	39.3	13.79	46.1	16.36	55.2	16.95	53.7	18.86	54.8	19.16	55.6	19.48	55.8	19.63	
45	39.3	14.43	46.1	16.82	55.2	18.01	53.3	20.05	54.0	21.16	55.1	22.22	54.9	22.65	
48	39.3	16.64	46.1	17.92	55.2	19.20	52.7	21.60	53.2	22.88	53.8	24.16	54.0	25.44	
50	39.3	18.85	46.1	20.13	55.2	21.41	52.2	22.69	52.5	23.97	53.0	25.25	53.2	26.53	
52	39.3	21.06	46.1	22.34	55.2	23.62	51.8	24.90	51.7	26.18	52.2	27.46	52.4	28.74	
54	39.3	23.27	46.1	24.55	55.2	25.83	51.3	27.11	50.9	28.39	51.4	29.67	51.6	30.95	

## Abbreviations:

CR: Combination ratio

TC: Total capacity (kW)

PI: Power input (compressor + outdoor fan motor) (kW)

## Notes:

- Shaded cells indicate rating condition.

Table continued on next page ...



Table 2-8.7: 20HP cooling capacity (continued)

CR	Outdoor air temp. (°CDB)	Indoor air temp. (°C DB/WD)													
		20.8/14		23.3/16		25.8/18		27/19		28.2/20		30.7/22		32/24	
		TC kW	PI kW	TC kW	PI kW	TC kW	PI kW	TC kW	PI kW	TC kW	PI kW	TC kW	PI kW	TC kW	PI kW
90%	-5	34.1	4.58	40.7	4.99	47.4	5.51	50.6	6.46	54.8	6.31	62.4	6.99	67.0	7.71
	-2	34.1	4.65	40.7	5.06	47.4	5.62	50.6	6.51	54.8	6.40	62.4	7.08	67.0	7.76
	0	34.1	4.70	40.7	5.12	47.4	5.71	50.6	6.61	54.8	6.46	62.4	7.21	67.0	7.85
	2	34.1	4.77	40.7	5.18	47.4	5.84	50.6	6.67	54.8	6.54	62.4	7.32	67.0	7.97
	4	34.1	4.81	40.7	5.27	47.4	5.91	50.6	6.77	54.8	6.63	62.4	7.40	67.0	8.06
	6	34.1	4.92	40.7	5.35	47.4	6.02	50.6	6.91	54.8	6.73	62.4	7.51	67.0	8.19
	8	34.1	4.99	40.7	5.46	47.4	6.13	50.6	7.04	54.8	6.85	62.4	7.64	67.0	8.33
	10	34.1	5.09	40.7	5.56	47.4	6.23	50.6	7.15	54.8	6.98	62.4	7.78	67.0	8.46
	12	34.1	5.20	40.7	5.68	47.4	6.46	50.6	7.29	54.8	7.12	62.4	7.93	67.0	8.52
	14	34.1	5.30	40.7	5.80	47.4	6.76	50.6	7.75	54.8	7.26	62.4	8.10	67.0	8.63
	16	34.1	5.40	40.7	5.94	47.4	6.93	50.6	7.95	54.8	7.41	62.4	8.21	67.0	8.73
	18	34.1	5.51	40.7	6.06	47.4	7.19	50.6	8.26	54.8	7.57	62.4	8.50	67.0	8.96
	20	34.1	5.63	40.7	6.27	47.4	7.79	50.6	8.83	54.8	8.14	62.4	8.93	67.0	9.40
	21	34.1	5.68	40.7	6.53	47.4	8.35	50.6	9.36	54.8	8.43	62.4	9.16	67.0	9.63
	23	34.1	6.07	40.7	7.05	47.4	8.98	50.6	10.01	54.8	9.07	62.4	9.61	67.0	10.08
	25	34.1	6.51	40.7	7.60	47.4	9.69	50.6	10.51	54.8	9.74	62.4	10.06	67.0	10.53
	27	34.1	6.95	40.7	8.17	47.4	10.26	50.6	11.14	54.8	10.45	62.4	10.50	67.0	10.99
	29	34.1	7.44	40.7	8.77	47.4	11.03	50.6	11.47	54.8	11.12	62.4	11.35	67.0	11.44
	31	34.1	7.96	40.7	9.41	47.4	11.80	50.6	11.68	54.8	11.57	62.4	11.76	67.0	11.91
	33	34.1	8.49	40.7	10.08	47.4	12.36	50.6	12.01	54.8	12.02	62.4	12.19	67.0	12.37
	35	34.1	9.04	40.7	10.81	47.4	12.61	50.6	12.80	54.8	12.82	62.4	12.95	67.0	13.08
	37	34.1	9.65	40.7	11.57	47.4	12.70	50.6	13.37	54.8	13.57	62.4	13.74	67.0	13.93
	39	34.1	10.27	40.7	12.36	47.4	12.93	50.6	13.59	54.8	14.14	62.4	14.42	67.0	14.54
	41	34.1	10.65	40.7	12.84	47.4	13.12	50.6	13.84	54.8	14.70	62.4	14.84	67.0	14.99
43	34.1	11.03	40.7	13.09	47.4	13.56	50.6	14.11	54.8	15.32	62.4	15.59	67.0	15.71	
45	34.1	11.55	40.7	13.46	47.4	14.41	50.6	14.36	54.8	15.65	62.4	16.24	67.0	16.58	
48	34.1	13.31	40.7	13.95	47.4	14.59	50.6	15.23	54.8	15.87	62.4	16.51	67.0	17.15	
50	34.1	15.08	40.7	15.72	47.4	16.36	50.6	17.00	54.8	17.64	62.4	18.28	67.0	18.92	
52	34.1	16.85	40.7	17.49	47.4	18.13	50.6	18.77	54.8	19.41	62.4	20.05	67.0	20.69	
54	34.1	18.61	40.7	19.25	47.4	19.89	50.6	20.53	54.8	21.17	62.4	21.81	67.0	22.45	
80%	-5	30.4	3.51	36.2	3.62	42.1	4.21	45.1	3.93	49.0	5.23	55.7	6.01	59.8	6.89
	-2	30.4	3.56	36.2	3.66	42.1	4.27	45.1	3.94	49.0	5.29	55.7	6.07	59.8	6.95
	0	30.4	3.59	36.2	3.71	42.1	4.34	45.1	4.03	49.0	5.36	55.7	6.14	59.8	7.01
	2	30.4	3.65	36.2	3.76	42.1	4.39	45.1	4.20	49.0	5.45	55.7	6.27	59.8	7.11
	4	30.4	3.68	36.2	3.82	42.1	4.47	45.1	4.21	49.0	5.51	55.7	6.37	59.8	7.22
	6	30.4	3.76	36.2	3.90	42.1	4.55	45.1	4.33	49.0	5.61	55.7	6.47	59.8	7.34
	8	30.4	3.82	36.2	3.98	42.1	4.65	45.1	4.49	49.0	5.71	55.7	6.59	59.8	7.41
	10	30.4	3.90	36.2	4.07	42.1	4.74	45.1	4.54	49.0	5.84	55.7	6.67	59.8	7.52
	12	30.4	3.98	36.2	4.15	42.1	4.84	45.1	4.66	49.0	5.95	55.7	6.80	59.8	7.66
	14	30.4	4.06	36.2	4.22	42.1	4.93	45.1	4.75	49.0	6.06	55.7	6.92	59.8	7.80
	16	30.4	4.13	36.2	4.30	42.1	5.04	45.1	4.87	49.0	6.18	55.7	7.06	59.8	7.94
	18	30.4	4.21	36.2	4.39	42.1	5.13	45.1	5.04	49.0	6.30	55.7	7.20	59.8	8.19
	20	30.4	4.31	36.2	4.50	42.1	5.24	45.1	5.48	49.0	6.54	55.7	7.74	59.8	8.57
	21	30.4	4.35	36.2	4.53	42.1	5.33	45.1	5.89	49.0	6.77	55.7	8.02	59.8	8.78
	23	30.4	4.65	36.2	4.72	42.1	5.73	45.1	6.39	49.0	7.26	55.7	8.61	59.8	9.18
	25	30.4	4.98	36.2	5.06	42.1	6.15	45.1	6.87	49.0	7.76	55.7	9.21	59.8	9.58
	27	30.4	5.32	36.2	5.40	42.1	6.58	45.1	7.53	49.0	8.30	55.7	9.86	59.8	9.98
	29	30.4	5.69	36.2	5.77	42.1	7.04	45.1	7.85	49.0	8.87	55.7	10.31	59.8	10.38
	31	30.4	6.09	36.2	6.15	42.1	7.52	45.1	8.39	49.0	9.46	55.7	10.71	59.8	10.80
	33	30.4	6.50	36.2	6.56	42.1	8.05	45.1	8.94	49.0	10.09	55.7	11.12	59.8	11.20
	35	30.4	6.92	36.2	6.99	42.1	8.59	45.1	9.80	49.0	10.75	55.7	11.53	59.8	11.62
	37	30.4	7.38	36.2	7.44	42.1	9.16	45.1	10.24	49.0	11.46	55.7	11.93	59.8	12.02
	39	30.4	7.86	36.2	7.93	42.1	9.76	45.1	10.64	49.0	12.23	55.7	12.34	59.8	12.44
	41	30.4	8.15	36.2	8.30	42.1	10.13	45.1	11.02	49.0	12.28	55.7	12.66	59.8	12.73
43	30.4	8.44	36.2	8.67	42.1	10.50	45.1	11.54	49.0	12.54	55.7	12.82	59.8	12.93	
45	30.4	8.84	36.2	9.11	42.1	10.94	45.1	12.28	49.0	12.89	55.7	12.96	59.8	13.10	
48	30.4	10.19	36.2	10.97	42.1	11.76	45.1	12.54	49.0	13.32	55.7	14.11	59.8	14.89	
50	30.4	11.54	36.2	12.32	42.1	13.11	45.1	13.89	49.0	14.67	55.7	15.46	59.8	16.24	
52	30.4	12.89	36.2	13.68	42.1	14.46	45.1	15.24	49.0	16.03	55.7	16.81	59.8	17.59	
54	30.4	14.24	36.2	15.03	42.1	15.81	45.1	16.59	49.0	17.38	55.7	18.16	59.8	18.94	

Abbreviations:

CR: Combination ratio

TC: Total capacity (kW)

PI: Power input (compressor + outdoor fan motor) (kW)

Notes:

1. Shaded cells indicate rating condition.

Table continued on next page ...

Table 2-8.7: 20HP cooling capacity (continued)

CR	Outdoor air temp. (°CDB)	Indoor air temp. (°C DB/WD)													
		20.8/14		23.3/16		25.8/18		27/19		28.2/20		30.7/22		32/24	
		TC kW	PI kW	TC kW	PI kW	TC kW	PI kW	TC kW	PI kW	TC kW	PI kW	TC kW	PI kW	TC kW	PI kW
70%	-5	26.6	2.84	31.9	2.94	36.9	3.42	39.5	3.94	42.9	4.24	48.8	4.88	52.4	5.58
	-2	26.6	2.88	31.9	2.97	36.9	3.46	39.5	3.96	42.9	4.29	48.8	4.92	52.4	5.64
	0	26.6	2.91	31.9	3.01	36.9	3.52	39.5	3.98	42.9	4.35	48.8	4.98	52.4	5.68
	2	26.6	2.96	31.9	3.05	36.9	3.56	39.5	4.09	42.9	4.42	48.8	5.08	52.4	5.77
	4	26.6	2.99	31.9	3.10	36.9	3.62	39.5	4.15	42.9	4.47	48.8	5.16	52.4	5.85
	6	26.6	3.05	31.9	3.16	36.9	3.69	39.5	4.23	42.9	4.55	48.8	5.24	52.4	5.95
	8	26.6	3.10	31.9	3.22	36.9	3.77	39.5	4.31	42.9	4.63	48.8	5.34	52.4	6.00
	10	26.6	3.16	31.9	3.30	36.9	3.85	39.5	4.38	42.9	4.74	48.8	5.41	52.4	6.10
	12	26.6	3.22	31.9	3.36	36.9	3.92	39.5	4.46	42.9	4.82	48.8	5.51	52.4	6.21
	14	26.6	3.29	31.9	3.42	36.9	4.00	39.5	4.61	42.9	4.91	48.8	5.61	52.4	6.33
	16	26.6	3.35	31.9	3.49	36.9	4.08	39.5	4.62	42.9	5.01	48.8	5.72	52.4	6.44
	18	26.6	3.42	31.9	3.56	36.9	4.16	39.5	4.64	42.9	5.11	48.8	5.84	52.4	6.64
	20	26.6	3.49	31.9	3.65	36.9	4.25	39.5	4.94	42.9	5.30	48.8	6.28	52.4	6.95
	21	26.6	3.52	31.9	3.67	36.9	4.32	39.5	5.29	42.9	5.49	48.8	6.50	52.4	7.12
	23	26.6	3.77	31.9	3.83	36.9	4.65	39.5	5.58	42.9	5.89	48.8	6.98	52.4	7.44
	25	26.6	4.04	31.9	4.10	36.9	4.99	39.5	5.99	42.9	6.29	48.8	7.47	52.4	7.77
	27	26.6	4.32	31.9	4.38	36.9	5.34	39.5	6.42	42.9	6.73	48.8	7.99	52.4	8.09
	29	26.6	4.62	31.9	4.68	36.9	5.71	39.5	6.72	42.9	7.19	48.8	8.36	52.4	8.42
	31	26.6	4.94	31.9	4.99	36.9	6.10	39.5	7.16	42.9	7.67	48.8	8.68	52.4	8.76
	33	26.6	5.27	31.9	5.32	36.9	6.53	39.5	7.59	42.9	8.18	48.8	9.02	52.4	9.08
	35	26.6	5.61	31.9	5.67	36.9	6.96	39.5	7.94	42.9	8.72	48.8	9.35	52.4	9.42
	37	26.6	5.99	31.9	6.03	36.9	7.43	39.5	8.30	42.9	9.29	48.8	9.67	52.4	9.75
	39	26.6	6.37	31.9	6.43	36.9	7.92	39.5	8.63	42.9	9.91	48.8	10.01	52.4	10.08
	41	26.6	6.61	31.9	6.73	36.9	8.21	39.5	8.94	42.9	9.96	48.8	10.26	52.4	10.32
43	26.6	6.85	31.9	7.03	36.9	8.51	39.5	9.36	42.9	10.17	48.8	10.40	52.4	10.48	
45	26.6	7.16	31.9	7.38	36.9	8.87	39.5	9.95	42.9	10.45	48.8	11.30	52.4	11.78	
48	26.6	8.26	31.9	9.06	36.9	9.85	39.5	10.64	42.9	11.44	48.8	12.23	52.4	13.03	
50	26.6	9.36	31.9	10.15	36.9	10.95	39.5	11.74	42.9	12.53	48.8	13.33	52.4	14.12	
52	26.6	10.45	31.9	11.25	36.9	12.04	39.5	12.84	42.9	13.63	48.8	14.42	52.4	15.22	
54	26.6	11.55	31.9	12.34	36.9	13.14	39.5	13.93	42.9	14.73	48.8	15.52	52.4	16.31	
60%	-5	22.7	2.29	27.1	2.50	31.6	2.75	33.8	3.52	36.7	3.84	41.8	4.27	44.8	4.90
	-2	22.7	2.32	27.1	2.53	31.6	2.79	33.8	3.57	36.7	3.91	41.8	4.33	44.8	4.93
	0	22.7	2.35	27.1	2.56	31.6	2.84	33.8	3.62	36.7	3.96	41.8	4.40	44.8	4.99
	2	22.7	2.38	27.1	2.59	31.6	2.87	33.8	3.69	36.7	4.02	41.8	4.49	44.8	5.06
	4	22.7	2.41	27.1	2.64	31.6	2.92	33.8	3.73	36.7	4.10	41.8	4.56	44.8	5.13
	6	22.7	2.46	27.1	2.68	31.6	2.98	33.8	3.82	36.7	4.18	41.8	4.65	44.8	5.25
	8	22.7	2.50	27.1	2.73	31.6	3.04	33.8	3.89	36.7	4.26	41.8	4.74	44.8	5.33
	10	22.7	2.55	27.1	2.78	31.6	3.10	33.8	4.00	36.7	4.33	41.8	4.83	44.8	5.32
	12	22.7	2.60	27.1	2.84	31.6	3.16	33.8	4.07	36.7	4.42	41.8	4.92	44.8	5.41
	14	22.7	2.65	27.1	2.90	31.6	3.22	33.8	4.14	36.7	4.49	41.8	5.01	44.8	5.50
	16	22.7	2.70	27.1	2.97	31.6	3.29	33.8	4.21	36.7	4.58	41.8	5.09	44.8	5.61
	18	22.7	2.75	27.1	3.03	31.6	3.35	33.8	4.28	36.7	4.67	41.8	5.18	44.8	5.71
	20	22.7	2.81	27.1	3.14	31.6	3.42	33.8	4.37	36.7	4.71	41.8	5.29	44.8	5.82
	21	22.7	2.84	27.1	3.27	31.6	3.48	33.8	4.68	36.7	4.79	41.8	5.34	44.8	5.94
	23	22.7	3.04	27.1	3.52	31.6	3.75	33.8	5.00	36.7	5.09	41.8	5.55	44.8	6.00
	25	22.7	3.25	27.1	3.80	31.6	4.02	33.8	5.28	36.7	5.43	41.8	5.93	44.8	6.39
	27	22.7	3.48	27.1	4.09	31.6	4.30	33.8	5.54	36.7	5.78	41.8	6.31	44.8	6.81
	29	22.7	3.72	27.1	4.39	31.6	4.61	33.8	5.77	36.7	6.16	41.8	6.74	44.8	7.27
	31	22.7	3.98	27.1	4.71	31.6	4.92	33.8	6.09	36.7	6.54	41.8	7.16	44.8	7.77
	33	22.7	4.25	27.1	5.04	31.6	5.26	33.8	6.35	36.7	6.95	41.8	7.62	44.8	8.26
	35	22.7	4.52	27.1	5.41	31.6	5.61	33.8	6.40	36.7	7.38	41.8	8.12	44.8	8.81
	37	22.7	4.83	27.1	5.79	31.6	5.99	33.8	6.69	36.7	7.84	41.8	8.63	44.8	9.37
	39	22.7	5.14	27.1	6.18	31.6	6.38	33.8	6.95	36.7	8.12	41.8	9.16	44.8	9.98
	41	22.7	5.33	27.1	6.42	31.6	6.62	33.8	7.20	36.7	8.41	41.8	9.59	44.8	10.61
43	22.7	5.52	27.1	6.55	31.6	6.86	33.8	7.55	36.7	8.82	41.8	10.00	44.8	11.09	
45	22.7	5.97	27.1	7.37	31.6	7.79	33.8	8.22	36.7	9.54	41.8	10.45	44.8	11.57	
48	22.7	6.85	27.1	7.68	31.6	8.52	33.8	9.35	36.7	10.18	41.8	11.01	44.8	11.85	
50	22.7	7.74	27.1	8.57	31.6	9.40	33.8	10.23	36.7	11.07	41.8	11.90	44.8	12.73	
52	22.7	8.62	27.1	9.45	31.6	10.28	33.8	11.12	36.7	11.95	41.8	12.78	44.8	13.61	
54	22.7	9.50	27.1	10.34	31.6	11.17	33.8	12.00	36.7	12.83	41.8	13.67	44.8	14.50	

**Abbreviations:**

CR: Combination ratio

TC: Total capacity (kW)

PI: Power input (compressor + outdoor fan motor) (kW)

**Notes:**

1. Shaded cells indicate rating condition.

Table continued on next page ...



Table 2-8.7: 20HP cooling capacity (continued)

CR	Outdoor air temp. (°CDB)	Indoor air temp. (°C DB/WD)													
		20.8/14		23.3/16		25.8/18		27/19		28.2/20		30.7/22		32/24	
		TC kW	PI kW	TC kW	PI kW	TC kW	PI kW	TC kW	PI kW	TC kW	PI kW	TC kW	PI kW	TC kW	PI kW
50%	-5	19.1	1.90	22.8	2.07	26.5	2.28	28.3	3.13	30.7	3.25	34.9	3.69	37.6	3.98
	-2	19.1	1.92	22.8	2.09	26.5	2.31	28.3	3.20	30.7	3.30	34.9	3.74	37.6	4.03
	0	19.1	1.95	22.8	2.12	26.5	2.35	28.3	3.22	30.7	3.34	34.9	3.80	37.6	4.10
	2	19.1	1.97	22.8	2.15	26.5	2.38	28.3	3.23	30.7	3.40	34.9	3.82	37.6	4.18
	4	19.1	1.99	22.8	2.18	26.5	2.42	28.3	3.24	30.7	3.47	34.9	3.91	37.6	4.28
	6	19.1	2.04	22.8	2.22	26.5	2.47	28.3	3.26	30.7	3.53	34.9	3.97	37.6	4.41
	8	19.1	2.07	22.8	2.26	26.5	2.52	28.3	3.28	30.7	3.58	34.9	4.04	37.6	4.55
	10	19.1	2.11	22.8	2.30	26.5	2.57	28.3	3.25	30.7	3.68	34.9	4.14	37.6	4.62
	12	19.1	2.15	22.8	2.35	26.5	2.62	28.3	3.27	30.7	3.76	34.9	4.22	37.6	4.69
	14	19.1	2.20	22.8	2.40	26.5	2.67	28.3	3.28	30.7	3.81	34.9	4.29	37.6	4.79
	16	19.1	2.24	22.8	2.46	26.5	2.73	28.3	3.29	30.7	3.87	34.9	4.36	37.6	4.86
	18	19.1	2.28	22.8	2.51	26.5	2.78	28.3	3.30	30.7	3.94	34.9	4.44	37.6	4.95
	20	19.1	2.33	22.8	2.60	26.5	2.84	28.3	3.46	30.7	4.01	34.9	4.51	37.6	5.04
	21	19.1	2.35	22.8	2.70	26.5	2.89	28.3	3.63	30.7	4.05	34.9	4.57	37.6	5.10
	23	19.1	2.52	22.8	2.92	26.5	3.10	28.3	3.88	30.7	4.12	34.9	4.64	37.6	5.21
	25	19.1	2.70	22.8	3.15	26.5	3.33	28.3	4.13	30.7	4.25	34.9	4.88	37.6	5.56
	27	19.1	2.88	22.8	3.38	26.5	3.56	28.3	4.45	30.7	4.51	34.9	5.19	37.6	5.93
	29	19.1	3.08	22.8	3.63	26.5	3.81	28.3	4.58	30.7	4.81	34.9	5.52	37.6	6.32
	31	19.1	3.30	22.8	3.90	26.5	4.07	28.3	4.89	30.7	5.10	34.9	5.87	37.6	6.72
	33	19.1	3.52	22.8	4.18	26.5	4.36	28.3	5.15	30.7	5.41	34.9	6.24	37.6	7.14
35	19.1	3.75	22.8	4.48	26.5	4.65	28.3	5.30	30.7	5.73	34.9	6.63	37.6	7.59	
37	19.1	4.00	22.8	4.79	26.5	4.96	28.3	5.54	30.7	6.08	34.9	7.03	37.6	8.06	
39	19.1	4.25	22.8	5.12	26.5	5.29	28.3	5.76	30.7	6.44	34.9	7.46	37.6	8.56	
41	19.1	4.41	22.8	5.32	26.5	5.48	28.3	5.97	30.7	6.72	34.9	7.85	37.6	8.96	
43	19.1	4.57	22.8	5.42	26.5	5.68	28.3	6.35	30.7	6.89	34.9	8.25	37.6	9.36	
45	19.1	4.78	22.8	6.10	26.5	6.50	28.3	7.02	30.7	7.70	34.9	9.05	37.6	9.75	
48	19.1	5.62	22.8	6.42	26.5	7.21	28.3	8.01	30.7	8.80	34.9	9.60	37.6	10.39	
50	19.1	6.46	22.8	7.25	26.5	8.05	28.3	8.84	30.7	9.64	34.9	10.44	37.6	11.23	
52	19.1	7.30	22.8	8.09	26.5	8.89	28.3	9.68	30.7	10.48	34.9	11.27	37.6	12.07	
54	19.1	8.13	22.8	8.93	26.5	9.73	28.3	10.52	30.7	11.32	34.9	12.11	37.6	12.91	

Abbreviations:

CR: Combination ratio

TC: Total capacity (kW)

PI: Power input (compressor + outdoor fan motor) (kW)

Notes:

1. Shaded cells indicate rating condition.

Table 2-8.8: 22HP cooling capacity

CR	Outdoor air temp. (°CDB)	Indoor air temp. (°C DB/WD)													
		20.8/14		23.3/16		25.8/18		27/19		28.2/20		30.7/22		32/24	
		TC kW	PI kW	TC kW	PI kW	TC kW	PI kW	TC kW	PI kW	TC kW	PI kW	TC kW	PI kW	TC kW	PI kW
130%	-5	55.7	8.34	67.7	9.34	76.4	10.07	78.6	10.93	84.0	11.67	86.4	12.69	87.0	12.77
	-2	55.7	8.34	67.7	9.54	76.4	10.07	79.3	11.00	84.0	11.67	86.4	12.85	87.0	12.90
	0	55.7	8.48	67.7	9.72	76.4	10.47	79.3	11.63	84.0	12.35	86.4	13.01	87.0	13.07
	2	55.7	8.63	67.7	9.74	76.4	10.86	79.3	12.31	84.0	12.49	86.4	13.11	87.0	13.27
	4	55.7	8.82	67.7	9.95	76.4	11.26	79.3	12.36	84.0	12.65	86.4	13.10	87.0	13.52
	6	55.7	8.99	67.7	10.16	76.4	11.71	79.3	12.47	82.6	13.05	83.8	13.10	87.0	13.62
	8	55.7	9.21	67.7	10.41	76.4	12.34	79.3	13.10	81.8	13.47	82.9	13.16	86.1	13.75
	10	55.7	9.40	67.7	10.66	76.4	12.83	79.3	13.55	81.0	13.57	82.7	13.57	85.0	14.15
	12	55.7	9.57	67.7	10.88	76.4	13.10	78.4	13.71	79.9	13.93	82.0	13.81	84.1	14.24
	14	55.7	9.76	67.7	11.10	75.9	13.16	77.8	13.78	78.9	14.05	81.4	14.05	83.0	14.56
	16	55.7	9.92	67.7	11.34	75.0	13.53	76.4	14.05	77.9	14.34	80.8	14.37	82.3	14.79
	18	55.7	10.11	67.7	11.59	73.9	13.73	75.2	14.23	76.9	14.73	80.3	14.87	81.5	15.01
	20	55.7	10.33	67.7	12.39	73.1	14.45	74.0	14.95	75.9	15.45	79.7	15.58	80.7	15.75
	21	55.7	10.61	67.7	12.86	72.8	14.81	74.3	15.31	74.9	15.81	79.1	15.97	80.0	16.11
	23	55.7	11.38	67.7	13.85	71.4	15.52	72.6	16.02	73.9	16.52	78.5	16.68	79.2	16.85
	25	55.7	12.15	67.7	14.89	70.3	16.24	71.6	16.74	72.9	17.26	77.9	17.43	78.4	17.59
	27	55.7	12.97	67.7	15.99	69.4	16.95	70.5	17.82	71.9	17.98	77.4	18.17	77.6	18.36
	29	55.7	13.85	67.7	17.14	68.3	17.67	69.5	18.77	70.9	18.72	76.8	18.91	76.9	19.10
	31	55.7	14.79	65.4	18.19	67.3	18.41	68.6	19.70	69.9	19.43	76.2	19.65	76.1	19.87
	33	55.7	15.75	64.3	18.90	66.3	19.12	67.5	20.78	68.9	20.17	75.6	20.40	75.3	20.62
	35	55.7	16.79	63.2	19.62	65.3	19.86	66.3	20.81	67.9	20.92	75.1	21.17	74.6	21.38
	37	55.7	17.87	62.3	20.50	64.3	20.61	65.5	21.13	66.9	21.69	74.5	21.93	73.8	22.18
	39	55.7	19.02	61.1	21.31	63.2	21.41	64.5	21.87	66.3	22.43	73.9	22.68	73.0	22.95
	41	55.7	20.02	60.5	22.12	62.5	22.22	63.5	22.62	64.5	23.05	73.5	23.29	72.3	23.57
43	55.7	20.81	60.1	22.94	62.2	23.65	62.4	23.98	63.9	24.23	73.5	24.44	71.5	24.67	
45	55.7	21.60	59.7	23.96	61.5	24.66	61.4	25.14	62.9	25.38	73.5	25.54	70.7	26.08	
48	55.7	24.47	59.3	25.10	60.8	25.72	60.4	26.34	62.0	26.97	73.5	27.59	70.0	28.22	
50	55.7	27.34	57.5	27.97	59.6	28.59	59.3	29.22	60.9	29.84	73.5	30.46	69.2	31.09	
52	55.7	30.21	56.6	30.84	58.7	31.46	58.3	32.09	59.9	32.71	73.5	33.34	68.4	33.96	
54	55.7	33.09	55.7	33.71	57.9	34.33	57.3	34.96	58.9	35.58	73.5	36.21	67.6	36.83	
120%	-5	52.1	8.04	60.4	8.71	70.3	10.07	76.5	11.32	80.1	12.06	81.9	13.10	83.7	13.46
	-2	52.1	8.12	60.4	8.81	70.3	10.19	76.5	11.40	80.1	12.22	81.9	13.21	83.7	13.51
	0	52.1	8.20	60.4	8.88	70.3	10.32	76.5	11.43	80.1	12.33	81.9	13.29	83.7	13.54
	2	52.1	8.22	60.4	8.98	70.3	10.40	76.5	11.55	80.1	12.39	81.9	13.40	83.7	13.56
	4	52.1	8.30	60.4	9.11	70.3	10.57	76.5	11.66	80.1	12.57	81.9	13.42	83.7	13.60
	6	52.1	8.39	60.4	9.19	70.3	10.71	76.5	11.81	80.1	12.71	81.9	13.54	83.7	13.65
	8	52.1	8.46	60.4	9.29	70.3	10.88	76.5	11.97	80.1	12.85	81.9	13.58	83.7	13.71
	10	52.1	8.57	60.4	9.43	70.3	10.99	76.5	12.21	80.1	12.86	81.9	13.62	83.7	13.78
	12	52.1	8.73	60.4	9.62	70.3	11.24	76.5	12.46	79.0	12.92	80.8	13.55	82.6	13.87
	14	52.1	8.90	60.4	9.84	70.3	11.48	76.5	12.74	77.9	13.01	79.9	13.76	81.7	14.04
	16	52.1	9.06	60.4	10.06	70.3	11.73	76.3	12.92	77.0	13.21	78.8	14.00	80.6	14.26
	18	52.1	9.22	60.4	10.28	70.3	12.17	74.8	13.31	75.9	13.57	77.6	14.33	79.7	14.47
	20	52.1	9.42	60.4	10.72	70.3	13.21	74.0	14.03	75.0	14.29	76.7	15.04	78.5	15.18
	21	52.1	9.50	60.4	11.13	70.3	13.74	72.7	14.89	74.3	14.64	76.3	15.40	78.1	15.56
	23	52.1	10.16	60.4	12.01	70.3	14.81	71.2	16.08	73.4	15.36	75.2	16.14	77.0	16.28
	25	52.1	10.84	60.4	12.91	69.2	15.52	70.3	16.77	72.3	16.07	74.3	16.85	76.1	17.02
	27	52.1	11.59	60.4	13.87	68.3	16.21	69.2	17.87	71.4	16.81	73.2	17.59	75.0	17.76
	29	52.1	12.35	60.4	14.89	67.2	16.92	68.1	18.62	70.3	17.52	72.0	18.34	74.1	18.50
	31	52.1	13.18	60.4	15.96	66.1	17.66	67.2	19.54	69.4	18.27	71.2	19.08	72.9	19.27
	33	52.1	14.03	60.4	17.09	65.1	18.38	66.1	20.37	68.2	18.98	70.0	19.82	71.8	20.01
	35	52.1	14.93	60.4	18.29	64.1	19.09	64.9	20.64	67.3	19.72	69.1	20.56	70.9	20.78
	37	52.1	15.89	60.4	19.56	63.1	19.83	64.1	20.76	65.6	20.89	68.0	21.30	69.8	21.55
	39	52.1	16.91	60.2	20.71	62.0	20.54	63.0	20.89	64.5	21.20	67.1	22.07	68.9	22.29
	41	52.1	17.84	59.7	20.86	61.5	21.27	62.4	21.87	63.3	21.94	65.3	22.81	67.0	23.05
43	52.1	18.63	59.4	21.02	61.0	21.87	61.9	22.36	62.8	22.69	64.2	23.55	65.9	23.81	
45	52.1	19.41	59.1	21.23	60.5	22.30	61.3	23.14	62.3	23.43	62.9	24.30	65.5	24.56	
48	52.1	22.26	58.7	22.88	59.9	23.50	60.7	24.12	61.8	24.74	61.7	25.36	64.7	25.98	
50	52.1	25.11	58.4	25.73	59.2	26.35	60.0	26.97	60.8	27.59	60.3	28.21	63.3	28.82	
52	52.1	27.96	58.0	28.58	58.6	29.20	59.4	29.82	60.0	30.44	59.1	31.05	62.2	31.67	
54	52.1	30.81	57.7	31.43	58.0	32.05	58.7	32.66	59.3	33.28	57.8	33.90	61.1	34.52	

**Abbreviations:**

CR: Combination ratio

TC: Total capacity (kW)

PI: Power input (compressor + outdoor fan motor) (kW)

**Notes:**

- Shaded cells indicate rating condition.

Table continued on next page ...

Table 2-8.8: 22HP cooling capacity (continued)

CR	Outdoor air temp. (°CDB)	Indoor air temp. (°C DB/WD)													
		20.8/14		23.3/16		25.8/18		27/19		28.2/20		30.7/22		32/24	
		TC	PI	TC	PI	TC	PI	TC	PI	TC	PI	TC	PI	TC	PI
		kW	kW	kW	kW	kW	kW	kW	kW	kW	kW	kW	kW	kW	kW
110%	-5	48.1	7.03	55.5	7.93	67.2	9.41	69.4	10.59	74.7	11.65	80.3	12.11	82.1	12.91
	-2	48.1	7.16	55.5	8.04	67.2	9.50	69.4	10.70	74.7	11.74	80.3	12.24	82.1	12.98
	0	48.1	7.23	55.5	8.09	67.2	9.58	69.4	10.77	74.7	11.88	80.3	12.36	82.1	13.13
	2	48.1	7.39	55.5	8.18	67.2	9.75	69.4	10.90	74.7	12.01	80.3	12.54	82.1	13.30
	4	48.1	7.54	55.5	8.28	67.2	9.85	69.4	11.04	74.7	12.20	80.3	12.72	82.1	13.42
	6	48.1	7.61	55.5	8.38	67.2	9.96	69.4	11.23	74.7	12.34	80.3	12.86	82.1	13.63
	8	48.1	7.68	55.5	8.53	67.2	10.08	69.4	11.35	74.7	12.48	80.3	12.95	82.1	13.77
	10	48.1	7.77	55.5	8.66	67.2	10.24	69.4	11.55	74.7	12.70	80.3	13.05	82.1	13.89
	12	48.1	7.94	55.5	8.85	67.2	10.46	69.4	11.80	74.7	12.94	79.4	13.24	81.0	14.07
	14	48.1	8.08	55.5	9.02	67.2	10.68	69.4	12.02	74.7	13.19	78.3	13.35	80.1	14.17
	16	48.1	8.22	55.5	9.21	67.2	10.90	69.4	12.27	74.7	13.46	77.4	13.52	79.0	14.32
	18	48.1	8.38	55.5	9.40	67.2	11.14	69.4	12.63	74.7	14.12	76.3	14.23	78.1	14.78
	20	48.1	8.54	55.5	9.62	67.2	11.86	69.4	13.61	73.6	14.84	75.4	14.95	77.0	15.49
	21	48.1	8.63	55.5	9.92	67.2	12.33	69.4	14.68	73.2	15.20	74.7	15.30	76.5	15.85
	23	48.1	9.04	55.5	10.69	67.2	13.29	69.4	15.63	72.1	15.88	73.8	16.04	75.4	16.59
	25	48.1	9.64	55.5	11.49	67.2	14.28	69.4	16.67	71.2	16.59	72.7	16.76	74.5	17.31
	27	48.1	10.28	55.5	12.34	67.2	15.35	68.5	17.48	70.0	17.31	71.8	17.48	73.4	18.05
	29	48.1	10.96	55.5	13.22	67.2	16.47	67.2	18.50	69.1	18.05	70.7	18.22	72.5	18.79
	31	48.1	11.68	55.5	14.15	67.2	17.66	66.0	19.52	68.0	18.77	69.8	18.93	71.4	19.53
	33	48.1	12.42	55.5	15.14	67.2	18.67	65.6	20.27	67.1	19.48	68.7	19.67	70.5	20.28
	35	48.1	13.21	55.5	16.18	63.6	19.39	63.8	20.52	66.0	20.22	67.6	20.41	69.4	21.02
	37	48.1	14.47	55.5	17.28	62.0	20.13	63.1	20.62	64.9	20.94	66.7	21.16	68.2	21.76
	39	48.1	15.70	55.5	18.47	60.9	20.84	61.9	21.36	63.8	21.68	65.6	21.90	67.3	22.53
	41	48.1	16.94	55.5	18.62	59.8	21.00	61.3	21.52	62.7	21.83	63.5	22.15	65.4	22.68
43	48.1	18.17	55.5	18.87	58.7	21.15	60.7	21.67	61.7	21.99	63.0	22.73	64.4	23.14	
45	48.1	19.20	55.5	19.54	57.6	21.58	59.6	22.12	60.6	22.43	61.3	23.23	62.9	23.91	
48	48.1	22.03	55.5	22.65	56.5	23.26	58.8	23.88	59.6	24.50	60.6	25.11	61.6	25.73	
50	48.1	24.86	54.3	25.48	55.3	26.10	57.9	26.71	58.5	27.33	59.2	27.94	60.2	28.56	
52	48.1	27.70	53.0	28.31	54.2	28.93	57.0	29.54	57.4	30.16	58.0	30.78	58.9	31.39	
54	48.1	30.53	51.8	31.14	53.1	31.76	56.1	32.38	56.4	32.99	56.9	33.61	57.5	34.22	
100%	-5	43.1	7.22	50.7	7.86	60.6	8.67	61.5	10.18	66.7	9.94	76.7	11.01	79.0	12.14
	-2	43.1	7.32	50.7	7.96	60.6	8.85	61.5	10.26	66.7	10.08	76.7	11.15	79.0	12.22
	0	43.1	7.40	50.7	8.06	60.6	8.99	61.5	10.41	66.7	10.18	76.7	11.35	79.0	12.36
	2	43.1	7.51	50.7	8.16	60.6	9.20	61.5	10.51	66.7	10.30	76.7	11.53	79.0	12.56
	4	43.1	7.58	50.7	8.31	60.6	9.32	61.5	10.66	66.7	10.44	76.7	11.65	79.0	12.70
	6	43.1	7.74	50.7	8.43	60.6	9.48	61.5	10.89	66.7	10.60	76.7	11.83	79.0	12.90
	8	43.1	7.86	50.7	8.60	60.6	9.65	61.5	11.09	66.7	10.79	76.7	12.04	79.0	13.12
	10	43.1	8.02	50.7	8.76	60.6	9.81	61.5	11.26	66.7	11.00	76.7	12.25	79.0	13.32
	12	43.1	8.18	50.7	8.95	60.6	10.18	61.5	11.48	66.7	11.22	76.7	12.50	77.9	13.42
	14	43.1	8.35	50.7	9.14	60.6	10.65	61.5	12.21	66.7	11.43	76.7	12.77	77.0	13.59
	16	43.1	8.51	50.7	9.36	60.6	10.91	61.5	12.52	66.7	11.68	74.4	12.93	75.9	13.75
	18	43.1	8.67	50.7	9.55	60.6	11.33	61.5	13.01	66.7	11.92	73.5	13.39	75.0	14.11
	20	43.1	8.86	50.7	9.88	60.6	12.27	61.5	13.90	66.7	12.82	72.4	14.07	73.9	14.81
	21	43.1	8.94	50.7	10.28	60.6	13.15	61.5	14.75	66.7	13.28	72.0	14.42	73.5	15.16
	23	43.1	9.57	50.7	11.10	60.6	14.14	61.5	15.76	66.7	14.28	71.1	15.13	72.4	15.87
	25	43.1	10.25	50.7	11.97	60.6	15.26	61.5	16.55	66.7	15.34	70.0	15.84	71.5	16.58
	27	43.1	10.95	50.7	12.86	60.6	16.16	61.5	17.55	66.7	16.46	68.9	16.54	70.4	17.31
	29	43.1	11.71	50.7	13.82	60.6	17.37	61.5	18.07	66.5	17.52	68.0	17.88	69.5	18.02
	31	43.1	12.53	50.7	14.82	60.6	18.58	61.5	18.40	65.6	18.22	66.9	18.53	68.4	18.75
	33	43.1	13.37	50.7	15.88	60.6	19.46	61.5	18.92	64.5	18.93	66.0	19.21	67.6	19.48
	35	43.1	14.24	50.7	17.02	60.6	19.86	61.5	20.16	63.4	20.19	64.9	20.39	66.5	20.60
	37	43.1	15.19	50.7	18.22	60.6	20.00	60.7	21.08	62.8	21.38	64.0	21.65	65.4	21.93
	39	43.1	16.17	50.7	19.47	60.6	20.36	59.9	21.90	61.9	22.27	63.0	22.71	64.5	22.90
	41	43.1	16.78	50.7	20.22	60.6	20.67	59.2	22.68	61.0	23.15	60.6	23.37	63.6	23.61
43	43.1	17.38	50.7	20.62	60.6	21.35	59.0	23.76	60.2	24.14	61.0	24.55	61.2	24.74	
45	43.1	18.19	50.7	21.19	60.6	22.69	58.6	25.27	59.3	26.66	60.5	28.00	60.3	28.54	
48	43.1	20.97	50.7	22.58	60.6	24.19	57.9	27.22	58.5	28.83	59.1	30.44	59.4	32.06	
50	43.1	23.75	50.7	25.36	60.6	26.98	57.4	28.59	57.6	30.20	58.2	31.81	58.5	33.43	
52	43.1	26.53	50.7	28.15	60.6	29.76	56.8	31.37	56.8	32.98	57.3	34.60	57.6	36.21	
54	43.1	29.31	50.7	30.93	60.6	32.54	56.3	34.15	55.9	35.77	56.4	37.38	56.7	38.99	

Abbreviations:

CR: Combination ratio

TC: Total capacity (kW)

PI: Power input (compressor + outdoor fan motor) (kW)

Notes:

1. Shaded cells indicate rating condition.

Table continued on next page ...

Table 2-8.8: 22HP cooling capacity (continued)

CR	Outdoor air temp. (°CDB)	Indoor air temp. (°C DB/WD)													
		20.8/14		23.3/16		25.8/18		27/19		28.2/20		30.7/22		32/24	
		TC kW	PI kW	TC kW	PI kW	TC kW	PI kW	TC kW	PI kW	TC kW	PI kW	TC kW	PI kW	TC kW	PI kW
90%	-5	37.5	5.77	44.7	6.29	52.0	6.94	55.5	8.14	60.2	7.95	68.6	8.81	73.6	9.71
	-2	37.5	5.85	44.7	6.37	52.0	7.08	55.5	8.21	60.2	8.06	68.6	8.92	73.6	9.77
	0	37.5	5.92	44.7	6.45	52.0	7.19	55.5	8.33	60.2	8.14	68.6	9.08	73.6	9.89
	2	37.5	6.00	44.7	6.53	52.0	7.36	55.5	8.41	60.2	8.24	68.6	9.23	73.6	10.05
	4	37.5	6.06	44.7	6.64	52.0	7.45	55.5	8.53	60.2	8.35	68.6	9.32	73.6	10.16
	6	37.5	6.19	44.7	6.74	52.0	7.58	55.5	8.71	60.2	8.48	68.6	9.47	73.6	10.32
	8	37.5	6.29	44.7	6.88	52.0	7.72	55.5	8.87	60.2	8.63	68.6	9.63	73.6	10.50
	10	37.5	6.42	44.7	7.01	52.0	7.84	55.5	9.01	60.2	8.80	68.6	9.80	73.6	10.65
	12	37.5	6.55	44.7	7.16	52.0	8.14	55.5	9.19	60.2	8.97	68.6	10.00	73.6	10.74
	14	37.5	6.68	44.7	7.31	52.0	8.52	55.5	9.77	60.2	9.14	68.6	10.21	73.6	10.87
	16	37.5	6.81	44.7	7.49	52.0	8.73	55.5	10.02	60.2	9.34	68.6	10.34	73.6	11.00
	18	37.5	6.94	44.7	7.64	52.0	9.06	55.5	10.41	60.2	9.54	68.6	10.71	73.6	11.28
	20	37.5	7.09	44.7	7.90	52.0	9.82	55.5	11.12	60.2	10.25	68.6	11.26	73.6	11.85
	21	37.5	7.15	44.7	8.23	52.0	10.52	55.5	11.80	60.2	10.62	68.6	11.54	73.6	12.13
	23	37.5	7.65	44.7	8.88	52.0	11.31	55.5	12.61	60.2	11.43	68.6	12.10	73.6	12.70
	25	37.5	8.20	44.7	9.57	52.0	12.21	55.5	13.24	60.2	12.28	68.6	12.67	73.6	13.26
	27	37.5	8.76	44.7	10.29	52.0	12.93	55.5	14.04	60.2	13.17	68.6	13.23	73.6	13.85
	29	37.5	9.37	44.7	11.05	52.0	13.90	55.5	14.45	60.2	14.01	68.6	14.31	73.6	14.41
	31	37.5	10.02	44.7	11.86	52.0	14.86	55.5	14.72	60.2	14.58	68.6	14.82	73.6	15.00
	33	37.5	10.70	44.7	12.70	52.0	15.57	55.5	15.13	60.2	15.14	68.6	15.37	73.6	15.59
	35	37.5	11.39	44.7	13.62	52.0	15.89	55.5	16.13	60.2	16.15	68.6	16.32	73.6	16.48
	37	37.5	12.15	44.7	14.57	52.0	16.00	55.5	16.85	60.2	17.10	68.6	17.32	73.6	17.55
	39	37.5	12.94	44.7	15.57	52.0	16.29	55.5	17.12	60.2	17.81	68.6	18.17	73.6	18.32
	41	37.5	13.42	44.7	16.18	52.0	16.53	55.5	17.44	60.2	18.52	68.6	18.69	73.6	18.89
	43	37.5	13.90	44.7	16.50	52.0	17.08	55.5	17.77	60.2	19.31	68.6	19.64	73.6	19.79
	45	37.5	14.55	44.7	16.96	52.0	18.15	55.5	18.09	60.2	19.72	68.6	20.47	73.6	20.90
48	37.5	16.77	44.7	17.58	52.0	18.39	55.5	19.19	60.2	20.00	68.6	20.81	73.6	21.61	
50	37.5	19.00	44.7	19.81	52.0	20.61	55.5	21.42	60.2	22.23	68.6	23.03	73.6	23.84	
52	37.5	21.23	44.7	22.03	52.0	22.84	55.5	23.65	60.2	24.45	68.6	25.26	73.6	26.06	
54	37.5	23.45	44.7	24.26	52.0	25.06	55.5	25.87	60.2	26.68	68.6	27.48	73.6	28.29	
80%	-5	33.4	4.42	39.8	4.57	46.2	5.31	49.5	4.95	53.8	6.59	61.2	7.58	65.6	8.68
	-2	33.4	4.48	39.8	4.62	46.2	5.38	49.5	4.96	53.8	6.67	61.2	7.65	65.6	8.76
	0	33.4	4.53	39.8	4.68	46.2	5.47	49.5	5.07	53.8	6.76	61.2	7.74	65.6	8.83
	2	33.4	4.59	39.8	4.74	46.2	5.53	49.5	5.29	53.8	6.86	61.2	7.90	65.6	8.96
	4	33.4	4.64	39.8	4.81	46.2	5.63	49.5	5.31	53.8	6.95	61.2	8.02	65.6	9.09
	6	33.4	4.74	39.8	4.91	46.2	5.74	49.5	5.46	53.8	7.07	61.2	8.15	65.6	9.24
	8	33.4	4.81	39.8	5.01	46.2	5.86	49.5	5.66	53.8	7.19	61.2	8.30	65.6	9.33
	10	33.4	4.91	39.8	5.13	46.2	5.98	49.5	5.72	53.8	7.36	61.2	8.40	65.6	9.48
	12	33.4	5.01	39.8	5.22	46.2	6.09	49.5	5.87	53.8	7.50	61.2	8.57	65.6	9.66
	14	33.4	5.11	39.8	5.32	46.2	6.21	49.5	5.99	53.8	7.63	61.2	8.72	65.6	9.83
	16	33.4	5.21	39.8	5.42	46.2	6.35	49.5	6.13	53.8	7.79	61.2	8.90	65.6	10.01
	18	33.4	5.31	39.8	5.54	46.2	6.46	49.5	6.35	53.8	7.94	61.2	9.07	65.6	10.32
	20	33.4	5.43	39.8	5.67	46.2	6.60	49.5	6.91	53.8	8.23	61.2	9.75	65.6	10.80
	21	33.4	5.47	39.8	5.71	46.2	6.72	49.5	7.42	53.8	8.53	61.2	10.10	65.6	11.06
	23	33.4	5.86	39.8	5.94	46.2	7.22	49.5	8.05	53.8	9.15	61.2	10.84	65.6	11.56
	25	33.4	6.27	39.8	6.37	46.2	7.75	49.5	8.66	53.8	9.77	61.2	11.60	65.6	12.07
	27	33.4	6.71	39.8	6.80	46.2	8.29	49.5	9.49	53.8	10.45	61.2	12.42	65.6	12.58
	29	33.4	7.17	39.8	7.27	46.2	8.88	49.5	9.89	53.8	11.17	61.2	12.98	65.6	13.08
	31	33.4	7.67	39.8	7.75	46.2	9.48	49.5	10.57	53.8	11.91	61.2	13.49	65.6	13.61
	33	33.4	8.19	39.8	8.26	46.2	10.14	49.5	11.26	53.8	12.71	61.2	14.02	65.6	14.11
	35	33.4	8.72	39.8	8.80	46.2	10.82	49.5	12.34	53.8	13.55	61.2	14.52	65.6	14.64
	37	33.4	9.30	39.8	9.37	46.2	11.54	49.5	12.90	53.8	14.44	61.2	15.03	65.6	15.14
	39	33.4	9.90	39.8	9.99	46.2	12.30	49.5	13.40	53.8	15.40	61.2	15.55	65.6	15.67
	41	33.4	10.27	39.8	10.46	46.2	12.77	49.5	13.89	53.8	15.47	61.2	15.95	65.6	16.04
	43	33.4	10.64	39.8	10.92	46.2	13.23	49.5	14.54	53.8	15.80	61.2	16.16	65.6	16.29
	45	33.4	11.13	39.8	11.47	46.2	13.78	49.5	15.47	53.8	16.24	61.2	16.33	65.6	16.51
48	33.4	12.84	39.8	13.82	46.2	14.81	49.5	15.80	53.8	16.79	61.2	17.77	65.6	18.76	
50	33.4	14.54	39.8	15.53	46.2	16.51	49.5	17.50	53.8	18.49	61.2	19.48	65.6	20.46	
52	33.4	16.24	39.8	17.23	46.2	18.22	49.5	19.21	53.8	20.19	61.2	21.18	65.6	22.17	
54	33.4	17.95	39.8	18.93	46.2	19.92	49.5	20.91	53.8	21.90	61.2	22.88	65.6	23.87	

**Abbreviations:**

CR: Combination ratio

TC: Total capacity (kW)

PI: Power input (compressor + outdoor fan motor) (kW)

**Notes:**

1. Shaded cells indicate rating condition.

Table continued on next page ...

Table 2-8.8: 22HP cooling capacity (continued)

CR	Outdoor air temp. (°CDB)	Indoor air temp. (°C DB/WD)													
		20.8/14		23.3/16		25.8/18		27/19		28.2/20		30.7/22		32/24	
		TC	PI	TC	PI	TC	PI	TC	PI	TC	PI	TC	PI	TC	PI
		kW	kW	kW	kW	kW	kW	kW	kW	kW	kW	kW	kW	kW	kW
70%	-5	29.2	3.58	35.0	3.70	40.5	4.30	43.4	4.97	47.2	5.34	53.6	6.14	57.6	7.04
	-2	29.2	3.63	35.0	3.74	40.5	4.36	43.4	4.99	47.2	5.41	53.6	6.20	57.6	7.11
	0	29.2	3.67	35.0	3.79	40.5	4.43	43.4	5.02	47.2	5.48	53.6	6.27	57.6	7.16
	2	29.2	3.73	35.0	3.84	40.5	4.48	43.4	5.15	47.2	5.56	53.6	6.40	57.6	7.27
	4	29.2	3.76	35.0	3.90	40.5	4.56	43.4	5.23	47.2	5.63	53.6	6.50	57.6	7.37
	6	29.2	3.84	35.0	3.98	40.5	4.65	43.4	5.33	47.2	5.73	53.6	6.61	57.6	7.50
	8	29.2	3.90	35.0	4.06	40.5	4.75	43.4	5.43	47.2	5.83	53.6	6.73	57.6	7.57
	10	29.2	3.98	35.0	4.16	40.5	4.85	43.4	5.52	47.2	5.97	53.6	6.82	57.6	7.69
	12	29.2	4.06	35.0	4.24	40.5	4.94	43.4	5.62	47.2	6.08	53.6	6.95	57.6	7.83
	14	29.2	4.14	35.0	4.31	40.5	5.03	43.4	5.81	47.2	6.19	53.6	7.07	57.6	7.97
	16	29.2	4.22	35.0	4.39	40.5	5.15	43.4	5.83	47.2	6.31	53.6	7.21	57.6	8.11
	18	29.2	4.30	35.0	4.49	40.5	5.24	43.4	5.84	47.2	6.44	53.6	7.36	57.6	8.37
	20	29.2	4.40	35.0	4.60	40.5	5.35	43.4	6.22	47.2	6.68	53.6	7.91	57.6	8.76
	21	29.2	4.44	35.0	4.63	40.5	5.45	43.4	6.66	47.2	6.91	53.6	8.19	57.6	8.97
	23	29.2	4.75	35.0	4.82	40.5	5.86	43.4	7.03	47.2	7.42	53.6	8.79	57.6	9.38
	25	29.2	5.09	35.0	5.17	40.5	6.28	43.4	7.55	47.2	7.92	53.6	9.41	57.6	9.79
	27	29.2	5.44	35.0	5.51	40.5	6.72	43.4	8.08	47.2	8.48	53.6	10.07	57.6	10.20
	29	29.2	5.82	35.0	5.89	40.5	7.20	43.4	8.46	47.2	9.06	53.6	10.53	57.6	10.61
	31	29.2	6.22	35.0	6.29	40.5	7.69	43.4	9.02	47.2	9.66	53.6	10.94	57.6	11.03
	33	29.2	6.64	35.0	6.70	40.5	8.22	43.4	9.57	47.2	10.31	53.6	11.36	57.6	11.44
	35	29.2	7.07	35.0	7.14	40.5	8.78	43.4	10.01	47.2	10.99	53.6	11.78	57.6	11.87
	37	29.2	7.54	35.0	7.60	40.5	9.36	43.4	10.46	47.2	11.71	53.6	12.19	57.6	12.28
	39	29.2	8.03	35.0	8.10	40.5	9.98	43.4	10.87	47.2	12.49	53.6	12.61	57.6	12.71
	41	29.2	8.33	35.0	8.48	40.5	10.35	43.4	11.26	47.2	12.55	53.6	12.93	57.6	13.01
43	29.2	8.63	35.0	8.85	40.5	10.73	43.4	11.79	47.2	12.81	53.6	13.10	57.6	13.21	
45	29.2	9.03	35.0	9.30	40.5	11.18	43.4	12.54	47.2	13.17	53.6	14.24	57.6	14.85	
48	29.2	10.41	35.0	11.41	40.5	12.41	43.4	13.41	47.2	14.41	53.6	15.41	57.6	16.41	
50	29.2	11.79	35.0	12.79	40.5	13.79	43.4	14.79	47.2	15.79	53.6	16.79	57.6	17.79	
52	29.2	13.17	35.0	14.17	40.5	15.17	43.4	16.17	47.2	17.17	53.6	18.17	57.6	19.18	
54	29.2	14.55	35.0	15.55	40.5	16.55	43.4	17.55	47.2	18.55	53.6	19.56	57.6	20.56	
60%	-5	24.9	2.89	29.8	3.15	34.7	3.47	37.1	4.44	40.3	4.84	45.9	5.38	49.2	6.17
	-2	24.9	2.93	29.8	3.19	34.7	3.52	37.1	4.50	40.3	4.92	45.9	5.46	49.2	6.21
	0	24.9	2.96	29.8	3.23	34.7	3.57	37.1	4.56	40.3	4.99	45.9	5.54	49.2	6.29
	2	24.9	3.00	29.8	3.27	34.7	3.61	37.1	4.65	40.3	5.06	45.9	5.66	49.2	6.37
	4	24.9	3.03	29.8	3.32	34.7	3.68	37.1	4.70	40.3	5.16	45.9	5.74	49.2	6.46
	6	24.9	3.10	29.8	3.37	34.7	3.75	37.1	4.81	40.3	5.27	45.9	5.86	49.2	6.62
	8	24.9	3.15	29.8	3.44	34.7	3.83	37.1	4.90	40.3	5.37	45.9	5.97	49.2	6.72
	10	24.9	3.21	29.8	3.51	34.7	3.91	37.1	5.04	40.3	5.46	45.9	6.08	49.2	6.71
	12	24.9	3.27	29.8	3.58	34.7	3.98	37.1	5.13	40.3	5.57	45.9	6.20	49.2	6.82
	14	24.9	3.34	29.8	3.66	34.7	4.06	37.1	5.22	40.3	5.66	45.9	6.31	49.2	6.93
	16	24.9	3.40	29.8	3.75	34.7	4.15	37.1	5.30	40.3	5.77	45.9	6.42	49.2	7.07
	18	24.9	3.47	29.8	3.82	34.7	4.22	37.1	5.39	40.3	5.88	45.9	6.53	49.2	7.20
	20	24.9	3.55	29.8	3.95	34.7	4.31	37.1	5.50	40.3	5.93	45.9	6.66	49.2	7.33
	21	24.9	3.58	29.8	4.12	34.7	4.39	37.1	5.90	40.3	6.04	45.9	6.73	49.2	7.49
	23	24.9	3.83	29.8	4.44	34.7	4.72	37.1	6.30	40.3	6.42	45.9	7.00	49.2	7.56
	25	24.9	4.10	29.8	4.79	34.7	5.06	37.1	6.65	40.3	6.84	45.9	7.47	49.2	8.05
	27	24.9	4.38	29.8	5.15	34.7	5.42	37.1	6.98	40.3	7.29	45.9	7.96	49.2	8.58
	29	24.9	4.69	29.8	5.53	34.7	5.80	37.1	7.27	40.3	7.76	45.9	8.49	49.2	9.16
	31	24.9	5.01	29.8	5.93	34.7	6.20	37.1	7.68	40.3	8.25	45.9	9.03	49.2	9.78
	33	24.9	5.35	29.8	6.36	34.7	6.63	37.1	8.00	40.3	8.76	45.9	9.61	49.2	10.41
	35	24.9	5.70	29.8	6.81	34.7	7.07	37.1	8.07	40.3	9.29	45.9	10.23	49.2	11.10
	37	24.9	6.08	29.8	7.29	34.7	7.55	37.1	8.44	40.3	9.87	45.9	10.88	49.2	11.81
	39	24.9	6.47	29.8	7.79	34.7	8.04	37.1	8.76	40.3	10.24	45.9	11.54	49.2	12.57
	41	24.9	6.71	29.8	8.09	34.7	8.34	37.1	9.08	40.3	10.59	45.9	12.09	49.2	13.37
43	24.9	6.96	29.8	8.25	34.7	8.65	37.1	9.51	40.3	11.12	45.9	12.60	49.2	13.98	
45	24.9	7.52	29.8	9.29	34.7	9.82	37.1	10.35	40.3	12.02	45.9	13.17	49.2	14.58	
48	24.9	8.63	29.8	9.68	34.7	10.73	37.1	11.78	40.3	12.83	45.9	13.88	49.2	14.93	
50	24.9	9.75	29.8	10.80	34.7	11.84	37.1	12.89	40.3	13.94	45.9	14.99	49.2	16.04	
52	24.9	10.86	29.8	11.91	34.7	12.96	37.1	14.01	40.3	15.06	45.9	16.10	49.2	17.15	
54	24.9	11.97	29.8	13.02	34.7	14.07	37.1	15.12	40.3	16.17	45.9	17.22	49.2	18.27	

Abbreviations:

CR: Combination ratio

TC: Total capacity (kW)

PI: Power input (compressor + outdoor fan motor) (kW)

Notes:

1. Shaded cells indicate rating condition.

Table continued on next page ...

Table 2-8.8: 22HP cooling capacity (continued)

CR	Outdoor air temp. (°CDB)	Indoor air temp. (°C DB/WD)													
		20.8/14		23.3/16		25.8/18		27/19		28.2/20		30.7/22		32/24	
		TC kW	PI kW	TC kW	PI kW	TC kW	PI kW	TC kW	PI kW	TC kW	PI kW	TC kW	PI kW	TC kW	PI kW
50%	-5	21.0	2.39	25.1	2.61	29.1	2.87	31.1	3.94	33.7	4.09	38.3	4.65	41.3	5.01
	-2	21.0	2.43	25.1	2.64	29.1	2.91	31.1	4.04	33.7	4.16	38.3	4.71	41.3	5.08
	0	21.0	2.45	25.1	2.67	29.1	2.96	31.1	4.05	33.7	4.21	38.3	4.79	41.3	5.16
	2	21.0	2.49	25.1	2.71	29.1	2.99	31.1	4.07	33.7	4.28	38.3	4.81	41.3	5.26
	4	21.0	2.51	25.1	2.75	29.1	3.05	31.1	4.08	33.7	4.37	38.3	4.93	41.3	5.40
	6	21.0	2.57	25.1	2.79	29.1	3.11	31.1	4.11	33.7	4.45	38.3	5.01	41.3	5.56
	8	21.0	2.61	25.1	2.85	29.1	3.17	31.1	4.13	33.7	4.51	38.3	5.09	41.3	5.74
	10	21.0	2.66	25.1	2.90	29.1	3.23	31.1	4.09	33.7	4.64	38.3	5.22	41.3	5.82
	12	21.0	2.71	25.1	2.97	29.1	3.30	31.1	4.11	33.7	4.73	38.3	5.31	41.3	5.92
	14	21.0	2.77	25.1	3.03	29.1	3.36	31.1	4.13	33.7	4.80	38.3	5.40	41.3	6.03
	16	21.0	2.82	25.1	3.10	29.1	3.44	31.1	4.14	33.7	4.87	38.3	5.50	41.3	6.12
	18	21.0	2.87	25.1	3.16	29.1	3.50	31.1	4.16	33.7	4.96	38.3	5.59	41.3	6.24
	20	21.0	2.94	25.1	3.27	29.1	3.57	31.1	4.36	33.7	5.06	38.3	5.68	41.3	6.36
	21	21.0	2.96	25.1	3.41	29.1	3.64	31.1	4.58	33.7	5.10	38.3	5.75	41.3	6.43
	23	21.0	3.17	25.1	3.68	29.1	3.91	31.1	4.89	33.7	5.20	38.3	5.85	41.3	6.56
	25	21.0	3.40	25.1	3.97	29.1	4.19	31.1	5.20	33.7	5.36	38.3	6.15	41.3	7.01
	27	21.0	3.63	25.1	4.26	29.1	4.49	31.1	5.61	33.7	5.68	38.3	6.54	41.3	7.47
	29	21.0	3.88	25.1	4.58	29.1	4.80	31.1	5.78	33.7	6.06	38.3	6.96	41.3	7.96
	31	21.0	4.15	25.1	4.91	29.1	5.13	31.1	6.16	33.7	6.43	38.3	7.40	41.3	8.47
	33	21.0	4.43	25.1	5.26	29.1	5.49	31.1	6.49	33.7	6.82	38.3	7.86	41.3	9.00
	35	21.0	4.72	25.1	5.64	29.1	5.86	31.1	6.68	33.7	7.22	38.3	8.35	41.3	9.56
37	21.0	5.03	25.1	6.04	29.1	6.25	31.1	6.99	33.7	7.66	38.3	8.86	41.3	10.16	
39	21.0	5.36	25.1	6.45	29.1	6.66	31.1	7.26	33.7	8.12	38.3	9.40	41.3	10.79	
41	21.0	5.56	25.1	6.70	29.1	6.91	31.1	7.52	33.7	8.47	38.3	9.90	41.3	11.29	
43	21.0	5.76	25.1	6.83	29.1	7.16	31.1	8.01	33.7	8.69	38.3	10.40	41.3	11.79	
45	21.0	6.03	25.1	7.69	29.1	8.20	31.1	8.84	33.7	9.71	38.3	11.40	41.3	12.29	
48	21.0	7.08	25.1	8.08	29.1	9.09	31.1	10.09	33.7	11.09	38.3	12.09	41.3	13.10	
50	21.0	8.14	25.1	9.14	29.1	10.14	31.1	11.14	33.7	12.15	38.3	13.15	41.3	14.15	
52	21.0	9.19	25.1	10.20	29.1	11.20	31.1	12.20	33.7	13.20	38.3	14.20	41.3	15.21	
54	21.0	10.25	25.1	11.25	29.1	12.25	31.1	13.26	33.7	14.26	38.3	15.26	41.3	16.26	

Abbreviations:

CR: Combination ratio

TC: Total capacity (kW)

PI: Power input (compressor + outdoor fan motor) (kW)

Notes:

1. Shaded cells indicate rating condition.

Table 2-8.9: 24HP cooling capacity

CR	Outdoor air temp. (°CDB)	Indoor air temp. (°C DB/WD)													
		20.8/14		23.3/16		25.8/18		27/19		28.2/20		30.7/22		32/24	
		TC kW	PI kW	TC kW	PI kW	TC kW	PI kW	TC kW	PI kW	TC kW	PI kW	TC kW	PI kW	TC kW	PI kW
130%	-5	60.7	8.93	73.8	10.01	83.2	10.80	85.6	11.72	91.6	12.51	94.1	13.61	94.8	13.69
	-2	60.7	8.93	73.8	10.23	83.2	10.80	86.3	11.79	91.6	12.51	94.1	13.78	94.8	13.83
	0	60.7	9.09	73.8	10.42	83.2	11.23	86.3	12.46	91.6	13.24	94.1	13.95	94.8	14.01
	2	60.7	9.25	73.8	10.44	83.2	11.64	86.3	13.19	91.6	13.39	94.1	14.05	94.8	14.22
	4	60.7	9.46	73.8	10.66	83.2	12.08	86.3	13.25	91.6	13.57	94.1	14.04	94.8	14.49
	6	60.7	9.64	73.8	10.89	83.2	12.55	86.3	13.36	90.0	13.99	91.3	14.04	94.8	14.60
	8	60.7	9.87	73.8	11.16	83.2	13.23	86.3	14.04	89.1	14.44	90.4	14.11	93.8	14.74
	10	60.7	10.08	73.8	11.42	83.2	13.75	86.3	14.52	88.2	14.54	90.1	14.54	92.6	15.17
	12	60.7	10.25	73.8	11.66	83.2	14.04	85.4	14.69	87.0	14.93	89.3	14.81	91.7	15.26
	14	60.7	10.46	73.8	11.89	82.7	14.11	84.7	14.77	85.9	15.06	88.7	15.06	90.5	15.61
	16	60.7	10.64	73.8	12.16	81.7	14.50	83.2	15.06	84.8	15.37	88.1	15.41	89.6	15.85
	18	60.7	10.84	73.8	12.43	80.5	14.72	81.9	15.26	83.7	15.79	87.4	15.94	88.8	16.09
	20	60.7	11.08	73.8	13.28	79.7	15.49	80.7	16.02	82.6	16.56	86.8	16.71	87.9	16.88
	21	60.7	11.37	73.8	13.78	79.3	15.87	80.9	16.41	81.6	16.94	86.2	17.12	87.1	17.27
	23	60.7	12.20	73.8	14.84	77.8	16.64	79.1	17.17	80.5	17.71	85.5	17.88	86.3	18.06
	25	60.7	13.02	73.8	15.96	76.6	17.40	78.0	17.94	79.4	18.50	84.9	18.68	85.4	18.86
	27	60.7	13.91	73.8	17.14	75.6	18.17	76.8	19.10	78.3	19.27	84.3	19.48	84.6	19.68
	29	60.7	14.85	73.8	18.38	74.4	18.94	75.8	20.12	77.2	20.06	83.7	20.27	83.8	20.48
	31	60.7	15.85	71.3	19.50	73.3	19.73	74.8	21.12	76.1	20.83	83.0	21.07	82.9	21.30
	33	60.7	16.88	70.0	20.26	72.2	20.50	73.5	22.27	75.0	21.63	82.4	21.86	82.1	22.10
	35	60.7	18.00	68.8	21.03	71.1	21.29	72.2	22.30	73.9	22.42	81.8	22.69	81.2	22.92
	37	60.7	19.15	67.8	21.97	70.0	22.09	71.4	22.65	72.9	23.25	81.1	23.51	80.4	23.78
	39	60.7	20.39	66.6	22.84	68.8	22.95	70.2	23.45	72.2	24.04	80.5	24.31	79.6	24.60
	41	60.7	21.46	65.9	23.72	68.1	23.82	69.1	24.24	70.3	24.71	72.5	24.96	78.7	25.27
43	60.7	22.31	65.4	24.59	67.7	25.35	68.0	25.70	69.6	25.97	71.2	26.19	77.9	26.44	
45	60.7	23.15	65.0	25.68	67.0	26.43	66.9	26.95	68.5	27.21	69.2	27.37	77.0	27.95	
48	60.7	26.23	64.6	26.90	66.3	27.57	65.8	28.24	67.5	28.91	67.3	29.58	76.2	30.25	
50	60.7	29.31	62.6	29.98	64.9	30.65	64.6	31.32	66.3	31.99	63.2	32.65	75.4	33.32	
52	60.7	32.39	61.7	33.06	64.0	33.73	63.5	34.39	65.2	35.06	60.2	35.73	74.5	36.40	
54	60.7	35.47	60.7	36.13	63.1	36.80	62.4	37.47	64.1	38.14	57.2	38.81	73.7	39.48	
120%	-5	56.7	8.62	65.9	9.33	76.6	10.80	83.3	12.14	87.3	12.93	89.2	14.04	91.2	14.43
	-2	56.7	8.71	65.9	9.44	76.6	10.92	83.3	12.22	87.3	13.10	89.2	14.16	91.2	14.48
	0	56.7	8.79	65.9	9.52	76.6	11.06	83.3	12.25	87.3	13.22	89.2	14.25	91.2	14.51
	2	56.7	8.81	65.9	9.63	76.6	11.15	83.3	12.38	87.3	13.28	89.2	14.36	91.2	14.54
	4	56.7	8.90	65.9	9.76	76.6	11.33	83.3	12.50	87.3	13.47	89.2	14.39	91.2	14.58
	6	56.7	8.99	65.9	9.85	76.6	11.48	83.3	12.66	87.3	13.63	89.2	14.51	91.2	14.63
	8	56.7	9.07	65.9	9.96	76.6	11.66	83.3	12.83	87.3	13.78	89.2	14.56	91.2	14.70
	10	56.7	9.18	65.9	10.10	76.6	11.78	83.3	13.09	87.3	13.79	89.2	14.60	91.2	14.77
	12	56.7	9.36	65.9	10.31	76.6	12.04	83.3	13.36	86.1	13.85	88.0	14.52	89.9	14.86
	14	56.7	9.54	65.9	10.55	76.6	12.31	83.3	13.65	84.8	13.94	87.0	14.75	89.0	15.05
	16	56.7	9.71	65.9	10.78	76.6	12.58	83.2	13.85	83.9	14.16	85.8	15.00	87.8	15.28
	18	56.7	9.89	65.9	11.02	76.6	13.05	81.5	14.27	82.6	14.55	84.6	15.36	86.8	15.51
	20	56.7	10.09	65.9	11.49	76.6	14.16	80.7	15.03	81.7	15.31	83.6	16.13	85.6	16.27
	21	56.7	10.18	65.9	11.93	76.6	14.72	79.2	15.97	80.9	15.70	83.1	16.51	85.1	16.68
	23	56.7	10.89	65.9	12.87	76.6	15.87	77.6	17.24	79.9	16.46	81.9	17.30	83.9	17.45
	25	56.7	11.62	65.9	13.84	75.4	16.64	76.6	17.98	78.7	17.23	80.9	18.07	82.9	18.24
	27	56.7	12.42	65.9	14.87	74.4	17.37	75.4	19.15	77.8	18.02	79.7	18.86	81.7	19.04
	29	56.7	13.24	65.9	15.96	73.2	18.14	74.1	19.96	76.5	18.79	78.5	19.65	80.7	19.83
	31	56.7	14.12	65.9	17.11	72.0	18.93	73.2	20.95	75.6	19.58	77.5	20.45	79.5	20.66
	33	56.7	15.04	65.9	18.32	71.0	19.70	72.0	21.84	74.3	20.35	76.3	21.25	78.2	21.45
	35	56.7	16.01	65.9	19.61	69.8	20.46	70.7	22.13	73.4	21.14	75.3	22.04	77.3	22.27
	37	56.7	17.04	65.9	20.96	68.8	21.26	69.8	22.26	71.4	22.39	74.1	22.83	76.1	23.10
	39	56.7	18.13	65.6	22.20	67.6	22.02	68.6	22.39	70.2	22.73	73.1	23.66	75.1	23.89
	41	56.7	19.13	65.1	23.37	67.0	22.80	68.0	23.44	69.0	23.52	71.2	24.45	73.0	24.71
43	56.7	19.97	64.7	22.53	66.5	23.44	67.5	23.96	68.5	24.32	69.9	25.25	71.8	25.52	
45	56.7	20.81	64.4	22.75	65.9	23.90	66.8	24.80	67.9	25.11	68.5	26.05	71.3	26.33	
48	56.7	23.86	64.0	24.53	65.3	25.19	66.2	25.85	67.3	26.52	67.2	27.18	70.4	27.84	
50	56.7	26.92	63.6	27.58	64.5	28.24	65.4	28.91	66.2	29.57	65.7	30.23	68.9	30.90	
52	56.7	29.97	63.2	30.63	63.9	31.30	64.7	31.96	65.4	32.62	64.3	33.29	67.8	33.95	
54	56.7	33.02	62.8	33.69	63.2	34.35	64.0	35.01	64.6	35.68	62.9	36.34	66.6	37.01	

Abbreviations:

CR: Combination ratio

TC: Total capacity (kW)

PI: Power input (compressor + outdoor fan motor) (kW)

Notes:

1. Shaded cells indicate rating condition.

Table continued on next page ...



Table 2-8.9: 24HP cooling capacity (continued)

CR	Outdoor air temp. (°CDB)	Indoor air temp. (°C DB/WD)													
		20.8/14		23.3/16		25.8/18		27/19		28.2/20		30.7/22		32/24	
		TC kW	PI kW	TC kW	PI kW	TC kW	PI kW	TC kW	PI kW	TC kW	PI kW	TC kW	PI kW	TC kW	PI kW
110%	-5	52.4	7.53	60.5	8.50	73.2	10.09	75.6	11.35	81.4	12.48	87.5	12.98	89.5	13.84
	-2	52.4	7.68	60.5	8.62	73.2	10.19	75.6	11.47	81.4	12.59	87.5	13.12	89.5	13.91
	0	52.4	7.75	60.5	8.67	73.2	10.27	75.6	11.55	81.4	12.73	87.5	13.25	89.5	14.08
	2	52.4	7.92	60.5	8.76	73.2	10.45	75.6	11.68	81.4	12.87	87.5	13.45	89.5	14.26
	4	52.4	8.08	60.5	8.87	73.2	10.56	75.6	11.84	81.4	13.07	87.5	13.64	89.5	14.39
	6	52.4	8.16	60.5	8.99	73.2	10.67	75.6	12.03	81.4	13.23	87.5	13.79	89.5	14.61
	8	52.4	8.24	60.5	9.14	73.2	10.81	75.6	12.17	81.4	13.38	87.5	13.88	89.5	14.76
	10	52.4	8.33	60.5	9.28	73.2	10.98	75.6	12.39	81.4	13.61	87.5	13.98	89.5	14.89
	12	52.4	8.51	60.5	9.49	73.2	11.21	75.6	12.65	81.4	13.87	86.5	14.20	88.3	15.08
	14	52.4	8.66	60.5	9.66	73.2	11.45	75.6	12.89	81.4	14.14	85.3	14.31	87.3	15.19
	16	52.4	8.81	60.5	9.87	73.2	11.68	75.6	13.15	81.4	14.43	84.4	14.49	86.1	15.36
	18	52.4	8.98	60.5	10.08	73.2	11.95	75.6	13.53	81.4	15.14	83.1	15.26	85.1	15.84
	20	52.4	9.16	60.5	10.31	73.2	12.71	75.6	14.59	80.2	15.91	82.2	16.02	83.9	16.61
	21	52.4	9.25	60.5	10.63	73.2	13.21	75.6	15.74	79.7	16.29	81.4	16.40	83.4	16.99
	23	52.4	9.69	60.5	11.46	73.2	14.24	75.6	16.75	78.5	17.02	80.5	17.20	82.2	17.79
	25	52.4	10.34	60.5	12.31	73.2	15.30	75.6	17.87	77.5	17.79	79.2	17.97	81.2	18.55
	27	52.4	11.01	60.5	13.23	73.2	16.45	74.6	18.74	76.3	18.56	78.3	18.73	80.0	19.35
	29	52.4	11.75	60.5	14.17	73.2	17.66	73.2	19.83	75.3	19.35	77.0	19.53	79.0	20.14
	31	52.4	12.52	60.5	15.17	73.2	18.93	71.9	20.92	74.1	20.12	76.1	20.29	77.8	20.94
	33	52.4	13.31	60.5	16.23	73.2	20.01	71.5	21.73	73.1	20.88	74.8	21.09	76.8	21.73
	35	52.4	14.17	60.5	17.35	69.3	20.78	69.5	22.00	71.9	21.68	73.6	21.88	75.6	22.53
	37	52.4	15.51	60.5	18.53	67.6	21.58	68.8	22.10	70.7	22.44	72.6	22.68	74.3	23.32
	39	52.4	16.83	60.5	19.79	66.4	22.34	67.5	22.90	69.5	23.24	71.4	23.47	73.4	24.15
	41	52.4	18.15	60.5	19.96	65.2	22.51	66.8	23.07	68.3	23.40	69.1	23.75	71.2	24.31
43	52.4	19.48	60.5	20.23	63.9	22.67	66.1	23.23	67.2	23.57	68.6	24.37	70.1	24.81	
45	52.4	20.58	60.5	20.94	62.7	23.14	64.9	23.71	66.0	24.05	66.8	24.90	68.6	25.63	
48	52.4	23.62	60.5	24.28	61.5	24.94	64.0	25.60	64.9	26.26	66.0	26.92	67.1	27.58	
50	52.4	26.65	59.2	27.31	60.3	27.97	63.1	28.63	63.7	29.29	64.5	29.95	65.6	30.61	
52	52.4	29.69	57.8	30.35	59.1	31.01	62.1	31.67	62.6	32.33	63.2	32.99	64.1	33.65	
54	52.4	32.72	56.4	33.38	57.8	34.04	61.2	34.70	61.4	35.36	61.9	36.02	62.6	36.68	
100%	-5	47.0	7.74	55.2	8.43	66.1	9.29	67.0	10.91	72.6	10.65	83.5	11.80	86.0	13.01
	-2	47.0	7.84	55.2	8.54	66.1	9.48	67.0	11.00	72.6	10.81	83.5	11.95	86.0	13.10
	0	47.0	7.93	55.2	8.64	66.1	9.64	67.0	11.16	72.6	10.91	83.5	12.17	86.0	13.25
	2	47.0	8.05	55.2	8.75	66.1	9.86	67.0	11.26	72.6	11.04	83.5	12.36	86.0	13.46
	4	47.0	8.13	55.2	8.90	66.1	9.99	67.0	11.43	72.6	11.19	83.5	12.49	86.0	13.61
	6	47.0	8.30	55.2	9.03	66.1	10.16	67.0	11.67	72.6	11.37	83.5	12.69	86.0	13.83
	8	47.0	8.43	55.2	9.22	66.1	10.35	67.0	11.88	72.6	11.56	83.5	12.90	86.0	14.07
	10	47.0	8.60	55.2	9.39	66.1	10.51	67.0	12.07	72.6	11.79	83.5	13.13	86.0	14.28
	12	47.0	8.77	55.2	9.59	66.1	10.91	67.0	12.31	72.6	12.02	83.5	13.39	84.8	14.39
	14	47.0	8.95	55.2	9.80	66.1	11.42	67.0	13.09	72.6	12.25	83.5	13.68	83.9	14.57
	16	47.0	9.12	55.2	10.03	66.1	11.70	67.0	13.42	72.6	12.52	81.0	13.86	82.7	14.74
	18	47.0	9.29	55.2	10.24	66.1	12.14	67.0	13.95	72.6	12.78	80.1	14.36	81.7	15.12
	20	47.0	9.50	55.2	10.59	66.1	13.16	67.0	14.90	72.6	13.74	78.9	15.08	80.5	15.88
	21	47.0	9.59	55.2	11.02	66.1	14.09	67.0	15.81	72.6	14.23	78.4	15.46	80.1	16.26
	23	47.0	10.26	55.2	11.90	66.1	15.16	67.0	16.90	72.6	15.31	77.4	16.22	78.9	17.01
	25	47.0	10.98	55.2	12.83	66.1	16.36	67.0	17.74	72.6	16.45	76.2	16.98	77.9	17.77
	27	47.0	11.74	55.2	13.79	66.1	17.32	67.0	18.81	72.6	17.64	75.0	17.73	76.7	18.56
	29	47.0	12.56	55.2	14.81	66.1	18.62	67.0	19.36	72.4	18.78	74.1	19.17	75.8	19.31
	31	47.0	13.43	55.2	15.89	66.1	19.91	67.0	19.72	71.4	19.54	72.9	19.86	74.6	20.10
	33	47.0	14.33	55.2	17.02	66.1	20.86	67.0	20.28	70.3	20.29	71.9	20.59	73.6	20.89
	35	47.0	15.27	55.2	18.25	66.1	21.29	67.0	21.61	69.1	21.64	70.7	21.86	72.4	22.08
	37	47.0	16.29	55.2	19.53	66.1	21.44	66.1	22.59	68.4	22.92	69.8	23.20	71.2	23.51
	39	47.0	17.33	55.2	20.87	66.1	21.83	65.3	23.47	67.4	23.87	68.6	24.34	70.3	24.54
	41	47.0	17.98	55.2	21.68	66.1	22.15	64.5	24.31	66.5	24.81	66.1	25.05	69.3	25.31
43	47.0	18.63	55.2	22.10	66.1	22.89	64.2	25.47	65.6	25.87	66.5	26.31	66.7	26.52	
45	47.0	19.49	55.2	22.72	66.1	24.33	63.8	27.08	64.6	28.58	65.9	30.02	65.6	30.59	
48	47.0	22.48	55.2	24.21	66.1	25.93	63.1	29.18	63.7	30.90	64.4	32.63	64.7	34.36	
50	47.0	25.46	55.2	27.19	66.1	28.92	62.5	30.65	62.8	32.37	63.4	34.10	63.7	35.83	
52	47.0	28.44	55.2	30.17	66.1	31.90	61.9	33.63	61.8	35.36	62.4	37.08	62.7	38.81	
54	47.0	31.42	55.2	33.15	66.1	34.88	61.4	36.61	60.9	38.34	61.4	40.07	61.7	41.80	

**Abbreviations:**

CR: Combination ratio

TC: Total capacity (kW)

PI: Power input (compressor + outdoor fan motor) (kW)

**Notes:**

- Shaded cells indicate rating condition.

Table continued on next page ...



Table 2-8.9: 24HP cooling capacity (continued)

CR	Outdoor air temp. (°CDB)	Indoor air temp. (°C DB/WDB)													
		20.8/14		23.3/16		25.8/18		27/19		28.2/20		30.7/22		32/24	
		TC kW	PI kW	TC kW	PI kW	TC kW	PI kW	TC kW	PI kW	TC kW	PI kW	TC kW	PI kW	TC kW	PI kW
90%	-5	40.8	6.19	48.7	6.74	56.7	7.44	60.5	8.73	65.6	8.52	74.7	9.44	80.2	10.41
	-2	40.8	6.28	48.7	6.83	56.7	7.59	60.5	8.80	65.6	8.64	74.7	9.56	80.2	10.48
	0	40.8	6.34	48.7	6.92	56.7	7.71	60.5	8.93	65.6	8.73	74.7	9.73	80.2	10.60
	2	40.8	6.44	48.7	7.00	56.7	7.89	60.5	9.01	65.6	8.83	74.7	9.89	80.2	10.77
	4	40.8	6.50	48.7	7.12	56.7	7.99	60.5	9.14	65.6	8.96	74.7	9.99	80.2	10.89
	6	40.8	6.64	48.7	7.23	56.7	8.13	60.5	9.34	65.6	9.09	74.7	10.15	80.2	11.06
	8	40.8	6.74	48.7	7.38	56.7	8.28	60.5	9.51	65.6	9.25	74.7	10.32	80.2	11.25
	10	40.8	6.88	48.7	7.51	56.7	8.41	60.5	9.65	65.6	9.43	74.7	10.51	80.2	11.42
	12	40.8	7.02	48.7	7.68	56.7	8.73	60.5	9.85	65.6	9.62	74.7	10.72	80.2	11.51
	14	40.8	7.16	48.7	7.84	56.7	9.13	60.5	10.47	65.6	9.80	74.7	10.95	80.2	11.66
	16	40.8	7.30	48.7	8.03	56.7	9.36	60.5	10.74	65.6	10.01	74.7	11.09	80.2	11.79
	18	40.8	7.44	48.7	8.19	56.7	9.71	60.5	11.16	65.6	10.22	74.7	11.48	80.2	12.10
	20	40.8	7.60	48.7	8.47	56.7	10.52	60.5	11.92	65.6	10.99	74.7	12.07	80.2	12.70
	21	40.8	7.67	48.7	8.82	56.7	11.27	60.5	12.65	65.6	11.39	74.7	12.37	80.2	13.00
	23	40.8	8.20	48.7	9.52	56.7	12.13	60.5	13.52	65.6	12.25	74.7	12.97	80.2	13.61
	25	40.8	8.79	48.7	10.26	56.7	13.09	60.5	14.20	65.6	13.16	74.7	13.58	80.2	14.22
	27	40.8	9.39	48.7	11.03	56.7	13.86	60.5	15.05	65.6	14.11	74.7	14.19	80.2	14.85
	29	40.8	10.05	48.7	11.85	56.7	14.90	60.5	15.49	65.6	15.02	74.7	15.33	80.2	15.45
	31	40.8	10.74	48.7	12.71	56.7	15.93	60.5	15.78	65.6	15.63	74.7	15.89	80.2	16.08
	33	40.8	11.47	48.7	13.62	56.7	16.69	60.5	16.22	65.6	16.23	74.7	16.47	80.2	16.71
	35	40.8	12.21	48.7	14.60	56.7	17.03	60.5	17.29	65.6	17.32	74.7	17.49	80.2	17.66
	37	40.8	13.03	48.7	15.62	56.7	17.15	60.5	18.06	65.6	18.33	74.7	18.56	80.2	18.81
	39	40.8	13.87	48.7	16.69	56.7	17.46	60.5	18.36	65.6	19.10	74.7	19.47	80.2	19.63
	41	40.8	14.39	48.7	17.34	56.7	17.72	60.5	18.70	65.6	19.85	74.7	20.04	80.2	20.25
43	40.8	14.90	48.7	17.68	56.7	18.31	60.5	19.05	65.6	20.70	74.7	21.05	80.2	21.21	
45	40.8	15.60	48.7	18.17	56.7	19.46	60.5	19.39	65.6	21.14	74.7	21.94	80.2	22.40	
48	40.8	17.98	48.7	18.85	56.7	19.71	60.5	20.57	65.6	21.44	74.7	22.30	80.2	23.17	
50	40.8	20.37	48.7	21.23	56.7	22.10	60.5	22.96	65.6	23.82	74.7	24.69	80.2	25.55	
52	40.8	22.75	48.7	23.62	56.7	24.48	60.5	25.35	65.6	26.21	74.7	27.07	80.2	27.94	
54	40.8	25.14	48.7	26.00	56.7	26.87	60.5	27.73	65.6	28.60	74.7	29.46	80.2	30.32	
80%	-5	36.4	4.74	43.3	4.89	50.3	5.69	53.9	5.31	58.6	7.06	66.7	8.12	71.5	9.30
	-2	36.4	4.80	43.3	4.95	50.3	5.77	53.9	5.32	58.6	7.15	66.7	8.20	71.5	9.39
	0	36.4	4.86	43.3	5.01	50.3	5.86	53.9	5.44	58.6	7.24	66.7	8.29	71.5	9.47
	2	36.4	4.93	43.3	5.08	50.3	5.93	53.9	5.67	58.6	7.36	66.7	8.47	71.5	9.60
	4	36.4	4.97	43.3	5.16	50.3	6.03	53.9	5.69	58.6	7.45	66.7	8.60	71.5	9.74
	6	36.4	5.08	43.3	5.27	50.3	6.15	53.9	5.85	58.6	7.58	66.7	8.73	71.5	9.91
	8	36.4	5.16	43.3	5.37	50.3	6.29	53.9	6.07	58.6	7.71	66.7	8.89	71.5	10.00
	10	36.4	5.26	43.3	5.49	50.3	6.41	53.9	6.14	58.6	7.89	66.7	9.01	71.5	10.16
	12	36.4	5.37	43.3	5.60	50.3	6.53	53.9	6.29	58.6	8.03	66.7	9.18	71.5	10.35
	14	36.4	5.48	43.3	5.70	50.3	6.66	53.9	6.42	58.6	8.18	66.7	9.35	71.5	10.54
	16	36.4	5.58	43.3	5.81	50.3	6.80	53.9	6.57	58.6	8.35	66.7	9.54	71.5	10.73
	18	36.4	5.69	43.3	5.93	50.3	6.93	53.9	6.81	58.6	8.51	66.7	9.72	71.5	11.06
	20	36.4	5.82	43.3	6.08	50.3	7.07	53.9	7.40	58.6	8.83	66.7	10.45	71.5	11.58
	21	36.4	5.87	43.3	6.12	50.3	7.20	53.9	7.96	58.6	9.14	66.7	10.83	71.5	11.85
	23	36.4	6.28	43.3	6.37	50.3	7.74	53.9	8.63	58.6	9.81	66.7	11.62	71.5	12.39
	25	36.4	6.72	43.3	6.83	50.3	8.30	53.9	9.28	58.6	10.48	66.7	12.44	71.5	12.94
	27	36.4	7.19	43.3	7.29	50.3	8.89	53.9	10.17	58.6	11.21	66.7	13.31	71.5	13.48
	29	36.4	7.69	43.3	7.79	50.3	9.51	53.9	10.60	58.6	11.98	66.7	13.92	71.5	14.02
	31	36.4	8.22	43.3	8.31	50.3	10.16	53.9	11.33	58.6	12.77	66.7	14.46	71.5	14.59
	33	36.4	8.78	43.3	8.85	50.3	10.87	53.9	12.07	58.6	13.63	66.7	15.02	71.5	15.13
	35	36.4	9.35	43.3	9.44	50.3	11.60	53.9	13.23	58.6	14.52	66.7	15.57	71.5	15.69
	37	36.4	9.97	43.3	10.04	50.3	12.37	53.9	13.83	58.6	15.48	66.7	16.11	71.5	16.23
	39	36.4	10.61	43.3	10.71	50.3	13.19	53.9	14.37	58.6	16.51	66.7	16.67	71.5	16.80
	41	36.4	11.01	43.3	11.21	50.3	13.68	53.9	14.88	58.6	16.58	66.7	17.10	71.5	17.19
43	36.4	11.41	43.3	11.70	50.3	14.18	53.9	15.59	58.6	16.94	66.7	17.32	71.5	17.46	
45	36.4	11.93	43.3	12.30	50.3	14.77	53.9	16.58	58.6	17.41	66.7	17.50	71.5	17.69	
48	36.4	13.76	43.3	14.82	50.3	15.88	53.9	16.94	58.6	17.99	66.7	19.05	71.5	20.11	
50	36.4	15.59	43.3	16.64	50.3	17.70	53.9	18.76	58.6	19.82	66.7	20.88	71.5	21.94	
52	36.4	17.41	43.3	18.47	50.3	19.53	53.9	20.59	58.6	21.65	66.7	22.70	71.5	23.76	
54	36.4	19.24	43.3	20.30	50.3	21.35	53.9	22.41	58.6	23.47	66.7	24.53	71.5	25.59	

Abbreviations:  
 CR: Combination ratio  
 TC: Total capacity (kW)  
 PI: Power input (compressor + outdoor fan motor) (kW)

Notes:  
 1. Shaded cells indicate rating condition.

Table continued on next page ...

Table 2-8.9: 24HP cooling capacity (continued)

CR	Outdoor air temp. (°CDB)	Indoor air temp. (°C DB/WDB)													
		20.8/14		23.3/16		25.8/18		27/19		28.2/20		30.7/22		32/24	
		TC	PI	TC	PI	TC	PI	TC	PI	TC	PI	TC	PI	TC	PI
		kW	kW	kW	kW	kW	kW	kW	kW	kW	kW	kW	kW	kW	kW
70%	-5	31.9	3.84	38.1	3.97	44.2	4.61	47.3	5.32	51.4	5.73	58.4	6.59	62.7	7.54
	-2	31.9	3.89	38.1	4.01	44.2	4.68	47.3	5.35	51.4	5.80	58.4	6.65	62.7	7.62
	0	31.9	3.94	38.1	4.07	44.2	4.75	47.3	5.38	51.4	5.87	58.4	6.73	62.7	7.68
	2	31.9	3.99	38.1	4.12	44.2	4.81	47.3	5.53	51.4	5.96	58.4	6.87	62.7	7.79
	4	31.9	4.03	38.1	4.18	44.2	4.89	47.3	5.61	51.4	6.04	58.4	6.97	62.7	7.90
	6	31.9	4.12	38.1	4.27	44.2	4.99	47.3	5.72	51.4	6.15	58.4	7.08	62.7	8.03
	8	31.9	4.18	38.1	4.36	44.2	5.10	47.3	5.82	51.4	6.25	58.4	7.21	62.7	8.11
	10	31.9	4.27	38.1	4.46	44.2	5.19	47.3	5.92	51.4	6.40	58.4	7.31	62.7	8.24
	12	31.9	4.35	38.1	4.54	44.2	5.30	47.3	6.03	51.4	6.51	58.4	7.44	62.7	8.39
	14	31.9	4.44	38.1	4.62	44.2	5.40	47.3	6.22	51.4	6.63	58.4	7.58	62.7	8.54
	16	31.9	4.53	38.1	4.71	44.2	5.52	47.3	6.25	51.4	6.77	58.4	7.73	62.7	8.70
	18	31.9	4.61	38.1	4.81	44.2	5.62	47.3	6.26	51.4	6.90	58.4	7.88	62.7	8.97
	20	31.9	4.72	38.1	4.93	44.2	5.74	47.3	6.67	51.4	7.16	58.4	8.48	62.7	9.39
	21	31.9	4.76	38.1	4.96	44.2	5.84	47.3	7.14	51.4	7.41	58.4	8.78	62.7	9.61
	23	31.9	5.09	38.1	5.17	44.2	6.28	47.3	7.53	51.4	7.95	58.4	9.42	62.7	10.05
	25	31.9	5.45	38.1	5.54	44.2	6.73	47.3	8.09	51.4	8.49	58.4	10.08	62.7	10.49
	27	31.9	5.83	38.1	5.91	44.2	7.21	47.3	8.67	51.4	9.09	58.4	10.79	62.7	10.93
	29	31.9	6.23	38.1	6.32	44.2	7.72	47.3	9.07	51.4	9.71	58.4	11.29	62.7	11.37
	31	31.9	6.67	38.1	6.74	44.2	8.24	47.3	9.67	51.4	10.35	58.4	11.73	62.7	11.83
	33	31.9	7.12	38.1	7.18	44.2	8.81	47.3	10.26	51.4	11.05	58.4	12.18	62.7	12.27
	35	31.9	7.58	38.1	7.65	44.2	9.41	47.3	10.73	51.4	11.78	58.4	12.62	62.7	12.72
	37	31.9	8.08	38.1	8.14	44.2	10.03	47.3	11.22	51.4	12.55	58.4	13.06	62.7	13.16
	39	31.9	8.60	38.1	8.69	44.2	10.69	47.3	11.65	51.4	13.39	58.4	13.52	62.7	13.62
	41	31.9	8.93	38.1	9.09	44.2	11.10	47.3	12.07	51.4	13.45	58.4	13.86	62.7	13.94
43	31.9	9.25	38.1	9.49	44.2	11.50	47.3	12.64	51.4	13.73	58.4	14.04	62.7	14.16	
45	31.9	9.68	38.1	9.97	44.2	11.98	47.3	13.44	51.4	14.12	58.4	15.26	62.7	15.92	
48	31.9	11.16	38.1	12.23	44.2	13.30	47.3	14.38	51.4	15.45	58.4	16.52	62.7	17.59	
50	31.9	12.64	38.1	13.71	44.2	14.78	47.3	15.86	51.4	16.93	58.4	18.00	62.7	19.07	
52	31.9	14.12	38.1	15.19	44.2	16.26	47.3	17.34	51.4	18.41	58.4	19.48	62.7	20.55	
54	31.9	15.60	38.1	16.67	44.2	17.74	47.3	18.82	51.4	19.89	58.4	20.96	62.7	22.03	
60%	-5	27.2	3.10	32.5	3.37	37.8	3.72	40.4	4.76	43.9	5.19	50.0	5.77	53.6	6.62
	-2	27.2	3.14	32.5	3.42	37.8	3.77	40.4	4.83	43.9	5.28	50.0	5.85	53.6	6.66
	0	27.2	3.17	32.5	3.46	37.8	3.83	40.4	4.89	43.9	5.35	50.0	5.94	53.6	6.75
	2	27.2	3.22	32.5	3.50	37.8	3.87	40.4	4.98	43.9	5.43	50.0	6.06	53.6	6.83
	4	27.2	3.25	32.5	3.56	37.8	3.94	40.4	5.04	43.9	5.53	50.0	6.16	53.6	6.93
	6	27.2	3.32	32.5	3.61	37.8	4.02	40.4	5.15	43.9	5.65	50.0	6.28	53.6	7.09
	8	27.2	3.37	32.5	3.69	37.8	4.11	40.4	5.25	43.9	5.76	50.0	6.40	53.6	7.20
	10	27.2	3.44	32.5	3.76	37.8	4.19	40.4	5.40	43.9	5.85	50.0	6.52	53.6	7.19
	12	27.2	3.51	32.5	3.84	37.8	4.27	40.4	5.50	43.9	5.97	50.0	6.64	53.6	7.31
	14	27.2	3.58	32.5	3.92	37.8	4.35	40.4	5.59	43.9	6.07	50.0	6.76	53.6	7.43
	16	27.2	3.65	32.5	4.02	37.8	4.45	40.4	5.69	43.9	6.19	50.0	6.88	53.6	7.57
	18	27.2	3.72	32.5	4.10	37.8	4.53	40.4	5.78	43.9	6.31	50.0	7.00	53.6	7.72
	20	27.2	3.80	32.5	4.24	37.8	4.62	40.4	5.90	43.9	6.35	50.0	7.14	53.6	7.86
	21	27.2	3.84	32.5	4.41	37.8	4.71	40.4	6.33	43.9	6.47	50.0	7.22	53.6	8.03
	23	27.2	4.10	32.5	4.76	37.8	5.06	40.4	6.76	43.9	6.88	50.0	7.50	53.6	8.10
	25	27.2	4.40	32.5	5.13	37.8	5.43	40.4	7.13	43.9	7.33	50.0	8.00	53.6	8.62
	27	27.2	4.70	32.5	5.52	37.8	5.81	40.4	7.48	43.9	7.81	50.0	8.53	53.6	9.20
	29	27.2	5.03	32.5	5.93	37.8	6.22	40.4	7.80	43.9	8.31	50.0	9.10	53.6	9.82
	31	27.2	5.37	32.5	6.36	37.8	6.64	40.4	8.23	43.9	8.84	50.0	9.68	53.6	10.49
	33	27.2	5.74	32.5	6.81	37.8	7.11	40.4	8.58	43.9	9.39	50.0	10.30	53.6	11.16
	35	27.2	6.11	32.5	7.30	37.8	7.58	40.4	8.65	43.9	9.96	50.0	10.97	53.6	11.90
	37	27.2	6.52	32.5	7.81	37.8	8.09	40.4	9.04	43.9	10.58	50.0	11.66	53.6	12.66
	39	27.2	6.94	32.5	8.35	37.8	8.62	40.4	9.39	43.9	10.97	50.0	12.37	53.6	13.47
	41	27.2	7.20	32.5	8.68	37.8	8.94	40.4	9.73	43.9	11.36	50.0	12.96	53.6	14.33
43	27.2	7.46	32.5	8.85	37.8	9.27	40.4	10.19	43.9	11.92	50.0	13.51	53.6	14.98	
45	27.2	8.06	32.5	9.96	37.8	10.52	40.4	11.10	43.9	12.88	50.0	14.11	53.6	15.63	
48	27.2	9.25	32.5	10.38	37.8	11.50	40.4	12.63	43.9	13.75	50.0	14.88	53.6	16.00	
50	27.2	10.45	32.5	11.57	37.8	12.70	40.4	13.82	43.9	14.95	50.0	16.07	53.6	17.19	
52	27.2	11.64	32.5	12.77	37.8	13.89	40.4	15.01	43.9	16.14	50.0	17.26	53.6	18.39	
54	27.2	12.83	32.5	13.96	37.8	15.08	40.4	16.21	43.9	17.33	50.0	18.46	53.6	19.58	

**Abbreviations:**

CR: Combination ratio

TC: Total capacity (kW)

PI: Power input (compressor + outdoor fan motor) (kW)

**Notes:**

1. Shaded cells indicate rating condition.

Table continued on next page ...

Table 2-8.9: 24HP cooling capacity (continued)

CR	Outdoor air temp. (°CDB)	Indoor air temp. (°C DB/WD)													
		20.8/14		23.3/16		25.8/18		27/19		28.2/20		30.7/22		32/24	
		TC kW	PI kW	TC kW	PI kW	TC kW	PI kW	TC kW	PI kW	TC kW	PI kW	TC kW	PI kW	TC kW	PI kW
50%	-5	22.8	2.56	27.3	2.79	31.7	3.08	33.8	4.22	36.7	4.38	41.7	4.98	45.0	5.37
	-2	22.8	2.60	27.3	2.83	31.7	3.12	33.8	4.33	36.7	4.46	41.7	5.05	45.0	5.44
	0	22.8	2.63	27.3	2.86	31.7	3.17	33.8	4.34	36.7	4.51	41.7	5.13	45.0	5.54
	2	22.8	2.67	27.3	2.90	31.7	3.21	33.8	4.36	36.7	4.59	41.7	5.16	45.0	5.64
	4	22.8	2.69	27.3	2.95	31.7	3.27	33.8	4.37	36.7	4.68	41.7	5.29	45.0	5.79
	6	22.8	2.75	27.3	2.99	31.7	3.33	33.8	4.41	36.7	4.77	41.7	5.37	45.0	5.96
	8	22.8	2.79	27.3	3.06	31.7	3.40	33.8	4.42	36.7	4.83	41.7	5.45	45.0	6.15
	10	22.8	2.85	27.3	3.11	31.7	3.47	33.8	4.38	36.7	4.97	41.7	5.60	45.0	6.24
	12	22.8	2.91	27.3	3.18	31.7	3.54	33.8	4.41	36.7	5.07	41.7	5.69	45.0	6.34
	14	22.8	2.96	27.3	3.25	31.7	3.60	33.8	4.43	36.7	5.15	41.7	5.79	45.0	6.47
	16	22.8	3.02	27.3	3.33	31.7	3.68	33.8	4.44	36.7	5.22	41.7	5.89	45.0	6.56
	18	22.8	3.08	27.3	3.39	31.7	3.75	33.8	4.46	36.7	5.32	41.7	5.99	45.0	6.69
	20	22.8	3.15	27.3	3.51	31.7	3.83	33.8	4.67	36.7	5.42	41.7	6.09	45.0	6.81
	21	22.8	3.18	27.3	3.65	31.7	3.90	33.8	4.91	36.7	5.47	41.7	6.17	45.0	6.89
	23	22.8	3.40	27.3	3.94	31.7	4.19	33.8	5.24	36.7	5.57	41.7	6.27	45.0	7.04
	25	22.8	3.64	27.3	4.25	31.7	4.50	33.8	5.57	36.7	5.74	41.7	6.59	45.0	7.51
	27	22.8	3.89	27.3	4.57	31.7	4.81	33.8	6.01	36.7	6.09	41.7	7.01	45.0	8.01
	29	22.8	4.16	27.3	4.91	31.7	5.15	33.8	6.19	36.7	6.49	41.7	7.46	45.0	8.53
	31	22.8	4.45	27.3	5.26	31.7	5.50	33.8	6.60	36.7	6.89	41.7	7.93	45.0	9.08
	33	22.8	4.75	27.3	5.64	31.7	5.88	33.8	6.96	36.7	7.31	41.7	8.43	45.0	9.65
	35	22.8	5.06	27.3	6.05	31.7	6.28	33.8	7.16	36.7	7.73	41.7	8.95	45.0	10.25
37	22.8	5.40	27.3	6.47	31.7	6.70	33.8	7.49	36.7	8.21	41.7	9.50	45.0	10.89	
39	22.8	5.74	27.3	6.92	31.7	7.14	33.8	7.78	36.7	8.70	41.7	10.07	45.0	11.56	
41	22.8	5.96	27.3	7.18	31.7	7.41	33.8	8.06	36.7	9.08	41.7	10.61	45.0	12.10	
43	22.8	6.17	27.3	7.32	31.7	7.68	33.8	8.58	36.7	9.31	41.7	11.15	45.0	12.64	
45	22.8	6.46	27.3	8.25	31.7	8.79	33.8	9.48	36.7	10.41	41.7	12.22	45.0	13.17	
48	22.8	7.59	27.3	8.67	31.7	9.74	33.8	10.81	36.7	11.89	41.7	12.96	45.0	14.04	
50	22.8	8.72	27.3	9.80	31.7	10.87	33.8	11.95	36.7	13.02	41.7	14.09	45.0	15.17	
52	22.8	9.86	27.3	10.93	31.7	12.00	33.8	13.08	36.7	14.15	41.7	15.23	45.0	16.30	
54	22.8	10.99	27.3	12.06	31.7	13.14	33.8	14.21	36.7	15.28	41.7	16.36	45.0	17.43	

Abbreviations:

CR: Combination ratio

TC: Total capacity (kW)

PI: Power input (compressor + outdoor fan motor) (kW)

Notes:

1. Shaded cells indicate rating condition.

Table 2-8.10: 26HP cooling capacity

CR	Outdoor air temp. (°CDB)	Indoor air temp. (°C DB/WD)													
		20.8/14		23.3/16		25.8/18		27/19		28.2/20		30.7/22		32/24	
		TC kW	PI kW	TC kW	PI kW	TC kW	PI kW	TC kW	PI kW	TC kW	PI kW	TC kW	PI kW	TC kW	PI kW
130%	-5	66.1	8.88	80.4	9.95	90.7	10.73	93.3	11.64	99.8	12.43	102.5	13.52	103.3	13.60
	-2	66.1	8.88	80.4	10.16	90.7	10.73	94.1	11.72	99.8	12.43	102.5	13.69	103.3	13.74
	0	66.1	9.03	80.4	10.35	90.7	11.15	94.1	12.38	99.8	13.15	102.5	13.86	103.3	13.92
	2	66.1	9.19	80.4	10.37	90.7	11.57	94.1	13.10	99.8	13.30	102.5	13.96	103.3	14.13
	4	66.1	9.40	80.4	10.59	90.7	12.00	94.1	13.16	99.8	13.48	102.5	13.95	103.3	14.40
	6	66.1	9.58	80.4	10.82	90.7	12.47	94.1	13.28	98.0	13.90	99.5	13.95	103.3	14.50
	8	66.1	9.81	80.4	11.09	90.7	13.14	94.1	13.95	97.1	14.35	98.4	14.02	102.2	14.65
	10	66.1	10.01	80.4	11.35	90.7	13.66	94.1	14.43	96.1	14.45	98.1	14.45	100.9	15.07
	12	66.1	10.19	80.4	11.58	90.7	13.95	93.1	14.60	94.8	14.83	97.3	14.71	99.9	15.16
	14	66.1	10.39	80.4	11.82	90.1	14.02	92.3	14.67	93.6	14.97	96.6	14.96	98.6	15.51
	16	66.1	10.57	80.4	12.08	89.1	14.41	90.7	14.96	92.4	15.27	96.0	15.31	97.6	15.75
	18	66.1	10.77	80.4	12.34	87.7	14.63	89.2	15.16	91.2	15.69	95.3	15.84	96.7	15.98
	20	66.1	11.01	80.4	13.19	86.8	15.39	87.9	15.92	90.1	16.45	94.6	16.60	95.8	16.77
	21	66.1	11.30	80.4	13.69	86.4	15.77	88.1	16.30	88.9	16.83	93.9	17.01	94.9	17.15
	23	66.1	12.12	80.4	14.74	84.8	16.53	86.2	17.06	87.7	17.59	93.2	17.77	94.0	17.94
	25	66.1	12.94	80.4	15.86	83.5	17.29	84.9	17.82	86.5	18.38	92.5	18.56	93.1	18.73
	27	66.1	13.82	80.4	17.03	82.4	18.05	83.7	18.97	85.3	19.14	91.8	19.35	92.2	19.55
	29	66.1	14.75	80.4	18.26	81.1	18.81	82.5	19.99	84.1	19.93	91.1	20.14	91.3	20.34
	31	66.1	15.75	77.6	19.37	79.9	19.60	81.5	20.98	82.9	20.69	90.5	20.93	90.3	21.16
	33	66.1	16.77	76.3	20.13	78.7	20.36	80.1	22.13	81.8	21.49	89.8	21.72	89.4	21.96
	35	66.1	17.88	75.0	20.89	77.5	21.16	78.7	22.16	80.6	22.28	89.1	22.54	88.5	22.77
	37	66.1	19.03	73.9	21.83	76.3	21.95	77.8	22.51	79.4	23.10	88.4	23.36	87.6	23.62
	39	66.1	20.26	72.6	22.70	75.0	22.80	76.5	23.30	78.7	23.89	87.7	24.15	86.7	24.44
	41	66.1	21.32	71.8	23.56	74.2	23.66	75.3	24.08	76.6	24.55	79.0	24.80	85.8	25.11
43	66.1	22.16	71.3	24.43	73.8	25.18	74.1	25.54	75.8	25.81	77.5	26.02	84.9	26.27	
45	66.1	23.00	70.9	25.52	73.0	26.26	72.9	26.77	74.7	27.03	75.4	27.20	83.9	27.77	
48	66.1	26.06	70.4	26.73	72.2	27.39	71.7	28.06	73.6	28.72	73.3	29.39	83.0	30.05	
50	66.1	29.12	68.3	29.78	70.7	30.45	70.4	31.11	72.3	31.78	68.9	32.44	82.1	33.11	
52	66.1	32.18	67.2	32.84	69.7	33.51	69.2	34.17	71.1	34.84	65.6	35.50	81.2	36.17	
54	66.1	35.24	66.2	35.90	68.7	36.56	68.0	37.23	69.9	37.89	62.4	38.56	80.3	39.22	
120%	-5	61.8	8.57	71.7	9.27	83.4	10.73	90.8	12.06	95.1	12.85	97.2	13.95	99.3	14.33
	-2	61.8	8.65	71.7	9.38	83.4	10.85	90.8	12.14	95.1	13.01	97.2	14.07	99.3	14.38
	0	61.8	8.73	71.7	9.45	83.4	10.99	90.8	12.17	95.1	13.14	97.2	14.16	99.3	14.42
	2	61.8	8.75	71.7	9.56	83.4	11.08	90.8	12.30	95.1	13.19	97.2	14.27	99.3	14.44
	4	61.8	8.84	71.7	9.70	83.4	11.26	90.8	12.42	95.1	13.38	97.2	14.30	99.3	14.49
	6	61.8	8.93	71.7	9.78	83.4	11.41	90.8	12.58	95.1	13.54	97.2	14.42	99.3	14.53
	8	61.8	9.01	71.7	9.89	83.4	11.59	90.8	12.75	95.1	13.69	97.2	14.47	99.3	14.60
	10	61.8	9.12	71.7	10.04	83.4	11.70	90.8	13.01	95.1	13.70	97.2	14.51	99.3	14.67
	12	61.8	9.30	71.7	10.25	83.4	11.97	90.8	13.27	93.8	13.76	95.9	14.43	98.0	14.77
	14	61.8	9.47	71.7	10.48	83.4	12.23	90.8	13.56	92.4	13.85	94.8	14.65	96.9	14.95
	16	61.8	9.65	71.7	10.71	83.4	12.49	90.6	13.76	91.4	14.07	93.5	14.91	95.6	15.18
	18	61.8	9.82	71.7	10.95	83.4	12.96	88.8	14.18	90.0	14.45	92.2	15.26	94.6	15.41
	20	61.8	10.03	71.7	11.41	83.4	14.07	87.9	14.94	89.0	15.21	91.1	16.02	93.2	16.17
	21	61.8	10.12	71.7	11.85	83.4	14.63	86.3	15.86	88.2	15.59	90.6	16.40	92.7	16.57
	23	61.8	10.82	71.7	12.79	83.4	15.77	84.5	17.12	87.1	16.35	89.2	17.19	91.4	17.34
	25	61.8	11.55	71.7	13.75	82.1	16.53	83.5	17.86	85.8	17.12	88.2	17.95	90.3	18.12
	27	61.8	12.34	71.7	14.78	81.1	17.26	82.2	19.03	84.7	17.90	86.8	18.74	89.0	18.91
	29	61.8	13.16	71.7	15.86	79.7	18.02	80.8	19.83	83.4	18.66	85.5	19.53	87.9	19.70
	31	61.8	14.03	71.7	17.00	78.5	18.81	79.7	20.81	82.3	19.45	84.5	20.32	86.6	20.52
	33	61.8	14.94	71.7	18.20	77.3	19.57	78.5	21.70	81.0	20.21	83.1	21.11	85.3	21.31
	35	61.8	15.90	71.7	19.48	76.1	20.33	77.1	21.99	79.9	21.00	82.1	21.90	84.2	22.13
	37	61.8	16.93	71.7	20.83	74.9	21.12	76.1	22.11	77.8	22.25	80.7	22.69	82.9	22.95
	39	61.8	18.01	71.5	22.06	73.6	21.88	74.8	22.24	76.5	22.58	79.7	23.50	81.8	23.74
	41	61.8	19.00	70.9	22.22	73.0	22.65	74.1	23.29	75.2	23.37	77.6	24.29	79.5	24.55
43	61.8	19.84	70.5	22.39	72.5	23.29	73.5	23.81	74.6	24.16	76.2	25.08	78.3	25.35	
45	61.8	20.67	70.1	22.61	71.8	23.75	72.8	24.64	73.9	24.95	74.7	25.88	77.7	26.16	
48	61.8	23.71	69.7	24.37	71.1	25.03	72.1	25.69	73.3	26.34	73.2	27.00	76.8	27.66	
50	61.8	26.74	69.3	27.40	70.3	28.06	71.2	28.72	72.1	29.38	71.6	30.04	75.1	30.70	
52	61.8	29.77	68.9	30.43	69.6	31.09	70.5	31.75	71.3	32.41	70.1	33.07	73.8	33.73	
54	61.8	32.81	68.5	33.47	68.9	34.13	69.7	34.79	70.4	35.45	68.6	36.11	72.6	36.77	

**Abbreviations:**

CR: Combination ratio

TC: Total capacity (kW)

PI: Power input (compressor + outdoor fan motor) (kW)

**Notes:**

1. Shaded cells indicate rating condition.

Table continued on next page ...

Table 2-8.10: 26HP cooling capacity (continued)

CR	Outdoor air temp. (°CDB)	Indoor air temp. (°C DB/WD)													
		20.8/14		23.3/16		25.8/18		27/19		28.2/20		30.7/22		32/24	
		TC	PI	TC	PI	TC	PI	TC	PI	TC	PI	TC	PI	TC	PI
		kW	kW	kW	kW	kW	kW	kW	kW	kW	kW	kW	kW	kW	kW
110%	-5	57.1	7.48	65.9	8.44	79.8	10.03	82.3	11.28	88.7	12.40	95.4	12.90	97.5	13.75
	-2	57.1	7.63	65.9	8.56	79.8	10.12	82.3	11.40	88.7	12.50	95.4	13.03	97.5	13.82
	0	57.1	7.70	65.9	8.62	79.8	10.20	82.3	11.47	88.7	12.65	95.4	13.16	97.5	13.99
	2	57.1	7.87	65.9	8.71	79.8	10.38	82.3	11.61	88.7	12.79	95.4	13.36	97.5	14.16
	4	57.1	8.03	65.9	8.82	79.8	10.49	82.3	11.76	88.7	12.99	95.4	13.55	97.5	14.29
	6	57.1	8.11	65.9	8.93	79.8	10.60	82.3	11.96	88.7	13.14	95.4	13.70	97.5	14.51
	8	57.1	8.18	65.9	9.08	79.8	10.74	82.3	12.09	88.7	13.30	95.4	13.79	97.5	14.67
	10	57.1	8.28	65.9	9.22	79.8	10.90	82.3	12.31	88.7	13.52	95.4	13.89	97.5	14.79
	12	57.1	8.46	65.9	9.42	79.8	11.14	82.3	12.57	88.7	13.78	94.3	14.10	96.2	14.98
	14	57.1	8.60	65.9	9.60	79.8	11.37	82.3	12.80	88.7	14.05	93.0	14.22	95.1	15.09
	16	57.1	8.75	65.9	9.80	79.8	11.61	82.3	13.07	88.7	14.34	91.9	14.40	93.8	15.26
	18	57.1	8.92	65.9	10.01	79.8	11.87	82.3	13.45	88.7	15.04	90.6	15.16	92.7	15.74
	20	57.1	9.10	65.9	10.24	79.8	12.63	82.3	14.50	87.4	15.80	89.5	15.92	91.4	16.50
	21	57.1	9.19	65.9	10.57	79.8	13.13	82.3	15.64	86.9	16.18	88.7	16.30	90.8	16.88
	23	57.1	9.63	65.9	11.39	79.8	14.15	82.3	16.64	85.5	16.91	87.7	17.09	89.5	17.67
	25	57.1	10.27	65.9	12.23	79.8	15.20	82.3	17.76	84.5	17.67	86.3	17.85	88.4	18.43
	27	57.1	10.94	65.9	13.14	79.8	16.35	81.3	18.62	83.1	18.44	85.3	18.61	87.1	19.22
	29	57.1	11.67	65.9	14.08	79.8	17.54	79.8	19.70	82.1	19.22	83.9	19.40	86.1	20.01
	31	57.1	12.43	65.9	15.07	79.8	18.80	78.3	20.79	80.7	19.99	82.9	20.16	84.7	20.80
	33	57.1	13.23	65.9	16.13	79.8	19.89	77.9	21.59	79.7	20.75	81.5	20.95	83.7	21.59
	35	57.1	14.07	65.9	17.24	75.5	20.65	75.8	21.86	78.3	21.54	80.2	21.74	82.3	22.38
	37	57.1	15.41	65.9	18.41	73.6	21.44	74.9	21.96	77.0	22.30	79.1	22.53	81.0	23.17
	39	57.1	16.72	65.9	19.67	72.3	22.20	73.5	22.75	75.7	23.09	77.8	23.32	79.9	23.99
	41	57.1	18.04	65.9	19.83	71.0	22.36	72.8	22.92	74.4	23.25	75.3	23.59	77.6	24.16
43	57.1	19.35	65.9	20.10	69.7	22.53	72.0	23.08	73.2	23.41	74.7	24.21	76.4	24.65	
45	57.1	20.45	65.9	20.81	68.3	22.99	70.7	23.56	71.9	23.89	72.7	24.74	74.7	25.46	
48	57.1	23.46	65.9	24.12	67.0	24.78	69.8	25.43	70.7	26.09	71.9	26.74	73.1	27.40	
50	57.1	26.48	64.4	27.14	65.7	27.79	68.7	28.45	69.4	29.10	70.3	29.76	71.5	30.41	
52	57.1	29.50	63.0	30.15	64.4	30.81	67.7	31.46	68.2	32.12	68.9	32.77	69.9	33.43	
54	57.1	32.51	61.5	33.17	63.0	33.82	66.6	34.48	66.9	35.14	67.5	35.79	68.2	36.45	
100%	-5	51.2	7.69	60.1	8.37	72.0	9.23	73.0	10.84	79.2	10.58	91.0	11.72	93.8	12.92
	-2	51.2	7.79	60.1	8.48	72.0	9.42	73.0	10.92	79.2	10.74	91.0	11.87	93.8	13.01
	0	51.2	7.88	60.1	8.59	72.0	9.58	73.0	11.09	79.2	10.84	91.0	12.09	93.8	13.16
	2	51.2	7.99	60.1	8.70	72.0	9.79	73.0	11.19	79.2	10.97	91.0	12.28	93.8	13.38
	4	51.2	8.07	60.1	8.85	72.0	9.92	73.0	11.36	79.2	11.12	91.0	12.41	93.8	13.53
	6	51.2	8.24	60.1	8.97	72.0	10.09	73.0	11.60	79.2	11.29	91.0	12.60	93.8	13.74
	8	51.2	8.37	60.1	9.16	72.0	10.28	73.0	11.81	79.2	11.49	91.0	12.82	93.8	13.98
	10	51.2	8.54	60.1	9.33	72.0	10.44	73.0	11.99	79.2	11.71	91.0	13.05	93.8	14.18
	12	51.2	8.71	60.1	9.53	72.0	10.84	73.0	12.23	79.2	11.94	91.0	13.31	92.4	14.30
	14	51.2	8.89	60.1	9.74	72.0	11.34	73.0	13.01	79.2	12.17	91.0	13.59	91.4	14.48
	16	51.2	9.06	60.1	9.97	72.0	11.62	73.0	13.34	79.2	12.44	88.3	13.77	90.1	14.65
	18	51.2	9.23	60.1	10.17	72.0	12.06	73.0	13.86	79.2	12.70	87.2	14.26	89.1	15.02
	20	51.2	9.44	60.1	10.52	72.0	13.07	73.0	14.80	79.2	13.65	85.9	14.99	87.8	15.77
	21	51.2	9.52	60.1	10.95	72.0	14.00	73.0	15.71	79.2	14.14	85.4	15.36	87.2	16.15
	23	51.2	10.19	60.1	11.82	72.0	15.06	73.0	16.79	79.2	15.21	84.4	16.11	85.9	16.90
	25	51.2	10.91	60.1	12.74	72.0	16.25	73.0	17.63	79.2	16.34	83.1	16.87	84.9	17.65
	27	51.2	11.66	60.1	13.70	72.0	17.21	73.0	18.69	79.2	17.53	81.8	17.62	83.6	18.44
	29	51.2	12.48	60.1	14.71	72.0	18.50	73.0	19.24	78.9	18.66	80.7	19.04	82.5	19.19
	31	51.2	13.34	60.1	15.78	72.0	19.78	73.0	19.59	77.8	19.41	79.4	19.73	81.2	19.97
	33	51.2	14.24	60.1	16.91	72.0	20.73	73.0	20.15	76.5	20.16	78.4	20.45	80.2	20.75
	35	51.2	15.17	60.1	18.13	72.0	21.15	73.0	21.47	75.2	21.50	77.1	21.72	78.9	21.93
	37	51.2	16.18	60.1	19.40	72.0	21.30	72.1	22.45	74.5	22.77	76.0	23.05	77.6	23.36
	39	51.2	17.22	60.1	20.73	72.0	21.69	71.1	23.32	73.5	23.71	74.7	24.19	76.5	24.38
	41	51.2	17.87	60.1	21.54	72.0	22.01	70.2	24.16	72.5	24.65	72.0	24.88	75.5	25.15
43	51.2	18.51	60.1	21.96	72.0	22.74	70.0	25.30	71.4	25.71	72.4	26.14	72.7	26.34	
45	51.2	19.37	60.1	22.57	72.0	24.17	69.5	26.91	70.4	28.40	71.8	29.82	71.5	30.40	
48	51.2	22.33	60.1	24.05	72.0	25.77	68.7	28.99	69.4	30.70	70.2	32.42	70.5	34.14	
50	51.2	25.29	60.1	27.01	72.0	28.73	68.1	30.45	68.4	32.16	69.1	33.88	69.4	35.60	
52	51.2	28.26	60.1	29.97	72.0	31.69	67.5	33.41	67.4	35.13	68.0	36.84	68.3	38.56	
54	51.2	31.22	60.1	32.94	72.0	34.65	66.9	36.37	66.4	38.09	66.9	39.81	67.3	41.53	

Abbreviations:  
 CR: Combination ratio  
 TC: Total capacity (kW)  
 PI: Power input (compressor + outdoor fan motor) (kW)

Notes:  
 1. Shaded cells indicate rating condition.

Table continued on next page ...

Table 2-8.10: 26HP cooling capacity (continued)

CR	Outdoor air temp. (°CDB)	Indoor air temp. (°C DB/WD)													
		20.8/14		23.3/16		25.8/18		27/19		28.2/20		30.7/22		32/24	
		TC kW	PI kW	TC kW	PI kW	TC kW	PI kW	TC kW	PI kW	TC kW	PI kW	TC kW	PI kW	TC kW	PI kW
90%	-5	44.5	6.15	53.1	6.70	61.7	7.39	65.9	8.67	71.4	8.47	81.4	9.38	87.4	10.34
	-2	44.5	6.23	53.1	6.78	61.7	7.54	65.9	8.74	71.4	8.59	81.4	9.50	87.4	10.41
	0	44.5	6.30	53.1	6.87	61.7	7.66	65.9	8.87	71.4	8.67	81.4	9.67	87.4	10.53
	2	44.5	6.39	53.1	6.96	61.7	7.84	65.9	8.95	71.4	8.78	81.4	9.82	87.4	10.70
	4	44.5	6.46	53.1	7.08	61.7	7.94	65.9	9.08	71.4	8.90	81.4	9.93	87.4	10.82
	6	44.5	6.60	53.1	7.18	61.7	8.07	65.9	9.28	71.4	9.03	81.4	10.08	87.4	10.99
	8	44.5	6.70	53.1	7.33	61.7	8.22	65.9	9.45	71.4	9.19	81.4	10.25	87.4	11.18
	10	44.5	6.83	53.1	7.46	61.7	8.35	65.9	9.59	71.4	9.37	81.4	10.44	87.4	11.35
	12	44.5	6.97	53.1	7.63	61.7	8.67	65.9	9.78	71.4	9.56	81.4	10.65	87.4	11.44
	14	44.5	7.11	53.1	7.79	61.7	9.08	65.9	10.41	71.4	9.74	81.4	10.88	87.4	11.58
	16	44.5	7.25	53.1	7.97	61.7	9.30	65.9	10.67	71.4	9.95	81.4	11.02	87.4	11.72
	18	44.5	7.39	53.1	8.14	61.7	9.65	65.9	11.09	71.4	10.16	81.4	11.41	87.4	12.02
	20	44.5	7.55	53.1	8.41	61.7	10.46	65.9	11.84	71.4	10.92	81.4	11.99	87.4	12.62
	21	44.5	7.62	53.1	8.76	61.7	11.20	65.9	12.56	71.4	11.31	81.4	12.29	87.4	12.92
	23	44.5	8.15	53.1	9.46	61.7	12.05	65.9	13.43	71.4	12.17	81.4	12.89	87.4	13.52
	25	44.5	8.73	53.1	10.20	61.7	13.00	65.9	14.10	71.4	13.07	81.4	13.49	87.4	14.12
	27	44.5	9.33	53.1	10.96	61.7	13.77	65.9	14.95	71.4	14.02	81.4	14.09	87.4	14.75
	29	44.5	9.98	53.1	11.77	61.7	14.80	65.9	15.39	71.4	14.92	81.4	15.24	87.4	15.35
	31	44.5	10.67	53.1	12.63	61.7	15.83	65.9	15.67	71.4	15.53	81.4	15.78	87.4	15.98
	33	44.5	11.39	53.1	13.53	61.7	16.58	65.9	16.12	71.4	16.13	81.4	16.36	87.4	16.60
	35	44.5	12.13	53.1	14.50	61.7	16.92	65.9	17.18	71.4	17.20	81.4	17.38	87.4	17.55
37	44.5	12.94	53.1	15.52	61.7	17.04	65.9	17.94	71.4	18.21	81.4	18.44	87.4	18.69	
39	44.5	13.78	53.1	16.59	61.7	17.35	65.9	18.24	71.4	18.97	81.4	19.35	87.4	19.51	
41	44.5	14.29	53.1	17.23	61.7	17.61	65.9	18.58	71.4	19.72	81.4	19.91	87.4	20.12	
43	44.5	14.81	53.1	17.57	61.7	18.19	65.9	18.93	71.4	20.56	81.4	20.92	87.4	21.07	
45	44.5	15.49	53.1	18.06	61.7	19.33	65.9	19.26	71.4	21.00	81.4	21.80	87.4	22.25	
48	44.5	17.86	53.1	18.72	61.7	19.58	65.9	20.44	71.4	21.30	81.4	22.16	87.4	23.02	
50	44.5	20.24	53.1	21.09	61.7	21.95	65.9	22.81	71.4	23.67	81.4	24.53	87.4	25.39	
52	44.5	22.61	53.1	23.46	61.7	24.32	65.9	25.18	71.4	26.04	81.4	26.90	87.4	27.76	
54	44.5	24.98	53.1	25.83	61.7	26.69	65.9	27.55	71.4	28.41	81.4	29.27	87.4	30.13	
80%	-5	39.6	4.71	47.2	4.86	54.8	5.65	58.8	5.27	63.9	7.02	72.7	8.07	77.9	9.24
	-2	39.6	4.77	47.2	4.92	54.8	5.73	58.8	5.29	63.9	7.10	72.7	8.15	77.9	9.33
	0	39.6	4.82	47.2	4.98	54.8	5.82	58.8	5.40	63.9	7.19	72.7	8.24	77.9	9.40
	2	39.6	4.89	47.2	5.05	54.8	5.89	58.8	5.64	63.9	7.31	72.7	8.41	77.9	9.54
	4	39.6	4.94	47.2	5.13	54.8	5.99	58.8	5.65	63.9	7.40	72.7	8.54	77.9	9.68
	6	39.6	5.05	47.2	5.23	54.8	6.11	58.8	5.81	63.9	7.53	72.7	8.68	77.9	9.84
	8	39.6	5.13	47.2	5.34	54.8	6.24	58.8	6.03	63.9	7.66	72.7	8.84	77.9	9.94
	10	39.6	5.23	47.2	5.46	54.8	6.36	58.8	6.10	63.9	7.84	72.7	8.95	77.9	10.10
	12	39.6	5.34	47.2	5.56	54.8	6.49	58.8	6.25	63.9	7.98	72.7	9.12	77.9	10.28
	14	39.6	5.44	47.2	5.67	54.8	6.61	58.8	6.38	63.9	8.13	72.7	9.29	77.9	10.47
	16	39.6	5.55	47.2	5.77	54.8	6.76	58.8	6.53	63.9	8.29	72.7	9.47	77.9	10.66
	18	39.6	5.65	47.2	5.90	54.8	6.88	58.8	6.76	63.9	8.46	72.7	9.66	77.9	10.99
	20	39.6	5.78	47.2	6.04	54.8	7.03	58.8	7.36	63.9	8.77	72.7	10.39	77.9	11.51
	21	39.6	5.83	47.2	6.08	54.8	7.15	58.8	7.91	63.9	9.08	72.7	10.76	77.9	11.78
	23	39.6	6.24	47.2	6.33	54.8	7.69	58.8	8.57	63.9	9.74	72.7	11.55	77.9	12.31
	25	39.6	6.68	47.2	6.79	54.8	8.25	58.8	9.22	63.9	10.41	72.7	12.36	77.9	12.85
	27	39.6	7.14	47.2	7.24	54.8	8.83	58.8	10.11	63.9	11.13	72.7	13.23	77.9	13.39
	29	39.6	7.64	47.2	7.74	54.8	9.45	58.8	10.53	63.9	11.90	72.7	13.83	77.9	13.93
	31	39.6	8.17	47.2	8.26	54.8	10.10	58.8	11.26	63.9	12.69	72.7	14.37	77.9	14.49
	33	39.6	8.72	47.2	8.80	54.8	10.80	58.8	11.99	63.9	13.54	72.7	14.93	77.9	15.03
	35	39.6	9.28	47.2	9.38	54.8	11.53	58.8	13.14	63.9	14.43	72.7	15.47	77.9	15.59
37	39.6	9.91	47.2	9.98	54.8	12.29	58.8	13.74	63.9	15.38	72.7	16.01	77.9	16.13	
39	39.6	10.54	47.2	10.64	54.8	13.10	58.8	14.28	63.9	16.40	72.7	16.57	77.9	16.69	
41	39.6	10.94	47.2	11.14	54.8	13.59	58.8	14.79	63.9	16.48	72.7	16.99	77.9	17.08	
43	39.6	11.33	47.2	11.63	54.8	14.09	58.8	15.49	63.9	16.83	72.7	17.21	77.9	17.35	
45	39.6	11.86	47.2	12.22	54.8	14.68	58.8	16.47	63.9	17.30	72.7	17.39	77.9	17.58	
48	39.6	13.67	47.2	14.72	54.8	15.77	58.8	16.83	63.9	17.88	72.7	18.93	77.9	19.98	
50	39.6	15.48	47.2	16.54	54.8	17.59	58.8	18.64	63.9	19.69	72.7	20.74	77.9	21.79	
52	39.6	17.30	47.2	18.35	54.8	19.40	58.8	20.45	63.9	21.50	72.7	22.56	77.9	23.61	
54	39.6	19.11	47.2	20.16	54.8	21.22	58.8	22.27	63.9	23.32	72.7	24.37	77.9	25.42	

**Abbreviations:**

CR: Combination ratio

TC: Total capacity (kW)

PI: Power input (compressor + outdoor fan motor) (kW)

**Notes:**

1. Shaded cells indicate rating condition.

Table continued on next page ...



Table 2-8.10: 26HP cooling capacity (continued)

CR	Outdoor air temp. (°CDB)	Indoor air temp. (°C DB/WD)													
		20.8/14		23.3/16		25.8/18		27/19		28.2/20		30.7/22		32/24	
		TC	PI	TC	PI	TC	PI	TC	PI	TC	PI	TC	PI	TC	PI
		kW	kW	kW	kW	kW	kW	kW	kW	kW	kW	kW	kW	kW	kW
70%	-5	34.7	3.82	41.5	3.94	48.1	4.58	51.5	5.29	56.0	5.69	63.6	6.54	68.4	7.49
	-2	34.7	3.87	41.5	3.99	48.1	4.65	51.5	5.32	56.0	5.76	63.6	6.61	68.4	7.57
	0	34.7	3.91	41.5	4.04	48.1	4.72	51.5	5.34	56.0	5.83	63.6	6.68	68.4	7.63
	2	34.7	3.97	41.5	4.09	48.1	4.77	51.5	5.49	56.0	5.93	63.6	6.82	68.4	7.74
	4	34.7	4.01	41.5	4.16	48.1	4.86	51.5	5.58	56.0	6.00	63.6	6.93	68.4	7.85
	6	34.7	4.09	41.5	4.24	48.1	4.96	51.5	5.68	56.0	6.11	63.6	7.04	68.4	7.98
	8	34.7	4.16	41.5	4.33	48.1	5.06	51.5	5.78	56.0	6.21	63.6	7.17	68.4	8.06
	10	34.7	4.24	41.5	4.43	48.1	5.16	51.5	5.88	56.0	6.35	63.6	7.26	68.4	8.19
	12	34.7	4.33	41.5	4.51	48.1	5.26	51.5	5.99	56.0	6.47	63.6	7.40	68.4	8.34
	14	34.7	4.41	41.5	4.59	48.1	5.36	51.5	6.18	56.0	6.59	63.6	7.53	68.4	8.49
	16	34.7	4.50	41.5	4.68	48.1	5.48	51.5	6.20	56.0	6.72	63.6	7.68	68.4	8.64
	18	34.7	4.58	41.5	4.78	48.1	5.58	51.5	6.22	56.0	6.86	63.6	7.83	68.4	8.91
	20	34.7	4.69	41.5	4.89	48.1	5.70	51.5	6.63	56.0	7.11	63.6	8.42	68.4	9.33
	21	34.7	4.73	41.5	4.93	48.1	5.80	51.5	7.10	56.0	7.36	63.6	8.72	68.4	9.55
	23	34.7	5.06	41.5	5.13	48.1	6.24	51.5	7.48	56.0	7.90	63.6	9.36	68.4	9.99
	25	34.7	5.42	41.5	5.50	48.1	6.69	51.5	8.04	56.0	8.44	63.6	10.02	68.4	10.42
	27	34.7	5.79	41.5	5.87	48.1	7.16	51.5	8.61	56.0	9.03	63.6	10.72	68.4	10.86
	29	34.7	6.19	41.5	6.28	48.1	7.67	51.5	9.01	56.0	9.65	63.6	11.21	68.4	11.30
	31	34.7	6.62	41.5	6.70	48.1	8.19	51.5	9.61	56.0	10.29	63.6	11.65	68.4	11.75
	33	34.7	7.07	41.5	7.13	48.1	8.76	51.5	10.19	56.0	10.98	63.6	12.10	68.4	12.19
	35	34.7	7.53	41.5	7.60	48.1	9.35	51.5	10.66	56.0	11.70	63.6	12.54	68.4	12.64
	37	34.7	8.03	41.5	8.09	48.1	9.97	51.5	11.14	56.0	12.47	63.6	12.98	68.4	13.08
	39	34.7	8.55	41.5	8.63	48.1	10.62	51.5	11.58	56.0	13.30	63.6	13.43	68.4	13.53
	41	34.7	8.87	41.5	9.03	48.1	11.02	51.5	11.99	56.0	13.36	63.6	13.77	68.4	13.85
43	34.7	9.19	41.5	9.43	48.1	11.42	51.5	12.56	56.0	13.65	63.6	13.95	68.4	14.07	
45	34.7	9.61	41.5	9.91	48.1	11.90	51.5	13.36	56.0	14.02	63.6	15.16	68.4	15.81	
48	34.7	11.09	41.5	12.15	48.1	13.22	51.5	14.28	56.0	15.35	63.6	16.41	68.4	17.48	
50	34.7	12.56	41.5	13.62	48.1	14.69	51.5	15.75	56.0	16.82	63.6	17.88	68.4	18.95	
52	34.7	14.03	41.5	15.09	48.1	16.16	51.5	17.22	56.0	18.29	63.6	19.36	68.4	20.42	
54	34.7	15.50	41.5	16.56	48.1	17.63	51.5	18.69	56.0	19.76	63.6	20.83	68.4	21.89	
60%	-5	29.6	3.08	35.4	3.35	41.1	3.69	44.0	4.73	47.8	5.16	54.4	5.73	58.4	6.57
	-2	29.6	3.12	35.4	3.39	41.1	3.75	44.0	4.79	47.8	5.24	54.4	5.82	58.4	6.62
	0	29.6	3.15	35.4	3.44	41.1	3.81	44.0	4.85	47.8	5.31	54.4	5.90	58.4	6.70
	2	29.6	3.20	35.4	3.48	41.1	3.85	44.0	4.95	47.8	5.39	54.4	6.02	58.4	6.79
	4	29.6	3.23	35.4	3.54	41.1	3.92	44.0	5.01	47.8	5.50	54.4	6.12	58.4	6.88
	6	29.6	3.30	35.4	3.59	41.1	4.00	44.0	5.12	47.8	5.61	54.4	6.24	58.4	7.05
	8	29.6	3.35	35.4	3.67	41.1	4.08	44.0	5.22	47.8	5.72	54.4	6.36	58.4	7.16
	10	29.6	3.42	35.4	3.73	41.1	4.16	44.0	5.36	47.8	5.82	54.4	6.48	58.4	7.14
	12	29.6	3.49	35.4	3.81	41.1	4.24	44.0	5.46	47.8	5.93	54.4	6.60	58.4	7.26
	14	29.6	3.56	35.4	3.90	41.1	4.32	44.0	5.55	47.8	6.03	54.4	6.72	58.4	7.38
	16	29.6	3.63	35.4	3.99	41.1	4.42	44.0	5.65	47.8	6.15	54.4	6.84	58.4	7.52
	18	29.6	3.70	35.4	4.07	41.1	4.50	44.0	5.74	47.8	6.27	54.4	6.95	58.4	7.67
	20	29.6	3.78	35.4	4.21	41.1	4.59	44.0	5.86	47.8	6.31	54.4	7.10	58.4	7.81
	21	29.6	3.81	35.4	4.38	41.1	4.68	44.0	6.29	47.8	6.43	54.4	7.17	58.4	7.98
	23	29.6	4.08	35.4	4.73	41.1	5.03	44.0	6.71	47.8	6.84	54.4	7.45	58.4	8.05
	25	29.6	4.37	35.4	5.10	41.1	5.39	44.0	7.08	47.8	7.29	54.4	7.95	58.4	8.57
	27	29.6	4.67	35.4	5.48	41.1	5.77	44.0	7.43	47.8	7.76	54.4	8.47	58.4	9.14
	29	29.6	4.99	35.4	5.89	41.1	6.18	44.0	7.75	47.8	8.26	54.4	9.04	58.4	9.75
	31	29.6	5.34	35.4	6.32	41.1	6.60	44.0	8.17	47.8	8.78	54.4	9.61	58.4	10.42
	33	29.6	5.70	35.4	6.77	41.1	7.06	44.0	8.52	47.8	9.33	54.4	10.23	58.4	11.08
	35	29.6	6.07	35.4	7.25	41.1	7.53	44.0	8.59	47.8	9.90	54.4	10.90	58.4	11.82
	37	29.6	6.48	35.4	7.76	41.1	8.04	44.0	8.98	47.8	10.52	54.4	11.58	58.4	12.58
	39	29.6	6.89	35.4	8.30	41.1	8.56	44.0	9.33	47.8	10.90	54.4	12.29	58.4	13.39
	41	29.6	7.15	35.4	8.62	41.1	8.89	44.0	9.67	47.8	11.28	54.4	12.87	58.4	14.24
43	29.6	7.41	35.4	8.79	41.1	9.21	44.0	10.13	47.8	11.84	54.4	13.42	58.4	14.89	
45	29.6	8.01	35.4	9.89	41.1	10.46	44.0	11.03	47.8	12.80	54.4	14.02	58.4	15.53	
48	29.6	9.19	35.4	10.31	41.1	11.43	44.0	12.55	47.8	13.66	54.4	14.78	58.4	15.90	
50	29.6	10.38	35.4	11.50	41.1	12.61	44.0	13.73	47.8	14.85	54.4	15.97	58.4	17.08	
52	29.6	11.57	35.4	12.68	41.1	13.80	44.0	14.92	47.8	16.03	54.4	17.15	58.4	18.27	
54	29.6	12.75	35.4	13.87	41.1	14.99	44.0	16.10	47.8	17.22	54.4	18.34	58.4	19.45	

Abbreviations:

CR: Combination ratio

TC: Total capacity (kW)

PI: Power input (compressor + outdoor fan motor) (kW)

Notes:

1. Shaded cells indicate rating condition.

Table continued on next page ...

Table 2-8.10: 26HP cooling capacity (continued)

CR	Outdoor air temp. (°CDB)	Indoor air temp. (°C DB/WD)													
		20.8/14		23.3/16		25.8/18		27/19		28.2/20		30.7/22		32/24	
		TC kW	PI kW	TC kW	PI kW	TC kW	PI kW	TC kW	PI kW	TC kW	PI kW	TC kW	PI kW	TC kW	PI kW
50%	-5	24.9	2.55	29.8	2.77	34.5	3.06	36.9	4.20	40.0	4.35	45.5	4.95	49.0	5.34
	-2	24.9	2.58	29.8	2.81	34.5	3.10	36.9	4.30	40.0	4.43	45.5	5.02	49.0	5.41
	0	24.9	2.61	29.8	2.85	34.5	3.15	36.9	4.32	40.0	4.48	45.5	5.10	49.0	5.50
	2	24.9	2.65	29.8	2.88	34.5	3.19	36.9	4.33	40.0	4.56	45.5	5.12	49.0	5.61
	4	24.9	2.68	29.8	2.93	34.5	3.24	36.9	4.34	40.0	4.65	45.5	5.25	49.0	5.75
	6	24.9	2.73	29.8	2.97	34.5	3.31	36.9	4.38	40.0	4.74	45.5	5.33	49.0	5.92
	8	24.9	2.77	29.8	3.04	34.5	3.38	36.9	4.40	40.0	4.80	45.5	5.42	49.0	6.11
	10	24.9	2.83	29.8	3.09	34.5	3.45	36.9	4.36	40.0	4.94	45.5	5.56	49.0	6.20
	12	24.9	2.89	29.8	3.16	34.5	3.51	36.9	4.38	40.0	5.04	45.5	5.66	49.0	6.30
	14	24.9	2.95	29.8	3.23	34.5	3.58	36.9	4.40	40.0	5.11	45.5	5.76	49.0	6.42
	16	24.9	3.00	29.8	3.30	34.5	3.66	36.9	4.41	40.0	5.19	45.5	5.86	49.0	6.52
	18	24.9	3.06	29.8	3.37	34.5	3.73	36.9	4.43	40.0	5.29	45.5	5.95	49.0	6.65
	20	24.9	3.13	29.8	3.49	34.5	3.80	36.9	4.64	40.0	5.39	45.5	6.05	49.0	6.77
	21	24.9	3.16	29.8	3.63	34.5	3.87	36.9	4.88	40.0	5.44	45.5	6.13	49.0	6.84
	23	24.9	3.38	29.8	3.92	34.5	4.16	36.9	5.20	40.0	5.53	45.5	6.23	49.0	6.99
	25	24.9	3.62	29.8	4.22	34.5	4.47	36.9	5.54	40.0	5.71	45.5	6.55	49.0	7.46
	27	24.9	3.87	29.8	4.54	34.5	4.78	36.9	5.97	40.0	6.05	45.5	6.97	49.0	7.96
	29	24.9	4.13	29.8	4.88	34.5	5.12	36.9	6.15	40.0	6.45	45.5	7.41	49.0	8.47
	31	24.9	4.42	29.8	5.23	34.5	5.47	36.9	6.56	40.0	6.84	45.5	7.88	49.0	9.02
	33	24.9	4.72	29.8	5.60	34.5	5.85	36.9	6.91	40.0	7.26	45.5	8.38	49.0	9.59
35	24.9	5.03	29.8	6.01	34.5	6.24	36.9	7.12	40.0	7.68	45.5	8.89	49.0	10.18	
37	24.9	5.36	29.8	6.43	34.5	6.65	36.9	7.44	40.0	8.15	45.5	9.44	49.0	10.82	
39	24.9	5.71	29.8	6.87	34.5	7.09	36.9	7.73	40.0	8.65	45.5	10.01	49.0	11.49	
41	24.9	5.92	29.8	7.14	34.5	7.36	36.9	8.01	40.0	9.02	45.5	10.54	49.0	12.02	
43	24.9	6.13	29.8	7.28	34.5	7.63	36.9	8.53	40.0	9.25	45.5	11.07	49.0	12.56	
45	24.9	6.42	29.8	8.19	34.5	8.73	36.9	9.42	40.0	10.34	45.5	12.14	49.0	13.09	
48	24.9	7.54	29.8	8.61	34.5	9.68	36.9	10.74	40.0	11.81	45.5	12.88	49.0	13.95	
50	24.9	8.67	29.8	9.73	34.5	10.80	36.9	11.87	40.0	12.94	45.5	14.00	49.0	15.07	
52	24.9	9.79	29.8	10.86	34.5	11.93	36.9	12.99	40.0	14.06	45.5	15.13	49.0	16.19	
54	24.9	10.92	29.8	11.98	34.5	13.05	36.9	14.12	40.0	15.18	45.5	16.25	49.0	17.32	

**Abbreviations:**

CR: Combination ratio

TC: Total capacity (kW)

PI: Power input (compressor + outdoor fan motor) (kW)

**Notes:**

1. Shaded cells indicate rating condition.



# V6-i VRF 50/60Hz



Table 2-8.11: 28HP cooling capacity

CR	Outdoor air temp. (°CDB)	Indoor air temp. (°C DB/WD)													
		20.8/14		23.3/16		25.8/18		27/19		28.2/20		30.7/22		32/24	
		TC	PI	TC	PI	TC	PI	TC	PI	TC	PI	TC	PI	TC	PI
		kW	kW	kW	kW	kW	kW	kW	kW	kW	kW	kW	kW	kW	kW
130%	-5	71.1	10.30	86.4	11.55	97.5	12.45	100.3	13.52	107.3	14.43	110.2	15.69	111.1	15.79
	-2	71.1	10.30	86.4	11.79	97.5	12.45	101.2	13.60	107.3	14.43	110.2	15.89	111.1	15.95
	0	71.1	10.48	86.4	12.01	97.5	12.95	101.2	14.37	107.3	15.27	110.2	16.08	111.1	16.16
	2	71.1	10.67	86.4	12.04	97.5	13.43	101.2	15.21	107.3	15.44	110.2	16.20	111.1	16.40
	4	71.1	10.91	86.4	12.30	97.5	13.92	101.2	15.28	107.3	15.64	110.2	16.19	111.1	16.71
	6	71.1	11.12	86.4	12.56	97.5	14.48	101.2	15.41	105.4	16.13	107.0	16.19	111.1	16.83
	8	71.1	11.38	86.4	12.87	97.5	15.25	101.2	16.19	104.4	16.66	105.9	16.27	109.9	17.00
	10	71.1	11.62	86.4	13.17	97.5	15.86	101.2	16.75	103.4	16.77	105.5	16.77	108.5	17.49
	12	71.1	11.82	86.4	13.44	97.5	16.20	100.1	16.94	101.9	17.21	104.7	17.07	107.4	17.60
	14	71.1	12.06	86.4	13.72	96.9	16.27	99.3	17.03	100.7	17.37	103.9	17.36	106.0	18.00
	16	71.1	12.27	86.4	14.02	95.8	16.72	97.5	17.37	99.4	17.73	103.2	17.77	105.0	18.28
	18	71.1	12.50	86.4	14.33	94.3	16.98	95.9	17.60	98.1	18.21	102.4	18.38	104.0	18.55
	20	71.1	12.78	86.4	15.31	93.4	17.86	94.5	18.48	96.8	19.09	101.7	19.26	103.0	19.47
	21	71.1	13.11	86.4	15.89	92.9	18.30	94.8	18.92	95.6	19.54	101.0	19.74	102.1	19.91
	23	71.1	14.07	86.4	17.11	91.2	19.19	92.7	19.80	94.3	20.42	100.2	20.62	101.1	20.83
	25	71.1	15.02	86.4	18.41	89.8	20.07	91.3	20.69	93.0	21.34	99.5	21.54	100.1	21.74
	27	71.1	16.04	86.4	19.77	88.6	20.95	90.0	22.02	91.7	22.22	98.8	22.46	99.1	22.70
	29	71.1	17.12	86.4	21.19	87.2	21.84	88.8	23.20	90.5	23.14	98.0	23.38	98.1	23.61
	31	71.1	18.28	83.5	22.48	85.9	22.75	87.6	24.35	89.2	24.02	97.3	24.29	97.1	24.57
	33	71.1	19.47	82.0	23.37	84.6	23.64	86.1	25.68	87.9	24.94	96.5	25.21	96.2	25.48
	35	71.1	20.76	80.6	24.25	83.4	24.55	84.6	25.72	86.6	25.86	95.8	26.16	95.2	26.43
	37	71.1	22.09	79.5	25.34	82.1	25.47	83.6	26.12	85.4	26.81	95.1	27.11	94.2	27.42
	39	71.1	23.51	78.0	26.34	80.6	26.47	82.3	27.04	84.6	27.72	94.3	28.03	93.2	28.37
	41	71.1	24.75	77.2	27.35	79.8	27.46	81.0	27.95	82.3	28.50	84.9	28.79	92.2	29.14
	43	71.1	25.72	76.7	28.35	79.4	29.23	79.7	29.64	81.5	29.95	83.4	30.21	91.3	30.49
45	71.1	26.70	76.2	29.62	78.5	30.48	78.4	31.07	80.3	31.37	81.1	31.57	90.3	32.24	
48	71.1	30.25	75.7	31.02	77.7	31.79	77.1	32.56	79.1	33.34	78.8	34.11	89.3	34.88	
50	71.1	33.80	73.4	34.57	76.0	35.34	75.7	36.11	77.7	36.88	74.0	37.66	88.3	38.43	
52	71.1	37.35	72.3	38.12	75.0	38.89	74.4	39.66	76.4	40.43	70.6	41.21	87.3	41.98	
54	71.1	40.90	71.1	41.67	73.9	42.44	73.1	43.21	75.2	43.98	67.1	44.76	86.3	45.53	
120%	-5	66.5	9.94	77.2	10.76	89.7	12.45	97.6	14.00	102.2	14.91	104.5	16.19	106.8	16.64
	-2	66.5	10.04	77.2	10.89	89.7	12.59	97.6	14.09	102.2	15.10	104.5	16.33	106.8	16.70
	0	66.5	10.13	77.2	10.97	89.7	12.76	97.6	14.12	102.2	15.25	104.5	16.43	106.8	16.73
	2	66.5	10.16	77.2	11.10	89.7	12.86	97.6	14.27	102.2	15.31	104.5	16.56	106.8	16.77
	4	66.5	10.26	77.2	11.26	89.7	13.07	97.6	14.42	102.2	15.53	104.5	16.59	106.8	16.81
	6	66.5	10.37	77.2	11.36	89.7	13.24	97.6	14.60	102.2	15.71	104.5	16.73	106.8	16.87
	8	66.5	10.46	77.2	11.48	89.7	13.45	97.6	14.80	102.2	15.89	104.5	16.79	106.8	16.95
	10	66.5	10.59	77.2	11.65	89.7	13.59	97.6	15.10	102.2	15.90	104.5	16.84	106.8	17.03
	12	66.5	10.79	77.2	11.89	89.7	13.89	97.6	15.40	100.8	15.97	103.1	16.74	105.4	17.14
	14	66.5	11.00	77.2	12.16	89.7	14.20	97.6	15.74	99.4	16.08	102.0	17.01	104.2	17.35
	16	66.5	11.20	77.2	12.43	89.7	14.50	97.4	15.97	98.2	16.33	100.5	17.30	102.8	17.62
	18	66.5	11.40	77.2	12.71	89.7	15.05	95.5	16.45	96.8	16.78	99.1	17.71	101.7	17.88
	20	66.5	11.64	77.2	13.25	89.7	16.33	94.5	17.34	95.7	17.66	98.0	18.60	100.3	18.76
	21	66.5	11.74	77.2	13.76	89.7	16.98	92.8	18.41	94.8	18.10	97.4	19.04	99.7	19.24
	23	66.5	12.55	77.2	14.84	89.7	18.30	90.9	19.88	93.7	18.98	96.0	19.95	98.2	20.12
	25	66.5	13.40	77.2	15.96	88.3	19.18	89.8	20.73	92.2	19.87	94.8	20.83	97.1	21.04
	27	66.5	14.32	77.2	17.15	87.2	20.03	88.4	22.08	91.1	20.78	93.4	21.75	95.7	21.95
	29	66.5	15.27	77.2	18.41	85.7	20.91	86.9	23.02	89.7	21.66	92.0	22.67	94.5	22.87
	31	66.5	16.29	77.2	19.73	84.4	21.83	85.7	24.16	88.5	22.58	90.8	23.58	93.1	23.82
	33	66.5	17.34	77.2	21.12	83.2	22.71	84.4	25.18	87.1	23.46	89.4	24.50	91.7	24.74
	35	66.5	18.46	77.2	22.61	81.8	23.59	82.9	25.52	86.0	24.38	88.2	25.42	90.5	25.69
	37	66.5	19.65	77.2	24.17	80.6	24.51	81.8	25.67	83.7	25.82	86.8	26.33	89.1	26.64
	39	66.5	20.90	76.9	25.60	79.2	25.40	80.4	25.82	82.3	26.21	85.7	27.28	88.0	27.55
	41	66.5	22.06	76.3	25.79	78.5	26.29	79.7	27.03	80.8	27.13	83.4	28.19	85.5	28.49
	43	66.5	23.02	75.8	25.98	77.9	27.03	79.1	27.63	80.2	28.04	81.9	29.12	84.2	29.43
45	66.5	23.99	75.4	26.24	77.2	27.56	78.2	28.60	79.5	28.96	80.3	30.04	83.6	30.36	
48	66.5	27.52	75.0	28.28	76.5	29.05	77.5	29.81	78.9	30.58	78.8	31.34	82.5	32.11	
50	66.5	31.04	74.5	31.80	75.6	32.57	76.6	33.33	77.6	34.10	77.0	34.87	80.8	35.63	
52	66.5	34.56	74.1	35.32	74.8	36.09	75.8	36.86	76.6	37.62	75.4	38.39	79.4	39.15	
54	66.5	38.08	73.6	38.85	74.1	39.61	75.0	40.38	75.7	41.14	73.7	41.91	78.1	42.67	

Abbreviations:

CR: Combination ratio

TC: Total capacity (kW)

PI: Power input (compressor + outdoor fan motor) (kW)

Notes:

1. Shaded cells indicate rating condition.

Table continued on next page ...

Table 2-8.11: 28HP cooling capacity (continued)

CR	Outdoor air temp. (°CDB)	Indoor air temp. (°C DB/WD)													
		20.8/14		23.3/16		25.8/18		27/19		28.2/20		30.7/22		32/24	
		TC kW	PI kW	TC kW	PI kW	TC kW	PI kW	TC kW	PI kW	TC kW	PI kW	TC kW	PI kW	TC kW	PI kW
110%	-5	61.4	8.69	70.9	9.80	85.8	11.64	88.5	13.09	95.4	14.40	102.5	14.97	104.8	15.96
	-2	61.4	8.85	70.9	9.94	85.8	11.75	88.5	13.23	95.4	14.51	102.5	15.12	104.8	16.04
	0	61.4	8.94	70.9	10.00	85.8	11.84	88.5	13.32	95.4	14.68	102.5	15.28	104.8	16.24
	2	61.4	9.14	70.9	10.11	85.8	12.05	88.5	13.47	95.4	14.84	102.5	15.51	104.8	16.44
	4	61.4	9.32	70.9	10.23	85.8	12.18	88.5	13.65	95.4	15.08	102.5	15.73	104.8	16.59
	6	61.4	9.41	70.9	10.36	85.8	12.31	88.5	13.88	95.4	15.25	102.5	15.90	104.8	16.84
	8	61.4	9.50	70.9	10.54	85.8	12.46	88.5	14.03	95.4	15.43	102.5	16.01	104.8	17.02
	10	61.4	9.61	70.9	10.70	85.8	12.66	88.5	14.28	95.4	15.69	102.5	16.13	104.8	17.17
	12	61.4	9.82	70.9	10.94	85.8	12.93	88.5	14.59	95.4	16.00	101.4	16.37	103.4	17.39
	14	61.4	9.99	70.9	11.14	85.8	13.20	88.5	14.86	95.4	16.30	100.0	16.51	102.3	17.52
	16	61.4	10.16	70.9	11.38	85.8	13.47	88.5	15.17	95.4	16.64	98.8	16.71	100.8	17.71
	18	61.4	10.36	70.9	11.62	85.8	13.78	88.5	15.61	95.4	17.46	97.4	17.59	99.7	18.27
	20	61.4	10.56	70.9	11.89	85.8	14.66	88.5	16.83	94.0	18.34	96.3	18.48	98.3	19.15
	21	61.4	10.66	70.9	12.26	85.8	15.24	88.5	18.15	93.4	18.78	95.4	18.92	97.7	19.59
	23	61.4	11.17	70.9	13.21	85.8	16.43	88.5	19.32	92.0	19.63	94.3	19.83	96.3	20.51
	25	61.4	11.92	70.9	14.20	85.8	17.65	88.5	20.61	90.8	20.51	92.8	20.72	95.1	21.40
	27	61.4	12.70	70.9	15.25	85.8	18.97	87.4	21.61	89.4	21.40	91.7	21.60	93.7	22.31
	29	61.4	13.55	70.9	16.34	85.8	20.36	85.8	22.86	88.3	22.31	90.3	22.52	92.5	23.23
	31	61.4	14.43	70.9	17.49	85.8	21.82	84.2	24.13	86.8	23.20	89.1	23.40	91.1	24.15
	33	61.4	15.35	70.9	18.72	85.8	23.08	83.7	25.06	85.7	24.08	87.7	24.32	90.0	25.06
	35	61.4	16.33	70.9	20.01	81.1	23.96	81.5	25.37	84.2	25.00	86.2	25.23	88.5	25.98
	37	61.4	17.88	70.9	21.37	79.2	24.88	80.6	25.49	82.8	25.88	85.1	26.15	87.1	26.90
	39	61.4	19.41	70.9	22.83	77.8	25.76	79.1	26.41	81.4	26.80	83.7	27.07	86.0	27.85
	41	61.4	20.94	70.9	23.02	76.3	25.95	78.3	26.60	80.0	26.99	81.0	27.39	83.4	28.04
43	61.4	22.46	70.9	23.33	74.9	26.14	77.4	26.79	78.7	27.18	80.4	28.10	82.2	28.61	
45	61.4	23.73	70.9	24.15	73.5	26.68	76.1	27.34	77.4	27.73	78.2	28.72	80.3	29.56	
48	61.4	27.23	70.9	28.00	72.1	28.76	75.0	29.52	76.0	30.28	77.3	31.04	78.6	31.80	
50	61.4	30.74	69.3	31.50	70.6	32.26	73.9	33.02	74.7	33.78	75.6	34.54	76.9	35.30	
52	61.4	34.24	67.7	35.00	69.2	35.76	72.8	36.52	73.3	37.28	74.1	38.04	75.1	38.80	
54	61.4	37.74	66.1	38.50	67.8	39.26	71.7	40.02	72.0	40.78	72.6	41.54	73.4	42.30	
100%	-5	55.1	8.92	64.7	9.72	77.4	10.72	78.5	12.58	85.1	12.29	97.8	13.61	100.8	15.00
	-2	55.1	9.05	64.7	9.84	77.4	10.93	78.5	12.68	85.1	12.46	97.8	13.78	100.8	15.10
	0	55.1	9.15	64.7	9.97	77.4	11.12	78.5	12.87	85.1	12.58	97.8	14.03	100.8	15.28
	2	55.1	9.28	64.7	10.09	77.4	11.37	78.5	12.99	85.1	12.73	97.8	14.25	100.8	15.53
	4	55.1	9.37	64.7	10.27	77.4	11.52	78.5	13.18	85.1	12.91	97.8	14.40	100.8	15.70
	6	55.1	9.57	64.7	10.42	77.4	11.71	78.5	13.46	85.1	13.11	97.8	14.63	100.8	15.95
	8	55.1	9.72	64.7	10.64	77.4	11.93	78.5	13.70	85.1	13.33	97.8	14.88	100.8	16.22
	10	55.1	9.91	64.7	10.83	77.4	12.12	78.5	13.92	85.1	13.59	97.8	15.14	100.8	16.46
	12	55.1	10.12	64.7	11.06	77.4	12.58	78.5	14.19	85.1	13.86	97.8	15.45	99.4	16.59
	14	55.1	10.32	64.7	11.30	77.4	13.17	78.5	15.10	85.1	14.13	97.8	15.78	98.3	16.80
	16	55.1	10.52	64.7	11.57	77.4	13.49	78.5	15.48	85.1	14.43	94.9	15.98	96.9	17.00
	18	55.1	10.72	64.7	11.80	77.4	14.00	78.5	16.09	85.1	14.74	93.8	16.55	95.8	17.44
	20	55.1	10.95	64.7	12.21	77.4	15.17	78.5	17.18	85.1	15.84	92.4	17.39	94.4	18.31
	21	55.1	11.05	64.7	12.71	77.4	16.25	78.5	18.23	85.1	16.41	91.8	17.83	93.8	18.74
	23	55.1	11.83	64.7	13.72	77.4	17.48	78.5	19.48	85.1	17.66	90.7	18.70	92.4	19.62
	25	55.1	12.67	64.7	14.79	77.4	18.86	78.5	20.46	85.1	18.97	89.3	19.58	91.3	20.49
	27	55.1	13.54	64.7	15.90	77.4	19.97	78.5	21.69	85.1	20.34	87.9	20.45	89.9	21.40
	29	55.1	14.48	64.7	17.08	77.4	21.48	78.5	22.33	84.8	21.65	86.8	22.10	88.8	22.27
	31	55.1	15.49	64.7	18.32	77.4	22.96	78.5	22.74	83.7	22.53	85.4	22.90	87.4	23.18
	33	55.1	16.53	64.7	19.63	77.4	24.06	78.5	23.38	82.3	23.40	84.3	23.74	86.2	24.09
	35	55.1	17.60	64.7	21.04	77.4	24.55	78.5	24.92	80.9	24.96	82.9	25.21	84.8	25.46
	37	55.1	18.78	64.7	22.52	77.4	24.73	77.5	26.05	80.1	26.43	81.7	26.76	83.4	27.11
	39	55.1	19.99	64.7	24.06	77.4	25.17	76.5	27.07	79.0	27.53	80.4	28.07	82.3	28.30
	41	55.1	20.74	64.7	25.00	77.4	25.55	75.5	28.04	77.9	28.61	77.4	28.88	81.1	29.19
43	55.1	21.48	64.7	25.49	77.4	26.40	75.3	29.37	76.8	29.84	77.9	30.35	78.2	30.58	
45	55.1	22.48	64.7	26.20	77.4	28.05	74.8	31.23	75.7	32.96	77.2	34.61	76.9	35.28	
48	55.1	25.92	64.7	27.91	77.4	29.91	73.9	33.64	74.6	35.64	75.5	37.63	75.8	39.63	
50	55.1	29.36	64.7	31.35	77.4	33.35	73.2	35.34	73.5	37.33	74.3	39.33	74.6	41.32	
52	55.1	32.80	64.7	34.79	77.4	36.78	72.6	38.78	72.4	40.77	73.1	42.77	73.5	44.76	
54	55.1	36.24	64.7	38.23	77.4	40.22	71.9	42.22	71.3	44.21	72.0	46.20	72.3	48.20	

**Abbreviations:**

CR: Combination ratio

TC: Total capacity (kW)

PI: Power input (compressor + outdoor fan motor) (kW)

**Notes:**

- Shaded cells indicate rating condition.

Table continued on next page ...

Table 2-8.11: 28HP cooling capacity (continued)

CR	Outdoor air temp. (°CDB)	Indoor air temp. (°C DB/WD)													
		20.8/14		23.3/16		25.8/18		27/19		28.2/20		30.7/22		32/24	
		TC kW	PI kW	TC kW	PI kW	TC kW	PI kW	TC kW	PI kW	TC kW	PI kW	TC kW	PI kW	TC kW	PI kW
90%	-5	47.8	7.14	57.1	7.78	66.4	8.57	70.9	10.06	76.8	9.83	87.5	10.89	94.0	12.00
	-2	47.8	7.24	57.1	7.87	66.4	8.75	70.9	10.14	76.8	9.97	87.5	11.02	94.0	12.08
	0	47.8	7.32	57.1	7.97	66.4	8.89	70.9	10.30	76.8	10.07	87.5	11.22	94.0	12.22
	2	47.8	7.42	57.1	8.07	66.4	9.09	70.9	10.39	76.8	10.19	87.5	11.40	94.0	12.42
	4	47.8	7.50	57.1	8.21	66.4	9.21	70.9	10.54	76.8	10.33	87.5	11.52	94.0	12.56
	6	47.8	7.66	57.1	8.33	66.4	9.37	70.9	10.77	76.8	10.49	87.5	11.70	94.0	12.76
	8	47.8	7.78	57.1	8.51	66.4	9.55	70.9	10.96	76.8	10.67	87.5	11.90	94.0	12.98
	10	47.8	7.93	57.1	8.66	66.4	9.70	70.9	11.13	76.8	10.88	87.5	12.12	94.0	13.17
	12	47.8	8.09	57.1	8.85	66.4	10.06	70.9	11.36	76.8	11.09	87.5	12.36	94.0	13.28
	14	47.8	8.25	57.1	9.04	66.4	10.53	70.9	12.08	76.8	11.30	87.5	12.62	94.0	13.44
	16	47.8	8.41	57.1	9.26	66.4	10.79	70.9	12.38	76.8	11.55	87.5	12.79	94.0	13.60
	18	47.8	8.57	57.1	9.44	66.4	11.20	70.9	12.87	76.8	11.79	87.5	13.24	94.0	13.95
	20	47.8	8.76	57.1	9.77	66.4	12.14	70.9	13.75	76.8	12.68	87.5	13.92	94.0	14.65
	21	47.8	8.84	57.1	10.17	66.4	13.00	70.9	14.58	76.8	13.13	87.5	14.26	94.0	15.00
	23	47.8	9.46	57.1	10.97	66.4	13.99	70.9	15.59	76.8	14.12	87.5	14.96	94.0	15.70
	25	47.8	10.13	57.1	11.83	66.4	15.09	70.9	16.37	76.8	15.17	87.5	15.66	94.0	16.39
	27	47.8	10.83	57.1	12.72	66.4	15.98	70.9	17.35	76.8	16.28	87.5	16.36	94.0	17.12
	29	47.8	11.58	57.1	13.66	66.4	17.18	70.9	17.86	76.8	17.32	87.5	17.68	94.0	17.82
	31	47.8	12.39	57.1	14.65	66.4	18.37	70.9	18.19	76.8	18.02	87.5	18.32	94.0	18.54
	33	47.8	13.22	57.1	15.70	66.4	19.25	70.9	18.71	76.8	18.72	87.5	18.99	94.0	19.27
	35	47.8	14.08	57.1	16.83	66.4	19.64	70.9	19.94	76.8	19.97	87.5	20.17	94.0	20.37
	37	47.8	15.02	57.1	18.01	66.4	19.78	70.9	20.83	76.8	21.14	87.5	21.41	94.0	21.69
	39	47.8	15.99	57.1	19.25	66.4	20.14	70.9	21.17	76.8	22.02	87.5	22.46	94.0	22.64
	41	47.8	16.59	57.1	20.00	66.4	20.44	70.9	21.56	76.8	22.89	87.5	23.11	94.0	23.35
	43	47.8	17.19	57.1	20.39	66.4	21.12	70.9	21.97	76.8	23.87	87.5	24.28	94.0	24.46
45	47.8	17.98	57.1	20.96	66.4	22.44	70.9	22.36	76.8	24.37	87.5	25.30	94.0	25.83	
48	47.8	20.74	57.1	21.73	66.4	22.73	70.9	23.73	76.8	24.72	87.5	25.72	94.0	26.72	
50	47.8	23.49	57.1	24.48	66.4	25.48	70.9	26.48	76.8	27.47	87.5	28.47	94.0	29.47	
52	47.8	26.24	57.1	27.23	66.4	28.23	70.9	29.23	76.8	30.22	87.5	31.22	94.0	32.22	
54	47.8	28.99	57.1	29.99	66.4	30.98	70.9	31.98	76.8	32.98	87.5	33.97	94.0	34.97	
80%	-5	42.6	5.46	50.8	5.64	59.0	6.56	63.2	6.12	68.7	8.15	78.1	9.37	83.8	10.73
	-2	42.6	5.54	50.8	5.71	59.0	6.65	63.2	6.13	68.7	8.25	78.1	9.46	83.8	10.83
	0	42.6	5.60	50.8	5.78	59.0	6.76	63.2	6.27	68.7	8.35	78.1	9.57	83.8	10.92
	2	42.6	5.68	50.8	5.86	59.0	6.83	63.2	6.54	68.7	8.48	78.1	9.76	83.8	11.08
	4	42.6	5.74	50.8	5.95	59.0	6.96	63.2	6.56	68.7	8.59	78.1	9.92	83.8	11.24
	6	42.6	5.86	50.8	6.07	59.0	7.09	63.2	6.74	68.7	8.74	78.1	10.07	83.8	11.43
	8	42.6	5.95	50.8	6.19	59.0	7.25	63.2	7.00	68.7	8.89	78.1	10.26	83.8	11.53
	10	42.6	6.07	50.8	6.34	59.0	7.39	63.2	7.08	68.7	9.10	78.1	10.39	83.8	11.72
	12	42.6	6.19	50.8	6.46	59.0	7.53	63.2	7.25	68.7	9.26	78.1	10.59	83.8	11.93
	14	42.6	6.32	50.8	6.58	59.0	7.68	63.2	7.40	68.7	9.43	78.1	10.78	83.8	12.15
	16	42.6	6.44	50.8	6.70	59.0	7.84	63.2	7.58	68.7	9.63	78.1	11.00	83.8	12.37
	18	42.6	6.56	50.8	6.84	59.0	7.99	63.2	7.85	68.7	9.82	78.1	11.21	83.8	12.75
	20	42.6	6.71	50.8	7.01	59.0	8.16	63.2	8.54	68.7	10.18	78.1	12.06	83.8	13.36
	21	42.6	6.77	50.8	7.06	59.0	8.30	63.2	9.18	68.7	10.54	78.1	12.49	83.8	13.67
	23	42.6	7.24	50.8	7.35	59.0	8.93	63.2	9.95	68.7	11.31	78.1	13.40	83.8	14.29
	25	42.6	7.75	50.8	7.88	59.0	9.58	63.2	10.70	68.7	12.08	78.1	14.34	83.8	14.92
	27	42.6	8.29	50.8	8.41	59.0	10.25	63.2	11.73	68.7	12.92	78.1	15.35	83.8	15.54
	29	42.6	8.87	50.8	8.98	59.0	10.97	63.2	12.22	68.7	13.81	78.1	16.05	83.8	16.17
	31	42.6	9.48	50.8	9.59	59.0	11.72	63.2	13.07	68.7	14.73	78.1	16.68	83.8	16.82
	33	42.6	10.12	50.8	10.21	59.0	12.54	63.2	13.92	68.7	15.71	78.1	17.32	83.8	17.45
	35	42.6	10.78	50.8	10.88	59.0	13.38	63.2	15.26	68.7	16.75	78.1	17.95	83.8	18.10
	37	42.6	11.50	50.8	11.58	59.0	14.27	63.2	15.95	68.7	17.85	78.1	18.58	83.8	18.72
	39	42.6	12.24	50.8	12.35	59.0	15.21	63.2	16.57	68.7	19.04	78.1	19.23	83.8	19.37
	41	42.6	12.69	50.8	12.92	59.0	15.78	63.2	17.16	68.7	19.12	78.1	19.72	83.8	19.83
	43	42.6	13.15	50.8	13.50	59.0	16.35	63.2	17.98	68.7	19.53	78.1	19.97	83.8	20.14
45	42.6	13.76	50.8	14.18	59.0	17.04	63.2	19.12	68.7	20.07	78.1	20.18	83.8	20.40	
48	42.6	15.87	50.8	17.09	59.0	18.31	63.2	19.53	68.7	20.75	78.1	21.97	83.8	23.19	
50	42.6	17.97	50.8	19.19	59.0	20.41	63.2	21.63	68.7	22.86	78.1	24.08	83.8	25.30	
52	42.6	20.08	50.8	21.30	59.0	22.52	63.2	23.74	68.7	24.96	78.1	26.18	83.8	27.40	
54	42.6	22.18	50.8	23.40	59.0	24.62	63.2	25.85	68.7	27.07	78.1	28.29	83.8	29.51	

Abbreviations:

CR: Combination ratio

TC: Total capacity (kW)

PI: Power input (compressor + outdoor fan motor) (kW)

Notes:

1. Shaded cells indicate rating condition.

Table continued on next page ...

Table 2-8.11: 28HP cooling capacity (continued)

CR	Outdoor air temp. (°CDB)	Indoor air temp. (°C DB/WD)													
		20.8/14		23.3/16		25.8/18		27/19		28.2/20		30.7/22		32/24	
		TC kW	PI kW	TC kW	PI kW	TC kW	PI kW	TC kW	PI kW	TC kW	PI kW	TC kW	PI kW	TC kW	PI kW
70%	-5	37.3	4.43	44.7	4.58	51.7	5.32	55.4	6.14	60.2	6.61	68.4	7.60	73.5	8.70
	-2	37.3	4.49	44.7	4.63	51.7	5.39	55.4	6.17	60.2	6.69	68.4	7.67	73.5	8.78
	0	37.3	4.54	44.7	4.69	51.7	5.48	55.4	6.20	60.2	6.77	68.4	7.76	73.5	8.85
	2	37.3	4.61	44.7	4.75	51.7	5.54	55.4	6.37	60.2	6.88	68.4	7.92	73.5	8.98
	4	37.3	4.65	44.7	4.82	51.7	5.64	55.4	6.47	60.2	6.96	68.4	8.04	73.5	9.11
	6	37.3	4.75	44.7	4.92	51.7	5.75	55.4	6.59	60.2	7.09	68.4	8.17	73.5	9.27
	8	37.3	4.82	44.7	5.02	51.7	5.88	55.4	6.71	60.2	7.21	68.4	8.32	73.5	9.35
	10	37.3	4.92	44.7	5.14	51.7	5.99	55.4	6.83	60.2	7.38	68.4	8.42	73.5	9.50
	12	37.3	5.02	44.7	5.24	51.7	6.11	55.4	6.95	60.2	7.51	68.4	8.58	73.5	9.68
	14	37.3	5.12	44.7	5.33	51.7	6.22	55.4	7.18	60.2	7.65	68.4	8.74	73.5	9.85
	16	37.3	5.22	44.7	5.43	51.7	6.36	55.4	7.20	60.2	7.80	68.4	8.92	73.5	10.03
	18	37.3	5.32	44.7	5.55	51.7	6.48	55.4	7.22	60.2	7.96	68.4	9.09	73.5	10.34
	20	37.3	5.44	44.7	5.68	51.7	6.61	55.4	7.69	60.2	8.25	68.4	9.78	73.5	10.83
	21	37.3	5.49	44.7	5.72	51.7	6.73	55.4	8.24	60.2	8.55	68.4	10.13	73.5	11.08
	23	37.3	5.87	44.7	5.96	51.7	7.24	55.4	8.69	60.2	9.17	68.4	10.87	73.5	11.59
	25	37.3	6.29	44.7	6.39	51.7	7.76	55.4	9.33	60.2	9.79	68.4	11.63	73.5	12.10
	27	37.3	6.72	44.7	6.82	51.7	8.31	55.4	9.99	60.2	10.48	68.4	12.45	73.5	12.60
	29	37.3	7.19	44.7	7.28	51.7	8.90	55.4	10.46	60.2	11.20	68.4	13.01	73.5	13.11
	31	37.3	7.69	44.7	7.77	51.7	9.50	55.4	11.15	60.2	11.94	68.4	13.52	73.5	13.64
	33	37.3	8.21	44.7	8.28	51.7	10.16	55.4	11.83	60.2	12.74	68.4	14.05	73.5	14.15
	35	37.3	8.74	44.7	8.82	51.7	10.85	55.4	12.37	60.2	13.58	68.4	14.56	73.5	14.67
	37	37.3	9.32	44.7	9.39	51.7	11.57	55.4	12.93	60.2	14.48	68.4	15.06	73.5	15.18
	39	37.3	9.92	44.7	10.02	51.7	12.33	55.4	13.44	60.2	15.44	68.4	15.59	73.5	15.71
	41	37.3	10.29	44.7	10.48	51.7	12.79	55.4	13.92	60.2	15.51	68.4	15.99	73.5	16.08
43	37.3	10.66	44.7	10.94	51.7	13.26	55.4	14.58	60.2	15.84	68.4	16.19	73.5	16.33	
45	37.3	11.16	44.7	11.50	51.7	13.82	55.4	15.50	60.2	16.28	68.4	17.60	73.5	18.35	
48	37.3	12.87	44.7	14.10	51.7	15.34	55.4	16.58	60.2	17.81	68.4	19.05	73.5	20.29	
50	37.3	14.57	44.7	15.81	51.7	17.05	55.4	18.28	60.2	19.52	68.4	20.76	73.5	22.00	
52	37.3	16.28	44.7	17.52	51.7	18.75	55.4	19.99	60.2	21.23	68.4	22.47	73.5	23.70	
54	37.3	17.99	44.7	19.22	51.7	20.46	55.4	21.70	60.2	22.94	68.4	24.17	73.5	25.41	
60%	-5	31.8	3.57	38.0	3.89	44.2	4.29	47.3	5.49	51.4	5.98	58.5	6.65	62.8	7.63
	-2	31.8	3.62	38.0	3.94	44.2	4.35	47.3	5.56	51.4	6.08	58.5	6.75	62.8	7.68
	0	31.8	3.66	38.0	3.99	44.2	4.42	47.3	5.63	51.4	6.17	58.5	6.85	62.8	7.78
	2	31.8	3.71	38.0	4.04	44.2	4.47	47.3	5.74	51.4	6.26	58.5	6.99	62.8	7.88
	4	31.8	3.75	38.0	4.11	44.2	4.55	47.3	5.81	51.4	6.38	58.5	7.10	62.8	7.99
	6	31.8	3.83	38.0	4.17	44.2	4.64	47.3	5.94	51.4	6.51	58.5	7.24	62.8	8.18
	8	31.8	3.89	38.0	4.26	44.2	4.74	47.3	6.05	51.4	6.64	58.5	7.38	62.8	8.31
	10	31.8	3.97	38.0	4.33	44.2	4.83	47.3	6.23	51.4	6.75	58.5	7.52	62.8	8.29
	12	31.8	4.05	38.0	4.43	44.2	4.92	47.3	6.34	51.4	6.89	58.5	7.66	62.8	8.43
	14	31.8	4.13	38.0	4.52	44.2	5.02	47.3	6.45	51.4	7.00	58.5	7.80	62.8	8.57
	16	31.8	4.21	38.0	4.63	44.2	5.13	47.3	6.56	51.4	7.14	58.5	7.93	62.8	8.73
	18	31.8	4.29	38.0	4.72	44.2	5.22	47.3	6.67	51.4	7.27	58.5	8.07	62.8	8.90
	20	31.8	4.38	38.0	4.89	44.2	5.33	47.3	6.80	51.4	7.33	58.5	8.24	62.8	9.06
	21	31.8	4.42	38.0	5.09	44.2	5.43	47.3	7.30	51.4	7.47	58.5	8.32	62.8	9.26
	23	31.8	4.73	38.0	5.49	44.2	5.84	47.3	7.79	51.4	7.93	58.5	8.65	62.8	9.34
	25	31.8	5.07	38.0	5.92	44.2	6.26	47.3	8.22	51.4	8.46	58.5	9.23	62.8	9.95
	27	31.8	5.42	38.0	6.36	44.2	6.70	47.3	8.62	51.4	9.01	58.5	9.84	62.8	10.61
	29	31.8	5.80	38.0	6.83	44.2	7.17	47.3	8.99	51.4	9.59	58.5	10.50	62.8	11.32
	31	31.8	6.20	38.0	7.33	44.2	7.66	47.3	9.49	51.4	10.19	58.5	11.16	62.8	12.09
	33	31.8	6.62	38.0	7.86	44.2	8.19	47.3	9.89	51.4	10.83	58.5	11.87	62.8	12.87
	35	31.8	7.04	38.0	8.42	44.2	8.75	47.3	9.97	51.4	11.49	58.5	12.65	62.8	13.72
	37	31.8	7.52	38.0	9.01	44.2	9.33	47.3	10.43	51.4	12.20	58.5	13.44	62.8	14.60
	39	31.8	8.00	38.0	9.63	44.2	9.94	47.3	10.83	51.4	12.65	58.5	14.27	62.8	15.54
	41	31.8	8.30	38.0	10.00	44.2	10.32	47.3	11.22	51.4	13.10	58.5	14.94	62.8	16.53
43	31.8	8.60	38.0	10.20	44.2	10.69	47.3	11.75	51.4	13.74	58.5	15.58	62.8	17.28	
45	31.8	9.30	38.0	11.48	44.2	12.14	47.3	12.80	51.4	14.86	58.5	16.28	62.8	18.03	
48	31.8	10.67	38.0	11.97	44.2	13.27	47.3	14.56	51.4	15.86	58.5	17.15	62.8	18.45	
50	31.8	12.05	38.0	13.34	44.2	14.64	47.3	15.94	51.4	17.23	58.5	18.53	62.8	19.83	
52	31.8	13.42	38.0	14.72	44.2	16.02	47.3	17.31	51.4	18.61	58.5	19.91	62.8	21.20	
54	31.8	14.80	38.0	16.10	44.2	17.39	47.3	18.69	51.4	19.99	58.5	21.28	62.8	22.58	

**Abbreviations:**

CR: Combination ratio

TC: Total capacity (kW)

PI: Power input (compressor + outdoor fan motor) (kW)

**Notes:**

1. Shaded cells indicate rating condition.

Table continued on next page ...

Table 2-8.11: 28HP cooling capacity (continued)

CR	Outdoor air temp. (°CDB)	Indoor air temp. (°C DB/WD)													
		20.8/14		23.3/16		25.8/18		27/19		28.2/20		30.7/22		32/24	
		TC	PI	TC	PI	TC	PI	TC	PI	TC	PI	TC	PI	TC	PI
		kW	kW	kW	kW	kW	kW	kW	kW	kW	kW	kW	kW	kW	kW
50%	-5	26.8	2.96	32.0	3.22	37.1	3.55	39.6	4.87	43.0	5.05	48.9	5.75	52.7	6.19
	-2	26.8	3.00	32.0	3.26	37.1	3.60	39.6	4.99	43.0	5.15	48.9	5.82	52.7	6.28
	0	26.8	3.03	32.0	3.30	37.1	3.66	39.6	5.01	43.0	5.20	48.9	5.92	52.7	6.38
	2	26.8	3.07	32.0	3.34	37.1	3.70	39.6	5.03	43.0	5.29	48.9	5.95	52.7	6.51
	4	26.8	3.11	32.0	3.40	37.1	3.77	39.6	5.04	43.0	5.40	48.9	6.09	52.7	6.67
	6	26.8	3.17	32.0	3.45	37.1	3.84	39.6	5.08	43.0	5.50	48.9	6.19	52.7	6.87
	8	26.8	3.22	32.0	3.52	37.1	3.92	39.6	5.10	43.0	5.57	48.9	6.29	52.7	7.09
	10	26.8	3.29	32.0	3.59	37.1	4.00	39.6	5.06	43.0	5.73	48.9	6.45	52.7	7.20
	12	26.8	3.35	32.0	3.67	37.1	4.08	39.6	5.09	43.0	5.85	48.9	6.57	52.7	7.31
	14	26.8	3.42	32.0	3.75	37.1	4.15	39.6	5.11	43.0	5.94	48.9	6.68	52.7	7.46
	16	26.8	3.49	32.0	3.83	37.1	4.25	39.6	5.12	43.0	6.02	48.9	6.80	52.7	7.57
	18	26.8	3.55	32.0	3.91	37.1	4.32	39.6	5.15	43.0	6.14	48.9	6.91	52.7	7.71
	20	26.8	3.63	32.0	4.05	37.1	4.42	39.6	5.39	43.0	6.25	48.9	7.03	52.7	7.86
	21	26.8	3.66	32.0	4.21	37.1	4.49	39.6	5.66	43.0	6.31	48.9	7.11	52.7	7.94
	23	26.8	3.92	32.0	4.55	37.1	4.83	39.6	6.04	43.0	6.42	48.9	7.23	52.7	8.11
	25	26.8	4.20	32.0	4.90	37.1	5.18	39.6	6.43	43.0	6.62	48.9	7.60	52.7	8.66
	27	26.8	4.49	32.0	5.27	37.1	5.55	39.6	6.93	43.0	7.03	48.9	8.09	52.7	9.23
	29	26.8	4.80	32.0	5.66	37.1	5.94	39.6	7.14	43.0	7.48	48.9	8.60	52.7	9.84
	31	26.8	5.13	32.0	6.07	37.1	6.34	39.6	7.61	43.0	7.94	48.9	9.15	52.7	10.47
	33	26.8	5.48	32.0	6.51	37.1	6.79	39.6	8.03	43.0	8.43	48.9	9.72	52.7	11.13
35	26.8	5.83	32.0	6.97	37.1	7.24	39.6	8.26	43.0	8.92	48.9	10.32	52.7	11.81	
37	26.8	6.22	32.0	7.46	37.1	7.72	39.6	8.63	43.0	9.46	48.9	10.95	52.7	12.56	
39	26.8	6.62	32.0	7.97	37.1	8.23	39.6	8.97	43.0	10.04	48.9	11.61	52.7	13.33	
41	26.8	6.87	32.0	8.28	37.1	8.54	39.6	9.29	43.0	10.47	48.9	12.23	52.7	13.95	
43	26.8	7.12	32.0	8.45	37.1	8.85	39.6	9.90	43.0	10.74	48.9	12.85	52.7	14.57	
45	26.8	7.45	32.0	9.51	37.1	10.13	39.6	10.93	43.0	12.00	48.9	14.09	52.7	15.19	
48	26.8	8.75	32.0	9.99	37.1	11.23	39.6	12.47	43.0	13.71	48.9	14.95	52.7	16.19	
50	26.8	10.06	32.0	11.30	37.1	12.54	39.6	13.78	43.0	15.01	48.9	16.25	52.7	17.49	
52	26.8	11.36	32.0	12.60	37.1	13.84	39.6	15.08	43.0	16.32	48.9	17.56	52.7	18.80	
54	26.8	12.67	32.0	13.91	37.1	15.15	39.6	16.39	43.0	17.62	48.9	18.86	52.7	20.10	

Abbreviations:

CR: Combination ratio

TC: Total capacity (kW)

PI: Power input (compressor + outdoor fan motor) (kW)

Notes:

1. Shaded cells indicate rating condition.

Table 2-8.12: 30HP cooling capacity

CR	Outdoor air temp. (°CDB)	Indoor air temp. (°C DB/WD)													
		20.8/14		23.3/16		25.8/18		27/19		28.2/20		30.7/22		32/24	
		TC	PI	TC	PI	TC	PI	TC	PI	TC	PI	TC	PI	TC	PI
		kW	kW	kW	kW	kW	kW	kW	kW	kW	kW	kW	kW	kW	kW
130%	-5	77.0	11.71	93.6	13.13	105.6	14.16	108.6	15.37	116.2	16.40	119.3	17.84	120.3	17.95
	-2	77.0	11.71	93.6	13.41	105.6	14.16	109.5	15.46	116.2	16.40	119.3	18.06	120.3	18.13
	0	77.0	11.92	93.6	13.66	105.6	14.72	109.5	16.34	116.2	17.36	119.3	18.28	120.3	18.37
	2	77.0	12.13	93.6	13.69	105.6	15.26	109.5	17.29	116.2	17.56	119.3	18.42	120.3	18.64
	4	77.0	12.40	93.6	13.98	105.6	15.83	109.5	17.37	116.2	17.78	119.3	18.41	120.3	19.00
	6	77.0	12.64	93.6	14.28	105.6	16.46	109.5	17.52	114.2	18.34	115.9	18.40	120.3	19.14
	8	77.0	12.94	93.6	14.63	105.6	17.34	109.5	18.40	113.0	18.94	114.6	18.49	119.0	19.32
	10	77.0	13.21	93.6	14.98	105.6	18.03	109.5	19.04	111.9	19.07	114.3	19.07	117.5	19.88
	12	77.0	13.44	93.6	15.28	105.6	18.41	108.4	19.26	110.4	19.57	113.3	19.41	116.3	20.01
	14	77.0	13.71	93.6	15.59	104.9	18.49	107.5	19.36	109.0	19.75	112.5	19.74	114.8	20.46
	16	77.0	13.94	93.6	15.94	103.7	19.01	105.6	19.75	107.6	20.15	111.7	20.20	113.7	20.78
	18	77.0	14.21	93.6	16.29	102.2	19.30	103.9	20.00	106.2	20.70	110.9	20.90	112.6	21.09
	20	77.0	14.52	93.6	17.41	101.1	20.31	102.3	21.01	104.9	21.71	110.1	21.90	111.6	22.13
	21	77.0	14.91	93.6	18.07	100.6	20.81	102.6	21.51	103.5	22.21	109.3	22.44	110.5	22.63
	23	77.0	15.99	93.6	19.46	98.7	21.81	100.4	22.51	102.1	23.21	108.5	23.44	109.4	23.68
	25	77.0	17.07	93.6	20.92	97.2	22.82	98.9	23.52	100.7	24.26	107.7	24.49	108.4	24.72
	27	77.0	18.23	93.6	22.47	96.0	23.82	97.5	25.03	99.3	25.26	106.9	25.53	107.3	25.80
	29	77.0	19.47	93.6	24.09	94.4	24.82	96.1	26.38	98.0	26.30	106.1	26.58	106.3	26.84
	31	77.0	20.78	90.4	25.56	93.1	25.87	94.9	27.68	96.6	27.31	105.3	27.62	105.2	27.93
	33	77.0	22.13	88.8	26.56	91.6	26.87	93.2	29.20	95.2	28.35	104.5	28.66	104.1	28.97
	35	77.0	23.60	87.3	27.57	90.3	27.91	91.6	29.24	93.8	29.39	103.7	29.74	103.1	30.05
	37	77.0	25.11	86.1	28.80	88.8	28.96	90.5	29.70	92.4	30.48	102.9	30.82	102.0	31.17
	39	77.0	26.73	84.5	29.95	87.3	30.09	89.1	30.74	91.6	31.52	102.1	31.87	100.9	32.25
	41	77.0	28.13	83.6	31.09	86.4	31.22	87.7	31.78	89.2	32.39	92.0	32.72	99.9	33.13
	43	77.0	29.24	83.0	32.23	85.9	33.23	86.3	33.70	88.2	34.05	90.3	34.34	98.8	34.66
45	77.0	30.35	82.5	33.67	85.0	34.65	84.9	35.32	87.0	35.67	87.8	35.88	97.7	36.65	
48	77.0	34.39	82.0	35.27	84.1	36.14	83.4	37.02	85.7	37.90	85.4	38.77	96.7	39.65	
50	77.0	38.42	79.5	39.30	82.3	40.18	82.0	41.06	84.2	41.93	80.2	42.81	95.6	43.69	
52	77.0	42.46	78.3	43.34	81.2	44.21	80.6	45.09	82.8	45.97	76.4	46.84	94.6	47.72	
54	77.0	46.49	77.0	47.37	80.0	48.25	79.2	49.13	81.4	50.00	72.6	50.88	93.5	51.76	
120%	-5	72.0	11.30	83.5	12.24	97.2	14.16	105.7	15.91	110.7	16.95	113.2	18.41	115.7	18.91
	-2	72.0	11.41	83.5	12.38	97.2	14.32	105.7	16.01	110.7	17.17	113.2	18.57	115.7	18.98
	0	72.0	11.52	83.5	12.47	97.2	14.50	105.7	16.06	110.7	17.33	113.2	18.68	115.7	19.02
	2	72.0	11.55	83.5	12.62	97.2	14.62	105.7	16.23	110.7	17.41	113.2	18.82	115.7	19.06
	4	72.0	11.66	83.5	12.80	97.2	14.85	105.7	16.39	110.7	17.66	113.2	18.87	115.7	19.11
	6	72.0	11.79	83.5	12.91	97.2	15.06	105.7	16.59	110.7	17.86	113.2	19.02	115.7	19.18
	8	72.0	11.89	83.5	13.05	97.2	15.29	105.7	16.83	110.7	18.06	113.2	19.09	115.7	19.27
	10	72.0	12.04	83.5	13.25	97.2	15.44	105.7	17.16	110.7	18.07	113.2	19.15	115.7	19.36
	12	72.0	12.27	83.5	13.52	97.2	15.79	105.7	17.51	109.2	18.15	111.6	19.04	114.1	19.49
	14	72.0	12.50	83.5	13.83	97.2	16.14	105.7	17.90	107.6	18.28	110.4	19.34	112.9	19.73
	16	72.0	12.73	83.5	14.13	97.2	16.49	105.5	18.15	106.4	18.57	108.9	19.67	111.3	20.03
	18	72.0	12.96	83.5	14.44	97.2	17.10	103.4	18.71	104.8	19.07	107.3	20.14	110.1	20.33
	20	72.0	13.23	83.5	15.06	97.2	18.57	102.3	19.71	103.6	20.07	106.1	21.14	108.6	21.33
	21	72.0	13.35	83.5	15.64	97.2	19.30	100.5	20.93	102.7	20.58	105.5	21.64	107.9	21.87
	23	72.0	14.27	83.5	16.87	97.2	20.81	98.4	22.60	101.4	21.58	103.9	22.68	106.4	22.87
	25	72.0	15.24	83.5	18.15	95.6	21.81	97.2	23.57	99.9	22.58	102.7	23.68	105.1	23.92
	27	72.0	16.28	83.5	19.50	94.4	22.78	95.7	25.11	98.6	23.63	101.1	24.73	103.6	24.96
	29	72.0	17.36	83.5	20.92	92.8	23.78	94.1	26.17	97.1	24.63	99.6	25.77	102.4	26.00
	31	72.0	18.52	83.5	22.43	91.4	24.82	92.8	27.46	95.9	25.67	98.3	26.81	100.8	27.08
	33	72.0	19.71	83.5	24.01	90.0	25.82	91.4	28.63	94.3	26.67	96.8	27.85	99.3	28.12
	35	72.0	20.99	83.5	25.71	88.6	26.82	89.7	29.01	93.1	27.71	95.5	28.89	98.0	29.20
	37	72.0	22.33	83.5	27.48	87.3	27.87	88.6	29.18	90.6	29.36	94.0	29.94	96.5	30.28
	39	72.0	23.76	83.2	29.10	85.7	28.87	87.0	29.35	89.1	29.80	92.8	31.01	95.2	31.32
	41	72.0	25.07	82.6	29.32	85.0	29.89	86.3	30.73	87.5	30.84	90.3	32.05	92.6	32.39
	43	72.0	26.18	82.1	29.54	84.4	30.73	85.6	31.42	86.8	31.88	88.7	33.10	91.1	33.46
45	72.0	27.28	81.7	29.83	83.6	31.34	84.7	32.52	86.1	32.92	86.9	34.15	90.5	34.52	
48	72.0	31.28	81.2	32.15	82.8	33.02	84.0	33.89	85.4	34.76	85.3	35.63	89.4	36.50	
50	72.0	35.28	80.7	36.16	81.9	37.03	83.0	37.90	84.0	38.77	83.4	39.64	87.4	40.51	
52	72.0	39.29	80.2	40.16	81.0	41.03	82.1	41.90	83.0	42.77	81.6	43.64	86.0	44.51	
54	72.0	43.29	79.7	44.16	80.2	45.03	81.2	45.90	81.9	46.77	79.8	47.64	84.5	48.51	

**Abbreviations:**

CR: Combination ratio

TC: Total capacity (kW)

PI: Power input (compressor + outdoor fan motor) (kW)

**Notes:**

1. Shaded cells indicate rating condition.

Table continued on next page ...



Table 2-8.12: 30HP cooling capacity (continued)

CR	Outdoor air temp. (°CDB)	Indoor air temp. (°C DB/WD)													
		20.8/14		23.3/16		25.8/18		27/19		28.2/20		30.7/22		32/24	
		TC	PI	TC	PI	TC	PI	TC	PI	TC	PI	TC	PI	TC	PI
		kW	kW	kW	kW	kW	kW	kW	kW	kW	kW	kW	kW	kW	kW
110%	-5	66.4	9.87	76.8	11.14	92.9	13.23	95.9	14.88	103.3	16.37	111.0	17.02	113.5	18.14
	-2	66.4	10.07	76.8	11.30	92.9	13.35	95.9	15.04	103.3	16.50	111.0	17.19	113.5	18.24
	0	66.4	10.17	76.8	11.37	92.9	13.47	95.9	15.14	103.3	16.69	111.0	17.37	113.5	18.46
	2	66.4	10.39	76.8	11.49	92.9	13.70	95.9	15.31	103.3	16.87	111.0	17.63	113.5	18.69
	4	66.4	10.60	76.8	11.63	92.9	13.84	95.9	15.52	103.3	17.14	111.0	17.88	113.5	18.86
	6	66.4	10.70	76.8	11.78	92.9	13.99	95.9	15.78	103.3	17.34	111.0	18.07	113.5	19.15
	8	66.4	10.80	76.8	11.99	92.9	14.17	95.9	15.95	103.3	17.54	111.0	18.20	113.5	19.35
	10	66.4	10.92	76.8	12.16	92.9	14.39	95.9	16.24	103.3	17.84	111.0	18.33	113.5	19.52
	12	66.4	11.16	76.8	12.44	92.9	14.70	95.9	16.59	103.3	18.19	109.8	18.61	112.0	19.77
	14	66.4	11.35	76.8	12.67	92.9	15.01	95.9	16.89	103.3	18.54	108.2	18.77	110.7	19.91
	16	66.4	11.54	76.8	12.94	92.9	15.31	95.9	17.24	103.3	18.92	107.0	19.00	109.2	20.13
	18	66.4	11.78	76.8	13.21	92.9	15.66	95.9	17.74	103.3	19.85	105.5	20.00	107.9	20.77
	20	66.4	12.01	76.8	13.52	92.9	16.66	95.9	19.13	101.7	20.85	104.2	21.00	106.4	21.77
	21	66.4	12.12	76.8	13.94	92.9	17.32	95.9	20.63	101.1	21.35	103.3	21.51	105.8	22.28
	23	66.4	12.70	76.8	15.02	92.9	18.67	95.9	21.96	99.6	22.32	102.1	22.54	104.2	23.32
	25	66.4	13.55	76.8	16.14	92.9	20.06	95.9	23.43	98.3	23.32	100.5	23.55	103.0	24.32
	27	66.4	14.44	76.8	17.34	92.9	21.57	94.7	24.57	96.8	24.33	99.3	24.56	101.4	25.36
	29	66.4	15.40	76.8	18.58	92.9	23.15	92.9	25.99	95.6	25.37	97.7	25.60	100.2	26.41
	31	66.4	16.41	76.8	19.89	92.9	24.81	91.2	27.43	94.0	26.37	96.5	26.60	98.6	27.45
	33	66.4	17.45	76.8	21.28	92.9	26.24	90.6	28.49	92.8	27.37	94.9	27.65	97.4	28.49
	35	66.4	18.57	76.8	22.74	87.9	27.24	88.2	28.84	91.2	28.42	93.4	28.69	95.9	29.53
	37	66.4	20.33	76.8	24.29	85.7	28.29	87.2	28.98	89.7	29.42	92.2	29.73	94.3	30.58
	39	66.4	22.07	76.8	25.95	84.2	29.29	85.6	30.02	88.1	30.46	90.6	30.77	93.1	31.66
	41	66.4	23.80	76.8	26.17	82.7	29.51	84.8	30.24	86.7	30.68	87.7	31.13	90.3	31.87
43	66.4	25.53	76.8	26.52	81.1	29.72	83.8	30.45	85.2	30.90	87.0	31.95	89.0	32.52	
45	66.4	26.98	76.8	27.46	79.6	30.33	82.4	31.09	83.8	31.52	84.7	32.65	87.0	33.60	
48	66.4	30.96	76.8	31.83	78.0	32.69	81.2	33.56	82.3	34.42	83.7	35.29	85.1	36.15	
50	66.4	34.94	75.0	35.81	76.5	36.67	80.0	37.54	80.9	38.40	81.9	39.27	83.2	40.13	
52	66.4	38.92	73.3	39.79	74.9	40.65	78.8	41.52	79.4	42.38	80.2	43.25	81.3	44.11	
54	66.4	42.90	71.6	43.77	73.4	44.63	77.6	45.50	77.9	46.36	78.6	47.23	79.5	48.09	
100%	-5	59.6	10.14	70.0	11.05	83.8	12.18	85.0	14.30	92.2	13.97	105.9	15.47	109.2	17.05
	-2	59.6	10.28	70.0	11.19	83.8	12.43	85.0	14.41	92.2	14.17	105.9	15.67	109.2	17.17
	0	59.6	10.40	70.0	11.33	83.8	12.64	85.0	14.63	92.2	14.31	105.9	15.95	109.2	17.37
	2	59.6	10.55	70.0	11.47	83.8	12.92	85.0	14.77	92.2	14.48	105.9	16.20	109.2	17.65
	4	59.6	10.65	70.0	11.67	83.8	13.09	85.0	14.98	92.2	14.67	105.9	16.37	109.2	17.85
	6	59.6	10.88	70.0	11.84	83.8	13.32	85.0	15.30	92.2	14.90	105.9	16.63	109.2	18.13
	8	59.6	11.05	70.0	12.09	83.8	13.56	85.0	15.58	92.2	15.16	105.9	16.91	109.2	18.44
	10	59.6	11.27	70.0	12.31	83.8	13.78	85.0	15.82	92.2	15.45	105.9	17.22	109.2	18.71
	12	59.6	11.50	70.0	12.58	83.8	14.30	85.0	16.14	92.2	15.76	105.9	17.56	107.6	18.86
	14	59.6	11.73	70.0	12.85	83.8	14.97	85.0	17.16	92.2	16.06	105.9	17.94	106.4	19.10
	16	59.6	11.96	70.0	13.15	83.8	15.33	85.0	17.60	92.2	16.41	102.8	18.17	104.9	19.33
	18	59.6	12.18	70.0	13.42	83.8	15.92	85.0	18.29	92.2	16.75	101.6	18.82	103.7	19.82
	20	59.6	12.45	70.0	13.88	83.8	17.25	85.0	19.53	92.2	18.01	100.1	19.77	102.2	20.81
	21	59.6	12.57	70.0	14.45	83.8	18.47	85.0	20.72	92.2	18.66	99.5	20.27	101.6	21.31
	23	59.6	13.45	70.0	15.60	83.8	19.87	85.0	22.15	92.2	20.07	98.2	21.26	100.1	22.30
	25	59.6	14.40	70.0	16.82	83.8	21.44	85.0	23.26	92.2	21.56	96.7	22.26	98.8	23.30
	27	59.6	15.39	70.0	18.08	83.8	22.71	85.0	24.66	92.2	23.13	95.2	23.25	97.3	24.33
	29	59.6	16.46	70.0	19.41	83.8	24.41	85.0	25.39	91.9	24.62	94.0	25.13	96.1	25.32
	31	59.6	17.61	70.0	20.83	83.8	26.11	85.0	25.85	90.6	25.61	92.5	26.03	94.6	26.35
	33	59.6	18.79	70.0	22.32	83.8	27.35	85.0	26.58	89.1	26.60	91.3	26.99	93.4	27.38
	35	59.6	20.01	70.0	23.92	83.8	27.91	85.0	28.33	87.6	28.38	89.7	28.66	91.9	28.94
	37	59.6	21.35	70.0	25.60	83.8	28.11	83.9	29.62	86.7	30.04	88.5	30.42	90.3	30.82
	39	59.6	22.72	70.0	27.36	83.8	28.62	82.8	30.77	85.5	31.29	87.0	31.91	89.1	32.17
	41	59.6	23.57	70.0	28.42	83.8	29.04	81.8	31.87	84.4	32.53	83.8	32.84	87.9	33.18
43	59.6	24.42	70.0	28.98	83.8	30.01	81.5	33.39	83.2	33.92	84.3	34.50	84.6	34.76	
45	59.6	25.56	70.0	29.78	83.8	31.89	81.0	35.51	82.0	37.47	83.6	39.35	83.3	40.11	
48	59.6	29.47	70.0	31.73	83.8	34.00	80.0	38.25	80.8	40.51	81.7	42.78	82.0	45.05	
50	59.6	33.38	70.0	35.64	83.8	37.91	79.3	40.17	79.6	42.44	80.4	44.71	80.8	46.97	
52	59.6	37.29	70.0	39.55	83.8	41.82	78.6	44.08	78.4	46.35	79.2	48.62	79.6	50.88	
54	59.6	41.19	70.0	43.46	83.8	45.73	77.8	47.99	77.3	50.26	77.9	52.53	78.3	54.79	

Abbreviations:  
 CR: Combination ratio  
 TC: Total capacity (kW)  
 PI: Power input (compressor + outdoor fan motor) (kW)

Notes:  
 1. Shaded cells indicate rating condition.

Table continued on next page ...

Table 2-8.12: 30HP cooling capacity (continued)

CR	Outdoor air temp. (°CDB)	Indoor air temp. (°C DB/WD)													
		20.8/14		23.3/16		25.8/18		27/19		28.2/20		30.7/22		32/24	
		TC	PI	TC	PI	TC	PI	TC	PI	TC	PI	TC	PI	TC	PI
		kW	kW	kW	kW	kW	kW	kW	kW	kW	kW	kW	kW	kW	kW
90%	-5	51.8	8.11	61.8	8.84	71.9	9.75	76.8	11.44	83.2	11.17	94.7	12.37	101.7	13.64
	-2	51.8	8.23	61.8	8.95	71.9	9.94	76.8	11.53	83.2	11.33	94.7	12.53	101.7	13.73
	0	51.8	8.32	61.8	9.07	71.9	10.11	76.8	11.71	83.2	11.45	94.7	12.76	101.7	13.89
	2	51.8	8.44	61.8	9.18	71.9	10.34	76.8	11.81	83.2	11.58	94.7	12.96	101.7	14.12
	4	51.8	8.52	61.8	9.34	71.9	10.47	76.8	11.99	83.2	11.74	94.7	13.10	101.7	14.28
	6	51.8	8.70	61.8	9.47	71.9	10.65	76.8	12.24	83.2	11.92	94.7	13.30	101.7	14.50
	8	51.8	8.84	61.8	9.67	71.9	10.85	76.8	12.46	83.2	12.13	94.7	13.53	101.7	14.75
	10	51.8	9.02	61.8	9.85	71.9	11.02	76.8	12.66	83.2	12.36	94.7	13.77	101.7	14.97
	12	51.8	9.20	61.8	10.06	71.9	11.44	76.8	12.91	83.2	12.61	94.7	14.05	101.7	15.09
	14	51.8	9.38	61.8	10.28	71.9	11.98	76.8	13.73	83.2	12.85	94.7	14.35	101.7	15.28
	16	51.8	9.56	61.8	10.52	71.9	12.27	76.8	14.08	83.2	13.13	94.7	14.54	101.7	15.46
	18	51.8	9.75	61.8	10.74	71.9	12.73	76.8	14.63	83.2	13.40	94.7	15.06	101.7	15.86
	20	51.8	9.96	61.8	11.10	71.9	13.80	76.8	15.63	83.2	14.41	94.7	15.82	101.7	16.65
	21	51.8	10.05	61.8	11.56	71.9	14.78	76.8	16.58	83.2	14.93	94.7	16.22	101.7	17.05
	23	51.8	10.76	61.8	12.48	71.9	15.90	76.8	17.72	83.2	16.06	94.7	17.01	101.7	17.84
	25	51.8	11.52	61.8	13.45	71.9	17.15	76.8	18.61	83.2	17.25	94.7	17.80	101.7	18.64
	27	51.8	12.31	61.8	14.46	71.9	18.17	76.8	19.73	83.2	18.50	94.7	18.60	101.7	19.46
	29	51.8	13.17	61.8	15.53	71.9	19.53	76.8	20.31	83.2	19.69	94.7	20.10	101.7	20.25
	31	51.8	14.09	61.8	16.66	71.9	20.88	76.8	20.68	83.2	20.49	94.7	20.83	101.7	21.08
	33	51.8	15.03	61.8	17.85	71.9	21.88	76.8	21.27	83.2	21.28	94.7	21.59	101.7	21.90
	35	51.8	16.01	61.8	19.14	71.9	22.33	76.8	22.66	83.2	22.70	94.7	22.93	101.7	23.15
	37	51.8	17.08	61.8	20.48	71.9	22.49	76.8	23.68	83.2	24.03	94.7	24.33	101.7	24.66
	39	51.8	18.18	61.8	21.88	71.9	22.89	76.8	24.06	83.2	25.03	94.7	25.53	101.7	25.74
	41	51.8	18.86	61.8	22.73	71.9	23.23	76.8	24.51	83.2	26.02	94.7	26.27	101.7	26.55
43	51.8	19.54	61.8	23.18	71.9	24.01	76.8	24.98	83.2	27.13	94.7	27.60	101.7	27.81	
45	51.8	20.45	61.8	23.83	71.9	25.51	76.8	25.42	83.2	27.71	94.7	28.76	101.7	29.37	
48	51.8	23.57	61.8	24.71	71.9	25.84	76.8	26.97	83.2	28.11	94.7	29.24	101.7	30.37	
50	51.8	26.70	61.8	27.83	71.9	28.97	76.8	30.10	83.2	31.23	94.7	32.37	101.7	33.50	
52	51.8	29.83	61.8	30.96	71.9	32.09	76.8	33.23	83.2	34.36	94.7	35.49	101.7	36.63	
54	51.8	32.96	61.8	34.09	71.9	35.22	76.8	36.36	83.2	37.49	94.7	38.62	101.7	39.75	
80%	-5	46.1	6.21	55.0	6.42	63.8	7.46	68.4	6.96	74.4	9.26	84.6	10.65	90.7	12.19
	-2	46.1	6.30	55.0	6.49	63.8	7.56	68.4	6.97	74.4	9.37	84.6	10.75	90.7	12.31
	0	46.1	6.37	55.0	6.57	63.8	7.68	68.4	7.13	74.4	9.49	84.6	10.87	90.7	12.41
	2	46.1	6.46	55.0	6.66	63.8	7.77	68.4	7.44	74.4	9.64	84.6	11.10	90.7	12.59
	4	46.1	6.52	55.0	6.76	63.8	7.91	68.4	7.46	74.4	9.76	84.6	11.27	90.7	12.78
	6	46.1	6.66	55.0	6.90	63.8	8.06	68.4	7.67	74.4	9.94	84.6	11.45	90.7	12.99
	8	46.1	6.76	55.0	7.04	63.8	8.24	68.4	7.96	74.4	10.11	84.6	11.66	90.7	13.11
	10	46.1	6.90	55.0	7.20	63.8	8.40	68.4	8.04	74.4	10.34	84.6	11.81	90.7	13.32
	12	46.1	7.04	55.0	7.34	63.8	8.56	68.4	8.25	74.4	10.53	84.6	12.04	90.7	13.57
	14	46.1	7.18	55.0	7.48	63.8	8.73	68.4	8.41	74.4	10.72	84.6	12.26	90.7	13.81
	16	46.1	7.32	55.0	7.61	63.8	8.92	68.4	8.62	74.4	10.94	84.6	12.50	90.7	14.06
	18	46.1	7.46	55.0	7.78	63.8	9.08	68.4	8.92	74.4	11.16	84.6	12.75	90.7	14.50
	20	46.1	7.62	55.0	7.96	63.8	9.27	68.4	9.71	74.4	11.57	84.6	13.70	90.7	15.18
	21	46.1	7.69	55.0	8.02	63.8	9.44	68.4	10.43	74.4	11.98	84.6	14.20	90.7	15.54
	23	46.1	8.23	55.0	8.35	63.8	10.15	68.4	11.31	74.4	12.86	84.6	15.24	90.7	16.25
	25	46.1	8.82	55.0	8.95	63.8	10.89	68.4	12.17	74.4	13.73	84.6	16.30	90.7	16.96
	27	46.1	9.42	55.0	9.56	63.8	11.65	68.4	13.33	74.4	14.69	84.6	17.45	90.7	17.67
	29	46.1	10.08	55.0	10.21	63.8	12.47	68.4	13.90	74.4	15.70	84.6	18.25	90.7	18.38
	31	46.1	10.78	55.0	10.90	63.8	13.32	68.4	14.86	74.4	16.74	84.6	18.96	90.7	19.12
	33	46.1	11.50	55.0	11.61	63.8	14.25	68.4	15.83	74.4	17.86	84.6	19.70	90.7	19.83
	35	46.1	12.25	55.0	12.37	63.8	15.21	68.4	17.34	74.4	19.04	84.6	20.41	90.7	20.57
	37	46.1	13.07	55.0	13.17	63.8	16.22	68.4	18.13	74.4	20.30	84.6	21.12	90.7	21.28
	39	46.1	13.91	55.0	14.04	63.8	17.29	68.4	18.84	74.4	21.65	84.6	21.86	90.7	22.02
	41	46.1	14.43	55.0	14.69	63.8	17.94	68.4	19.51	74.4	21.74	84.6	22.41	90.7	22.54
43	46.1	14.95	55.0	15.34	63.8	18.59	68.4	20.44	74.4	22.21	84.6	22.71	90.7	22.89	
45	46.1	15.65	55.0	16.12	63.8	19.37	68.4	21.74	74.4	22.82	84.6	22.94	90.7	23.20	
48	46.1	18.04	55.0	19.43	63.8	20.81	68.4	22.20	74.4	23.59	84.6	24.98	90.7	26.36	
50	46.1	20.43	55.0	21.82	63.8	23.21	68.4	24.59	74.4	25.98	84.6	27.37	90.7	28.76	
52	46.1	22.83	55.0	24.21	63.8	25.60	68.4	26.99	74.4	28.38	84.6	29.76	90.7	31.15	
54	46.1	25.22	55.0	26.61	63.8	27.99	68.4	29.38	74.4	30.77	84.6	32.16	90.7	33.54	

**Abbreviations:**

CR: Combination ratio

TC: Total capacity (kW)

PI: Power input (compressor + outdoor fan motor) (kW)

**Notes:**

1. Shaded cells indicate rating condition.

Table continued on next page ...



Table 2-8.12: 30HP cooling capacity (continued)

CR	Outdoor air temp. (°CDB)	Indoor air temp. (°C DB/WD)													
		20.8/14		23.3/16		25.8/18		27/19		28.2/20		30.7/22		32/24	
		TC kW	PI kW	TC kW	PI kW	TC kW	PI kW	TC kW	PI kW	TC kW	PI kW	TC kW	PI kW	TC kW	PI kW
70%	-5	40.4	5.03	48.4	5.20	56.0	6.05	60.0	6.98	65.2	7.51	74.0	8.63	79.6	9.89
	-2	40.4	5.10	48.4	5.26	56.0	6.13	60.0	7.01	65.2	7.60	74.0	8.72	79.6	9.98
	0	40.4	5.16	48.4	5.33	56.0	6.23	60.0	7.05	65.2	7.70	74.0	8.82	79.6	10.06
	2	40.4	5.24	48.4	5.40	56.0	6.30	60.0	7.24	65.2	7.82	74.0	9.00	79.6	10.21
	4	40.4	5.29	48.4	5.48	56.0	6.41	60.0	7.36	65.2	7.92	74.0	9.14	79.6	10.36
	6	40.4	5.40	48.4	5.60	56.0	6.54	60.0	7.50	65.2	8.06	74.0	9.28	79.6	10.53
	8	40.4	5.48	48.4	5.71	56.0	6.68	60.0	7.62	65.2	8.20	74.0	9.45	79.6	10.63
	10	40.4	5.59	48.4	5.84	56.0	6.81	60.0	7.76	65.2	8.38	74.0	9.58	79.6	10.80
	12	40.4	5.71	48.4	5.95	56.0	6.94	60.0	7.90	65.2	8.54	74.0	9.76	79.6	11.00
	14	40.4	5.82	48.4	6.06	56.0	7.08	60.0	8.16	65.2	8.70	74.0	9.94	79.6	11.20
	16	40.4	5.93	48.4	6.17	56.0	7.23	60.0	8.19	65.2	8.87	74.0	10.14	79.6	11.40
	18	40.4	6.05	48.4	6.31	56.0	7.36	60.0	8.21	65.2	9.05	74.0	10.34	79.6	11.76
	20	40.4	6.18	48.4	6.46	56.0	7.52	60.0	8.74	65.2	9.38	74.0	11.11	79.6	12.31
	21	40.4	6.24	48.4	6.51	56.0	7.65	60.0	9.36	65.2	9.72	74.0	11.51	79.6	12.60
	23	40.4	6.67	48.4	6.77	56.0	8.23	60.0	9.88	65.2	10.42	74.0	12.35	79.6	13.18
	25	40.4	7.15	48.4	7.26	56.0	8.83	60.0	10.60	65.2	11.14	74.0	13.22	79.6	13.75
	27	40.4	7.64	48.4	7.75	56.0	9.45	60.0	11.36	65.2	11.91	74.0	14.15	79.6	14.33
	29	40.4	8.17	48.4	8.28	56.0	10.11	60.0	11.89	65.2	12.73	74.0	14.80	79.6	14.91
	31	40.4	8.74	48.4	8.84	56.0	10.80	60.0	12.68	65.2	13.58	74.0	15.37	79.6	15.50
	33	40.4	9.33	48.4	9.41	56.0	11.56	60.0	13.45	65.2	14.48	74.0	15.97	79.6	16.08
	35	40.4	9.93	48.4	10.03	56.0	12.33	60.0	14.06	65.2	15.44	74.0	16.55	79.6	16.68
	37	40.4	10.60	48.4	10.68	56.0	13.15	60.0	14.70	65.2	16.46	74.0	17.12	79.6	17.26
	39	40.4	11.28	48.4	11.39	56.0	14.02	60.0	15.27	65.2	17.55	74.0	17.72	79.6	17.86
	41	40.4	11.70	48.4	11.91	56.0	14.55	60.0	15.82	65.2	17.63	74.0	18.17	79.6	18.28
43	40.4	12.12	48.4	12.44	56.0	15.07	60.0	16.57	65.2	18.01	74.0	18.41	79.6	18.56	
45	40.4	12.69	48.4	13.07	56.0	15.71	60.0	17.63	65.2	18.50	74.0	20.01	79.6	20.87	
48	40.4	14.63	48.4	16.03	56.0	17.44	60.0	18.85	65.2	20.25	74.0	21.66	79.6	23.06	
50	40.4	16.57	48.4	17.97	56.0	19.38	60.0	20.79	65.2	22.19	74.0	23.60	79.6	25.01	
52	40.4	18.51	48.4	19.91	56.0	21.32	60.0	22.73	65.2	24.13	74.0	25.54	79.6	26.95	
54	40.4	20.45	48.4	21.86	56.0	23.26	60.0	24.67	65.2	26.07	74.0	27.48	79.6	28.89	
60%	-5	34.5	4.06	41.2	4.42	47.9	4.88	51.3	6.24	55.6	6.80	63.4	7.56	68.0	8.67
	-2	34.5	4.12	41.2	4.48	47.9	4.94	51.3	6.33	55.6	6.92	63.4	7.68	68.0	8.73
	0	34.5	4.16	41.2	4.54	47.9	5.02	51.3	6.41	55.6	7.01	63.4	7.79	68.0	8.84
	2	34.5	4.22	41.2	4.59	47.9	5.08	51.3	6.53	55.6	7.11	63.4	7.95	68.0	8.96
	4	34.5	4.26	41.2	4.67	47.9	5.17	51.3	6.61	55.6	7.26	63.4	8.07	68.0	9.08
	6	34.5	4.35	41.2	4.74	47.9	5.27	51.3	6.76	55.6	7.40	63.4	8.23	68.0	9.30
	8	34.5	4.42	41.2	4.84	47.9	5.39	51.3	6.88	55.6	7.55	63.4	8.39	68.0	9.44
	10	34.5	4.51	41.2	4.93	47.9	5.49	51.3	7.08	55.6	7.67	63.4	8.55	68.0	9.43
	12	34.5	4.60	41.2	5.03	47.9	5.60	51.3	7.20	55.6	7.83	63.4	8.71	68.0	9.58
	14	34.5	4.69	41.2	5.14	47.9	5.70	51.3	7.33	55.6	7.96	63.4	8.86	68.0	9.74
	16	34.5	4.78	41.2	5.26	47.9	5.83	51.3	7.45	55.6	8.11	63.4	9.02	68.0	9.93
	18	34.5	4.88	41.2	5.37	47.9	5.94	51.3	7.58	55.6	8.27	63.4	9.18	68.0	10.12
	20	34.5	4.98	41.2	5.55	47.9	6.06	51.3	7.74	55.6	8.33	63.4	9.36	68.0	10.30
	21	34.5	5.03	41.2	5.78	47.9	6.17	51.3	8.29	55.6	8.49	63.4	9.46	68.0	10.52
	23	34.5	5.38	41.2	6.24	47.9	6.63	51.3	8.86	55.6	9.02	63.4	9.83	68.0	10.62
	25	34.5	5.76	41.2	6.73	47.9	7.12	51.3	9.35	55.6	9.62	63.4	10.49	68.0	11.31
	27	34.5	6.16	41.2	7.23	47.9	7.62	51.3	9.80	55.6	10.24	63.4	11.18	68.0	12.06
	29	34.5	6.59	41.2	7.77	47.9	8.15	51.3	10.22	55.6	10.90	63.4	11.93	68.0	12.87
	31	34.5	7.05	41.2	8.33	47.9	8.71	51.3	10.79	55.6	11.59	63.4	12.68	68.0	13.75
	33	34.5	7.52	41.2	8.93	47.9	9.32	51.3	11.24	55.6	12.31	63.4	13.50	68.0	14.63
	35	34.5	8.01	41.2	9.57	47.9	9.94	51.3	11.34	55.6	13.06	63.4	14.38	68.0	15.60
	37	34.5	8.54	41.2	10.24	47.9	10.60	51.3	11.85	55.6	13.88	63.4	15.28	68.0	16.60
	39	34.5	9.09	41.2	10.95	47.9	11.30	51.3	12.31	55.6	14.39	63.4	16.22	68.0	17.66
	41	34.5	9.43	41.2	11.37	47.9	11.73	51.3	12.76	55.6	14.89	63.4	16.99	68.0	18.79
43	34.5	9.77	41.2	11.60	47.9	12.15	51.3	13.36	55.6	15.62	63.4	17.71	68.0	19.64	
45	34.5	10.57	41.2	13.05	47.9	13.80	51.3	14.55	55.6	16.89	63.4	18.50	68.0	20.49	
48	34.5	12.13	41.2	13.61	47.9	15.08	51.3	16.55	55.6	18.03	63.4	19.50	68.0	20.98	
50	34.5	13.70	41.2	15.17	47.9	16.64	51.3	18.12	55.6	19.59	63.4	21.07	68.0	22.54	
52	34.5	15.26	41.2	16.74	47.9	18.21	51.3	19.68	55.6	21.16	63.4	22.63	68.0	24.11	
54	34.5	16.83	41.2	18.30	47.9	19.77	51.3	21.25	55.6	22.72	63.4	24.20	68.0	25.67	

Abbreviations:

CR: Combination ratio

TC: Total capacity (kW)

PI: Power input (compressor + outdoor fan motor) (kW)

Notes:

1. Shaded cells indicate rating condition.

Table continued on next page ...

Table 2-8.12: 30HP cooling capacity (continued)

CR	Outdoor air temp. (°CDB)	Indoor air temp. (°C DB/WD)													
		20.8/14		23.3/16		25.8/18		27/19		28.2/20		30.7/22		32/24	
		TC	PI	TC	PI	TC	PI	TC	PI	TC	PI	TC	PI	TC	PI
		kW	kW	kW	kW	kW	kW	kW	kW	kW	kW	kW	kW	kW	kW
50%	-5	29.0	3.36	34.6	3.66	40.2	4.04	42.9	5.54	46.5	5.75	52.9	6.53	57.0	7.04
	-2	29.0	3.41	34.6	3.71	40.2	4.09	42.9	5.67	46.5	5.85	52.9	6.62	57.0	7.14
	0	29.0	3.45	34.6	3.76	40.2	4.16	42.9	5.70	46.5	5.91	52.9	6.73	57.0	7.26
	2	29.0	3.50	34.6	3.80	40.2	4.21	42.9	5.71	46.5	6.02	52.9	6.76	57.0	7.40
	4	29.0	3.53	34.6	3.87	40.2	4.28	42.9	5.73	46.5	6.14	52.9	6.93	57.0	7.59
	6	29.0	3.61	34.6	3.92	40.2	4.37	42.9	5.78	46.5	6.25	52.9	7.03	57.0	7.81
	8	29.0	3.66	34.6	4.01	40.2	4.46	42.9	5.80	46.5	6.34	52.9	7.15	57.0	8.06
	10	29.0	3.73	34.6	4.08	40.2	4.55	42.9	5.75	46.5	6.52	52.9	7.34	57.0	8.18
	12	29.0	3.81	34.6	4.17	40.2	4.64	42.9	5.78	46.5	6.65	52.9	7.46	57.0	8.31
	14	29.0	3.89	34.6	4.26	40.2	4.72	42.9	5.81	46.5	6.75	52.9	7.60	57.0	8.48
	16	29.0	3.96	34.6	4.36	40.2	4.83	42.9	5.82	46.5	6.85	52.9	7.73	57.0	8.61
	18	29.0	4.04	34.6	4.45	40.2	4.92	42.9	5.85	46.5	6.98	52.9	7.86	57.0	8.77
	20	29.0	4.13	34.6	4.60	40.2	5.02	42.9	6.12	46.5	7.11	52.9	7.99	57.0	8.93
	21	29.0	4.16	34.6	4.79	40.2	5.11	42.9	6.44	46.5	7.17	52.9	8.08	57.0	9.03
	23	29.0	4.46	34.6	5.17	40.2	5.49	42.9	6.87	46.5	7.30	52.9	8.21	57.0	9.23
	25	29.0	4.77	34.6	5.57	40.2	5.89	42.9	7.31	46.5	7.53	52.9	8.64	57.0	9.84
	27	29.0	5.10	34.6	5.99	40.2	6.31	42.9	7.88	46.5	7.99	52.9	9.19	57.0	10.50
	29	29.0	5.46	34.6	6.43	40.2	6.75	42.9	8.12	46.5	8.51	52.9	9.78	57.0	11.18
	31	29.0	5.83	34.6	6.90	40.2	7.21	42.9	8.65	46.5	9.03	52.9	10.40	57.0	11.90
	33	29.0	6.23	34.6	7.40	40.2	7.71	42.9	9.12	46.5	9.58	52.9	11.05	57.0	12.65
35	29.0	6.63	34.6	7.93	40.2	8.23	42.9	9.39	46.5	10.14	52.9	11.74	57.0	13.43	
37	29.0	7.08	34.6	8.48	40.2	8.78	42.9	9.82	46.5	10.76	52.9	12.45	57.0	14.28	
39	29.0	7.53	34.6	9.07	40.2	9.36	42.9	10.20	46.5	11.41	52.9	13.20	57.0	15.16	
41	29.0	7.81	34.6	9.42	40.2	9.71	42.9	10.56	46.5	11.90	52.9	13.91	57.0	15.86	
43	29.0	8.09	34.6	9.60	40.2	10.06	42.9	11.25	46.5	12.21	52.9	14.61	57.0	16.57	
45	29.0	8.47	34.6	10.81	40.2	11.52	42.9	12.42	46.5	13.64	52.9	16.02	57.0	17.27	
48	29.0	9.95	34.6	11.36	40.2	12.77	42.9	14.18	46.5	15.59	52.9	16.99	57.0	18.40	
50	29.0	11.44	34.6	12.84	40.2	14.25	42.9	15.66	46.5	17.07	52.9	18.48	57.0	19.89	
52	29.0	12.92	34.6	14.33	40.2	15.74	42.9	17.14	46.5	18.55	52.9	19.96	57.0	21.37	
54	29.0	14.40	34.6	15.81	40.2	17.22	42.9	18.63	46.5	20.04	52.9	21.44	57.0	22.85	

**Abbreviations:**

CR: Combination ratio

TC: Total capacity (kW)

PI: Power input (compressor + outdoor fan motor) (kW)

**Notes:**

1. Shaded cells indicate rating condition.

Table 2-8.13: 32HP cooling capacity

CR	Outdoor air temp. (°CDB)	Indoor air temp. (°C DB/WD)													
		20.8/14		23.3/16		25.8/18		27/19		28.2/20		30.7/22		32/24	
		TC	PI	TC	PI	TC	PI	TC	PI	TC	PI	TC	PI	TC	PI
		kW	kW	kW	kW	kW	kW	kW	kW	kW	kW	kW	kW	kW	kW
130%	-5	81.5	13.29	99.1	14.89	111.8	16.06	115.0	17.43	123.0	18.61	126.4	20.23	127.3	20.36
	-2	81.5	13.29	99.1	15.21	111.8	16.06	116.0	17.54	123.0	18.61	126.4	20.49	127.3	20.57
	0	81.5	13.52	99.1	15.49	111.8	16.70	116.0	18.54	123.0	19.69	126.4	20.74	127.3	20.84
	2	81.5	13.76	99.1	15.53	111.8	17.32	116.0	19.62	123.0	19.92	126.4	20.89	127.3	21.15
	4	81.5	14.07	99.1	15.86	111.8	17.96	116.0	19.70	123.0	20.18	126.4	20.88	127.3	21.55
	6	81.5	14.34	99.1	16.20	111.8	18.67	116.0	19.87	120.9	20.80	122.7	20.88	127.3	21.71
	8	81.5	14.68	99.1	16.60	111.8	19.67	116.0	20.88	119.7	21.48	121.4	20.98	126.0	21.92
	10	81.5	14.99	99.1	16.99	111.8	20.45	116.0	21.60	118.5	21.63	121.0	21.63	124.4	22.56
	12	81.5	15.25	99.1	17.34	111.8	20.89	114.7	21.85	116.9	22.20	120.0	22.02	123.1	22.70
	14	81.5	15.56	99.1	17.69	111.1	20.98	113.8	21.96	115.4	22.40	119.2	22.39	121.5	23.21
	16	81.5	15.82	99.1	18.09	109.8	21.56	111.8	22.40	113.9	22.86	118.3	22.92	120.4	23.58
	18	81.5	16.12	99.1	18.48	108.2	21.90	110.0	22.69	112.5	23.49	117.5	23.71	119.3	23.93
	20	81.5	16.48	99.1	19.75	107.0	23.04	108.4	23.83	111.0	24.63	116.6	24.85	118.1	25.11
	21	81.5	16.91	99.1	20.50	106.5	23.61	108.7	24.40	109.6	25.20	115.8	25.46	117.0	25.68
	23	81.5	18.14	99.1	22.07	104.6	24.75	106.3	25.54	108.1	26.34	114.9	26.60	115.9	26.86
	25	81.5	19.37	99.1	23.74	102.9	25.88	104.7	26.68	106.6	27.52	114.1	27.78	114.8	28.04
	27	81.5	20.68	99.1	25.49	101.6	27.02	103.2	28.40	105.2	28.66	113.2	28.97	113.6	29.27
	29	81.5	22.09	99.1	27.33	100.0	28.16	101.8	29.93	103.7	29.84	112.4	30.15	112.5	30.45
	31	81.5	23.58	95.7	29.00	98.5	29.35	100.5	31.41	102.3	30.98	111.5	31.33	111.4	31.68
	33	81.5	25.11	94.1	30.14	97.0	30.48	98.7	33.12	100.8	32.16	110.7	32.51	110.3	32.87
	35	81.5	26.77	92.4	31.27	95.6	31.67	97.0	33.17	99.3	33.35	109.8	33.74	109.1	34.09
	37	81.5	28.48	91.1	32.68	94.1	32.85	95.9	33.69	97.9	34.57	109.0	34.97	108.0	35.36
	39	81.5	30.32	89.5	33.97	92.4	34.14	94.4	34.87	97.0	35.76	108.1	36.15	106.9	36.59
	41	81.5	31.91	88.6	35.27	91.5	35.42	92.9	36.05	94.4	36.75	97.4	37.13	105.7	37.58
	43	81.5	33.18	87.9	36.57	91.0	37.70	91.4	38.23	93.4	38.63	95.6	38.96	104.6	39.33
	45	81.5	34.44	87.4	38.20	90.0	39.32	89.9	40.07	92.1	40.46	93.0	40.71	103.5	41.58
	48	81.5	39.01	86.8	40.01	89.0	41.00	88.3	42.00	90.7	42.99	90.4	43.99	102.4	44.98
	50	81.5	43.59	84.1	44.59	87.2	45.58	86.8	46.58	89.1	47.57	84.9	48.57	101.2	49.56
52	81.5	48.17	82.9	49.16	85.9	50.16	85.3	51.15	87.6	52.15	80.9	53.14	100.1	54.14	
54	81.5	52.75	81.6	53.74	84.7	54.74	83.8	55.73	86.2	56.73	76.9	57.72	99.0	58.72	
120%	-5	76.2	12.82	88.5	13.88	102.9	16.06	111.9	18.05	117.2	19.23	119.8	20.89	122.5	21.46
	-2	76.2	12.95	88.5	14.05	102.9	16.24	111.9	18.17	117.2	19.48	119.8	21.06	122.5	21.53
	0	76.2	13.07	88.5	14.15	102.9	16.46	111.9	18.22	117.2	19.66	119.8	21.19	122.5	21.58
	2	76.2	13.10	88.5	14.32	102.9	16.59	111.9	18.41	117.2	19.75	119.8	21.36	122.5	21.62
	4	76.2	13.23	88.5	14.52	102.9	16.85	111.9	18.59	117.2	20.03	119.8	21.40	122.5	21.69
	6	76.2	13.37	88.5	14.65	102.9	17.08	111.9	18.83	117.2	20.27	119.8	21.58	122.5	21.75
	8	76.2	13.49	88.5	14.81	102.9	17.34	111.9	19.09	117.2	20.49	119.8	21.66	122.5	21.86
	10	76.2	13.65	88.5	15.03	102.9	17.52	111.9	19.47	117.2	20.50	119.8	21.72	122.5	21.96
	12	76.2	13.92	88.5	15.34	102.9	17.91	111.9	19.87	115.6	20.60	118.2	21.60	120.8	22.11
	14	76.2	14.18	88.5	15.69	102.9	18.31	111.9	20.30	113.9	20.73	116.9	21.94	119.5	22.38
	16	76.2	14.44	88.5	16.03	102.9	18.70	111.7	20.59	112.6	21.06	115.3	22.31	117.9	22.73
	18	76.2	14.70	88.5	16.39	102.9	19.40	109.5	21.22	111.0	21.64	113.6	22.84	116.6	23.06
	20	76.2	15.01	88.5	17.08	102.9	21.07	108.3	22.36	109.7	22.77	112.3	23.98	114.9	24.20
	21	76.2	15.14	88.5	17.74	102.9	21.90	106.4	23.75	108.7	23.34	111.7	24.55	114.3	24.81
	23	76.2	16.19	88.5	19.14	102.9	23.60	104.2	25.63	107.4	24.48	110.0	25.73	112.6	25.95
	25	76.2	17.29	88.5	20.59	101.2	24.74	102.9	26.74	105.8	25.62	108.7	26.87	111.3	27.13
	27	76.2	18.47	88.5	22.12	99.9	25.84	101.3	28.48	104.4	26.80	107.1	28.05	109.7	28.31
	29	76.2	19.69	88.5	23.74	98.3	26.97	99.6	29.69	102.8	27.94	105.4	29.23	108.4	29.50
	31	76.2	21.01	88.5	25.44	96.7	28.16	98.3	31.15	101.5	29.12	104.1	30.41	106.7	30.72
	33	76.2	22.36	88.5	27.24	95.3	29.29	96.7	32.48	99.9	30.26	102.5	31.60	105.1	31.90
	35	76.2	23.81	88.5	29.17	93.8	30.43	95.0	32.91	98.5	31.44	101.2	32.78	103.8	33.13
	37	76.2	25.34	88.5	31.18	92.4	31.61	93.8	33.10	96.0	33.30	99.5	33.96	102.2	34.35
	39	76.2	26.96	88.1	33.02	90.8	32.75	92.2	33.30	94.3	33.80	98.2	35.19	100.8	35.53
	41	76.2	28.45	87.4	33.26	90.0	33.91	91.4	34.86	92.7	34.98	95.6	36.36	98.0	36.75
	43	76.2	29.70	87.0	33.51	89.3	34.86	90.6	35.64	92.0	36.17	93.9	37.55	96.5	37.95
	45	76.2	30.95	86.5	33.84	88.5	35.55	89.7	36.89	91.1	37.35	92.0	38.74	95.8	39.16
	48	76.2	35.49	85.9	36.48	87.7	37.46	88.9	38.45	90.4	39.44	90.3	40.43	94.6	41.41
	50	76.2	40.03	85.4	41.02	86.7	42.00	87.8	42.99	88.9	43.98	88.3	44.97	92.6	45.95
52	76.2	44.57	84.9	45.56	85.8	46.55	86.9	47.53	87.8	48.52	86.4	49.51	91.0	50.50	
54	76.2	49.11	84.4	50.10	84.9	51.09	86.0	52.08	86.8	53.06	84.5	54.05	89.5	55.04	

Abbreviations:  
 CR: Combination ratio  
 TC: Total capacity (kW)  
 PI: Power input (compressor + outdoor fan motor) (kW)

Notes:  
 1. Shaded cells indicate rating condition.

Table continued on next page ...

Table 2-8.13: 32HP cooling capacity (continued)

CR	Outdoor air temp. (°CDB)	Indoor air temp. (°C DB/WD)													
		20.8/14		23.3/16		25.8/18		27/19		28.2/20		30.7/22		32/24	
		TC	PI	TC	PI	TC	PI	TC	PI	TC	PI	TC	PI	TC	PI
		kW	kW	kW	kW	kW	kW	kW	kW	kW	kW	kW	kW	kW	kW
110%	-5	70.3	11.20	81.3	12.64	98.3	15.01	101.5	16.88	109.4	18.57	117.6	19.31	120.2	20.58
	-2	70.3	11.42	81.3	12.82	98.3	15.15	101.5	17.06	109.4	18.72	117.6	19.51	120.2	20.69
	0	70.3	11.53	81.3	12.90	98.3	15.28	101.5	17.18	109.4	18.93	117.6	19.71	120.2	20.94
	2	70.3	11.79	81.3	13.04	98.3	15.54	101.5	17.37	109.4	19.14	117.6	20.00	120.2	21.20
	4	70.3	12.02	81.3	13.20	98.3	15.70	101.5	17.60	109.4	19.44	117.6	20.29	120.2	21.40
	6	70.3	12.14	81.3	13.37	98.3	15.87	101.5	17.90	109.4	19.67	117.6	20.50	120.2	21.73
	8	70.3	12.25	81.3	13.60	98.3	16.07	101.5	18.09	109.4	19.90	117.6	20.65	120.2	21.95
	10	70.3	12.39	81.3	13.80	98.3	16.32	101.5	18.42	109.4	20.24	117.6	20.80	120.2	22.14
	12	70.3	12.66	81.3	14.11	98.3	16.67	101.5	18.82	109.4	20.63	116.3	21.11	118.5	22.43
	14	70.3	12.88	81.3	14.37	98.3	17.02	101.5	19.17	109.4	21.03	114.6	21.29	117.2	22.59
	16	70.3	13.10	81.3	14.68	98.3	17.37	101.5	19.56	109.4	21.46	113.3	21.55	115.6	22.84
	18	70.3	13.36	81.3	14.99	98.3	17.77	101.5	20.13	109.4	22.52	111.7	22.69	114.3	23.56
	20	70.3	13.62	81.3	15.34	98.3	18.90	101.5	21.71	107.7	23.66	110.4	23.83	112.7	24.70
	21	70.3	13.75	81.3	15.82	98.3	19.65	101.5	23.41	107.1	24.22	109.4	24.40	112.0	25.27
	23	70.3	14.41	81.3	17.04	98.3	21.19	101.5	24.92	105.4	25.32	108.1	25.58	110.4	26.46
	25	70.3	15.37	81.3	18.31	98.3	22.76	101.5	26.58	104.1	26.46	106.4	26.72	109.0	27.59
	27	70.3	16.38	81.3	19.67	98.3	24.47	100.2	27.87	102.5	27.60	105.1	27.86	107.4	28.78
	29	70.3	17.47	81.3	21.07	98.3	26.26	98.4	29.49	101.2	28.78	103.5	29.04	106.1	29.96
	31	70.3	18.61	81.3	22.56	98.3	28.15	96.5	31.12	99.5	29.92	102.2	30.18	104.5	31.14
	33	70.3	19.80	81.3	24.14	98.3	29.77	96.0	32.32	98.2	31.06	100.5	31.36	103.1	32.33
	35	70.3	21.07	81.3	25.80	93.0	30.91	93.4	32.72	96.6	32.24	98.9	32.55	101.5	33.51
	37	70.3	23.06	81.3	27.56	90.8	32.09	92.4	32.88	95.0	33.38	97.6	33.73	99.9	34.69
	39	70.3	25.03	81.3	29.44	89.2	33.23	90.6	34.06	93.3	34.56	95.9	34.91	98.6	35.92
	41	70.3	27.00	81.3	29.69	87.5	33.47	89.8	34.31	91.8	34.81	92.9	35.32	95.6	36.16
	43	70.3	28.97	81.3	30.08	85.9	33.72	88.8	34.55	90.2	35.05	92.1	36.24	94.2	36.90
	45	70.3	30.61	81.3	31.15	84.2	34.41	87.2	35.27	88.7	35.76	89.7	37.04	92.1	38.12
48	70.3	35.12	81.3	36.11	82.6	37.09	86.0	38.07	87.2	39.05	88.7	40.03	90.1	41.01	
50	70.3	39.64	79.5	40.62	81.0	41.60	84.7	42.58	85.6	43.57	86.7	44.55	88.1	45.53	
52	70.3	44.16	77.6	45.14	79.3	46.12	83.4	47.10	84.1	48.08	84.9	49.06	86.1	50.04	
54	70.3	48.67	75.8	49.65	77.7	50.63	82.2	51.62	82.5	52.60	83.2	53.58	84.1	54.56	
100%	-5	63.1	11.51	74.1	12.53	88.7	13.82	90.0	16.22	97.6	15.85	112.2	17.55	115.6	19.35
	-2	63.1	11.67	74.1	12.70	88.7	14.10	90.0	16.35	97.6	16.07	112.2	17.77	115.6	19.48
	0	63.1	11.80	74.1	12.86	88.7	14.34	90.0	16.60	97.6	16.23	112.2	18.09	115.6	19.70
	2	63.1	11.97	74.1	13.02	88.7	14.66	90.0	16.75	97.6	16.42	112.2	18.38	115.6	20.02
	4	63.1	12.08	74.1	13.24	88.7	14.85	90.0	17.00	97.6	16.65	112.2	18.58	115.6	20.25
	6	63.1	12.34	74.1	13.43	88.7	15.11	90.0	17.36	97.6	16.91	112.2	18.87	115.6	20.57
	8	63.1	12.53	74.1	13.72	88.7	15.39	90.0	17.67	97.6	17.19	112.2	19.19	115.6	20.92
	10	63.1	12.79	74.1	13.97	88.7	15.63	90.0	17.95	97.6	17.53	112.2	19.53	115.6	21.23
	12	63.1	13.05	74.1	14.27	88.7	16.22	90.0	18.31	97.6	17.88	112.2	19.92	114.0	21.40
	14	63.1	13.31	74.1	14.58	88.7	16.98	90.0	19.47	97.6	18.22	112.2	20.35	112.7	21.67
	16	63.1	13.56	74.1	14.92	88.7	17.39	90.0	19.96	97.6	18.62	108.8	20.61	111.1	21.93
	18	63.1	13.82	74.1	15.22	88.7	18.06	90.0	20.75	97.6	19.00	107.6	21.35	109.8	22.49
	20	63.1	14.13	74.1	15.75	88.7	19.57	90.0	22.16	97.6	20.43	105.9	22.43	108.2	23.61
	21	63.1	14.26	74.1	16.39	88.7	20.96	90.0	23.51	97.6	21.17	105.3	23.00	107.6	24.18
	23	63.1	15.25	74.1	17.69	88.7	22.55	90.0	25.13	97.6	22.77	104.0	24.12	105.9	25.30
	25	63.1	16.34	74.1	19.08	88.7	24.33	90.0	26.39	97.6	24.46	102.4	25.25	104.7	26.43
	27	63.1	17.46	74.1	20.51	88.7	25.76	90.0	27.97	97.6	26.24	100.8	26.37	103.1	27.60
	29	63.1	18.68	74.1	22.03	88.7	27.70	90.0	28.80	97.3	27.93	99.5	28.51	101.8	28.72
	31	63.1	19.98	74.1	23.63	88.7	29.62	90.0	29.33	96.0	29.05	97.9	29.53	100.2	29.89
	33	63.1	21.32	74.1	25.32	88.7	31.03	90.0	30.16	94.4	30.18	96.6	30.62	98.9	31.06
	35	63.1	22.70	74.1	27.14	88.7	31.66	90.0	32.14	92.8	32.19	95.0	32.51	97.3	32.83
	37	63.1	24.22	74.1	29.04	88.7	31.89	88.8	33.60	91.8	34.08	93.7	34.51	95.7	34.97
	39	63.1	25.78	74.1	31.03	88.7	32.46	87.7	34.91	90.6	35.50	92.1	36.21	94.4	36.50
	41	63.1	26.74	74.1	32.24	88.7	32.95	86.6	36.16	89.3	36.90	88.8	37.25	93.0	37.65
	43	63.1	27.71	74.1	32.87	88.7	34.04	86.3	37.88	88.1	38.48	89.3	39.14	89.6	39.44
	45	63.1	28.99	74.1	33.79	88.7	36.18	85.7	40.28	86.8	42.51	88.5	44.64	88.2	45.50
48	63.1	33.43	74.1	36.00	88.7	38.57	84.7	43.39	85.6	45.96	86.5	48.53	86.9	51.11	
50	63.1	37.86	74.1	40.44	88.7	43.01	84.0	45.58	84.3	48.15	85.2	50.72	85.6	53.29	
52	63.1	42.30	74.1	44.87	88.7	47.44	83.2	50.01	83.1	52.58	83.9	55.16	84.2	57.73	
54	63.1	46.73	74.1	49.31	88.7	51.88	82.4	54.45	81.8	57.02	82.5	59.59	82.9	62.16	

**Abbreviations:**

CR: Combination ratio

TC: Total capacity (kW)

PI: Power input (compressor + outdoor fan motor) (kW)

**Notes:**

- Shaded cells indicate rating condition.

Table continued on next page ...

Table 2-8.13: 32HP cooling capacity (continued)

CR	Outdoor air temp. (°CDB)	Indoor air temp. (°C DB/WD)													
		20.8/14		23.3/16		25.8/18		27/19		28.2/20		30.7/22		32/24	
		TC	PI	TC	PI	TC	PI	TC	PI	TC	PI	TC	PI	TC	PI
		kW	kW	kW	kW	kW	kW	kW	kW	kW	kW	kW	kW	kW	kW
90%	-5	54.8	9.20	65.5	10.03	76.1	11.06	81.3	12.98	88.1	12.68	100.3	14.04	107.7	15.48
	-2	54.8	9.33	65.5	10.16	76.1	11.28	81.3	13.08	88.1	12.86	100.3	14.22	107.7	15.58
	0	54.8	9.44	65.5	10.28	76.1	11.47	81.3	13.28	88.1	12.98	100.3	14.48	107.7	15.76
	2	54.8	9.57	65.5	10.41	76.1	11.73	81.3	13.40	88.1	13.14	100.3	14.71	107.7	16.02
	4	54.8	9.67	65.5	10.59	76.1	11.88	81.3	13.60	88.1	13.32	100.3	14.86	107.7	16.20
	6	54.8	9.87	65.5	10.75	76.1	12.08	81.3	13.89	88.1	13.52	100.3	15.09	107.7	16.46
	8	54.8	10.03	65.5	10.97	76.1	12.31	81.3	14.14	88.1	13.76	100.3	15.35	107.7	16.74
	10	54.8	10.23	65.5	11.17	76.1	12.51	81.3	14.36	88.1	14.03	100.3	15.63	107.7	16.99
	12	54.8	10.44	65.5	11.42	76.1	12.98	81.3	14.65	88.1	14.30	100.3	15.94	107.7	17.12
	14	54.8	10.64	65.5	11.66	76.1	13.59	81.3	15.58	88.1	14.58	100.3	16.28	107.7	17.34
	16	54.8	10.85	65.5	11.94	76.1	13.92	81.3	15.97	88.1	14.89	100.3	16.49	107.7	17.54
	18	54.8	11.06	65.5	12.18	76.1	14.45	81.3	16.60	88.1	15.20	100.3	17.08	107.7	17.99
	20	54.8	11.30	65.5	12.60	76.1	15.65	81.3	17.73	88.1	16.35	100.3	17.95	107.7	18.89
	21	54.8	11.41	65.5	13.12	76.1	16.77	81.3	18.81	88.1	16.94	100.3	18.40	107.7	19.34
	23	54.8	12.20	65.5	14.15	76.1	18.04	81.3	20.10	88.1	18.22	100.3	19.30	107.7	20.24
	25	54.8	13.07	65.5	15.26	76.1	19.46	81.3	21.11	88.1	19.57	100.3	20.20	107.7	21.14
	27	54.8	13.97	65.5	16.41	76.1	20.61	81.3	22.38	88.1	20.99	100.3	21.10	107.7	22.08
	29	54.8	14.94	65.5	17.62	76.1	22.16	81.3	23.04	88.1	22.34	100.3	22.81	107.7	22.98
	31	54.8	15.98	65.5	18.90	76.1	23.69	81.3	23.46	88.1	23.24	100.3	23.63	107.7	23.91
	33	54.8	17.05	65.5	20.25	76.1	24.82	81.3	24.13	88.1	24.14	100.3	24.50	107.7	24.85
	35	54.8	18.16	65.5	21.71	76.1	25.33	81.3	25.71	88.1	25.75	100.3	26.01	107.7	26.27
	37	54.8	19.38	65.5	23.23	76.1	25.51	81.3	26.86	88.1	27.27	100.3	27.61	107.7	27.97
	39	54.8	20.62	65.5	24.83	76.1	25.97	81.3	27.30	88.1	28.40	100.3	28.96	107.7	29.20
	41	54.8	21.39	65.5	25.79	76.1	26.36	81.3	27.81	88.1	29.52	100.3	29.80	107.7	30.12
	43	54.8	22.17	65.5	26.30	76.1	27.23	81.3	28.34	88.1	30.78	100.3	31.31	107.7	31.55
45	54.8	23.19	65.5	27.03	76.1	28.94	81.3	28.84	88.1	31.44	100.3	32.63	107.7	33.32	
48	54.8	26.74	65.5	28.03	76.1	29.31	81.3	30.60	88.1	31.89	100.3	33.17	107.7	34.46	
50	54.8	30.29	65.5	31.58	76.1	32.86	81.3	34.15	88.1	35.43	100.3	36.72	107.7	38.00	
52	54.8	33.84	65.5	35.13	76.1	36.41	81.3	37.70	88.1	38.98	100.3	40.27	107.7	41.55	
54	54.8	37.39	65.5	38.67	76.1	39.96	81.3	41.24	88.1	42.53	100.3	43.82	107.7	45.10	
80%	-5	48.8	7.04	58.2	7.28	67.6	8.46	72.5	7.89	78.8	10.51	89.6	12.08	96.1	13.83
	-2	48.8	7.14	58.2	7.36	67.6	8.58	72.5	7.91	78.8	10.63	89.6	12.20	96.1	13.97
	0	48.8	7.22	58.2	7.46	67.6	8.72	72.5	8.09	78.8	10.77	89.6	12.34	96.1	14.08
	2	48.8	7.33	58.2	7.56	67.6	8.81	72.5	8.44	78.8	10.94	89.6	12.59	96.1	14.28
	4	48.8	7.40	58.2	7.67	67.6	8.97	72.5	8.46	78.8	11.08	89.6	12.79	96.1	14.49
	6	48.8	7.56	58.2	7.83	67.6	9.15	72.5	8.70	78.8	11.27	89.6	12.99	96.1	14.74
	8	48.8	7.67	58.2	7.99	67.6	9.35	72.5	9.03	78.8	11.47	89.6	13.23	96.1	14.88
	10	48.8	7.83	58.2	8.17	67.6	9.53	72.5	9.13	78.8	11.73	89.6	13.40	96.1	15.11
	12	48.8	7.99	58.2	8.33	67.6	9.71	72.5	9.36	78.8	11.95	89.6	13.66	96.1	15.39
	14	48.8	8.15	58.2	8.48	67.6	9.90	72.5	9.54	78.8	12.17	89.6	13.90	96.1	15.67
	16	48.8	8.30	58.2	8.64	67.6	10.12	72.5	9.78	78.8	12.41	89.6	14.18	96.1	15.95
	18	48.8	8.46	58.2	8.82	67.6	10.30	72.5	10.12	78.8	12.66	89.6	14.46	96.1	16.45
	20	48.8	8.65	58.2	9.04	67.6	10.52	72.5	11.01	78.8	13.13	89.6	15.55	96.1	17.22
	21	48.8	8.73	58.2	9.10	67.6	10.71	72.5	11.84	78.8	13.59	89.6	16.11	96.1	17.63
	23	48.8	9.34	58.2	9.48	67.6	11.51	72.5	12.83	78.8	14.59	89.6	17.29	96.1	18.43
	25	48.8	10.00	58.2	10.16	67.6	12.35	72.5	13.80	78.8	15.58	89.6	18.50	96.1	19.24
	27	48.8	10.69	58.2	10.84	67.6	13.22	72.5	15.13	78.8	16.67	89.6	19.80	96.1	20.05
	29	48.8	11.43	58.2	11.59	67.6	14.15	72.5	15.76	78.8	17.81	89.6	20.70	96.1	20.85
	31	48.8	12.23	58.2	12.36	67.6	15.11	72.5	16.85	78.8	18.99	89.6	21.51	96.1	21.69
	33	48.8	13.05	58.2	13.17	67.6	16.17	72.5	17.95	78.8	20.27	89.6	22.34	96.1	22.50
	35	48.8	13.90	58.2	14.04	67.6	17.25	72.5	19.68	78.8	21.60	89.6	23.15	96.1	23.34
	37	48.8	14.83	58.2	14.94	67.6	18.40	72.5	20.57	78.8	23.03	89.6	23.96	96.1	24.14
	39	48.8	15.78	58.2	15.93	67.6	19.61	72.5	21.37	78.8	24.56	89.6	24.80	96.1	24.98
	41	48.8	16.37	58.2	16.67	67.6	20.35	72.5	22.14	78.8	24.67	89.6	25.43	96.1	25.57
	43	48.8	16.96	58.2	17.41	67.6	21.09	72.5	23.19	78.8	25.19	89.6	25.76	96.1	25.97
45	48.8	17.75	58.2	18.29	67.6	21.97	72.5	24.66	78.8	25.89	89.6	26.03	96.1	26.32	
48	48.8	20.47	58.2	22.04	67.6	23.61	72.5	25.19	78.8	26.76	89.6	28.34	96.1	29.91	
50	48.8	23.18	58.2	24.75	67.6	26.33	72.5	27.90	78.8	29.48	89.6	31.05	96.1	32.62	
52	48.8	25.90	58.2	27.47	67.6	29.04	72.5	30.62	78.8	32.19	89.6	33.77	96.1	35.34	
54	48.8	28.61	58.2	30.19	67.6	31.76	72.5	33.33	78.8	34.91	89.6	36.48	96.1	38.06	

Abbreviations:  
 CR: Combination ratio  
 TC: Total capacity (kW)  
 PI: Power input (compressor + outdoor fan motor) (kW)

Notes:  
 1. Shaded cells indicate rating condition.

Table continued on next page ...

Table 2-8.13: 32HP cooling capacity (continued)

CR	Outdoor air temp. (°CDB)	Indoor air temp. (°C DB/WD)													
		20.8/14		23.3/16		25.8/18		27/19		28.2/20		30.7/22		32/24	
		TC	PI	TC	PI	TC	PI	TC	PI	TC	PI	TC	PI	TC	PI
		kW	kW	kW	kW	kW	kW	kW	kW	kW	kW	kW	kW	kW	kW
70%	-5	42.8	5.71	51.2	5.90	59.3	6.86	63.5	7.92	69.0	8.52	78.4	9.80	84.3	11.22
	-2	42.8	5.79	51.2	5.97	59.3	6.96	63.5	7.96	69.0	8.62	78.4	9.89	84.3	11.33
	0	42.8	5.86	51.2	6.05	59.3	7.07	63.5	8.00	69.0	8.73	78.4	10.00	84.3	11.42
	2	42.8	5.94	51.2	6.13	59.3	7.15	63.5	8.22	69.0	8.87	78.4	10.21	84.3	11.58
	4	42.8	6.00	51.2	6.22	59.3	7.28	63.5	8.35	69.0	8.98	78.4	10.37	84.3	11.75
	6	42.8	6.13	51.2	6.35	59.3	7.42	63.5	8.51	69.0	9.14	78.4	10.53	84.3	11.95
	8	42.8	6.22	51.2	6.48	59.3	7.58	63.5	8.65	69.0	9.30	78.4	10.73	84.3	12.06
	10	42.8	6.35	51.2	6.63	59.3	7.73	63.5	8.80	69.0	9.51	78.4	10.86	84.3	12.25
	12	42.8	6.48	51.2	6.75	59.3	7.88	63.5	8.96	69.0	9.69	78.4	11.07	84.3	12.48
	14	42.8	6.61	51.2	6.88	59.3	8.03	63.5	9.26	69.0	9.86	78.4	11.27	84.3	12.71
	16	42.8	6.73	51.2	7.00	59.3	8.20	63.5	9.29	69.0	10.07	78.4	11.50	84.3	12.93
	18	42.8	6.86	51.2	7.16	59.3	8.35	63.5	9.31	69.0	10.27	78.4	11.73	84.3	13.34
	20	42.8	7.01	51.2	7.33	59.3	8.53	63.5	9.92	69.0	10.64	78.4	12.61	84.3	13.97
	21	42.8	7.08	51.2	7.38	59.3	8.68	63.5	10.62	69.0	11.02	78.4	13.06	84.3	14.29
	23	42.8	7.57	51.2	7.68	59.3	9.33	63.5	11.20	69.0	11.83	78.4	14.02	84.3	14.95
	25	42.8	8.11	51.2	8.24	59.3	10.01	63.5	12.03	69.0	12.63	78.4	15.00	84.3	15.60
	27	42.8	8.67	51.2	8.79	59.3	10.72	63.5	12.89	69.0	13.51	78.4	16.05	84.3	16.26
	29	42.8	9.27	51.2	9.39	59.3	11.47	63.5	13.49	69.0	14.45	78.4	16.79	84.3	16.91
	31	42.8	9.92	51.2	10.02	59.3	12.25	63.5	14.38	69.0	15.40	78.4	17.44	84.3	17.59
	33	42.8	10.58	51.2	10.68	59.3	13.11	63.5	15.25	69.0	16.43	78.4	18.12	84.3	18.24
	35	42.8	11.27	51.2	11.38	59.3	13.99	63.5	15.95	69.0	17.51	78.4	18.77	84.3	18.92
	37	42.8	12.02	51.2	12.11	59.3	14.92	63.5	16.68	69.0	18.67	78.4	19.43	84.3	19.58
	39	42.8	12.80	51.2	12.92	59.3	15.90	63.5	17.33	69.0	19.91	78.4	20.11	84.3	20.26
	41	42.8	13.28	51.2	13.52	59.3	16.50	63.5	17.95	69.0	20.00	78.4	20.62	84.3	20.74
43	42.8	13.75	51.2	14.11	59.3	17.10	63.5	18.80	69.0	20.43	78.4	20.89	84.3	21.06	
45	42.8	14.39	51.2	14.83	59.3	17.82	63.5	20.00	69.0	20.99	78.4	22.70	84.3	23.67	
48	42.8	16.59	51.2	18.19	59.3	19.78	63.5	21.38	69.0	22.98	78.4	24.57	84.3	26.17	
50	42.8	18.80	51.2	20.39	59.3	21.99	63.5	23.58	69.0	25.18	78.4	26.77	84.3	28.37	
52	42.8	21.00	51.2	22.59	59.3	24.19	63.5	25.78	69.0	27.38	78.4	28.97	84.3	30.57	
54	42.8	23.20	51.2	24.79	59.3	26.39	63.5	27.99	69.0	29.58	78.4	31.18	84.3	32.77	
60%	-5	36.5	4.60	43.6	5.02	50.7	5.53	54.3	7.07	58.9	7.72	67.1	8.58	72.0	9.84
	-2	36.5	4.67	43.6	5.08	50.7	5.61	54.3	7.18	58.9	7.85	67.1	8.71	72.0	9.90
	0	36.5	4.72	43.6	5.14	50.7	5.70	54.3	7.27	58.9	7.95	67.1	8.84	72.0	10.03
	2	36.5	4.79	43.6	5.21	50.7	5.76	54.3	7.41	58.9	8.07	67.1	9.02	72.0	10.16
	4	36.5	4.84	43.6	5.30	50.7	5.87	54.3	7.50	58.9	8.23	67.1	9.16	72.0	10.30
	6	36.5	4.94	43.6	5.38	50.7	5.98	54.3	7.67	58.9	8.40	67.1	9.34	72.0	10.55
	8	36.5	5.02	43.6	5.49	50.7	6.11	54.3	7.81	58.9	8.56	67.1	9.52	72.0	10.71
	10	36.5	5.12	43.6	5.59	50.7	6.23	54.3	8.03	58.9	8.71	67.1	9.70	72.0	10.70
	12	36.5	5.22	43.6	5.71	50.7	6.35	54.3	8.17	58.9	8.88	67.1	9.88	72.0	10.87
	14	36.5	5.33	43.6	5.83	50.7	6.47	54.3	8.31	58.9	9.03	67.1	10.06	72.0	11.05
	16	36.5	5.43	43.6	5.97	50.7	6.61	54.3	8.46	58.9	9.20	67.1	10.23	72.0	11.26
	18	36.5	5.53	43.6	6.09	50.7	6.73	54.3	8.60	58.9	9.38	67.1	10.41	72.0	11.48
	20	36.5	5.65	43.6	6.30	50.7	6.88	54.3	8.78	58.9	9.45	67.1	10.62	72.0	11.69
	21	36.5	5.71	43.6	6.56	50.7	7.00	54.3	9.41	58.9	9.63	67.1	10.73	72.0	11.94
	23	36.5	6.10	43.6	7.08	50.7	7.53	54.3	10.05	58.9	10.23	67.1	11.16	72.0	12.05
	25	36.5	6.54	43.6	7.64	50.7	8.07	54.3	10.60	58.9	10.91	67.1	11.90	72.0	12.83
	27	36.5	6.99	43.6	8.21	50.7	8.64	54.3	11.12	58.9	11.62	67.1	12.68	72.0	13.68
	29	36.5	7.47	43.6	8.81	50.7	9.25	54.3	11.60	58.9	12.36	67.1	13.54	72.0	14.60
	31	36.5	7.99	43.6	9.46	50.7	9.88	54.3	12.24	58.9	13.15	67.1	14.39	72.0	15.60
	33	36.5	8.53	43.6	10.13	50.7	10.57	54.3	12.76	58.9	13.96	67.1	15.31	72.0	16.59
	35	36.5	9.09	43.6	10.86	50.7	11.28	54.3	12.86	58.9	14.82	67.1	16.31	72.0	17.69
	37	36.5	9.69	43.6	11.62	50.7	12.03	54.3	13.45	58.9	15.74	67.1	17.34	72.0	18.83
	39	36.5	10.32	43.6	12.42	50.7	12.82	54.3	13.97	58.9	16.32	67.1	18.40	72.0	20.04
	41	36.5	10.70	43.6	12.90	50.7	13.30	54.3	14.47	58.9	16.89	67.1	19.27	72.0	21.32
43	36.5	11.09	43.6	13.16	50.7	13.79	54.3	15.16	58.9	17.73	67.1	20.09	72.0	22.28	
45	36.5	11.99	43.6	14.81	50.7	15.65	54.3	16.51	58.9	19.16	67.1	20.99	72.0	23.25	
48	36.5	13.76	43.6	15.44	50.7	17.11	54.3	18.78	58.9	20.45	67.1	22.12	72.0	23.80	
50	36.5	15.54	43.6	17.21	50.7	18.88	54.3	20.56	58.9	22.23	67.1	23.90	72.0	25.57	
52	36.5	17.31	43.6	18.99	50.7	20.66	54.3	22.33	58.9	24.00	67.1	25.67	72.0	27.35	
54	36.5	19.09	43.6	20.76	50.7	22.43	54.3	24.11	58.9	25.78	67.1	27.45	72.0	29.12	

**Abbreviations:**

CR: Combination ratio

TC: Total capacity (kW)

PI: Power input (compressor + outdoor fan motor) (kW)

**Notes:**

1. Shaded cells indicate rating condition.

Table continued on next page ...



Table 2-8.13: 32HP cooling capacity (continued)

CR	Outdoor air temp. (°CDB)	Indoor air temp. (°C DB/WD)													
		20.8/14		23.3/16		25.8/18		27/19		28.2/20		30.7/22		32/24	
		TC kW	PI kW	TC kW	PI kW	TC kW	PI kW	TC kW	PI kW	TC kW	PI kW	TC kW	PI kW	TC kW	PI kW
50%	-5	30.7	3.81	36.7	4.15	42.5	4.58	45.5	6.28	49.3	6.52	56.0	7.41	60.4	7.99
	-2	30.7	3.87	36.7	4.21	42.5	4.64	45.5	6.44	49.3	6.64	56.0	7.51	60.4	8.09
	0	30.7	3.91	36.7	4.26	42.5	4.72	45.5	6.46	49.3	6.71	56.0	7.64	60.4	8.23
	2	30.7	3.97	36.7	4.31	42.5	4.77	45.5	6.48	49.3	6.83	56.0	7.67	60.4	8.39
	4	30.7	4.00	36.7	4.39	42.5	4.86	45.5	6.50	49.3	6.97	56.0	7.86	60.4	8.61
	6	30.7	4.09	36.7	4.45	42.5	4.95	45.5	6.55	49.3	7.09	56.0	7.98	60.4	8.86
	8	30.7	4.15	36.7	4.55	42.5	5.06	45.5	6.58	49.3	7.19	56.0	8.11	60.4	9.15
	10	30.7	4.24	36.7	4.63	42.5	5.16	45.5	6.52	49.3	7.40	56.0	8.32	60.4	9.28
	12	30.7	4.32	36.7	4.73	42.5	5.26	45.5	6.56	49.3	7.54	56.0	8.47	60.4	9.43
	14	30.7	4.41	36.7	4.83	42.5	5.36	45.5	6.59	49.3	7.66	56.0	8.62	60.4	9.62
	16	30.7	4.49	36.7	4.95	42.5	5.48	45.5	6.60	49.3	7.77	56.0	8.76	60.4	9.76
	18	30.7	4.58	36.7	5.05	42.5	5.58	45.5	6.64	49.3	7.91	56.0	8.91	60.4	9.95
	20	30.7	4.68	36.7	5.22	42.5	5.70	45.5	6.95	49.3	8.06	56.0	9.06	60.4	10.13
	21	30.7	4.72	36.7	5.43	42.5	5.80	45.5	7.30	49.3	8.14	56.0	9.17	60.4	10.24
	23	30.7	5.06	36.7	5.86	42.5	6.23	45.5	7.79	49.3	8.28	56.0	9.32	60.4	10.47
	25	30.7	5.41	36.7	6.32	42.5	6.69	45.5	8.29	49.3	8.54	56.0	9.80	60.4	11.17
	27	30.7	5.79	36.7	6.80	42.5	7.16	45.5	8.94	49.3	9.06	56.0	10.43	60.4	11.91
	29	30.7	6.19	36.7	7.30	42.5	7.66	45.5	9.21	49.3	9.65	56.0	11.10	60.4	12.69
	31	30.7	6.62	36.7	7.83	42.5	8.18	45.5	9.82	49.3	10.24	56.0	11.80	60.4	13.50
	33	30.7	7.06	36.7	8.39	42.5	8.75	45.5	10.35	49.3	10.87	56.0	12.54	60.4	14.35
	35	30.7	7.52	36.7	8.99	42.5	9.34	45.5	10.65	49.3	11.50	56.0	13.31	60.4	15.24
	37	30.7	8.03	36.7	9.62	42.5	9.96	45.5	11.14	49.3	12.20	56.0	14.13	60.4	16.20
	39	30.7	8.54	36.7	10.28	42.5	10.62	45.5	11.57	49.3	12.94	56.0	14.98	60.4	17.20
	41	30.7	8.86	36.7	10.68	42.5	11.02	45.5	11.98	49.3	13.50	56.0	15.78	60.4	18.00
43	30.7	9.18	36.7	10.89	42.5	11.42	45.5	12.77	49.3	13.85	56.0	16.58	60.4	18.80	
45	30.7	9.61	36.7	12.26	42.5	13.07	45.5	14.09	49.3	15.48	56.0	18.17	60.4	19.59	
48	30.7	11.29	36.7	12.89	42.5	14.49	45.5	16.08	49.3	17.68	56.0	19.28	60.4	20.88	
50	30.7	12.97	36.7	14.57	42.5	16.17	45.5	17.77	49.3	19.36	56.0	20.96	60.4	22.56	
52	30.7	14.66	36.7	16.25	42.5	17.85	45.5	19.45	49.3	21.05	56.0	22.65	60.4	24.24	
54	30.7	16.34	36.7	17.94	42.5	19.54	45.5	21.13	49.3	22.73	56.0	24.33	60.4	25.93	

Abbreviations:

CR: Combination ratio

TC: Total capacity (kW)

PI: Power input (compressor + outdoor fan motor) (kW)

Notes:

1. Shaded cells indicate rating condition.

**8.2 Heating Capacity Tables**

Table 2-8.14: 8HP heating capacity

CR	Outdoor air temp.		Indoor air temp. °C DB											
			16.0		18.0		20.0		21.0		22.0		24.0	
	°C DB	°C WB	TC kW	PI kW	TC kW	PI kW	TC kW	PI kW	TC kW	PI kW	TC kW	PI kW	TC kW	PI kW
130%	-25	-25.4	20.31	5.28	20.23	5.33	20.15	5.39	20.09	5.42	20.07	5.45	19.96	5.52
	-19.8	-20	20.66	5.29	20.58	5.34	20.50	5.40	20.42	5.43	20.42	5.46	20.34	5.54
	-18.8	-19	20.82	5.30	20.74	5.34	20.66	5.40	20.66	5.44	20.58	5.47	20.50	5.54
	-16.7	-17	21.14	5.30	21.06	5.36	20.98	5.41	20.98	5.44	20.90	5.48	20.82	5.55
	-13.7	-15	21.46	5.31	21.38	5.36	21.30	5.42	21.30	5.46	21.22	5.49	21.14	5.56
	-11.8	-13	21.78	5.32	21.70	5.38	21.62	5.43	21.62	5.46	21.54	5.50	21.54	5.57
	-9.8	-11	22.10	5.33	22.02	5.38	21.94	5.44	21.94	5.47	21.94	5.50	21.86	5.58
	-9.5	-10	22.26	5.34	22.18	5.38	22.18	5.44	22.10	5.48	22.10	5.51	22.02	5.58
	-8.5	-9.1	22.42	5.34	22.34	5.39	22.26	5.45	22.26	5.48	22.26	5.52	22.18	5.59
	-7	-7.6	22.66	5.34	22.58	5.40	22.58	5.46	22.50	5.49	22.50	5.52	22.42	5.60
	-5	-5.6	24.41	5.73	24.33	5.79	24.25	5.85	24.25	5.89	24.17	5.93	24.09	6.00
	-3	-3.7	24.73	6.03	24.65	6.10	24.57	6.17	24.57	6.20	24.49	6.24	24.41	6.32
	0	-0.7	25.21	6.52	25.13	6.59	25.05	6.66	25.05	6.70	24.97	6.74	24.97	6.82
	3	2.2	27.52	6.39	27.52	6.46	27.44	6.54	27.36	6.57	27.36	6.61	27.28	6.54
	5	4.1	34.62	7.91	34.54	7.86	32.71	7.19	31.43	6.86	30.16	6.54	27.68	5.91
7	6	37.74	7.23	35.18	6.68	32.71	6.14	31.43	5.88	30.16	5.62	27.68	5.11	
9	7.9	37.74	6.60	35.18	6.13	32.71	5.66	31.43	5.44	30.16	5.22	27.68	4.78	
11	9.8	37.74	6.05	35.18	5.64	32.71	5.25	31.43	5.06	30.16	4.87	27.68	4.48	
13	11.8	37.74	5.57	35.18	5.22	32.71	4.89	31.43	4.72	30.16	4.55	27.68	4.22	
15	13.7	37.74	5.21	35.18	4.91	32.71	4.61	31.43	4.46	30.16	4.32	27.68	4.03	
120%	-25	-25.4	20.37	5.52	20.29	5.57	20.21	5.63	20.21	5.66	20.13	5.70	20.07	5.78
	-19.8	-20	20.64	5.52	20.56	5.58	20.48	5.64	20.48	5.67	20.40	5.71	20.32	5.78
	-18.8	-19	20.80	5.53	20.72	5.58	20.64	5.65	20.64	5.67	20.56	5.72	20.48	5.78
	-16.7	-17	21.12	5.54	21.04	5.59	20.96	5.65	20.96	5.69	20.88	5.72	20.88	5.80
	-13.7	-15	21.44	5.54	21.36	5.60	21.28	5.67	21.28	5.69	21.28	5.74	21.20	5.81
	-11.8	-13	21.76	5.56	21.68	5.61	22.24	5.67	21.60	5.71	21.60	5.74	21.52	5.82
	-9.8	-11	22.08	5.56	22.00	5.62	22.00	5.68	21.92	5.72	21.92	5.75	21.84	5.83
	-9.5	-10	22.24	5.57	22.16	5.63	22.16	5.69	22.08	5.72	22.08	5.76	22.00	5.83
	-8.5	-9.1	22.40	5.57	22.32	5.63	22.32	5.69	22.24	5.73	22.24	5.76	22.16	5.83
	-7	-7.6	22.64	5.58	22.56	5.64	22.56	5.70	22.48	5.74	22.48	5.77	22.40	5.84
	-5	-5.6	24.40	5.99	24.32	6.05	24.24	6.12	24.24	6.15	24.24	6.19	24.16	6.26
	-3	-3.7	24.72	6.30	24.64	6.37	24.56	6.44	24.56	6.48	24.48	6.52	24.48	6.59
	0	-0.7	25.20	6.81	25.12	6.88	25.04	6.95	25.04	7.00	25.04	7.04	24.96	7.08
	3	2.2	27.52	6.68	27.52	6.75	27.44	6.82	27.36	6.86	27.36	6.81	25.60	6.13
	5	4.1	34.64	8.01	32.56	7.37	30.24	6.75	29.04	6.45	27.92	6.15	25.60	5.57
7	6	34.88	6.81	32.56	6.30	30.24	5.80	29.04	5.56	27.92	5.32	25.60	4.85	
9	7.9	34.88	6.25	32.56	5.81	30.24	5.39	29.04	5.18	27.92	4.97	25.60	4.56	
11	9.8	34.88	5.76	32.56	5.39	30.24	5.02	29.04	4.84	27.92	4.66	25.60	4.30	
13	11.8	34.88	5.34	32.56	5.02	30.24	4.70	29.04	4.54	27.92	4.39	25.60	4.08	
15	13.7	34.88	5.02	32.56	4.74	30.24	4.46	29.04	4.32	27.92	4.19	25.60	3.92	
110%	-25	-25.4	20.26	5.66	20.17	5.72	20.07	5.78	20.10	5.82	20.03	5.85	20.02	5.93
	-19.8	-20	20.56	5.67	20.48	5.73	20.40	5.79	20.40	5.82	20.32	5.86	20.32	5.93
	-18.8	-19	20.72	5.67	20.64	5.73	20.56	5.79	20.56	5.83	20.48	5.86	20.48	5.94
	-16.7	-17	21.04	5.68	20.96	5.74	20.88	5.81	20.88	5.84	20.88	5.88	20.80	5.95
	-13.7	-15	21.36	5.70	21.28	5.75	21.20	5.82	21.20	5.85	21.20	5.89	21.12	5.96
	-11.8	-13	21.68	5.70	21.60	5.77	21.60	5.83	21.52	5.86	21.52	5.90	21.44	5.97
	-9.8	-11	22.00	5.72	21.92	5.77	21.92	5.84	21.84	5.87	21.84	5.91	21.76	5.98
	-9.5	-10	22.16	5.72	22.16	5.78	22.08	5.84	22.00	5.88	22.00	5.91	21.92	5.98
	-8.5	-9.1	22.32	5.72	22.24	5.78	22.24	5.85	22.16	5.88	22.16	5.91	22.08	5.99
	-7	-7.6	22.56	5.73	22.48	5.79	22.48	5.86	22.40	5.89	22.40	5.92	22.32	6.00
	-5	-5.6	24.32	6.15	24.24	6.21	24.16	6.28	24.16	6.31	24.16	6.35	23.44	5.95
	-3	-3.7	24.64	6.47	24.56	6.54	24.48	6.61	24.48	6.65	24.48	6.68	23.44	6.15
	0	-0.7	25.12	6.99	25.04	7.06	25.04	7.14	24.96	7.18	24.96	7.18	23.44	6.46
	3	2.2	27.44	6.86	27.44	6.93	27.36	6.84	26.64	6.52	25.60	6.21	23.44	5.60
	5	4.1	32.00	7.32	29.84	6.74	27.76	6.19	26.64	6.61	25.60	6.65	23.44	5.13
7	6	32.00	6.26	29.84	5.80	27.76	5.35	26.64	5.13	25.60	4.92	23.44	4.50	
9	7.9	32.00	5.79	29.84	5.39	27.76	5.00	26.64	4.81	25.60	4.62	23.44	4.26	
11	9.8	32.00	5.37	29.84	5.03	27.76	4.69	26.64	4.53	25.60	4.36	23.44	4.04	
13	11.8	32.00	5.00	29.84	4.71	27.76	4.42	26.64	4.28	25.60	4.13	23.44	3.85	
15	13.7	32.00	4.73	29.84	4.48	27.76	4.22	26.64	4.09	25.60	3.97	23.44	3.72	

Abbreviations:

CR: Combination ratio

TC: Total capacity (kW)

PI: Power input (compressor + outdoor fan motor) (kW)

Notes:

1. Shaded cells indicate rating condition.

Table continued on next page ...



Table 2-8.14: 8HP heating capacity (continued)

CR	Outdoor air temp.		Indoor air temp. °C DB											
			16.0		18.0		20.0		21.0		22.0		24.0	
	°C DB	°C WB	TC	PI	TC	PI	TC	PI	TC	PI	TC	PI	TC	PI
100%	-25	-25.4	20.48	5.75	20.40	5.81	20.32	5.87	20.32	5.91	20.32	5.94	20.24	6.02
	-19.8	-20	20.64	5.75	20.56	5.82	20.48	5.88	20.48	5.91	20.48	5.95	20.40	6.02
	-18.8	-19	20.96	5.77	20.88	5.83	20.80	5.89	20.80	5.92	20.80	5.96	20.72	6.03
	-16.7	-17	21.28	5.77	21.20	5.84	21.20	5.90	21.12	5.93	21.12	5.97	21.04	5.90
	-13.7	-15	21.60	5.79	21.52	5.84	21.52	5.91	21.44	5.94	21.44	5.98	21.36	5.78
	-11.8	-13	21.92	5.79	21.84	5.86	21.84	5.92	21.76	5.96	21.76	5.98	21.36	5.67
	-9.8	-11	22.08	5.80	22.08	5.86	22.00	5.93	22.00	5.96	21.92	5.99	21.36	5.61
	-9.5	-10	22.24	5.81	22.16	5.86	22.16	5.93	22.08	5.96	22.08	6.00	21.36	5.56
	-8.5	-9.1	22.48	5.82	22.48	5.87	22.40	5.93	22.32	5.97	22.32	6.00	21.36	5.49
	-7	-7.6	24.24	5.82	24.16	5.87	24.16	5.94	24.08	6.19	23.28	5.89	21.36	5.31
	-5	-5.6	24.56	5.83	24.48	5.88	24.48	5.94	24.24	6.40	23.28	6.09	21.36	5.49
	-3	-3.7	25.04	5.84	24.96	5.88	24.96	5.74	24.24	6.02	23.28	6.40	21.36	5.77
	0	-0.7	25.68	5.84	27.12	5.88	25.20	5.58	24.24	6.33	23.28	6.03	21.36	5.42
	3	2.2	27.36	6.21	27.12	5.74	25.20	5.43	24.24	5.82	23.28	5.56	21.36	5.02
	5	4.1	29.04	5.89	27.12	5.46	25.20	5.17	24.24	5.32	23.28	5.08	21.36	4.62
7	6	29.04	5.56	27.12	5.18	25.20	4.84	24.24	4.65	23.28	4.45	21.36	4.08	
9	7.9	29.04	5.25	27.12	4.90	25.20	4.56	24.24	4.39	23.28	4.22	21.36	3.89	
11	9.8	29.04	4.91	27.12	4.60	25.20	4.31	24.24	4.16	23.28	4.01	21.36	3.72	
13	11.8	29.04	4.60	27.12	4.34	25.20	4.08	24.24	3.96	23.28	3.83	21.36	3.58	
15	13.7	29.04	4.38	27.12	4.15	25.20	3.92	24.24	3.81	23.28	3.70	21.36	3.47	
90%	-25	-25.4	20.03	5.83	19.92	5.89	19.86	5.95	19.84	6.07	20.15	6.18	19.20	5.59
	-19.8	-20	20.40	5.84	20.32	5.90	20.24	5.96	20.24	6.00	20.24	6.03	19.20	5.47
	-18.8	-19	20.56	5.85	20.48	5.91	20.40	5.97	20.40	6.00	20.40	6.01	19.20	5.42
	-16.7	-17	20.88	5.86	20.80	5.91	20.80	5.98	20.72	6.01	20.72	5.89	19.20	5.30
	-13.7	-15	21.20	5.86	21.12	5.93	21.12	5.99	21.04	6.02	20.96	5.77	19.20	5.20
	-11.8	-13	21.52	5.88	21.44	5.93	21.44	6.00	21.36	5.94	20.96	5.65	19.20	5.10
	-9.8	-11	21.84	5.89	21.84	5.95	21.76	6.00	21.76	5.82	20.96	5.55	19.20	5.00
	-9.5	-10	22.00	5.89	22.00	5.95	21.92	6.01	21.84	5.77	20.96	5.49	19.20	4.95
	-8.5	-9.1	22.16	5.90	22.08	5.96	22.08	6.00	21.84	5.72	20.96	5.44	19.20	4.91
	-7	-7.6	22.40	5.91	22.40	5.96	22.32	5.91	21.84	5.64	20.96	5.37	19.20	4.84
	-5	-5.6	24.16	5.92	24.08	5.97	22.72	5.71	21.84	5.45	20.96	5.20	19.20	4.70
	-3	-3.7	24.48	5.92	24.40	5.97	22.72	5.91	21.84	5.64	20.96	5.38	19.20	4.86
	0	-0.7	24.96	5.93	24.40	5.98	22.72	6.21	21.84	5.93	20.96	5.65	19.20	5.11
	3	2.2	26.16	5.94	24.40	5.88	22.72	5.39	21.84	5.16	20.96	4.92	19.20	4.46
	5	4.1	26.16	5.79	24.40	5.37	22.72	4.95	21.84	4.73	20.96	4.53	19.20	4.14
7	6	26.16	5.04	24.40	4.69	22.72	4.34	21.84	4.17	20.96	4.01	19.20	3.68	
9	7.9	26.16	4.73	24.40	4.43	22.72	4.12	21.84	3.98	20.96	3.83	19.20	3.54	
11	9.8	26.16	4.45	24.40	4.19	22.72	3.93	21.84	3.79	20.96	3.67	19.20	3.42	
13	11.8	26.16	4.21	24.40	3.98	22.72	3.75	21.84	3.64	20.96	3.53	19.20	3.30	
15	13.7	26.16	4.03	24.40	3.83	22.72	3.63	21.84	3.53	20.96	3.43	19.20	3.23	
80%	-25	-25.4	19.95	5.86	19.87	6.02	20.16	5.85	19.36	5.58	18.64	5.32	17.04	4.80
	-19.8	-20	20.32	5.87	20.24	5.93	20.16	5.73	19.36	5.47	18.64	5.21	17.04	4.70
	-18.8	-19	20.48	5.87	20.40	5.93	20.16	5.67	19.36	5.41	18.64	5.15	17.04	4.65
	-16.7	-17	20.80	5.88	20.72	5.94	20.16	5.56	19.36	5.30	18.64	5.05	17.04	4.56
	-13.7	-15	21.12	5.89	21.04	5.95	20.16	5.44	19.36	5.19	18.64	4.95	17.04	4.47
	-11.8	-13	21.44	5.90	21.36	5.84	20.16	5.33	19.36	5.09	18.64	4.86	17.04	4.39
	-9.8	-11	21.76	5.91	21.68	5.72	20.16	5.24	19.36	4.99	18.64	4.77	17.04	4.31
	-9.5	-10	21.92	5.92	21.68	5.67	20.16	5.18	19.36	4.95	18.64	4.72	17.04	4.27
	-8.5	-9.1	22.08	5.92	21.68	5.62	20.16	5.14	19.36	4.90	18.64	4.68	17.04	4.23
	-7	-7.6	22.32	5.93	21.68	5.53	20.16	5.07	19.36	4.84	18.64	4.61	17.04	4.18
	-5	-5.6	23.28	5.81	21.68	5.35	20.16	4.91	19.36	4.69	18.64	4.48	17.04	4.06
	-3	-3.7	23.28	6.01	21.68	5.54	20.16	5.08	19.36	4.86	18.64	4.63	17.04	4.20
	0	-0.7	23.28	6.32	21.68	5.83	20.16	5.34	19.36	5.10	18.64	4.88	17.04	4.43
	3	2.2	23.28	5.49	21.68	5.06	20.16	4.65	19.36	4.45	18.64	4.26	17.04	3.87
	5	4.1	23.28	5.01	21.68	4.65	20.16	4.30	19.36	4.13	18.64	3.96	17.04	3.62
7	6	23.28	4.40	21.68	4.11	20.16	3.82	19.36	3.67	18.64	3.53	17.04	3.26	
9	7.9	23.28	4.17	21.68	3.91	20.16	3.66	19.36	3.53	18.64	3.40	17.04	3.16	
11	9.8	23.28	3.96	21.68	3.73	20.16	3.51	19.36	3.40	18.64	3.29	17.04	3.08	
13	11.8	23.28	3.78	21.68	3.58	20.16	3.39	19.36	3.29	18.64	3.19	17.04	3.00	
15	13.7	23.28	3.65	21.68	3.47	20.16	3.30	19.36	3.21	18.64	3.12	17.04	2.95	

Abbreviations:

CR: Combination ratio

TC: Total capacity (kW)

PI: Power input (compressor + outdoor fan motor) (kW)

Notes:

1. Shaded cells indicate rating condition.

Table continued on next page ...

Table 2-8.14: 8HP heating capacity (continued)

CR	Outdoor air temp.		Indoor air temp. °C DB											
			16.0		18.0		20.0		21.0		22.0		24.0	
	°C DB	°C WB	TC	PI	TC	PI	TC	PI	TC	PI	TC	PI	TC	PI
70%	-25	-25.4	20.19	6.00	18.96	5.51	17.68	5.05	16.96	4.82	16.32	4.60	14.96	4.17
	-19.8	-20	20.16	5.87	18.96	5.40	17.68	4.95	16.96	4.73	16.32	4.51	14.96	4.08
	-18.8	-19	20.32	5.81	18.96	5.35	17.68	4.90	16.96	4.68	16.32	4.47	14.96	4.05
	-16.7	-17	20.32	5.69	18.96	5.24	17.68	4.80	16.96	4.59	16.32	4.38	14.96	3.97
	-13.7	-15	20.32	5.58	18.96	5.13	17.68	4.71	16.96	4.50	16.32	4.29	14.96	3.89
	-11.8	-13	20.32	5.46	18.96	5.04	17.68	4.62	16.96	4.41	16.32	4.22	14.96	3.82
	-9.8	-11	20.32	5.36	18.96	4.94	17.68	4.53	16.96	4.33	16.32	4.14	14.96	3.75
	-9.5	-10	20.32	5.31	18.96	4.90	17.68	4.49	16.96	4.29	16.32	4.10	14.96	3.72
	-8.5	-9.1	20.32	5.26	18.96	4.85	17.68	4.45	16.96	4.26	16.32	4.07	14.96	3.69
	-7	-7.6	20.32	5.19	18.96	4.78	17.68	4.39	16.96	4.20	16.32	4.01	14.96	3.64
	-5	-5.6	20.32	5.03	18.96	4.64	17.68	4.27	16.96	4.09	16.32	3.91	14.96	3.56
	-3	-3.7	20.32	5.20	18.96	4.80	17.68	4.42	16.96	4.23	16.32	4.05	14.96	3.68
	0	-0.7	20.32	5.47	18.96	5.06	17.68	4.65	16.96	4.45	16.32	4.26	14.96	3.88
	3	2.2	20.32	4.76	18.96	4.41	17.68	4.07	16.96	3.90	16.32	3.73	14.96	3.41
	5	4.1	20.32	4.40	18.96	4.10	17.68	3.79	16.96	3.65	16.32	3.50	14.96	3.21
7	6	20.32	3.90	18.96	3.65	17.68	3.40	16.96	3.28	16.32	3.16	14.96	2.92	
9	7.9	20.32	3.73	18.96	3.51	17.68	3.29	16.96	3.89	16.32	3.07	14.96	2.86	
11	9.8	20.32	3.58	18.96	3.39	17.68	3.19	16.96	3.10	16.32	3.00	14.96	2.81	
13	11.8	20.32	3.45	18.96	3.28	17.68	3.11	16.96	3.02	16.32	2.94	14.96	2.77	
15	13.7	20.32	3.36	18.96	3.21	17.68	3.06	16.96	2.98	16.32	2.90	14.96	2.76	
60%	-25	-25.4	17.44	4.99	16.32	4.60	15.12	4.23	14.56	4.04	13.92	3.86	12.80	3.51
	-19.8	-20	17.44	4.89	16.32	4.51	15.12	4.15	14.56	3.96	13.92	3.79	12.80	3.44
	-18.8	-19	17.44	4.84	16.32	4.47	15.12	4.10	14.56	3.93	13.92	3.75	12.80	3.42
	-16.7	-17	17.44	4.74	16.32	4.38	15.12	4.03	14.56	3.85	13.92	3.68	12.80	3.35
	-13.7	-15	17.44	4.65	16.32	4.29	15.12	3.95	14.56	3.78	13.92	3.62	12.80	3.29
	-11.8	-13	17.44	4.56	16.32	4.22	15.12	3.88	14.56	3.71	13.92	3.55	12.80	3.23
	-9.8	-11	17.44	4.48	16.32	4.14	15.12	3.81	14.56	3.65	13.92	3.49	12.80	3.18
	-9.5	-10	17.44	4.43	16.32	4.10	15.12	3.77	14.56	3.61	13.92	3.46	12.80	3.15
	-8.5	-9.1	17.44	4.40	16.32	4.07	15.12	3.75	14.56	3.58	13.92	3.43	12.80	3.13
	-7	-7.6	17.44	4.33	16.32	4.01	15.12	3.70	14.56	3.54	13.92	3.39	12.80	3.09
	-5	-5.6	17.44	4.22	16.32	3.91	15.12	3.61	14.56	3.46	13.92	3.31	12.80	3.02
	-3	-3.7	17.44	4.37	16.32	4.05	15.12	3.73	14.56	3.58	13.92	3.43	12.80	3.14
	0	-0.7	17.44	4.59	16.32	4.26	15.12	3.94	14.56	3.77	13.92	3.61	12.80	3.30
	3	2.2	17.44	4.02	16.32	3.73	15.12	3.45	14.56	3.32	13.92	3.18	12.80	2.91
	5	4.1	17.44	3.75	16.32	3.50	15.12	3.25	14.56	3.14	13.92	3.02	12.80	2.78
7	6	17.44	3.37	16.32	3.16	15.12	2.95	14.56	2.85	13.92	2.75	12.80	2.55	
9	7.9	17.44	3.26	16.32	3.07	15.12	2.89	14.56	2.80	13.92	2.71	12.80	2.53	
11	9.8	17.44	3.16	16.32	3.00	15.12	2.84	14.56	2.76	13.92	2.68	12.80	2.52	
13	11.8	17.44	3.09	16.32	2.94	15.12	2.80	14.56	2.72	13.92	2.65	12.80	2.51	
15	13.7	17.44	3.04	16.32	2.90	15.12	2.78	14.56	2.71	13.92	2.65	12.80	2.52	
50%	-25	-25.4	14.56	4.04	13.60	3.74	12.64	3.45	12.08	3.61	11.60	3.17	10.64	2.89
	-19.8	-20	14.56	3.96	13.60	3.68	12.64	3.39	12.08	3.25	11.60	3.11	10.64	2.85
	-18.8	-19	14.56	3.93	13.60	3.64	12.64	3.36	12.08	3.92	11.60	3.09	10.64	2.82
	-16.7	-17	14.56	3.85	13.60	3.57	12.64	3.30	12.08	3.16	11.60	3.03	10.64	2.77
	-13.7	-15	14.56	3.78	13.60	3.51	12.64	3.24	12.08	3.11	11.60	2.98	10.64	2.72
	-11.8	-13	14.56	3.71	13.60	3.44	12.64	3.18	12.08	3.05	11.60	2.93	10.64	2.68
	-9.8	-11	14.56	3.65	13.60	3.39	12.64	3.13	12.08	3.00	11.60	2.88	10.64	2.63
	-9.5	-10	14.56	3.61	13.60	3.35	12.64	3.10	12.08	2.97	11.60	2.85	10.64	2.61
	-8.5	-9.1	14.56	3.58	13.60	3.33	12.64	3.08	12.08	2.95	11.60	2.83	10.64	2.60
	-7	-7.6	14.56	3.54	13.60	3.29	12.64	3.04	12.08	2.92	11.60	2.80	10.64	2.56
	-5	-5.6	14.56	3.46	13.60	3.21	12.64	2.97	12.08	2.86	11.60	2.74	10.64	2.52
	-3	-3.7	14.56	3.58	13.60	3.33	12.64	3.09	12.08	2.97	11.60	2.85	10.64	2.61
	0	-0.7	14.56	3.77	13.60	3.51	12.64	3.25	12.08	3.13	11.60	3.00	10.64	2.76
	3	2.2	14.56	3.32	13.60	3.09	12.64	2.87	12.08	2.76	11.60	2.65	10.64	2.44
	5	4.1	14.56	3.14	13.60	2.93	12.64	2.74	12.08	2.64	11.60	2.55	10.64	2.36
7	6	14.56	2.85	13.60	2.69	12.64	2.52	12.08	2.44	11.60	2.36	10.64	2.20	
9	7.9	14.56	2.80	13.60	2.65	12.64	2.50	12.08	2.43	11.60	2.36	10.64	2.22	
11	9.8	14.56	2.76	13.60	2.62	12.64	2.49	12.08	2.43	11.60	2.36	10.64	2.23	
13	11.8	14.56	2.72	13.60	2.60	12.64	2.49	12.08	2.43	11.60	2.36	10.64	2.26	
15	13.7	14.56	2.71	13.60	2.60	12.64	2.50	12.08	2.45	11.60	2.40	10.64	2.29	

**Abbreviations:**

- CR: Combination ratio
- TC: Total capacity (kW)
- PI: Power input (compressor + outdoor fan motor) (kW)

**Notes:**

1. Shaded cells indicate rating condition.

Table 2-8.15: 10HP heating capacity

CR	Outdoor air temp.		Indoor air temp. °C DB											
			16.0		18.0		20.0		21.0		22.0		24.0	
	°C DB	°C WB	TC	PI	TC	PI	TC	PI	TC	PI	TC	PI	TC	PI
130%	-25	-25.4	22.57	5.99	22.48	6.05	22.39	6.11	22.32	6.15	22.30	6.19	22.18	6.27
	-19.8	-20	22.96	6.00	22.87	6.06	22.78	6.12	22.69	6.16	22.69	6.20	22.60	6.28
	-18.8	-19	23.14	6.01	23.05	6.06	22.96	6.13	22.96	6.17	22.87	6.20	22.78	6.28
	-16.7	-17	23.49	6.01	23.40	6.07	23.31	6.14	23.31	6.17	23.22	6.21	23.14	6.30
	-13.7	-15	23.85	6.02	23.76	6.08	23.67	6.15	23.67	6.19	23.58	6.23	23.49	6.30
	-11.8	-13	24.20	6.04	24.11	6.10	24.02	6.16	24.02	6.20	23.93	6.23	23.93	6.32
	-9.8	-11	24.55	6.04	24.47	6.11	24.38	6.17	24.38	6.20	24.38	6.24	24.29	6.33
	-9.5	-10	24.73	6.05	24.64	6.11	24.64	6.17	24.55	6.21	24.55	6.25	24.47	6.33
	-8.5	-9.1	24.91	6.05	24.82	6.11	24.73	6.18	24.73	6.22	24.73	6.26	24.64	6.34
	-7	-7.6	25.17	6.06	25.09	6.12	25.09	6.19	25.00	6.23	25.00	6.26	24.91	6.35
	-5	-5.6	27.13	6.50	27.04	6.57	26.95	6.64	26.95	6.68	26.86	6.72	26.77	6.80
	-3	-3.7	27.48	6.84	27.39	6.92	27.30	6.99	27.30	7.03	27.21	7.08	27.13	7.17
	0	-0.7	28.01	7.39	27.92	7.47	27.83	7.56	27.83	7.60	27.75	7.64	27.75	7.74
	3	2.2	30.58	7.25	30.58	7.33	30.49	7.41	30.40	7.45	30.40	7.50	30.32	7.41
	5	4.1	38.47	8.97	38.38	8.92	36.34	8.16	34.93	7.79	33.51	7.42	30.76	6.71
7	6	41.93	8.20	39.09	7.57	36.34	6.96	34.93	6.67	33.51	6.37	30.76	5.80	
9	7.9	41.93	7.48	39.09	6.95	36.34	6.42	34.93	6.17	33.51	5.92	30.76	5.42	
11	9.8	41.93	6.86	39.09	6.39	36.34	5.95	34.93	5.74	33.51	5.52	30.76	5.09	
13	11.8	41.93	6.32	39.09	5.92	36.34	5.54	34.93	5.35	33.51	5.16	30.76	4.79	
15	13.7	41.93	5.91	39.09	5.57	36.34	5.23	34.93	5.06	33.51	4.90	30.76	4.57	
120%	-25	-25.4	22.64	6.26	22.55	6.32	47.21	6.39	22.46	6.42	22.36	6.47	22.30	6.55
	-19.8	-20	22.93	6.26	22.84	6.33	22.76	6.40	22.76	6.44	22.67	6.48	22.58	6.56
	-18.8	-19	23.11	6.27	23.02	6.33	22.93	6.40	22.93	6.44	22.84	6.48	22.76	6.56
	-16.7	-17	23.47	6.28	23.38	6.34	23.29	6.41	23.29	6.45	23.20	6.49	23.20	6.58
	-13.7	-15	23.82	6.29	23.73	6.36	23.64	6.43	23.64	6.46	23.64	6.51	23.56	6.59
	-11.8	-13	24.18	6.30	24.09	6.37	24.71	6.44	24.00	6.48	24.00	6.51	23.91	6.60
	-9.8	-11	24.53	6.31	24.44	6.37	24.44	6.44	24.36	6.48	24.36	6.52	24.27	6.61
	-9.5	-10	24.71	6.32	24.62	6.38	24.62	6.45	24.53	6.49	24.53	6.53	24.44	6.62
	-8.5	-9.1	24.89	6.32	24.80	6.39	24.80	6.46	24.71	6.50	24.71	6.54	24.62	6.62
	-7	-7.6	25.16	6.33	25.07	6.40	25.07	6.47	24.98	6.51	24.98	6.55	24.89	6.62
	-5	-5.6	27.11	6.79	27.02	6.86	26.93	6.94	26.93	6.98	26.93	7.02	26.84	7.10
	-3	-3.7	27.47	7.15	27.38	7.23	27.29	7.31	27.29	7.35	27.20	7.39	27.20	7.48
	0	-0.7	28.00	7.72	27.91	7.80	27.82	7.89	27.82	7.94	27.82	7.98	27.73	8.03
	3	2.2	30.58	7.58	30.58	7.65	30.49	7.74	30.40	7.78	30.40	7.72	28.44	6.95
	5	4.1	38.49	9.09	36.18	8.36	33.60	7.66	32.27	7.32	31.02	6.98	28.44	6.32
7	6	38.76	7.72	36.18	7.14	33.60	6.58	32.27	6.30	31.02	6.04	28.44	5.50	
9	7.9	38.76	7.09	36.18	6.59	33.60	6.11	32.27	5.87	31.02	5.64	28.44	5.17	
11	9.8	38.76	6.54	36.18	6.11	33.60	5.70	32.27	5.49	31.02	5.29	28.44	4.88	
13	11.8	38.76	6.05	36.18	5.69	33.60	5.33	32.27	5.15	31.02	4.98	28.44	4.62	
15	13.7	38.76	5.69	36.18	5.38	33.60	5.05	32.27	4.90	31.02	4.75	28.44	4.44	
110%	-25	-25.4	22.51	6.42	22.41	6.49	22.30	6.56	22.34	6.60	22.26	6.64	22.25	6.72
	-19.8	-20	22.84	6.43	22.76	6.50	22.67	6.57	22.67	6.60	22.58	6.65	22.58	6.73
	-18.8	-19	23.02	6.44	22.93	6.50	22.84	6.57	22.84	6.61	22.76	6.65	22.76	6.74
	-16.7	-17	23.38	6.44	23.29	6.52	23.20	6.59	23.20	6.63	23.20	6.67	23.11	6.75
	-13.7	-15	23.73	6.46	23.64	6.52	23.56	6.60	23.56	6.64	23.56	6.68	23.47	6.76
	-11.8	-13	24.09	6.47	24.00	6.54	24.00	6.61	23.91	6.65	23.91	6.69	23.82	6.77
	-9.8	-11	24.44	6.48	24.36	6.55	24.36	6.62	24.27	6.66	24.27	6.70	24.18	6.79
	-9.5	-10	24.62	6.48	24.62	6.56	24.53	6.63	24.44	6.67	24.44	6.71	24.36	6.79
	-8.5	-9.1	24.80	6.49	24.71	6.56	24.71	6.64	24.62	6.67	24.62	6.71	24.53	6.79
	-7	-7.6	25.07	6.50	24.98	6.56	24.98	6.64	24.89	6.68	24.89	6.72	24.80	6.80
	-5	-5.6	27.02	6.98	26.93	7.05	26.84	7.12	26.84	7.16	26.84	7.20	26.04	6.75
	-3	-3.7	27.38	7.34	27.29	7.42	27.20	7.50	27.20	7.54	27.20	7.58	26.04	6.98
	0	-0.7	27.91	7.93	27.82	8.01	27.82	8.10	27.73	8.15	27.73	8.14	26.04	7.33
	3	2.2	30.49	7.78	30.49	7.86	30.40	7.76	29.60	7.40	28.44	7.05	26.04	6.36
	5	4.1	35.56	8.30	33.16	7.65	30.84	7.02	29.60	7.50	28.44	6.41	26.04	5.82
7	6	35.56	7.10	33.16	6.58	30.84	6.07	29.60	5.82	28.44	5.58	26.04	5.10	
9	7.9	35.56	6.56	33.16	6.11	30.84	5.67	29.60	5.46	28.44	5.24	26.04	4.83	
11	9.8	35.56	6.09	33.16	5.70	30.84	5.32	29.60	5.14	28.44	4.95	26.04	4.58	
13	11.8	35.56	5.67	33.16	5.34	30.84	5.01	29.60	4.85	28.44	4.69	26.04	4.37	
15	13.7	35.56	5.37	33.16	5.08	30.84	4.78	29.60	4.64	28.44	4.50	26.04	4.22	

Abbreviations:

- CR: Combination ratio
- TC: Total capacity (kW)
- PI: Power input (compressor + outdoor fan motor) (kW)

Notes:

- Shaded cells indicate rating condition.

Table continued on next page ...

Table 2-8.15: 10HP heating capacity (continued)

CR	Outdoor air temp.		Indoor air temp. °C DB											
			16.0		18.0		20.0		21.0		22.0		24.0	
	°C DB	°C WB	TC	PI	TC	PI	TC	PI	TC	PI	TC	PI	TC	PI
100%	-25	-25.4	22.76	6.52	22.67	6.59	22.58	6.66	22.58	6.70	22.58	6.74	22.49	6.83
	-19.8	-20	22.93	6.52	22.84	6.60	22.76	6.67	22.76	6.71	22.76	6.75	22.67	6.83
	-18.8	-19	23.29	6.54	23.20	6.61	23.11	6.68	23.11	6.72	23.11	6.76	23.02	6.83
	-16.7	-17	23.64	6.55	23.56	6.62	23.56	6.69	23.47	6.73	23.47	6.77	23.38	6.69
	-13.7	-15	24.00	6.56	23.91	6.63	23.91	6.71	23.82	6.74	23.82	6.78	23.73	6.56
	-11.8	-13	24.36	6.57	24.27	6.64	24.27	6.72	24.18	6.76	24.18	6.79	23.73	6.43
	-9.8	-11	24.53	6.58	24.53	6.65	24.44	6.72	24.44	6.76	24.36	6.79	23.73	6.37
	-9.5	-10	24.71	6.59	24.62	6.65	24.62	6.72	24.53	6.76	24.53	6.80	23.73	6.31
	-8.5	-9.1	24.98	6.60	24.98	6.66	24.89	6.73	24.80	6.77	24.80	6.81	23.73	6.22
	-7	-7.6	26.93	6.60	26.84	6.66	26.84	6.73	26.76	7.02	25.87	6.68	23.73	6.02
	-5	-5.6	27.29	6.61	27.20	6.67	27.20	6.74	26.93	7.26	25.87	6.91	23.73	6.23
	-3	-3.7	27.82	6.62	27.73	6.67	27.73	6.52	26.93	6.83	25.87	7.26	23.73	6.55
	0	-0.7	28.53	6.63	30.13	6.67	28.00	6.33	26.93	7.18	25.87	6.84	23.73	6.15
	3	2.2	30.40	7.04	30.13	6.51	28.00	6.15	26.93	6.60	25.87	6.30	23.73	5.70
	5	4.1	32.27	6.68	30.13	6.19	28.00	5.86	26.93	6.03	25.87	5.76	23.73	5.24
7	6	32.27	6.31	30.13	5.87	28.00	5.49	26.93	5.28	25.87	5.05	23.73	4.63	
9	7.9	32.27	5.95	30.13	5.56	28.00	5.17	26.93	4.98	25.87	4.79	23.73	4.42	
11	9.8	32.27	5.57	30.13	5.22	28.00	4.89	26.93	4.72	25.87	4.55	23.73	4.22	
13	11.8	32.27	5.22	30.13	4.93	28.00	4.63	26.93	4.49	25.87	4.34	23.73	4.06	
15	13.7	32.27	4.96	30.13	4.71	28.00	4.45	26.93	4.32	25.87	4.19	23.73	3.94	
90%	-25	-25.4	22.25	6.62	22.13	6.68	22.06	6.75	22.04	6.89	22.39	7.01	21.33	6.34
	-19.8	-20	22.67	6.63	22.58	6.69	22.49	6.76	22.49	6.80	22.49	6.84	21.33	6.21
	-18.8	-19	22.84	6.64	22.76	6.70	22.67	6.77	22.67	6.81	22.67	6.82	21.33	6.14
	-16.7	-17	23.20	6.64	23.11	6.71	23.11	6.78	23.02	6.82	23.02	6.68	21.33	6.02
	-13.7	-15	23.56	6.65	23.47	6.72	23.47	6.79	23.38	6.83	23.29	6.55	21.33	5.90
	-11.8	-13	23.91	6.67	23.82	6.73	23.82	6.80	23.73	6.74	23.29	6.41	21.33	5.78
	-9.8	-11	24.27	6.68	24.27	6.75	24.18	6.81	24.18	6.60	23.29	6.29	21.33	5.67
	-9.5	-10	24.44	6.68	24.44	6.75	24.36	6.82	24.27	6.54	23.29	6.23	21.33	5.62
	-8.5	-9.1	24.62	6.69	24.53	6.76	24.53	6.80	24.27	6.48	23.29	6.17	21.33	5.57
	-7	-7.6	24.89	6.70	24.89	6.76	24.80	6.71	24.27	6.40	23.29	6.09	21.33	5.49
	-5	-5.6	26.84	6.71	26.76	6.77	25.24	6.48	24.27	6.18	23.29	5.90	21.33	5.33
	-3	-3.7	27.20	6.72	27.11	6.78	25.24	6.70	24.27	6.40	23.29	6.10	21.33	5.51
	0	-0.7	27.73	6.73	27.11	6.78	25.24	7.04	24.27	6.72	23.29	6.41	21.33	5.80
	3	2.2	29.07	6.74	27.11	6.67	25.24	6.12	24.27	5.85	23.29	5.58	21.33	5.06
	5	4.1	29.07	6.57	27.11	6.09	25.24	5.61	24.27	5.37	23.29	5.14	21.33	4.69
7	6	29.07	5.71	27.11	5.31	25.24	4.93	24.27	4.73	23.29	4.55	21.33	4.18	
9	7.9	29.07	5.36	27.11	5.02	25.24	4.68	24.27	4.51	23.29	4.34	21.33	4.02	
11	9.8	29.07	5.05	27.11	4.75	25.24	4.46	24.27	4.30	23.29	4.16	21.33	3.87	
13	11.8	29.07	4.77	27.11	4.51	25.24	4.26	24.27	4.13	23.29	4.00	21.33	3.75	
15	13.7	29.07	4.58	27.11	4.34	25.24	4.11	24.27	4.00	23.29	3.89	21.33	3.66	
80%	-25	-25.4	22.16	6.64	22.07	6.82	22.40	6.64	21.51	6.33	20.71	6.03	18.93	5.44
	-19.8	-20	22.58	6.65	22.49	6.73	22.40	6.50	21.51	6.20	20.71	5.91	18.93	5.33
	-18.8	-19	22.76	6.66	22.67	6.73	22.40	6.43	21.51	6.14	20.71	5.85	18.93	5.28
	-16.7	-17	23.11	6.67	23.02	6.74	22.40	6.30	21.51	6.01	20.71	5.73	18.93	5.17
	-13.7	-15	23.47	6.69	23.38	6.75	22.40	6.18	21.51	5.89	20.71	5.62	18.93	5.08
	-11.8	-13	23.82	6.69	23.73	6.62	22.40	6.05	21.51	5.77	20.71	5.51	18.93	4.98
	-9.8	-11	24.18	6.70	24.09	6.49	22.40	5.94	21.51	5.66	20.71	5.41	18.93	4.89
	-9.5	-10	24.36	6.71	24.09	6.43	22.40	5.88	21.51	5.61	20.71	5.35	18.93	4.84
	-8.5	-9.1	24.53	6.72	24.09	6.37	22.40	5.83	21.51	5.56	20.71	5.30	18.93	4.80
	-7	-7.6	24.80	6.73	24.09	6.28	22.40	5.75	21.51	5.49	20.71	5.23	18.93	4.74
	-5	-5.6	25.87	6.59	24.09	6.07	22.40	5.57	21.51	5.32	20.71	5.08	18.93	4.60
	-3	-3.7	25.87	6.82	24.09	6.29	22.40	5.77	21.51	5.51	20.71	5.26	18.93	4.77
	0	-0.7	25.87	7.17	24.09	6.61	22.40	6.06	21.51	5.79	20.71	5.53	18.93	5.02
	3	2.2	25.87	6.22	24.09	5.74	22.40	5.28	21.51	5.05	20.71	4.83	18.93	4.39
	5	4.1	25.87	5.69	24.09	5.28	22.40	4.88	21.51	4.68	20.71	4.49	18.93	4.11
7	6	25.87	4.99	24.09	4.66	22.40	4.33	21.51	4.16	20.71	4.01	18.93	3.69	
9	7.9	25.87	4.73	24.09	4.44	22.40	4.15	21.51	4.01	20.71	3.86	18.93	3.58	
11	9.8	25.87	4.49	24.09	4.23	22.40	3.98	21.51	3.86	20.71	3.73	18.93	3.49	
13	11.8	25.87	4.29	24.09	4.06	22.40	3.84	21.51	3.73	20.71	3.62	18.93	3.40	
15	13.7	25.87	4.14	24.09	3.94	22.40	3.74	21.51	3.65	20.71	3.54	18.93	3.35	

**Abbreviations:**

- CR: Combination ratio
- TC: Total capacity (kW)
- PI: Power input (compressor + outdoor fan motor) (kW)

**Notes:**

1. Shaded cells indicate rating condition.

Table continued on next page ...

Table 2-8.15: 10HP heating capacity (continued)

CR	Outdoor air temp.		Indoor air temp. °C DB											
			16.0		18.0		20.0		21.0		22.0		24.0	
	°C DB	°C WB	TC	PI	TC	PI	TC	PI	TC	PI	TC	PI	TC	PI
70%	-25	-25.4	22.44	6.80	21.07	6.25	19.64	5.73	18.84	5.47	18.13	5.22	16.62	4.72
	-19.8	-20	22.40	6.66	21.07	6.13	19.64	5.62	18.84	5.36	18.13	5.12	16.62	4.63
	-18.8	-19	22.58	6.59	21.07	6.06	19.64	5.55	18.84	5.31	18.13	5.07	16.62	4.59
	-16.7	-17	22.58	6.45	21.07	5.94	19.64	5.45	18.84	5.20	18.13	4.96	16.62	4.50
	-13.7	-15	22.58	6.33	21.07	5.82	19.64	5.34	18.84	5.11	18.13	4.87	16.62	4.42
	-11.8	-13	22.58	6.20	21.07	5.71	19.64	5.24	18.84	5.00	18.13	4.78	16.62	4.34
	-9.8	-11	22.58	6.08	21.07	5.60	19.64	5.14	18.84	4.92	18.13	4.69	16.62	4.26
	-9.5	-10	22.58	6.02	21.07	5.55	19.64	5.09	18.84	4.87	18.13	4.65	16.62	4.22
	-8.5	-9.1	22.58	5.97	21.07	5.51	19.64	5.05	18.84	4.83	18.13	4.61	16.62	4.19
	-7	-7.6	22.58	5.89	21.07	5.43	19.64	4.98	18.84	4.77	18.13	4.55	16.62	4.13
	-5	-5.6	22.58	5.70	21.07	5.27	19.64	4.85	18.84	4.64	18.13	4.43	16.62	4.03
	-3	-3.7	22.58	5.90	21.07	5.45	19.64	5.01	18.84	4.80	18.13	4.59	16.62	4.18
	0	-0.7	22.58	6.21	21.07	5.74	19.64	5.28	18.84	5.05	18.13	4.83	16.62	4.40
	3	2.2	22.58	5.40	21.07	5.00	19.64	4.61	18.84	4.42	18.13	4.23	16.62	3.87
	5	4.1	22.58	4.99	21.07	4.65	19.64	4.30	18.84	4.14	18.13	3.97	16.62	3.64
7	6	22.58	4.42	21.07	4.14	19.64	3.86	18.84	3.72	18.13	3.58	16.62	3.31	
9	7.9	22.58	4.23	21.07	3.98	19.64	3.73	18.84	4.41	18.13	3.48	16.62	3.25	
11	9.8	22.58	4.07	21.07	3.84	19.64	3.62	18.84	3.52	18.13	3.41	16.62	3.19	
13	11.8	22.58	3.91	21.07	3.72	19.64	3.52	18.84	3.43	18.13	3.33	16.62	3.14	
15	13.7	22.58	3.81	21.07	3.64	19.64	3.47	18.84	3.38	18.13	3.29	16.62	3.13	
60%	-25	-25.4	19.38	5.66	18.13	5.22	16.80	4.80	16.18	4.59	15.47	4.38	14.22	3.99
	-19.8	-20	19.38	5.55	18.13	5.12	16.80	4.70	16.18	4.50	15.47	4.30	14.22	3.91
	-18.8	-19	19.38	5.49	18.13	5.07	16.80	4.65	16.18	4.46	15.47	4.26	14.22	3.87
	-16.7	-17	19.38	5.38	18.13	4.96	16.80	4.57	16.18	4.37	15.47	4.18	14.22	3.80
	-13.7	-15	19.38	5.28	18.13	4.87	16.80	4.48	16.18	4.29	15.47	4.11	14.22	3.73
	-11.8	-13	19.38	5.17	18.13	4.78	16.80	4.40	16.18	4.21	15.47	4.03	14.22	3.67
	-9.8	-11	19.38	5.08	18.13	4.69	16.80	4.32	16.18	4.14	15.47	3.95	14.22	3.60
	-9.5	-10	19.38	5.03	18.13	4.65	16.80	4.28	16.18	4.10	15.47	3.92	14.22	3.57
	-8.5	-9.1	19.38	5.00	18.13	4.61	16.80	4.25	16.18	4.07	15.47	3.89	14.22	3.55
	-7	-7.6	19.38	4.92	18.13	4.55	16.80	4.19	16.18	4.02	15.47	3.84	14.22	3.50
	-5	-5.6	19.38	4.78	18.13	4.43	16.80	4.09	16.18	3.92	15.47	3.76	14.22	3.43
	-3	-3.7	19.38	4.96	18.13	4.59	16.80	4.23	16.18	4.07	15.47	3.89	14.22	3.56
	0	-0.7	19.38	5.21	18.13	4.83	16.80	4.46	16.18	4.28	15.47	4.10	14.22	3.75
	3	2.2	19.38	4.56	18.13	4.23	16.80	3.91	16.18	3.76	15.47	3.60	14.22	3.30
	5	4.1	19.38	4.26	18.13	3.97	16.80	3.69	16.18	3.56	15.47	3.42	14.22	3.15
7	6	19.38	3.82	18.13	3.58	16.80	3.35	16.18	3.23	15.47	3.12	14.22	2.90	
9	7.9	19.38	3.70	18.13	3.48	16.80	3.28	16.18	3.17	15.47	3.08	14.22	2.87	
11	9.8	19.38	3.59	18.13	3.41	16.80	3.22	16.18	3.13	15.47	3.04	14.22	2.86	
13	11.8	19.38	3.50	18.13	3.33	16.80	3.17	16.18	3.09	15.47	3.01	14.22	2.85	
15	13.7	19.38	3.45	18.13	3.29	16.80	3.15	16.18	3.08	15.47	3.01	14.22	2.86	
50%	-25	-25.4	16.18	4.58	15.11	4.24	14.04	3.91	13.42	4.09	12.89	3.59	11.82	3.28
	-19.8	-20	16.18	4.50	15.11	4.17	14.04	3.84	13.42	3.69	12.89	3.53	11.82	3.23
	-18.8	-19	16.18	4.46	15.11	4.13	14.04	3.81	13.42	4.45	12.89	3.50	11.82	3.20
	-16.7	-17	16.18	4.37	15.11	4.05	14.04	3.74	13.42	3.59	12.89	3.44	11.82	3.14
	-13.7	-15	16.18	4.29	15.11	3.98	14.04	3.68	13.42	3.52	12.89	3.38	11.82	3.09
	-11.8	-13	16.18	4.21	15.11	3.91	14.04	3.61	13.42	3.46	12.89	3.32	11.82	3.04
	-9.8	-11	16.18	4.14	15.11	3.84	14.04	3.55	13.42	3.41	12.89	3.26	11.82	2.98
	-9.5	-10	16.18	4.10	15.11	3.80	14.04	3.52	13.42	3.37	12.89	3.24	11.82	2.96
	-8.5	-9.1	16.18	4.07	15.11	3.78	14.04	3.49	13.42	3.35	12.89	3.21	11.82	2.94
	-7	-7.6	16.18	4.02	15.11	3.73	14.04	3.45	13.42	3.31	12.89	3.17	11.82	2.90
	-5	-5.6	16.18	3.92	15.11	3.64	14.04	3.37	13.42	3.25	12.89	3.11	11.82	2.86
	-3	-3.7	16.18	4.07	15.11	3.78	14.04	3.50	13.42	3.37	12.89	3.23	11.82	2.96
	0	-0.7	16.18	4.28	15.11	3.98	14.04	3.69	13.42	3.55	12.89	3.41	11.82	3.13
	3	2.2	16.18	3.76	15.11	3.51	14.04	3.25	13.42	3.13	12.89	3.01	11.82	2.77
	5	4.1	16.18	3.56	15.11	3.33	14.04	3.11	13.42	3.00	12.89	2.89	11.82	2.67
7	6	16.18	3.23	15.11	3.05	14.04	2.86	13.42	2.77	12.89	2.67	11.82	2.49	
9	7.9	16.18	3.17	15.11	3.01	14.04	2.84	13.42	2.76	12.89	2.67	11.82	2.51	
11	9.8	16.18	3.13	15.11	2.98	14.04	2.82	13.42	2.75	12.89	2.68	11.82	2.53	
13	11.8	16.18	3.09	15.11	2.95	14.04	2.82	13.42	2.75	12.89	2.68	11.82	2.56	
15	13.7	16.18	3.08	15.11	2.95	14.04	2.83	13.42	2.78	12.89	2.72	11.82	2.60	

Abbreviations:

- CR: Combination ratio
- TC: Total capacity (kW)
- PI: Power input (compressor + outdoor fan motor) (kW)

Notes:

1. Shaded cells indicate rating condition.

Table 2-8.16: 12HP heating capacity

CR	Outdoor air temp.		Indoor air temp. °C DB											
			16.0		18.0		20.0		21.0		22.0		24.0	
	°C DB	°C WB	TC	PI	TC	PI	TC	PI	TC	PI	TC	PI	TC	PI
130%	-25	-25.4	27.00	8.30	26.90	8.38	26.79	8.47	26.70	8.52	26.68	8.57	26.54	8.69
	-19.8	-20	27.47	8.32	27.36	8.40	27.26	8.48	27.15	8.54	27.15	8.59	27.04	8.71
	-18.8	-19	27.68	8.33	27.57	8.40	27.47	8.49	27.47	8.55	27.36	8.60	27.26	8.71
	-16.7	-17	28.10	8.34	28.00	8.42	27.89	8.51	27.89	8.56	27.79	8.61	27.68	8.73
	-13.7	-15	28.53	8.35	28.42	8.43	28.32	8.53	28.32	8.58	28.21	8.63	28.10	8.74
	-11.8	-13	28.95	8.37	28.85	8.45	28.74	8.54	28.74	8.59	28.64	8.64	28.64	8.76
	-9.8	-11	29.38	8.38	29.27	8.46	29.17	8.56	29.17	8.60	29.17	8.65	29.06	8.77
	-9.5	-10	29.59	8.39	29.48	8.46	29.48	8.56	29.38	8.61	29.38	8.66	29.27	8.78
	-8.5	-9.1	29.80	8.39	29.70	8.47	29.59	8.57	29.59	8.62	29.59	8.67	29.48	8.79
	-7	-7.6	30.12	8.40	30.01	8.48	30.01	8.58	29.91	8.63	29.91	8.68	29.80	8.80
	-5	-5.6	32.45	9.01	32.35	9.11	32.24	9.20	32.24	9.26	32.13	9.32	32.03	9.43
	-3	-3.7	32.88	9.49	32.77	9.59	32.67	9.70	32.67	9.75	32.56	9.81	32.45	9.94
	0	-0.7	33.51	10.24	33.41	10.36	33.30	10.48	33.30	10.53	33.20	10.59	33.20	10.73
	3	2.2	36.59	10.05	36.59	10.16	36.48	10.28	36.38	10.33	36.38	10.39	36.27	10.28
	5	4.1	46.03	12.44	45.92	12.36	43.48	11.31	41.79	10.79	40.09	10.29	36.80	9.30
7	6	50.16	11.36	46.77	10.50	43.48	9.65	41.79	9.24	40.09	8.83	36.80	8.04	
9	7.9	50.16	10.37	46.77	9.63	43.48	8.91	41.79	8.56	40.09	8.21	36.80	7.51	
11	9.8	50.16	9.51	46.77	8.86	43.48	8.25	41.79	7.96	40.09	7.65	36.80	7.05	
13	11.8	50.16	8.76	46.77	8.21	43.48	7.68	41.79	7.42	40.09	7.16	36.80	6.64	
15	13.7	50.16	8.19	46.77	7.71	43.48	7.25	41.79	7.02	40.09	6.79	36.80	6.33	
120%	-25	-25.4	27.08	8.67	26.98	8.76	26.79	8.86	26.67	8.90	26.66	8.96	26.68	9.08
	-19.8	-20	27.44	8.68	27.33	8.77	27.23	8.87	27.23	8.92	27.12	8.98	27.01	9.10
	-18.8	-19	27.65	8.69	27.54	8.78	27.44	8.88	27.44	8.92	27.33	8.99	27.23	9.10
	-16.7	-17	28.08	8.70	27.97	8.79	27.86	8.89	27.86	8.94	27.76	9.00	27.76	9.12
	-13.7	-15	28.50	8.71	28.40	8.81	28.29	8.91	28.29	8.95	28.29	9.02	28.18	9.13
	-11.8	-13	28.93	8.74	28.82	8.82	29.57	8.92	28.71	8.98	28.71	9.03	28.61	9.15
	-9.8	-11	29.35	8.75	29.25	8.83	29.25	8.93	29.14	8.99	29.14	9.04	29.03	9.16
	-9.5	-10	29.57	8.76	29.46	8.85	29.46	8.94	29.35	9.00	29.35	9.05	29.25	9.17
	-8.5	-9.1	29.78	8.76	29.67	8.86	29.67	8.95	29.57	9.01	29.57	9.06	29.46	9.17
	-7	-7.6	30.10	8.77	29.99	8.87	29.99	8.97	29.88	9.02	29.88	9.07	29.78	9.18
	-5	-5.6	32.44	9.41	32.33	9.51	32.22	9.62	32.22	9.67	32.22	9.73	32.12	9.85
	-3	-3.7	32.86	9.91	32.76	10.02	32.65	10.13	32.65	10.18	32.54	10.25	32.54	10.37
	0	-0.7	33.50	10.71	33.39	10.81	33.29	10.93	33.29	11.00	33.29	11.06	33.18	11.13
	3	2.2	36.58	10.51	36.58	10.61	36.48	10.73	36.37	10.78	36.37	10.71	34.03	9.64
	5	4.1	46.05	12.60	43.28	11.59	40.20	10.62	38.60	10.14	37.12	9.67	34.03	8.76
7	6	46.37	10.71	43.28	9.90	40.20	9.12	38.60	8.74	37.12	8.37	34.03	7.63	
9	7.9	46.37	9.82	43.28	9.14	40.20	8.48	38.60	8.14	37.12	7.81	34.03	7.17	
11	9.8	46.37	9.06	43.28	8.48	40.20	7.90	38.60	7.62	37.12	7.33	34.03	6.77	
13	11.8	46.37	8.39	43.28	7.89	40.20	7.39	38.60	7.14	37.12	6.90	34.03	6.41	
15	13.7	46.37	7.89	43.28	7.45	40.20	7.01	38.60	6.79	37.12	6.58	34.03	6.16	
110%	-25	-25.4	26.94	8.90	26.82	8.99	26.69	9.09	26.72	9.14	26.63	9.20	26.62	9.32
	-19.8	-20	27.33	8.91	27.23	9.01	27.12	9.11	27.12	9.15	27.01	9.22	27.01	9.33
	-18.8	-19	27.54	8.92	27.44	9.01	27.33	9.11	27.33	9.17	27.23	9.22	27.23	9.34
	-16.7	-17	27.97	8.93	27.86	9.03	27.76	9.13	27.76	9.19	27.76	9.24	27.65	9.35
	-13.7	-15	28.40	8.96	28.29	9.04	28.18	9.14	28.18	9.20	28.18	9.25	28.08	9.37
	-11.8	-13	28.82	8.97	28.71	9.07	28.71	9.17	28.61	9.22	28.61	9.28	28.50	9.39
	-9.8	-11	29.25	8.99	29.14	9.08	29.14	9.18	29.03	9.23	29.03	9.29	28.93	9.41
	-9.5	-10	29.46	8.99	29.46	9.09	29.35	9.19	29.25	9.24	29.25	9.30	29.14	9.41
	-8.5	-9.1	29.67	9.00	29.57	9.09	29.57	9.20	29.46	9.24	29.46	9.30	29.35	9.42
	-7	-7.6	29.99	9.01	29.88	9.10	29.88	9.21	29.78	9.25	29.78	9.31	29.67	9.43
	-5	-5.6	32.33	9.67	32.22	9.77	32.12	9.87	32.12	9.93	32.12	9.98	31.16	9.35
	-3	-3.7	32.76	10.18	32.65	10.29	32.54	10.40	32.54	10.46	32.54	10.51	31.16	9.67
	0	-0.7	33.39	11.00	33.29	11.11	33.29	11.23	33.18	11.29	33.18	11.28	31.16	10.16
	3	2.2	36.48	10.79	36.48	10.90	36.37	10.75	35.41	10.26	34.03	9.77	31.16	8.81
	5	4.1	42.54	11.50	39.67	10.60	36.90	9.73	35.41	10.40	34.03	8.88	31.16	8.06
7	6	42.54	9.84	39.67	9.12	36.90	8.42	35.41	8.07	34.03	7.73	31.16	7.07	
9	7.9	42.54	9.10	39.67	8.47	36.90	7.86	35.41	7.57	34.03	7.27	31.16	6.69	
11	9.8	42.54	8.45	39.67	7.91	36.90	7.38	35.41	7.12	34.03	6.86	31.16	6.35	
13	11.8	42.54	7.86	39.67	7.40	36.90	6.95	35.41	6.73	34.03	6.50	31.16	6.05	
15	13.7	42.54	7.44	39.67	7.04	36.90	6.63	35.41	6.43	34.03	6.24	31.16	5.85	

**Abbreviations:**

CR: Combination ratio

TC: Total capacity (kW)

PI: Power input (compressor + outdoor fan motor) (kW)

**Notes:**

1. Shaded cells indicate rating condition.

Table continued on next page ...



Table 2-8.16: 12HP heating capacity (continued)

CR	Outdoor air temp.		Indoor air temp. °C DB											
			16.0		18.0		20.0		21.0		22.0		24.0	
	°C DB	°C WB	TC	PI	TC	PI	TC	PI	TC	PI	TC	PI	TC	PI
100%	-25	-25.4	27.23	9.04	27.12	9.13	27.01	9.23	27.01	9.29	27.01	9.34	26.91	9.46
	-19.8	-20	27.44	9.04	27.33	9.14	27.23	9.24	27.23	9.30	27.23	9.35	27.12	9.46
	-18.8	-19	27.86	9.07	27.76	9.17	27.65	9.26	27.65	9.31	27.65	9.36	27.54	9.47
	-16.7	-17	28.29	9.08	28.18	9.18	28.18	9.28	28.08	9.33	28.08	9.39	27.97	9.28
	-13.7	-15	28.71	9.10	28.61	9.19	28.61	9.30	28.50	9.34	28.50	9.40	28.40	9.09
	-11.8	-13	29.14	9.11	29.03	9.21	29.03	9.31	28.93	9.36	28.93	9.41	28.40	8.91
	-9.8	-11	29.35	9.12	29.35	9.22	29.25	9.32	29.25	9.36	29.14	9.42	28.40	8.82
	-9.5	-10	29.57	9.13	29.46	9.22	29.46	9.32	29.35	9.37	29.35	9.43	28.40	8.75
	-8.5	-9.1	29.88	9.14	29.88	9.23	29.78	9.33	29.67	9.39	29.67	9.44	28.40	8.62
	-7	-7.6	32.22	9.15	32.12	9.23	32.12	9.33	32.01	9.73	30.95	9.25	28.40	8.35
	-5	-5.6	32.65	9.17	32.54	9.24	32.54	9.34	32.22	10.06	30.95	9.57	28.40	8.64
	-3	-3.7	33.29	9.18	33.18	9.25	33.18	9.03	32.22	9.46	30.95	10.06	28.40	9.08
	0	-0.7	34.14	9.19	36.05	9.25	33.50	8.78	32.22	9.95	30.95	9.48	28.40	8.53
	3	2.2	36.37	9.76	36.05	9.02	33.50	8.53	32.22	9.15	30.95	8.73	28.40	7.90
	5	4.1	38.60	9.26	36.05	8.58	33.50	8.13	32.22	8.36	30.95	7.98	28.40	7.27
7	6	38.60	8.75	36.05	8.14	33.50	7.61	32.22	7.31	30.95	7.00	28.40	6.42	
9	7.9	38.60	8.25	36.05	7.71	33.50	7.17	32.22	6.90	30.95	6.64	28.40	6.12	
11	9.8	38.60	7.72	36.05	7.24	33.50	6.77	32.22	6.54	30.95	6.31	28.40	5.86	
13	11.8	38.60	7.24	36.05	6.83	33.50	6.42	32.22	6.22	30.95	6.02	28.40	5.62	
15	13.7	38.60	6.88	36.05	6.53	33.50	6.17	32.22	5.99	30.95	5.81	28.40	5.46	
90%	-25	-25.4	26.62	9.17	26.48	9.26	26.40	9.36	26.37	9.55	26.79	9.72	25.52	8.79
	-19.8	-20	27.12	9.19	27.01	9.28	26.91	9.37	26.91	9.43	26.91	9.48	25.52	8.60
	-18.8	-19	27.33	9.20	27.23	9.29	27.12	9.39	27.12	9.44	27.12	9.45	25.52	8.51
	-16.7	-17	27.76	9.21	27.65	9.30	27.65	9.40	27.54	9.45	27.54	9.26	25.52	8.34
	-13.7	-15	28.18	9.22	28.08	9.32	28.08	9.42	27.97	9.46	27.86	9.08	25.52	8.17
	-11.8	-13	28.61	9.24	28.50	9.33	28.50	9.43	28.40	9.34	27.86	8.89	25.52	8.02
	-9.8	-11	29.03	9.25	29.03	9.35	28.93	9.44	28.93	9.15	27.86	8.72	25.52	7.86
	-9.5	-10	29.25	9.26	29.25	9.35	29.14	9.45	29.03	9.07	27.86	8.64	25.52	7.79
	-8.5	-9.1	29.46	9.28	29.35	9.36	29.35	9.43	29.03	8.99	27.86	8.56	25.52	7.72
	-7	-7.6	29.78	9.29	29.78	9.37	29.67	9.30	29.03	8.87	27.86	8.44	25.52	7.61
	-5	-5.6	32.12	9.30	32.01	9.38	30.20	8.98	29.03	8.57	27.86	8.17	25.52	7.39
	-3	-3.7	32.54	9.32	32.44	9.39	30.20	9.29	29.03	8.87	27.86	8.46	25.52	7.64
	0	-0.7	33.18	9.33	32.44	9.40	30.20	9.76	29.03	9.32	27.86	8.89	25.52	8.04
	3	2.2	34.78	9.34	32.44	9.24	30.20	8.48	29.03	8.11	27.86	7.73	25.52	7.01
	5	4.1	34.78	9.11	32.44	8.44	30.20	7.78	29.03	7.44	27.86	7.12	25.52	6.51
7	6	34.78	7.92	32.44	7.37	30.20	6.83	29.03	6.56	27.86	6.31	25.52	5.79	
9	7.9	34.78	7.43	32.44	6.96	30.20	6.49	29.03	6.25	27.86	6.02	25.52	5.57	
11	9.8	34.78	7.00	32.44	6.58	30.20	6.18	29.03	5.97	27.86	5.77	25.52	5.37	
13	11.8	34.78	6.62	32.44	6.25	30.20	5.90	29.03	5.72	27.86	5.55	25.52	5.19	
15	13.7	34.78	6.34	32.44	6.02	30.20	5.70	29.03	5.55	27.86	5.39	25.52	5.07	
80%	-25	-25.4	26.52	9.21	26.41	9.46	26.80	9.20	25.74	8.78	24.78	8.36	22.65	7.55
	-19.8	-20	27.01	9.22	26.91	9.32	26.80	9.01	25.74	8.59	24.78	8.19	22.65	7.39
	-18.8	-19	27.23	9.24	27.12	9.32	26.80	8.92	25.74	8.51	24.78	8.10	22.65	7.32
	-16.7	-17	27.65	9.25	27.54	9.34	26.80	8.73	25.74	8.33	24.78	7.94	22.65	7.17
	-13.7	-15	28.08	9.27	27.97	9.36	26.80	8.56	25.74	8.17	24.78	7.79	22.65	7.04
	-11.8	-13	28.50	9.28	28.40	9.18	26.80	8.39	25.74	8.00	24.78	7.63	22.65	6.90
	-9.8	-11	28.93	9.29	28.82	9.00	26.80	8.23	25.74	7.85	24.78	7.49	22.65	6.77
	-9.5	-10	29.14	9.30	28.82	8.91	26.80	8.15	25.74	7.78	24.78	7.42	22.65	6.71
	-8.5	-9.1	29.35	9.31	28.82	8.83	26.80	8.08	25.74	7.71	24.78	7.35	22.65	6.65
	-7	-7.6	29.67	9.32	28.82	8.70	26.80	7.97	25.74	7.61	24.78	7.25	22.65	6.57
	-5	-5.6	30.95	9.14	28.82	8.42	26.80	7.72	25.74	7.37	24.78	7.05	22.65	6.38
	-3	-3.7	30.95	9.45	28.82	8.71	26.80	7.99	25.74	7.63	24.78	7.29	22.65	6.61
	0	-0.7	30.95	9.93	28.82	9.16	26.80	8.40	25.74	8.03	24.78	7.67	22.65	6.96
	3	2.2	30.95	8.63	28.82	7.96	26.80	7.32	25.74	7.00	24.78	6.70	22.65	6.09
	5	4.1	30.95	7.88	28.82	7.32	26.80	6.76	25.74	6.49	24.78	6.22	22.65	5.70
7	6	30.95	6.92	28.82	6.46	26.80	6.00	25.74	5.77	24.78	5.55	22.65	5.12	
9	7.9	30.95	6.56	28.82	6.15	26.80	5.75	25.74	5.55	24.78	5.35	22.65	4.97	
11	9.8	30.95	6.23	28.82	5.87	26.80	5.52	25.74	5.35	24.78	5.17	22.65	4.84	
13	11.8	30.95	5.95	28.82	5.63	26.80	5.33	25.74	5.17	24.78	5.02	22.65	4.72	
15	13.7	30.95	5.74	28.82	5.46	26.80	5.18	25.74	5.05	24.78	4.91	22.65	4.64	

Abbreviations:

CR: Combination ratio

TC: Total capacity (kW)

PI: Power input (compressor + outdoor fan motor) (kW)

Notes:

1. Shaded cells indicate rating condition.

Table continued on next page ...

Table 2-8.16: 12HP heating capacity (continued)

CR	Outdoor air temp.		Indoor air temp. °C DB											
			16.0		18.0		20.0		21.0		22.0		24.0	
	°C DB	°C WB	TC	PI	TC	PI	TC	PI	TC	PI	TC	PI	TC	PI
70%	-25	-25.4	26.84	9.43	25.20	8.67	23.50	7.94	22.55	7.58	21.70	7.24	19.89	6.55
	-19.8	-20	26.80	9.23	25.20	8.49	23.50	7.79	22.55	7.43	21.70	7.09	19.89	6.42
	-18.8	-19	27.01	9.13	25.20	8.40	23.50	7.70	22.55	7.36	21.70	7.03	19.89	6.36
	-16.7	-17	27.01	8.94	25.20	8.24	23.50	7.55	22.55	7.21	21.70	6.88	19.89	6.24
	-13.7	-15	27.01	8.77	25.20	8.07	23.50	7.40	22.55	7.08	21.70	6.75	19.89	6.12
	-11.8	-13	27.01	8.59	25.20	7.92	23.50	7.27	22.55	6.94	21.70	6.63	19.89	6.01
	-9.8	-11	27.01	8.43	25.20	7.76	23.50	7.12	22.55	6.82	21.70	6.51	19.89	5.90
	-9.5	-10	27.01	8.35	25.20	7.70	23.50	7.06	22.55	6.75	21.70	6.44	19.89	5.86
	-8.5	-9.1	27.01	8.27	25.20	7.63	23.50	7.00	22.55	6.69	21.70	6.40	19.89	5.80
	-7	-7.6	27.01	8.16	25.20	7.52	23.50	6.90	22.55	6.61	21.70	6.31	19.89	5.72
	-5	-5.6	27.01	7.91	25.20	7.30	23.50	6.72	22.55	6.43	21.70	6.14	19.89	5.59
	-3	-3.7	27.01	8.18	25.20	7.55	23.50	6.95	22.55	6.65	21.70	6.36	19.89	5.79
	0	-0.7	27.01	8.60	25.20	7.95	23.50	7.31	22.55	7.00	21.70	6.69	19.89	6.10
	3	2.2	27.01	7.49	25.20	6.94	23.50	6.40	22.55	6.13	21.70	5.87	19.89	5.36
	5	4.1	27.01	6.92	25.20	6.44	23.50	5.97	22.55	5.74	21.70	5.50	19.89	5.05
7	6	27.01	6.13	25.20	5.74	23.50	5.35	22.55	5.15	21.70	4.96	19.89	4.59	
9	7.9	27.01	5.87	25.20	5.51	23.50	5.17	22.55	6.11	21.70	4.83	19.89	4.50	
11	9.8	27.01	5.64	25.20	5.33	23.50	5.02	22.55	4.87	21.70	4.72	19.89	4.42	
13	11.8	27.01	5.43	25.20	5.16	23.50	4.89	22.55	4.75	21.70	4.62	19.89	4.36	
15	13.7	27.01	5.28	25.20	5.04	23.50	4.81	22.55	4.69	21.70	4.57	19.89	4.33	
60%	-25	-25.4	23.18	7.85	21.70	7.24	20.10	6.65	19.36	6.36	18.50	6.08	17.02	5.52
	-19.8	-20	23.18	7.69	21.70	7.09	20.10	6.52	19.36	6.23	18.50	5.96	17.02	5.42
	-18.8	-19	23.18	7.61	21.70	7.03	20.10	6.45	19.36	6.18	18.50	5.90	17.02	5.37
	-16.7	-17	23.18	7.46	21.70	6.88	20.10	6.33	19.36	6.05	18.50	5.79	17.02	5.27
	-13.7	-15	23.18	7.31	21.70	6.75	20.10	6.21	19.36	5.94	18.50	5.69	17.02	5.17
	-11.8	-13	23.18	7.17	21.70	6.63	20.10	6.10	19.36	5.83	18.50	5.58	17.02	5.08
	-9.8	-11	23.18	7.04	21.70	6.51	20.10	5.99	19.36	5.74	18.50	5.48	17.02	5.00
	-9.5	-10	23.18	6.97	21.70	6.44	20.10	5.93	19.36	5.68	18.50	5.44	17.02	4.95
	-8.5	-9.1	23.18	6.92	21.70	6.40	20.10	5.89	19.36	5.64	18.50	5.39	17.02	4.92
	-7	-7.6	23.18	6.82	21.70	6.31	20.10	5.81	19.36	5.57	18.50	5.33	17.02	4.85
	-5	-5.6	23.18	6.63	21.70	6.14	20.10	5.67	19.36	5.44	18.50	5.21	17.02	4.75
	-3	-3.7	23.18	6.87	21.70	6.36	20.10	5.87	19.36	5.64	18.50	5.39	17.02	4.93
	0	-0.7	23.18	7.22	21.70	6.69	20.10	6.19	19.36	5.93	18.50	5.68	17.02	5.19
	3	2.2	23.18	6.32	21.70	5.87	20.10	5.43	19.36	5.22	18.50	5.00	17.02	4.58
	5	4.1	23.18	5.90	21.70	5.50	20.10	5.12	19.36	4.93	18.50	4.74	17.02	4.37
7	6	23.18	5.29	21.70	4.96	20.10	4.64	19.36	4.48	18.50	4.32	17.02	4.01	
9	7.9	23.18	5.13	21.70	4.83	20.10	4.54	19.36	4.40	18.50	4.27	17.02	3.98	
11	9.8	23.18	4.97	21.70	4.72	20.10	4.47	19.36	4.33	18.50	4.21	17.02	3.96	
13	11.8	23.18	4.85	21.70	4.62	20.10	4.40	19.36	4.28	18.50	4.17	17.02	3.95	
15	13.7	23.18	4.78	21.70	4.57	20.10	4.37	19.36	4.27	18.50	4.17	17.02	3.96	
50%	-25	-25.4	19.36	6.34	18.08	5.88	16.80	5.42	16.06	5.68	15.42	4.98	14.14	4.55
	-19.8	-20	19.36	6.23	18.08	5.78	16.80	5.33	16.06	5.12	15.42	4.90	14.14	4.48
	-18.8	-19	19.36	6.18	18.08	5.72	16.80	5.28	16.06	6.17	15.42	4.85	14.14	4.43
	-16.7	-17	19.36	6.05	18.08	5.61	16.80	5.18	16.06	4.97	15.42	4.76	14.14	4.36
	-13.7	-15	19.36	5.94	18.08	5.51	16.80	5.10	16.06	4.89	15.42	4.69	14.14	4.28
	-11.8	-13	19.36	5.83	18.08	5.42	16.80	5.01	16.06	4.80	15.42	4.60	14.14	4.21
	-9.8	-11	19.36	5.74	18.08	5.33	16.80	4.92	16.06	4.72	15.42	4.52	14.14	4.14
	-9.5	-10	19.36	5.68	18.08	5.27	16.80	4.87	16.06	4.68	15.42	4.49	14.14	4.10
	-8.5	-9.1	19.36	5.64	18.08	5.24	16.80	4.84	16.06	4.64	15.42	4.46	14.14	4.08
	-7	-7.6	19.36	5.57	18.08	5.17	16.80	4.78	16.06	4.59	15.42	4.40	14.14	4.03
	-5	-5.6	19.36	5.44	18.08	5.05	16.80	4.68	16.06	4.50	15.42	4.31	14.14	3.96
	-3	-3.7	19.36	5.64	18.08	5.24	16.80	4.85	16.06	4.67	15.42	4.48	14.14	4.10
	0	-0.7	19.36	5.93	18.08	5.51	16.80	5.12	16.06	4.92	15.42	4.72	14.14	4.33
	3	2.2	19.36	5.22	18.08	4.86	16.80	4.51	16.06	4.35	15.42	4.17	14.14	3.84
	5	4.1	19.36	4.93	18.08	4.61	16.80	4.31	16.06	4.16	15.42	4.00	14.14	3.71
7	6	19.36	4.48	18.08	4.22	16.80	3.96	16.06	3.84	15.42	3.71	14.14	3.45	
9	7.9	19.36	4.40	18.08	4.17	16.80	3.94	16.06	3.83	15.42	3.71	14.14	3.49	
11	9.8	19.36	4.33	18.08	4.12	16.80	3.92	16.06	3.82	15.42	3.72	14.14	3.51	
13	11.8	19.36	4.28	18.08	4.09	16.80	3.92	16.06	3.82	15.42	3.72	14.14	3.55	
15	13.7	19.36	4.27	18.08	4.09	16.80	3.93	16.06	3.85	15.42	3.77	14.14	3.61	

**Abbreviations:**

CR: Combination ratio

TC: Total capacity (kW)

PI: Power input (compressor + outdoor fan motor) (kW)

**Notes:**

1. Shaded cells indicate rating condition.



Table 2-8.17: 14HP heating capacity

CR	Outdoor air temp.		Indoor air temp. °C DB											
			16.0		18.0		20.0		21.0		22.0		24.0	
	°C DB	°C WB	TC kW	PI kW	TC kW	PI kW	TC kW	PI kW	TC kW	PI kW	TC kW	PI kW	TC kW	PI kW
130%	-25	-25.4	32.24	10.14	32.11	10.24	31.99	10.35	31.89	10.41	31.86	10.48	31.68	10.61
	-19.8	-20	32.80	10.16	32.67	10.26	32.54	10.37	32.42	10.43	32.42	10.50	32.29	10.64
	-18.8	-19	33.05	10.17	32.92	10.26	32.80	10.38	32.80	10.45	32.67	10.51	32.54	10.64
	-16.7	-17	33.56	10.19	33.43	10.29	33.30	10.39	33.30	10.46	33.18	10.52	33.05	10.66
	-13.7	-15	34.06	10.20	33.94	10.30	33.81	10.42	33.81	10.48	33.68	10.55	33.56	10.68
	-11.8	-13	34.57	10.23	34.44	10.33	34.32	10.43	34.32	10.50	34.19	10.56	34.19	10.70
	-9.8	-11	35.08	10.24	34.95	10.34	34.82	10.46	34.82	10.51	34.82	10.57	34.70	10.72
	-9.5	-10	35.33	10.25	35.20	10.34	35.20	10.46	35.08	10.52	35.08	10.59	34.95	10.73
	-8.5	-9.1	35.58	10.25	35.46	10.36	35.33	10.47	35.33	10.54	35.33	10.60	35.20	10.74
	-7	-7.6	35.96	10.26	35.84	10.37	35.84	10.48	35.71	10.55	35.71	10.61	35.58	10.75
	-5	-5.6	38.75	11.01	38.62	11.13	38.50	11.24	38.50	11.32	38.37	11.39	38.24	11.53
	-3	-3.7	39.26	11.59	39.13	11.72	39.00	11.85	39.00	11.91	38.88	11.99	38.75	12.15
	0	-0.7	40.02	12.52	39.89	12.66	39.76	12.80	39.76	12.87	39.64	12.94	39.64	13.11
	3	2.2	43.69	12.29	43.69	12.42	43.56	12.56	43.44	12.62	43.44	12.70	43.31	12.56
	5	4.1	54.96	15.20	54.83	15.11	51.92	13.82	49.89	13.19	47.87	12.57	43.94	11.36
7	6	59.90	13.88	55.85	12.83	51.92	11.80	49.89	11.30	47.87	10.79	43.94	9.83	
9	7.9	59.90	12.67	55.85	11.77	51.92	10.88	49.89	10.46	47.87	10.03	43.94	9.18	
11	9.8	59.90	11.62	55.85	10.83	51.92	10.08	49.89	9.72	47.87	9.35	43.94	8.62	
13	11.8	59.90	10.70	55.85	10.03	51.92	9.39	49.89	9.07	47.87	8.75	43.94	8.11	
15	13.7	59.90	10.01	55.85	9.43	51.92	8.86	49.89	8.58	47.87	8.29	43.94	7.74	
120%	-25	-25.4	32.34	10.60	32.21	10.70	67.45	10.82	32.08	10.88	31.95	10.95	31.86	11.10
	-19.8	-20	32.76	10.61	32.63	10.72	32.51	10.84	32.51	10.90	32.38	10.97	32.25	11.12
	-18.8	-19	33.02	10.62	32.89	10.73	32.76	10.85	32.76	10.90	32.63	10.98	32.51	11.12
	-16.7	-17	33.52	10.64	33.40	10.74	33.27	10.86	33.27	10.93	33.14	11.00	33.14	11.14
	-13.7	-15	34.03	10.65	33.90	10.77	33.78	10.89	33.78	10.94	33.78	11.02	33.65	11.16
	-11.8	-13	34.54	10.68	34.41	10.78	35.30	10.90	34.29	10.97	34.29	11.04	34.16	11.18
	-9.8	-11	35.05	10.69	34.92	10.80	34.92	10.92	34.79	10.98	34.79	11.05	34.67	11.20
	-9.5	-10	35.30	10.70	35.17	10.81	35.17	10.93	35.05	11.00	35.05	11.06	34.92	11.21
	-8.5	-9.1	35.56	10.70	35.43	10.82	35.43	10.94	35.30	11.01	35.30	11.08	35.17	11.21
	-7	-7.6	35.94	10.72	35.81	10.84	35.81	10.96	35.68	11.02	35.68	11.09	35.56	11.22
	-5	-5.6	38.73	11.50	38.60	11.62	38.48	11.75	38.48	11.82	38.48	11.89	38.35	12.03
	-3	-3.7	39.24	12.11	39.11	12.25	38.98	12.38	38.98	12.45	38.86	12.52	38.86	12.67
	0	-0.7	40.00	13.08	39.87	13.22	39.75	13.36	39.75	13.44	39.75	13.52	39.62	13.60
	3	2.2	43.68	12.84	43.68	12.96	43.56	13.11	43.43	13.18	43.43	13.08	40.63	11.78
	5	4.1	54.98	15.40	51.68	14.16	48.00	12.98	46.10	12.39	44.32	11.82	40.63	10.70
7	6	55.37	13.08	51.68	12.10	48.00	11.14	46.10	10.68	44.32	10.22	40.63	9.32	
9	7.9	55.37	12.01	51.68	11.17	48.00	10.36	46.10	9.95	44.32	9.55	40.63	8.76	
11	9.8	55.37	11.08	51.68	10.36	48.00	9.65	46.10	9.31	44.32	8.96	40.63	8.27	
13	11.8	55.37	10.25	51.68	9.64	48.00	9.03	46.10	8.72	44.32	8.43	40.63	7.83	
15	13.7	55.37	9.64	51.68	9.11	48.00	8.56	46.10	8.30	44.32	8.04	40.63	7.53	
110%	-25	-25.4	32.16	10.87	32.02	10.99	31.86	11.11	31.91	11.17	31.80	11.25	31.78	11.39
	-19.8	-20	32.63	10.89	32.51	11.01	32.38	11.13	32.38	11.19	32.25	11.27	32.25	11.40
	-18.8	-19	32.89	10.90	32.76	11.01	32.63	11.13	32.63	11.20	32.51	11.27	32.51	11.42
	-16.7	-17	33.40	10.92	33.27	11.04	33.14	11.16	33.14	11.23	33.14	11.29	33.02	11.43
	-13.7	-15	33.90	10.94	33.78	11.05	33.65	11.17	33.65	11.24	33.65	11.31	33.52	11.46
	-11.8	-13	34.41	10.96	34.29	11.08	34.29	11.20	34.16	11.27	34.16	11.34	34.03	11.47
	-9.8	-11	34.92	10.98	34.79	11.09	34.79	11.21	34.67	11.28	34.67	11.35	34.54	11.50
	-9.5	-10	35.17	10.98	35.17	11.11	35.05	11.23	34.92	11.29	34.92	11.36	34.79	11.50
	-8.5	-9.1	35.43	11.00	35.30	11.11	35.30	11.24	35.17	11.29	35.17	11.36	35.05	11.51
	-7	-7.6	35.81	11.01	35.68	11.12	35.68	11.25	35.56	11.31	35.56	11.38	35.43	11.52
	-5	-5.6	38.60	11.82	38.48	11.94	38.35	12.06	38.35	12.13	38.35	12.20	37.21	11.43
	-3	-3.7	39.11	12.44	38.98	12.58	38.86	12.71	38.86	12.78	38.86	12.84	37.21	11.82
	0	-0.7	39.87	13.44	39.75	13.57	39.75	13.72	39.62	13.80	39.62	13.79	37.21	12.41
	3	2.2	43.56	13.18	43.56	13.32	43.43	13.14	42.29	12.53	40.63	11.94	37.21	10.77
	5	4.1	50.79	14.06	47.37	12.95	44.06	11.89	42.29	12.71	40.63	10.85	37.21	9.85
7	6	50.79	12.02	47.37	11.15	44.06	10.28	42.29	9.87	40.63	9.45	37.21	8.64	
9	7.9	50.79	11.12	47.37	10.35	44.06	9.61	42.29	9.25	40.63	8.88	37.21	8.18	
11	9.8	50.79	10.32	47.37	9.66	44.06	9.02	42.29	8.71	40.63	8.38	37.21	7.76	
13	11.8	50.79	9.61	47.37	9.04	44.06	8.49	42.29	8.22	40.63	7.94	37.21	7.40	
15	13.7	50.79	9.10	47.37	8.60	44.06	8.10	42.29	7.86	40.63	7.63	37.21	7.14	

Abbreviations:

- CR: Combination ratio
- TC: Total capacity (kW)
- PI: Power input (compressor + outdoor fan motor) (kW)

Notes:

1. Shaded cells indicate rating condition.

Table continued on next page ...

Table 2-8.17: 14HP heating capacity (continued)

CR	Outdoor air temp.		Indoor air temp. °C DB											
			16.0		18.0		20.0		21.0		22.0		24.0	
	°C DB	°C WB	TC kW	PI kW	TC kW	PI kW	TC kW	PI kW	TC kW	PI kW	TC kW	PI kW	TC kW	PI kW
100%	-25	-25.4	32.51	11.05	32.38	11.16	32.25	11.28	32.25	11.35	32.25	11.42	32.13	11.56
	-19.8	-20	32.76	11.05	32.63	11.17	32.51	11.29	32.51	11.36	32.51	11.43	32.38	11.56
	-18.8	-19	33.27	11.08	33.14	11.20	33.02	11.32	33.02	11.38	33.02	11.44	32.89	11.58
	-16.7	-17	33.78	11.09	33.65	11.21	33.65	11.34	33.52	11.40	33.52	11.47	33.40	11.34
	-13.7	-15	34.29	11.12	34.16	11.23	34.16	11.36	34.03	11.42	34.03	11.48	33.90	11.11
	-11.8	-13	34.79	11.13	34.67	11.25	34.67	11.38	34.54	11.44	34.54	11.50	33.90	10.89
	-9.8	-11	35.05	11.15	35.05	11.27	34.92	11.39	34.92	11.44	34.79	11.51	33.90	10.78
	-9.5	-10	35.30	11.16	35.17	11.27	35.17	11.39	35.05	11.46	35.05	11.52	33.90	10.69
	-8.5	-9.1	35.68	11.17	35.68	11.28	35.56	11.40	35.43	11.47	35.43	11.54	33.90	10.54
	-7	-7.6	38.48	11.19	38.35	11.29	38.35	11.41	38.22	11.89	36.95	11.31	33.90	10.20
	-5	-5.6	38.98	11.20	38.86	11.29	38.86	11.41	38.48	12.29	36.95	11.70	33.90	10.55
	-3	-3.7	39.75	11.21	39.62	11.30	39.62	11.04	38.48	11.56	36.95	12.29	33.90	11.09
	0	-0.7	40.76	11.23	43.05	11.31	40.00	10.73	38.48	12.16	36.95	11.59	33.90	10.42
	3	2.2	43.43	11.93	43.05	11.03	40.00	10.42	38.48	11.19	36.95	10.67	33.90	9.65
	5	4.1	46.10	11.31	43.05	10.49	40.00	9.93	38.48	10.22	36.95	9.76	33.90	8.88
	7	6	46.10	10.69	43.05	9.95	40.00	9.30	38.48	8.94	36.95	8.56	33.90	7.84
	9	7.9	46.10	10.08	43.05	9.42	40.00	8.76	38.48	8.44	36.95	8.11	33.90	7.48
11	9.8	46.10	9.43	43.05	8.84	40.00	8.28	38.48	7.99	36.95	7.71	33.90	7.16	
13	11.8	46.10	8.84	43.05	8.34	40.00	7.84	38.48	7.60	36.95	7.36	33.90	6.87	
15	13.7	46.10	8.41	43.05	7.98	40.00	7.53	38.48	7.32	36.95	7.10	33.90	6.67	
90%	-25	-25.4	31.79	11.21	31.62	11.31	31.52	11.44	31.49	11.67	31.99	11.87	30.48	10.74
	-19.8	-20	32.38	11.23	32.25	11.34	32.13	11.46	32.13	11.52	32.13	11.59	30.48	10.51
	-18.8	-19	32.63	11.24	32.51	11.35	32.38	11.47	32.38	11.54	32.38	11.55	30.48	10.41
	-16.7	-17	33.14	11.25	33.02	11.36	33.02	11.48	32.89	11.55	32.89	11.32	30.48	10.19
	-13.7	-15	33.65	11.27	33.52	11.39	33.52	11.51	33.40	11.56	33.27	11.09	30.48	9.99
	-11.8	-13	34.16	11.29	34.03	11.40	34.03	11.52	33.90	11.42	33.27	10.86	30.48	9.80
	-9.8	-11	34.67	11.31	34.67	11.43	34.54	11.54	34.54	11.19	33.27	10.66	30.48	9.61
	-9.5	-10	34.92	11.32	34.92	11.43	34.79	11.55	34.67	11.08	33.27	10.55	30.48	9.52
	-8.5	-9.1	35.17	11.34	35.05	11.44	35.05	11.52	34.67	10.98	33.27	10.46	30.48	9.43
	-7	-7.6	35.56	11.35	35.56	11.46	35.43	11.36	34.67	10.84	33.27	10.31	30.48	9.30
	-5	-5.6	38.35	11.37	38.22	11.47	36.06	10.97	34.67	10.47	33.27	9.99	30.48	9.03
	-3	-3.7	38.86	11.38	38.73	11.48	36.06	11.35	34.67	10.84	33.27	10.34	30.48	9.34
	0	-0.7	39.62	11.40	38.73	11.49	36.06	11.93	34.67	11.39	33.27	10.86	30.48	9.83
	3	2.2	41.52	11.42	38.73	11.29	36.06	10.36	34.67	9.91	33.27	9.45	30.48	8.57
	5	4.1	41.52	11.13	38.73	10.31	36.06	9.50	34.67	9.10	33.27	8.71	30.48	7.95
	7	6	41.52	9.68	38.73	9.00	36.06	8.34	34.67	8.02	33.27	7.71	30.48	7.08
	9	7.9	41.52	9.08	38.73	8.50	36.06	7.93	34.67	7.64	33.27	7.36	30.48	6.81
11	9.8	41.52	8.56	38.73	8.05	36.06	7.55	34.67	7.29	33.27	7.05	30.48	6.56	
13	11.8	41.52	8.09	38.73	7.64	36.06	7.21	34.67	7.00	33.27	6.78	30.48	6.35	
15	13.7	41.52	7.75	38.73	7.36	36.06	6.97	34.67	6.78	33.27	6.59	30.48	6.20	
80%	-25	-25.4	31.66	11.25	31.53	11.56	32.00	11.25	30.73	10.73	29.59	10.22	27.05	9.22
	-19.8	-20	32.25	11.27	32.13	11.39	32.00	11.01	30.73	10.50	29.59	10.01	27.05	9.04
	-18.8	-19	32.51	11.29	32.38	11.39	32.00	10.90	30.73	10.39	29.59	9.90	27.05	8.94
	-16.7	-17	33.02	11.30	32.89	11.42	32.00	10.67	30.73	10.18	29.59	9.70	27.05	8.76
	-13.7	-15	33.52	11.33	33.40	11.43	32.00	10.46	30.73	9.98	29.59	9.52	27.05	8.60
	-11.8	-13	34.03	11.34	33.90	11.22	32.00	10.25	30.73	9.78	29.59	9.33	27.05	8.44
	-9.8	-11	34.54	11.35	34.41	10.99	32.00	10.06	30.73	9.60	29.59	9.16	27.05	8.28
	-9.5	-10	34.79	11.37	34.41	10.89	32.00	9.96	30.73	9.50	29.59	9.06	27.05	8.20
	-8.5	-9.1	35.05	11.38	34.41	10.79	32.00	9.88	30.73	9.42	29.59	8.98	27.05	8.13
	-7	-7.6	35.43	11.39	34.41	10.63	32.00	9.74	30.73	9.30	29.59	8.86	27.05	8.03
	-5	-5.6	36.95	11.17	34.41	10.29	32.00	9.44	30.73	9.01	29.59	8.61	27.05	7.80
	-3	-3.7	36.95	11.55	34.41	10.65	32.00	9.77	30.73	9.33	29.59	8.90	27.05	8.08
	0	-0.7	36.95	12.14	34.41	11.19	32.00	10.26	30.73	9.81	29.59	9.37	27.05	8.50
	3	2.2	36.95	10.54	34.41	9.73	32.00	8.94	30.73	8.56	29.59	8.19	27.05	7.44
	5	4.1	36.95	9.64	34.41	8.94	32.00	8.27	30.73	7.93	29.59	7.60	27.05	6.96
	7	6	36.95	8.45	34.41	7.89	32.00	7.33	30.73	7.05	29.59	6.79	27.05	6.26
	9	7.9	36.95	8.01	34.41	7.52	32.00	7.03	30.73	6.79	29.59	6.53	27.05	6.07
11	9.8	36.95	7.61	34.41	7.17	32.00	6.75	30.73	6.53	29.59	6.32	27.05	5.91	
13	11.8	36.95	7.27	34.41	6.88	32.00	6.51	30.73	6.32	29.59	6.14	27.05	5.76	
15	13.7	36.95	7.01	34.41	6.67	32.00	6.34	30.73	6.18	29.59	6.00	27.05	5.67	

**Abbreviations:**

- CR: Combination ratio
- TC: Total capacity (kW)
- PI: Power input (compressor + outdoor fan motor) (kW)

**Notes:**

1. Shaded cells indicate rating condition.

Table continued on next page ...

Table 2-8.17: 14HP heating capacity (continued)

CR	Outdoor air temp.		Indoor air temp. °C DB											
			16.0		18.0		20.0		21.0		22.0		24.0	
	°C DB	°C WB	TC kW	PI kW	TC kW	PI kW	TC kW	PI kW	TC kW	PI kW	TC kW	PI kW	TC kW	PI kW
70%	-25	-25.4	32.05	11.52	30.10	10.59	28.06	9.71	26.92	9.27	25.90	8.84	23.75	8.00
	-19.8	-20	32.00	11.28	30.10	10.38	28.06	9.52	26.92	9.08	25.90	8.67	23.75	7.84
	-18.8	-19	32.25	11.16	30.10	10.27	28.06	9.41	26.92	8.99	25.90	8.59	23.75	7.78
	-16.7	-17	32.25	10.93	30.10	10.07	28.06	9.23	26.92	8.81	25.90	8.41	23.75	7.63
	-13.7	-15	32.25	10.72	30.10	9.87	28.06	9.04	26.92	8.65	25.90	8.25	23.75	7.48
	-11.8	-13	32.25	10.50	30.10	9.68	28.06	8.88	26.92	8.48	25.90	8.10	23.75	7.35
	-9.8	-11	32.25	10.30	30.10	9.49	28.06	8.71	26.92	8.33	25.90	7.95	23.75	7.21
	-9.5	-10	32.25	10.20	30.10	9.41	28.06	8.63	26.92	8.25	25.90	7.87	23.75	7.16
	-8.5	-9.1	32.25	10.11	30.10	9.33	28.06	8.56	26.92	8.18	25.90	7.82	23.75	7.09
	-7	-7.6	32.25	9.97	30.10	9.19	28.06	8.44	26.92	8.07	25.90	7.71	23.75	7.00
	-5	-5.6	32.25	9.66	30.10	8.92	28.06	8.21	26.92	7.86	25.90	7.51	23.75	6.83
	-3	-3.7	32.25	10.00	30.10	9.23	28.06	8.49	26.92	8.13	25.90	7.78	23.75	7.08
	0	-0.7	32.25	10.51	30.10	9.72	28.06	8.94	26.92	8.56	25.90	8.18	23.75	7.45
	3	2.2	32.25	9.15	30.10	8.48	28.06	7.82	26.92	7.49	25.90	7.17	23.75	6.55
	5	4.1	32.25	8.45	30.10	7.87	28.06	7.29	26.92	7.01	25.90	6.73	23.75	6.17
7	6	32.25	7.49	30.10	7.01	28.06	6.54	26.92	6.29	25.90	6.07	23.75	5.61	
9	7.9	32.25	7.17	30.10	6.74	28.06	6.32	26.92	7.47	25.90	5.90	23.75	5.50	
11	9.8	32.25	6.89	30.10	6.51	28.06	6.13	26.92	5.96	25.90	5.77	23.75	5.40	
13	11.8	32.25	6.63	30.10	6.31	28.06	5.97	26.92	5.81	25.90	5.65	23.75	5.32	
15	13.7	32.25	6.46	30.10	6.16	28.06	5.88	26.92	5.73	25.90	5.58	23.75	5.30	
60%	-25	-25.4	27.68	9.59	25.90	8.85	24.00	8.13	23.11	7.77	22.10	7.43	20.32	6.75
	-19.8	-20	27.68	9.39	25.90	8.67	24.00	7.97	23.11	7.62	22.10	7.28	20.32	6.62
	-18.8	-19	27.68	9.30	25.90	8.59	24.00	7.88	23.11	7.55	22.10	7.21	20.32	6.56
	-16.7	-17	27.68	9.11	25.90	8.41	24.00	7.74	23.11	7.40	22.10	7.08	20.32	6.44
	-13.7	-15	27.68	8.94	25.90	8.25	24.00	7.59	23.11	7.26	22.10	6.95	20.32	6.32
	-11.8	-13	27.68	8.76	25.90	8.10	24.00	7.45	23.11	7.13	22.10	6.82	20.32	6.21
	-9.8	-11	27.68	8.60	25.90	7.95	24.00	7.32	23.11	7.01	22.10	6.70	20.32	6.11
	-9.5	-10	27.68	8.52	25.90	7.87	24.00	7.25	23.11	6.94	22.10	6.64	20.32	6.05
	-8.5	-9.1	27.68	8.46	25.90	7.82	24.00	7.20	23.11	6.89	22.10	6.59	20.32	6.01
	-7	-7.6	27.68	8.33	25.90	7.71	24.00	7.10	23.11	6.81	22.10	6.51	20.32	5.93
	-5	-5.6	27.68	8.10	25.90	7.51	24.00	6.93	23.11	6.64	22.10	6.36	20.32	5.81
	-3	-3.7	27.68	8.40	25.90	7.78	24.00	7.17	23.11	6.89	22.10	6.59	20.32	6.02
	0	-0.7	27.68	8.83	25.90	8.18	24.00	7.56	23.11	7.25	22.10	6.94	20.32	6.35
	3	2.2	27.68	7.72	25.90	7.17	24.00	6.63	23.11	6.38	22.10	6.11	20.32	5.59
	5	4.1	27.68	7.21	25.90	6.73	24.00	6.25	23.11	6.02	22.10	5.80	20.32	5.34
7	6	27.68	6.47	25.90	6.07	24.00	5.67	23.11	5.47	22.10	5.28	20.32	4.91	
9	7.9	27.68	6.27	25.90	5.90	24.00	5.55	23.11	5.38	22.10	5.22	20.32	4.87	
11	9.8	27.68	6.08	25.90	5.77	24.00	5.46	23.11	5.30	22.10	5.15	20.32	4.84	
13	11.8	27.68	5.93	25.90	5.65	24.00	5.38	23.11	5.23	22.10	5.09	20.32	4.83	
15	13.7	27.68	5.84	25.90	5.58	24.00	5.34	23.11	5.22	22.10	5.09	20.32	4.84	
50%	-25	-25.4	23.11	7.75	21.59	7.19	20.06	6.63	19.17	6.94	18.41	6.09	16.89	5.56
	-19.8	-20	23.11	7.62	21.59	7.06	20.06	6.51	19.17	6.25	18.41	5.98	16.89	5.47
	-18.8	-19	23.11	7.55	21.59	7.00	20.06	6.46	19.17	7.53	18.41	5.93	16.89	5.42
	-16.7	-17	23.11	7.40	21.59	6.86	20.06	6.33	19.17	6.08	18.41	5.82	16.89	5.32
	-13.7	-15	23.11	7.26	21.59	6.74	20.06	6.23	19.17	5.97	18.41	5.73	16.89	5.23
	-11.8	-13	23.11	7.13	21.59	6.62	20.06	6.12	19.17	5.86	18.41	5.62	16.89	5.15
	-9.8	-11	23.11	7.01	21.59	6.51	20.06	6.01	19.17	5.77	18.41	5.53	16.89	5.05
	-9.5	-10	23.11	6.94	21.59	6.44	20.06	5.96	19.17	5.71	18.41	5.49	16.89	5.01
	-8.5	-9.1	23.11	6.89	21.59	6.40	20.06	5.92	19.17	5.67	18.41	5.45	16.89	4.99
	-7	-7.6	23.11	6.81	21.59	6.32	20.06	5.84	19.17	5.61	18.41	5.38	16.89	4.92
	-5	-5.6	23.11	6.64	21.59	6.17	20.06	5.71	19.17	5.50	18.41	5.27	16.89	4.84
	-3	-3.7	23.11	6.89	21.59	6.40	20.06	5.93	19.17	5.70	18.41	5.47	16.89	5.01
	0	-0.7	23.11	7.25	21.59	6.74	20.06	6.25	19.17	6.01	18.41	5.77	16.89	5.30
	3	2.2	23.11	6.38	21.59	5.94	20.06	5.51	19.17	5.31	18.41	5.09	16.89	4.69
	5	4.1	23.11	6.02	21.59	5.63	20.06	5.27	19.17	5.08	18.41	4.89	16.89	4.53
7	6	23.11	5.47	21.59	5.16	20.06	4.84	19.17	4.69	18.41	4.53	16.89	4.22	
9	7.9	23.11	5.38	21.59	5.09	20.06	4.81	19.17	4.68	18.41	4.53	16.89	4.26	
11	9.8	23.11	5.30	21.59	5.04	20.06	4.78	19.17	4.66	18.41	4.54	16.89	4.29	
13	11.8	23.11	5.23	21.59	5.00	20.06	4.78	19.17	4.66	18.41	4.54	16.89	4.34	
15	13.7	23.11	5.22	21.59	5.00	20.06	4.80	19.17	4.70	18.41	4.61	16.89	4.41	

Abbreviations:

- CR: Combination ratio
- TC: Total capacity (kW)
- PI: Power input (compressor + outdoor fan motor) (kW)

Notes:

1. Shaded cells indicate rating condition.

Table 2-8.18: 16HP heating capacity

CR	Outdoor air temp.		Indoor air temp. °C DB											
			16.0		18.0		20.0		21.0		22.0		24.0	
	°C DB	°C WB	TC kW	PI kW	TC kW	PI kW	TC kW	PI kW	TC kW	PI kW	TC kW	PI kW	TC kW	PI kW
130%	-25	-25.4	36.27	11.68	36.13	11.79	35.99	11.92	35.87	11.99	35.84	12.07	35.64	12.22
	-19.8	-20	36.90	11.70	36.76	11.82	36.61	11.94	36.47	12.01	36.47	12.09	36.33	12.25
	-18.8	-19	37.18	11.72	37.04	11.82	36.90	11.95	36.90	12.03	36.76	12.10	36.61	12.25
	-16.7	-17	37.75	11.73	37.61	11.85	37.47	11.97	37.47	12.04	37.33	12.12	37.18	12.28
	-13.7	-15	38.32	11.75	38.18	11.87	38.04	12.00	38.04	12.07	37.90	12.15	37.75	12.30
	-11.8	-13	38.89	11.78	38.75	11.90	38.61	12.01	38.61	12.09	38.47	12.16	38.47	12.33
	-9.8	-11	39.46	11.79	39.32	11.91	39.18	12.04	39.18	12.10	39.18	12.18	39.03	12.34
	-9.5	-10	39.75	11.81	39.60	11.91	39.60	12.04	39.46	12.12	39.46	12.19	39.32	12.36
	-8.5	-9.1	40.03	11.81	39.89	11.93	39.75	12.06	39.75	12.13	39.75	12.21	39.60	12.37
	-7	-7.6	40.46	11.82	40.32	11.94	40.32	12.07	40.17	12.15	40.17	12.22	40.03	12.38
	-5	-5.6	43.59	12.68	43.45	12.82	43.31	12.95	43.31	13.04	43.17	13.11	43.02	13.27
	-3	-3.7	44.16	13.35	44.02	13.50	43.88	13.65	43.88	13.72	43.74	13.81	43.59	13.99
	0	-0.7	45.02	14.42	44.88	14.58	44.73	14.74	44.73	14.82	44.59	14.91	44.59	15.10
	3	2.2	49.15	14.15	49.15	14.30	49.01	14.46	48.86	14.54	48.86	14.62	48.72	14.46
	5	4.1	61.83	17.50	61.69	17.40	58.41	15.92	56.13	15.19	53.85	14.48	49.43	13.08
	7	6	67.39	15.99	62.83	14.77	58.41	13.59	56.13	13.01	53.85	12.43	49.43	11.32
	9	7.9	67.39	14.59	62.83	13.56	58.41	12.53	56.13	12.04	53.85	11.55	49.43	10.58
11	9.8	67.39	13.38	62.83	12.47	58.41	11.61	56.13	11.20	53.85	10.77	49.43	9.92	
13	11.8	67.39	12.33	62.83	11.55	58.41	10.81	56.13	10.44	53.85	10.07	49.43	9.34	
15	13.7	67.39	11.52	62.83	10.86	58.41	10.20	56.13	9.88	53.85	9.55	49.43	8.91	
120%	-25	-25.4	36.38	12.20	36.24	12.32	75.88	12.46	36.10	12.53	35.94	12.62	35.84	12.78
	-19.8	-20	36.86	12.22	36.71	12.34	36.57	12.48	36.57	12.56	36.43	12.63	36.29	12.80
	-18.8	-19	37.14	12.23	37.00	12.36	36.86	12.49	36.86	12.56	36.71	12.65	36.57	12.80
	-16.7	-17	37.71	12.25	37.57	12.37	37.43	12.51	37.43	12.59	37.29	12.66	37.29	12.83
	-13.7	-15	38.29	12.26	38.14	12.40	38.00	12.54	38.00	12.60	38.00	12.69	37.86	12.85
	-11.8	-13	38.86	12.30	38.71	12.42	39.71	12.56	38.57	12.63	38.57	12.71	38.43	12.88
	-9.8	-11	39.43	12.31	39.29	12.43	39.29	12.57	39.14	12.65	39.14	12.72	39.00	12.89
	-9.5	-10	39.71	12.33	39.57	12.45	39.57	12.59	39.43	12.66	39.43	12.74	39.29	12.91
	-8.5	-9.1	40.00	12.33	39.86	12.46	39.86	12.60	39.71	12.68	39.71	12.75	39.57	12.91
	-7	-7.6	40.43	12.34	40.29	12.48	40.29	12.62	40.14	12.69	40.14	12.77	40.00	12.92
	-5	-5.6	43.57	13.24	43.43	13.38	43.29	13.54	43.29	13.61	43.29	13.69	43.14	13.86
	-3	-3.7	44.14	13.95	44.00	14.10	43.86	14.26	43.86	14.33	43.71	14.42	43.71	14.59
	0	-0.7	45.00	15.07	44.86	15.22	44.71	15.39	44.71	15.48	44.71	15.57	44.57	15.66
	3	2.2	49.14	14.79	49.14	14.93	49.00	15.10	48.86	15.17	48.86	15.07	45.71	13.57
	5	4.1	61.86	17.73	58.14	16.31	54.00	14.94	51.86	14.27	49.86	13.61	45.71	12.33
	7	6	62.29	15.07	58.14	13.93	54.00	12.83	51.86	12.30	49.86	11.77	45.71	10.73
	9	7.9	62.29	13.83	58.14	12.86	54.00	11.93	51.86	11.45	49.86	10.99	45.71	10.09
11	9.8	62.29	12.75	58.14	11.93	54.00	11.12	51.86	10.72	49.86	10.32	45.71	9.52	
13	11.8	62.29	11.81	58.14	11.10	54.00	10.40	51.86	10.04	49.86	9.71	45.71	9.02	
15	13.7	62.29	11.10	58.14	10.49	54.00	9.86	51.86	9.55	49.86	9.26	45.71	8.67	
110%	-25	-25.4	36.18	12.52	36.02	12.66	35.85	12.79	35.90	12.87	35.77	12.95	35.76	13.11
	-19.8	-20	36.71	12.54	36.57	12.68	36.43	12.82	36.43	12.88	36.29	12.98	36.29	13.13
	-18.8	-19	37.00	12.56	36.86	12.68	36.71	12.82	36.71	12.90	36.57	12.98	36.57	13.15
	-16.7	-17	37.57	12.57	37.43	12.71	37.29	12.85	37.29	12.93	37.29	13.01	37.14	13.16
	-13.7	-15	38.14	12.60	38.00	12.73	37.86	12.87	37.86	12.95	37.86	13.02	37.71	13.19
	-11.8	-13	38.71	12.62	38.57	12.76	38.57	12.90	38.43	12.98	38.43	13.05	38.29	13.21
	-9.8	-11	39.29	12.65	39.14	12.77	39.14	12.91	39.00	12.99	39.00	13.07	38.86	13.24
	-9.5	-10	39.57	12.65	39.57	12.79	39.43	12.93	39.29	13.01	39.29	13.08	39.14	13.24
	-8.5	-9.1	39.86	12.67	39.71	12.79	39.71	12.95	39.57	13.01	39.57	13.08	39.43	13.26
	-7	-7.6	40.29	12.68	40.14	12.81	40.14	12.96	40.00	13.02	40.00	13.10	39.86	13.27
	-5	-5.6	43.43	13.61	43.29	13.75	43.14	13.89	43.14	13.97	43.14	14.05	41.86	13.16
	-3	-3.7	44.00	14.33	43.86	14.48	43.71	14.64	43.71	14.71	43.71	14.79	41.86	13.61
	0	-0.7	44.86	15.48	44.71	15.63	44.71	15.80	44.57	15.89	44.57	15.88	41.86	14.30
	3	2.2	49.00	15.18	49.00	15.34	48.86	15.13	47.57	14.44	45.71	13.75	41.86	12.40
	5	4.1	57.14	16.19	53.29	14.92	49.57	13.69	47.57	14.64	45.71	12.50	41.86	11.35
	7	6	57.14	13.85	53.29	12.84	49.57	11.84	47.57	11.36	45.71	10.88	41.86	9.95
	9	7.9	57.14	12.81	53.29	11.92	49.57	11.07	47.57	10.65	45.71	10.23	41.86	9.42
11	9.8	57.14	11.89	53.29	11.13	49.57	10.38	47.57	10.03	45.71	9.65	41.86	8.94	
13	11.8	57.14	11.07	53.29	10.42	49.57	9.78	47.57	9.47	45.71	9.14	41.86	8.52	
15	13.7	57.14	10.48	53.29	9.90	49.57	9.33	47.57	9.05	45.71	8.79	41.86	8.23	

**Abbreviations:**

CR: Combination ratio

TC: Total capacity (kW)

PI: Power input (compressor + outdoor fan motor) (kW)

**Notes:**

1. Shaded cells indicate rating condition.

Table continued on next page ...

Table 2-8.18: 16HP heating capacity (continued)

CR	Outdoor air temp.		Indoor air temp. °C DB											
			16.0		18.0		20.0		21.0		22.0		24.0	
	°C DB	°C WB	TC kW	PI kW	TC kW	PI kW	TC kW	PI kW	TC kW	PI kW	TC kW	PI kW	TC kW	PI kW
100%	-25	-25.4	36.57	11.66	36.43	11.78	36.29	11.92	36.29	12.00	36.29	12.08	36.14	12.25
	-19.8	-20	36.86	11.66	36.71	11.80	36.57	11.94	36.57	12.01	36.57	12.09	36.43	12.25
	-18.8	-19	37.43	11.69	37.29	11.83	37.14	11.97	37.14	12.03	37.14	12.11	37.00	12.26
	-16.7	-17	38.00	11.70	37.86	11.84	37.86	11.98	37.71	12.06	37.71	12.14	37.57	11.98
	-13.7	-15	38.57	11.73	38.43	11.86	38.43	12.01	38.29	12.08	38.29	12.15	38.14	11.72
	-11.8	-13	39.14	11.75	39.00	11.89	39.00	12.03	38.86	12.11	38.86	12.17	38.14	11.47
	-9.8	-11	39.43	11.77	39.43	11.91	39.29	12.04	39.29	12.11	39.14	12.18	38.14	11.35
	-9.5	-10	39.71	11.78	39.57	11.91	39.57	12.04	39.43	12.12	39.43	12.20	38.14	11.24
	-8.5	-9.1	40.14	11.80	40.14	11.92	40.00	12.06	39.86	12.14	39.86	12.22	38.14	11.07
	-7	-7.6	43.29	11.81	43.14	11.93	43.14	12.07	43.00	12.62	41.57	11.95	38.14	10.68
	-5	-5.6	43.86	11.83	43.71	11.93	43.71	12.07	43.29	13.08	41.57	12.40	38.14	11.08
	-3	-3.7	44.71	11.84	44.57	11.94	44.57	11.64	43.29	12.25	41.57	13.08	38.14	11.70
	0	-0.7	45.86	11.86	48.43	11.95	45.00	11.29	43.29	12.93	41.57	12.28	38.14	10.93
	3	2.2	48.86	12.67	48.43	11.63	45.00	10.93	43.29	11.81	41.57	11.22	38.14	10.04
	5	4.1	51.86	11.96	48.43	12.08	45.00	11.44	43.29	11.77	41.57	11.24	38.14	10.23
	7	6	51.86	12.31	48.43	11.46	45.00	10.71	43.29	10.29	41.57	9.86	38.14	9.03
9	7.9	51.86	11.61	48.43	10.85	45.00	10.09	43.29	9.72	41.57	9.34	38.14	8.61	
11	9.8	51.86	10.87	48.43	10.18	45.00	9.53	43.29	9.20	41.57	8.88	38.14	8.24	
13	11.8	51.86	10.18	48.43	9.61	45.00	9.03	43.29	8.75	41.57	8.47	38.14	7.92	
15	13.7	51.86	9.69	48.43	9.19	45.00	8.68	43.29	8.43	41.57	8.18	38.14	7.68	
90%	-25	-25.4	35.76	12.91	35.57	13.03	35.46	13.17	35.43	13.44	35.99	13.67	34.29	12.37
	-19.8	-20	36.43	12.93	36.29	13.05	36.14	13.19	36.14	13.27	36.14	13.35	34.29	12.11
	-18.8	-19	36.71	12.95	36.57	13.07	36.43	13.21	36.43	13.29	36.43	13.30	34.29	11.98
	-16.7	-17	37.29	12.96	37.14	13.08	37.14	13.22	37.00	13.30	37.00	13.04	34.29	11.73
	-13.7	-15	37.86	12.98	37.71	13.12	37.71	13.26	37.57	13.32	37.43	12.77	34.29	11.50
	-11.8	-13	38.43	13.01	38.29	13.13	38.29	13.27	38.14	13.15	37.43	12.51	34.29	11.28
	-9.8	-11	39.00	13.02	39.00	13.16	38.86	13.29	38.86	12.88	37.43	12.28	34.29	11.07
	-9.5	-10	39.29	13.04	39.29	13.16	39.14	13.30	39.00	12.76	37.43	12.15	34.29	10.96
	-8.5	-9.1	39.57	13.05	39.43	13.18	39.43	13.27	39.00	12.65	37.43	12.04	34.29	10.87
	-7	-7.6	40.00	13.07	40.00	13.19	39.86	13.08	39.00	12.48	37.43	11.87	34.29	10.71
	-5	-5.6	43.14	13.09	43.00	13.21	40.57	12.63	39.00	12.06	37.43	11.50	34.29	10.40
	-3	-3.7	43.71	13.11	43.57	13.22	40.57	13.07	39.00	12.48	37.43	11.91	34.29	10.76
	0	-0.7	44.57	13.13	43.57	13.24	40.57	13.74	39.00	13.12	37.43	12.51	34.29	11.32
	3	2.2	46.71	13.15	43.57	13.01	40.57	11.94	39.00	11.41	37.43	10.88	34.29	9.87
	5	4.1	46.71	12.82	43.57	11.87	40.57	10.94	39.00	10.48	37.43	10.03	34.29	9.16
	7	6	46.71	11.14	43.57	10.37	40.57	9.61	39.00	9.24	37.43	8.88	34.29	8.15
9	7.9	46.71	10.46	43.57	9.79	40.57	9.13	39.00	8.80	37.43	8.47	34.29	7.84	
11	9.8	46.71	9.86	43.57	9.27	40.57	8.69	39.00	8.40	37.43	8.12	34.29	7.56	
13	11.8	46.71	9.31	43.57	8.80	40.57	8.30	39.00	8.06	37.43	7.81	34.29	7.31	
15	13.7	46.71	8.93	43.57	8.47	40.57	8.02	39.00	7.81	37.43	7.59	34.29	7.14	
80%	-25	-25.4	35.62	12.96	35.48	13.31	36.00	12.95	34.57	12.36	33.29	11.77	30.43	10.62
	-19.8	-20	36.29	12.98	36.14	13.12	36.00	12.68	34.57	12.09	33.29	11.53	30.43	10.41
	-18.8	-19	36.57	13.00	36.43	13.12	36.00	12.55	34.57	11.97	33.29	11.40	30.43	10.30
	-16.7	-17	37.14	13.01	37.00	13.15	36.00	12.29	34.57	11.73	33.29	11.17	30.43	10.09
	-13.7	-15	37.71	13.04	37.57	13.17	36.00	12.05	34.57	11.50	33.29	10.96	30.43	9.90
	-11.8	-13	38.29	13.06	38.14	12.92	36.00	11.80	34.57	11.27	33.29	10.74	30.43	9.72
	-9.8	-11	38.86	13.07	38.71	12.66	36.00	11.59	34.57	11.05	33.29	10.55	30.43	9.53
	-9.5	-10	39.14	13.09	38.71	12.54	36.00	11.46	34.57	10.94	33.29	10.44	30.43	9.44
	-8.5	-9.1	39.43	13.10	38.71	12.43	36.00	11.37	34.57	10.85	33.29	10.35	30.43	9.37
	-7	-7.6	39.86	13.12	38.71	12.25	36.00	11.22	34.57	10.71	33.29	10.21	30.43	9.24
	-5	-5.6	41.57	12.86	38.71	11.85	36.00	10.87	34.57	10.38	33.29	9.92	30.43	8.98
	-3	-3.7	41.57	13.30	38.71	12.26	36.00	11.25	34.57	10.74	33.29	10.25	30.43	9.30
	0	-0.7	41.57	13.98	38.71	12.89	36.00	11.82	34.57	11.30	33.29	10.79	30.43	9.79
	3	2.2	41.57	12.14	38.71	11.20	36.00	10.30	34.57	9.86	33.29	9.43	30.43	8.57
	5	4.1	41.57	11.10	38.71	10.30	36.00	9.52	34.57	9.14	33.29	8.75	30.43	8.02
	7	6	41.57	9.73	38.71	9.09	36.00	8.45	34.57	8.12	33.29	7.82	30.43	7.20
9	7.9	41.57	9.23	38.71	8.66	36.00	8.09	34.57	7.82	33.29	7.53	30.43	6.99	
11	9.8	41.57	8.77	38.71	8.26	36.00	7.77	34.57	7.53	33.29	7.28	30.43	6.81	
13	11.8	41.57	8.37	38.71	7.92	36.00	7.50	34.57	7.28	33.29	7.07	30.43	6.64	
15	13.7	41.57	8.08	38.71	7.68	36.00	7.30	34.57	7.11	33.29	6.91	30.43	6.53	

**Abbreviations:**

- CR: Combination ratio
- TC: Total capacity (kW)
- PI: Power input (compressor + outdoor fan motor) (kW)

**Notes:**

1. Shaded cells indicate rating condition.

Table continued on next page ...

Table 2-8.18: 16HP heating capacity (continued)

CR	Outdoor air temp.		Indoor air temp. °C DB											
			16.0		18.0		20.0		21.0		22.0		24.0	
	°C DB	°C WB	TC kW	PI kW	TC kW	PI kW	TC kW	PI kW	TC kW	PI kW	TC kW	PI kW	TC kW	PI kW
70%	-25	-25.4	36.06	13.27	33.86	12.20	31.57	11.18	30.29	10.67	29.14	10.18	26.71	9.22
	-19.8	-20	36.00	12.99	33.86	11.95	31.57	10.96	30.29	10.46	29.14	9.98	26.71	9.03
	-18.8	-19	36.29	12.85	33.86	11.83	31.57	10.83	30.29	10.35	29.14	9.89	26.71	8.96
	-16.7	-17	36.29	12.59	33.86	11.59	31.57	10.63	30.29	10.15	29.14	9.69	26.71	8.79
	-13.7	-15	36.29	12.34	33.86	11.36	31.57	10.42	30.29	9.96	29.14	9.50	26.71	8.61
	-11.8	-13	36.29	12.09	33.86	11.14	31.57	10.23	30.29	9.76	29.14	9.33	26.71	8.46
	-9.8	-11	36.29	11.86	33.86	10.93	31.57	10.03	30.29	9.59	29.14	9.16	26.71	8.30
	-9.5	-10	36.29	11.75	33.86	10.83	31.57	9.93	30.29	9.50	29.14	9.06	26.71	8.24
	-8.5	-9.1	36.29	11.64	33.86	10.74	31.57	9.86	30.29	9.42	29.14	9.00	26.71	8.16
	-7	-7.6	36.29	11.49	33.86	10.59	31.57	9.72	30.29	9.30	29.14	8.88	26.71	8.06
	-5	-5.6	36.29	11.13	33.86	10.28	31.57	9.45	30.29	9.05	29.14	8.65	26.71	7.87
	-3	-3.7	36.29	11.52	33.86	10.63	31.57	9.78	30.29	9.36	29.14	8.96	26.71	8.15
	0	-0.7	36.29	12.11	33.86	11.19	31.57	10.29	30.29	9.86	29.14	9.42	26.71	8.58
	3	2.2	36.29	10.54	33.86	9.76	31.57	9.00	30.29	8.63	29.14	8.26	26.71	7.54
	5	4.1	36.29	9.73	33.86	9.06	31.57	8.40	30.29	8.07	29.14	7.75	26.71	7.11
	7	6	36.29	8.63	33.86	8.07	31.57	7.53	30.29	7.25	29.14	6.98	26.71	6.46
9	7.9	36.29	8.26	33.86	7.76	31.57	7.28	30.29	8.60	29.14	6.80	26.71	6.33	
11	9.8	36.29	7.93	33.86	7.50	31.57	7.06	30.29	6.86	29.14	6.64	26.71	6.22	
13	11.8	36.29	7.64	33.86	7.26	31.57	6.88	30.29	6.69	29.14	6.50	26.71	6.13	
15	13.7	36.29	7.43	33.86	7.09	31.57	6.77	30.29	6.60	29.14	6.43	26.71	6.10	
60%	-25	-25.4	31.14	11.05	29.14	10.19	27.00	9.36	26.00	8.95	24.86	8.55	22.86	7.77
	-19.8	-20	31.14	10.82	29.14	9.98	27.00	9.17	26.00	8.77	24.86	8.38	22.86	7.62
	-18.8	-19	31.14	10.71	29.14	9.89	27.00	9.08	26.00	8.69	24.86	8.30	22.86	7.56
	-16.7	-17	31.14	10.49	29.14	9.69	27.00	8.91	26.00	8.52	24.86	8.15	22.86	7.42
	-13.7	-15	31.14	10.29	29.14	9.50	27.00	8.74	26.00	8.37	24.86	8.01	22.86	7.28
	-11.8	-13	31.14	10.09	29.14	9.33	27.00	8.58	26.00	8.21	24.86	7.85	22.86	7.16
	-9.8	-11	31.14	9.90	29.14	9.16	27.00	8.43	26.00	8.07	24.86	7.71	22.86	7.03
	-9.5	-10	31.14	9.81	29.14	9.06	27.00	8.35	26.00	7.99	24.86	7.65	22.86	6.97
	-8.5	-9.1	31.14	9.74	29.14	9.00	27.00	8.29	26.00	7.93	24.86	7.59	22.86	6.92
	-7	-7.6	31.14	9.59	29.14	8.88	27.00	8.18	26.00	7.84	24.86	7.50	22.86	6.83
	-5	-5.6	31.14	9.33	29.14	8.65	27.00	7.98	26.00	7.65	24.86	7.33	22.86	6.69
	-3	-3.7	31.14	9.67	29.14	8.96	27.00	8.26	26.00	7.93	24.86	7.59	22.86	6.94
	0	-0.7	31.14	10.17	29.14	9.42	27.00	8.71	26.00	8.35	24.86	7.99	22.86	7.31
	3	2.2	31.14	8.89	29.14	8.26	27.00	7.64	26.00	7.34	24.86	7.03	22.86	6.44
	5	4.1	31.14	8.30	29.14	7.75	27.00	7.20	26.00	6.94	24.86	6.67	22.86	6.15
	7	6	31.14	7.45	29.14	6.98	27.00	6.53	26.00	6.30	24.86	6.08	22.86	5.65
9	7.9	31.14	7.22	29.14	6.80	27.00	6.39	26.00	6.19	24.86	6.01	22.86	5.60	
11	9.8	31.14	7.00	29.14	6.64	27.00	6.29	26.00	6.10	24.86	5.93	22.86	5.57	
13	11.8	31.14	6.83	29.14	6.50	27.00	6.19	26.00	6.02	24.86	5.87	22.86	5.56	
15	13.7	31.14	6.72	29.14	6.43	27.00	6.15	26.00	6.01	24.86	5.87	22.86	5.57	
50%	-25	-25.4	26.00	8.93	24.29	8.28	22.57	7.63	21.57	7.99	20.71	7.01	19.00	6.41
	-19.8	-20	26.00	8.77	24.29	8.13	22.57	7.50	21.57	7.20	20.71	6.89	19.00	6.30
	-18.8	-19	26.00	8.69	24.29	8.06	22.57	7.43	21.57	8.68	20.71	6.83	19.00	6.24
	-16.7	-17	26.00	8.52	24.29	7.90	22.57	7.30	21.57	7.00	20.71	6.71	19.00	6.13
	-13.7	-15	26.00	8.37	24.29	7.76	22.57	7.17	21.57	6.88	20.71	6.60	19.00	6.02
	-11.8	-13	26.00	8.21	24.29	7.62	22.57	7.05	21.57	6.75	20.71	6.47	19.00	5.93
	-9.8	-11	26.00	8.07	24.29	7.50	22.57	6.92	21.57	6.64	20.71	6.36	19.00	5.82
	-9.5	-10	26.00	7.99	24.29	7.42	22.57	6.86	21.57	6.58	20.71	6.32	19.00	5.77
	-8.5	-9.1	26.00	7.93	24.29	7.37	22.57	6.81	21.57	6.53	20.71	6.27	19.00	5.74
	-7	-7.6	26.00	7.84	24.29	7.28	22.57	6.72	21.57	6.46	20.71	6.19	19.00	5.67
	-5	-5.6	26.00	7.65	24.29	7.11	22.57	6.58	21.57	6.33	20.71	6.07	19.00	5.57
	-3	-3.7	26.00	7.93	24.29	7.37	22.57	6.83	21.57	6.57	20.71	6.30	19.00	5.77
	0	-0.7	26.00	8.35	24.29	7.76	22.57	7.20	21.57	6.92	20.71	6.64	19.00	6.10
	3	2.2	26.00	7.34	24.29	6.85	22.57	6.35	21.57	6.12	20.71	5.87	19.00	5.40
	5	4.1	26.00	6.94	24.29	6.49	22.57	6.07	21.57	5.85	20.71	5.63	19.00	5.22
	7	6	26.00	6.30	24.29	5.94	22.57	5.57	21.57	5.40	20.71	5.22	19.00	4.86
9	7.9	26.00	6.19	24.29	5.87	22.57	5.54	21.57	5.39	20.71	5.22	19.00	4.90	
11	9.8	26.00	6.10	24.29	5.81	22.57	5.51	21.57	5.37	20.71	5.23	19.00	4.94	
13	11.8	26.00	6.02	24.29	5.76	22.57	5.51	21.57	5.37	20.71	5.23	19.00	5.00	
15	13.7	26.00	6.01	24.29	5.76	22.57	5.53	21.57	5.42	20.71	5.31	19.00	5.08	

**Abbreviations:**

CR: Combination ratio

TC: Total capacity (kW)

PI: Power input (compressor + outdoor fan motor) (kW)

**Notes:**

1. Shaded cells indicate rating condition.



Table 2-8.19: 18HP heating capacity

CR	Outdoor air temp.		Indoor air temp. °C DB											
			16.0		18.0		20.0		21.0		22.0		24.0	
	°C DB	°C WB	TC	PI	TC	PI	TC	PI	TC	PI	TC	PI	TC	PI
130%	-25	-25.4	40.92	13.31	40.76	13.43	40.60	13.58	40.47	13.66	40.44	13.74	40.22	13.92
	-19.8	-20	41.63	13.33	41.47	13.47	41.31	13.60	41.15	13.69	41.15	13.77	40.99	13.96
	-18.8	-19	41.95	13.35	41.79	13.47	41.63	13.62	41.63	13.70	41.47	13.79	41.31	13.96
	-16.7	-17	42.59	13.36	42.43	13.50	42.27	13.63	42.27	13.72	42.11	13.80	41.95	13.99
	-13.7	-15	43.24	13.38	43.08	13.52	42.92	13.67	42.92	13.75	42.75	13.84	42.59	14.01
	-11.8	-13	43.88	13.42	43.72	13.55	43.56	13.69	43.56	13.77	43.40	13.85	43.40	14.04
	-9.8	-11	44.52	13.43	44.36	13.57	44.20	13.72	44.20	13.79	44.20	13.87	44.04	14.06
	-9.5	-10	44.84	13.45	44.68	13.57	44.68	13.72	44.52	13.80	44.52	13.89	44.36	14.07
	-8.5	-9.1	45.17	13.45	45.00	13.58	44.84	13.74	44.84	13.82	44.84	13.91	44.68	14.09
	-7	-7.6	45.65	13.47	45.49	13.60	45.49	13.75	45.33	13.84	45.33	13.92	45.17	14.11
	-5	-5.6	49.18	14.45	49.02	14.60	48.86	14.75	48.86	14.85	48.70	14.94	48.54	15.12
	-3	-3.7	49.83	15.21	49.67	15.38	49.51	15.54	49.51	15.63	49.34	15.73	49.18	15.93
	0	-0.7	50.79	16.42	50.63	16.61	50.47	16.79	50.47	16.88	50.31	16.98	50.31	17.20
	3	2.2	55.45	16.12	55.45	16.29	55.29	16.47	55.13	16.56	55.13	16.66	54.97	16.47
	5	4.1	69.76	19.94	69.60	19.82	65.90	18.13	63.33	17.30	60.76	16.49	55.77	14.90
	7	6	76.03	18.21	70.88	16.83	65.90	15.48	63.33	14.82	60.76	14.16	55.77	12.89
9	7.9	76.03	16.63	70.88	15.44	65.90	14.28	63.33	13.72	60.76	13.16	55.77	12.05	
11	9.8	76.03	15.24	70.88	14.21	65.90	13.23	63.33	12.76	60.76	12.27	55.77	11.30	
13	11.8	76.03	14.04	70.88	13.16	65.90	12.32	63.33	11.89	60.76	11.47	55.77	10.64	
15	13.7	76.03	13.13	70.88	12.37	65.90	11.62	63.33	11.25	60.76	10.88	55.77	10.15	
120%	-25	-25.4	40.70	13.57	40.54	13.70	84.90	13.85	40.38	13.93	40.21	14.02	40.10	14.21
	-19.8	-20	41.24	13.58	41.08	13.72	40.92	13.87	40.92	13.96	40.76	14.04	40.60	14.23
	-18.8	-19	41.56	13.60	41.40	13.74	41.24	13.89	41.24	13.96	41.08	14.06	40.92	14.23
	-16.7	-17	42.20	13.62	42.04	13.75	41.88	13.91	41.88	13.99	41.72	14.08	41.72	14.26
	-13.7	-15	42.84	13.63	42.68	13.79	42.52	13.94	42.52	14.01	42.52	14.11	42.36	14.28
	-11.8	-13	43.47	13.67	43.31	13.80	44.43	13.96	43.16	14.04	43.16	14.13	43.00	14.31
	-9.8	-11	44.11	13.68	43.95	13.82	43.95	13.97	43.79	14.06	43.79	14.14	43.63	14.33
	-9.5	-10	44.43	13.70	44.27	13.84	44.27	13.99	44.11	14.08	44.11	14.16	43.95	14.35
	-8.5	-9.1	44.75	13.70	44.59	13.85	44.59	14.01	44.43	14.09	44.43	14.18	44.27	14.35
	-7	-7.6	45.23	13.72	45.07	13.87	45.07	14.02	44.91	14.11	44.91	14.19	44.75	14.36
	-5	-5.6	48.75	14.72	48.59	14.88	48.43	15.05	48.43	15.13	48.43	15.22	48.27	15.40
	-3	-3.7	49.39	15.51	49.23	15.68	49.07	15.85	49.07	15.93	48.91	16.03	48.91	16.22
	0	-0.7	50.35	16.75	50.19	16.92	50.03	17.11	50.03	17.21	50.03	17.31	49.87	17.41
	3	2.2	54.98	16.44	54.98	16.59	54.82	16.78	54.66	16.87	54.66	16.75	51.15	15.08
	5	4.1	69.21	19.71	65.05	18.13	60.42	16.61	58.02	15.86	55.78	15.13	51.15	13.70
	7	6	69.69	16.75	65.05	15.49	60.42	14.26	58.02	13.67	55.78	13.09	51.15	11.93
9	7.9	69.69	15.37	65.05	14.30	60.42	13.26	58.02	12.73	55.78	12.22	51.15	11.22	
11	9.8	69.69	14.18	65.05	13.26	60.42	12.36	58.02	11.91	55.78	11.47	51.15	10.59	
13	11.8	69.69	13.12	65.05	12.34	60.42	11.56	58.02	11.17	55.78	10.79	51.15	10.02	
15	13.7	69.69	12.34	65.05	11.66	60.42	10.96	58.02	10.62	55.78	10.30	51.15	9.63	
110%	-25	-25.4	40.20	14.26	40.02	14.42	39.83	14.57	39.89	14.66	39.74	14.75	39.73	14.94
	-19.8	-20	40.79	14.29	40.63	14.45	40.48	14.60	40.48	14.68	40.32	14.78	40.32	14.96
	-18.8	-19	41.11	14.30	40.95	14.45	40.79	14.60	40.79	14.69	40.63	14.78	40.63	14.98
	-16.7	-17	41.75	14.32	41.59	14.48	41.43	14.64	41.43	14.73	41.43	14.82	41.27	14.99
	-13.7	-15	42.38	14.36	42.22	14.50	42.06	14.66	42.06	14.75	42.06	14.83	41.90	15.03
	-11.8	-13	43.02	14.37	42.86	14.53	42.86	14.69	42.70	14.78	42.70	14.87	42.54	15.05
	-9.8	-11	43.65	14.41	43.49	14.55	43.49	14.71	43.33	14.80	43.33	14.89	43.17	15.08
	-9.5	-10	43.97	14.41	43.97	14.57	43.81	14.73	43.65	14.82	43.65	14.91	43.49	15.08
	-8.5	-9.1	44.29	14.43	44.13	14.57	44.13	14.75	43.97	14.82	43.97	14.91	43.81	15.10
	-7	-7.6	44.76	14.45	44.60	14.59	44.60	14.76	44.44	14.83	44.44	14.92	44.29	15.12
	-5	-5.6	48.25	15.51	48.10	15.67	47.94	15.82	47.94	15.91	47.94	16.00	46.51	14.99
	-3	-3.7	48.89	16.32	48.73	16.50	48.57	16.67	48.57	16.76	48.57	16.85	46.51	15.51
	0	-0.7	49.84	17.63	49.68	17.80	49.68	18.00	49.52	18.11	49.52	18.09	46.51	16.28
	3	2.2	54.44	17.29	54.44	17.47	54.29	17.24	52.86	16.44	50.79	15.67	46.51	14.13
	5	4.1	63.49	18.44	59.21	16.99	55.08	15.59	52.86	16.67	50.79	14.23	46.51	12.92
	7	6	63.49	15.77	59.21	14.62	55.08	13.49	52.86	12.94	50.79	12.39	46.51	11.33
9	7.9	63.49	14.59	59.21	13.58	55.08	12.61	52.86	12.13	50.79	11.65	46.51	10.73	
11	9.8	63.49	13.54	59.21	12.68	55.08	11.83	52.86	11.42	50.79	11.00	46.51	10.18	
13	11.8	63.49	12.61	59.21	11.86	55.08	11.14	52.86	10.79	50.79	10.41	46.51	9.71	
15	13.7	63.49	11.93	59.21	11.28	55.08	10.63	52.86	10.31	50.79	10.01	46.51	9.37	

Abbreviations:

- CR: Combination ratio
- TC: Total capacity (kW)
- PI: Power input (compressor + outdoor fan motor) (kW)

Notes:

1. Shaded cells indicate rating condition.

Table continued on next page ...

Table 2-8.19: 18HP heating capacity (continued)

CR	Outdoor air temp.		Indoor air temp. °C DB											
			16.0		18.0		20.0		21.0		22.0		24.0	
	°C DB	°C WB	TC	PI	TC	PI	TC	PI	TC	PI	TC	PI	TC	PI
100%	-25	-25.4	40.63	14.50	40.48	14.64	40.32	14.80	40.32	14.89	40.32	14.98	40.16	15.17
	-19.8	-20	40.95	14.50	40.79	14.66	40.63	14.82	40.63	14.91	40.63	14.99	40.48	15.17
	-18.8	-19	41.59	14.53	41.43	14.69	41.27	14.85	41.27	14.92	41.27	15.01	41.11	15.19
	-16.7	-17	42.22	14.55	42.06	14.71	42.06	14.87	41.90	14.96	41.90	15.05	41.75	14.87
	-13.7	-15	42.86	14.59	42.70	14.73	42.70	14.91	42.54	14.98	42.54	15.06	42.38	14.57
	-11.8	-13	43.49	14.60	43.33	14.76	43.33	14.92	43.17	15.01	43.17	15.08	42.38	14.29
	-9.8	-11	43.81	14.62	43.81	14.78	43.65	14.94	43.65	15.01	43.49	15.10	42.38	14.14
	-9.5	-10	44.13	14.64	43.97	14.78	43.97	14.94	43.81	15.03	43.81	15.12	42.38	14.02
	-8.5	-9.1	44.60	14.66	44.60	14.80	44.44	14.96	44.29	15.05	44.29	15.14	42.38	13.83
	-7	-7.6	48.10	14.68	47.94	14.81	47.94	14.96	47.78	15.59	46.19	14.83	42.38	13.38
	-5	-5.6	48.73	14.69	48.57	14.81	48.57	14.97	48.10	16.13	46.19	15.35	42.38	13.84
	-3	-3.7	49.68	14.71	49.52	14.82	49.52	14.48	48.10	15.17	46.19	16.13	42.38	14.55
	0	-0.7	50.95	14.73	53.81	14.83	50.00	14.08	48.10	15.95	46.19	15.21	42.38	13.67
	3	2.2	54.29	15.65	53.81	14.46	50.00	13.67	48.10	14.68	46.19	14.00	42.38	12.66
	5	4.1	57.62	14.84	53.81	13.76	50.00	13.03	48.10	13.40	46.19	12.80	42.38	11.65
	7	6	57.62	14.03	53.81	13.05	50.00	12.20	48.10	11.72	46.19	11.23	42.38	10.29
9	7.9	57.62	13.23	53.81	12.36	50.00	11.49	48.10	11.07	46.19	10.64	42.38	9.81	
11	9.8	57.62	12.38	53.81	11.60	50.00	10.86	48.10	10.48	46.19	10.11	42.38	9.39	
13	11.8	57.62	11.60	53.81	10.94	50.00	10.29	48.10	9.97	46.19	9.65	42.38	9.02	
15	13.7	57.62	11.03	53.81	10.47	50.00	9.88	48.10	9.60	46.19	9.32	42.38	8.75	
90%	-25	-25.4	39.74	14.70	39.52	14.84	39.40	15.00	39.37	15.30	39.99	15.58	38.10	14.09
	-19.8	-20	40.48	14.73	40.32	14.87	40.16	15.03	40.16	15.12	40.16	15.21	38.10	13.79
	-18.8	-19	40.79	14.75	40.63	14.89	40.48	15.05	40.48	15.14	40.48	15.15	38.10	13.65
	-16.7	-17	41.43	14.76	41.27	14.91	41.27	15.06	41.11	15.15	41.11	14.85	38.10	13.37
	-13.7	-15	42.06	14.78	41.90	14.94	41.90	15.10	41.75	15.17	41.59	14.55	38.10	13.10
	-11.8	-13	42.70	14.82	42.54	14.96	42.54	15.12	42.38	14.98	41.59	14.25	38.10	12.85
	-9.8	-11	43.33	14.83	43.33	14.99	43.17	15.14	43.17	14.68	41.59	13.99	38.10	12.61
	-9.5	-10	43.65	14.85	43.65	14.99	43.49	15.15	43.33	14.53	41.59	13.84	38.10	12.48
	-8.5	-9.1	43.97	14.87	43.81	15.01	43.81	15.12	43.33	14.41	41.59	13.72	38.10	12.38
	-7	-7.6	44.44	14.89	44.44	15.03	44.29	14.91	43.33	14.22	41.59	13.53	38.10	12.20
	-5	-5.6	47.94	14.91	47.78	15.04	45.08	14.39	43.33	13.74	41.59	13.10	38.10	11.85
	-3	-3.7	48.57	14.93	48.41	15.06	45.08	14.89	43.33	14.22	41.59	13.56	38.10	12.25
	0	-0.7	49.52	14.95	48.41	15.08	45.08	15.65	43.33	14.94	41.59	14.25	38.10	12.89
	3	2.2	51.90	14.98	48.41	14.82	45.08	13.60	43.33	13.00	41.59	12.39	38.10	11.25
	5	4.1	51.90	14.60	48.41	13.53	45.08	12.47	43.33	11.93	41.59	11.42	38.10	10.43
	7	6	51.90	12.70	48.41	11.81	45.08	10.94	43.33	10.52	41.59	10.11	38.10	9.28
9	7.9	51.90	11.92	48.41	11.16	45.08	10.40	43.33	10.03	41.59	9.65	38.10	8.93	
11	9.8	51.90	11.23	48.41	10.56	45.08	9.90	43.33	9.57	41.59	9.25	38.10	8.61	
13	11.8	51.90	10.61	48.41	10.03	45.08	9.46	43.33	9.18	41.59	8.89	38.10	8.33	
15	13.7	51.90	10.17	48.41	9.65	45.08	9.14	43.33	8.89	41.59	8.65	38.10	8.13	
80%	-25	-25.4	39.58	14.76	39.42	15.16	40.00	14.76	38.41	14.07	36.98	13.41	33.81	12.10
	-19.8	-20	40.32	14.79	40.16	14.95	40.00	14.44	38.41	13.78	36.98	13.13	33.81	11.86
	-18.8	-19	40.63	14.81	40.48	14.95	40.00	14.30	38.41	13.64	36.98	12.99	33.81	11.73
	-16.7	-17	41.27	14.82	41.11	14.98	40.00	14.00	38.41	13.36	36.98	12.73	33.81	11.49
	-13.7	-15	41.90	14.86	41.75	15.00	40.00	13.72	38.41	13.09	36.98	12.48	33.81	11.28
	-11.8	-13	42.54	14.88	42.38	14.72	40.00	13.44	38.41	12.83	36.98	12.24	33.81	11.07
	-9.8	-11	43.17	14.89	43.02	14.42	40.00	13.20	38.41	12.59	36.98	12.01	33.81	10.86
	-9.5	-10	43.49	14.91	43.02	14.28	40.00	13.06	38.41	12.47	36.98	11.89	33.81	10.76
	-8.5	-9.1	43.81	14.93	43.02	14.16	40.00	12.96	38.41	12.36	36.98	11.79	33.81	10.67
	-7	-7.6	44.29	14.95	43.02	13.95	40.00	12.78	38.41	12.20	36.98	11.63	33.81	10.53
	-5	-5.6	46.19	14.65	43.02	13.50	40.00	12.38	38.41	11.82	36.98	11.30	33.81	10.23
	-3	-3.7	46.19	15.16	43.02	13.97	40.00	12.82	38.41	12.24	36.98	11.68	33.81	10.60
	0	-0.7	46.19	15.92	43.02	14.68	40.00	13.46	38.41	12.87	36.98	12.29	33.81	11.16
	3	2.2	46.19	13.83	43.02	12.76	40.00	11.73	38.41	11.23	36.98	10.74	33.81	9.76
	5	4.1	46.19	12.64	43.02	11.73	40.00	10.84	38.41	10.41	36.98	9.97	33.81	9.13
	7	6	46.19	11.09	43.02	10.35	40.00	9.62	38.41	9.25	36.98	8.90	33.81	8.21
9	7.9	46.19	10.51	43.02	9.86	40.00	9.22	38.41	8.90	36.98	8.57	33.81	7.96	
11	9.8	46.19	9.99	43.02	9.41	40.00	8.85	38.41	8.57	36.98	8.29	33.81	7.75	
13	11.8	46.19	9.53	43.02	9.03	40.00	8.54	38.41	8.29	36.98	8.05	33.81	7.56	
15	13.7	46.19	9.20	43.02	8.75	40.00	8.31	38.41	8.10	36.98	7.87	33.81	7.44	

**Abbreviations:**

CR: Combination ratio

TC: Total capacity (kW)

PI: Power input (compressor + outdoor fan motor) (kW)

**Notes:**

- Shaded cells indicate rating condition.

Table continued on next page ...



Table 2-8.19: 18HP heating capacity (continued)

CR	Outdoor air temp.		Indoor air temp. °C DB											
			16.0		18.0		20.0		21.0		22.0		24.0	
	°C DB	°C WB	TC	PI	TC	PI	TC	PI	TC	PI	TC	PI	TC	PI
70%	-25	-25.4	40.06	15.11	37.62	13.90	35.08	12.73	33.65	12.16	32.38	11.60	29.68	10.50
	-19.8	-20	40.00	14.80	37.62	13.61	35.08	12.48	33.65	11.92	32.38	11.37	29.68	10.29
	-18.8	-19	40.32	14.64	37.62	13.47	35.08	12.34	33.65	11.79	32.38	11.26	29.68	10.20
	-16.7	-17	40.32	14.34	37.62	13.21	35.08	12.11	33.65	11.56	32.38	11.03	29.68	10.01
	-13.7	-15	40.32	14.06	37.62	12.94	35.08	11.86	33.65	11.35	32.38	10.82	29.68	9.81
	-11.8	-13	40.32	13.77	37.62	12.70	35.08	11.65	33.65	11.12	32.38	10.63	29.68	9.64
	-9.8	-11	40.32	13.51	37.62	12.45	35.08	11.42	33.65	10.93	32.38	10.43	29.68	9.46
	-9.5	-10	40.32	13.38	37.62	12.34	35.08	11.32	33.65	10.82	32.38	10.33	29.68	9.39
	-8.5	-9.1	40.32	13.26	37.62	12.24	35.08	11.23	33.65	10.73	32.38	10.26	29.68	9.30
	-7	-7.6	40.32	13.08	37.62	12.06	35.08	11.07	33.65	10.59	32.38	10.11	29.68	9.18
	-5	-5.6	40.32	12.68	37.62	11.70	35.08	10.77	33.65	10.31	32.38	9.85	29.68	8.96
	-3	-3.7	40.32	13.12	37.62	12.11	35.08	11.14	33.65	10.66	32.38	10.20	29.68	9.28
	0	-0.7	40.32	13.79	37.62	12.75	35.08	11.72	33.65	11.23	32.38	10.73	29.68	9.78
	3	2.2	40.32	12.01	37.62	11.12	35.08	10.26	33.65	9.83	32.38	9.41	29.68	8.59
	5	4.1	40.32	11.09	37.62	10.33	35.08	9.57	33.65	9.19	32.38	8.82	29.68	8.10
7	6	40.32	9.83	37.62	9.19	35.08	8.58	33.65	8.26	32.38	7.96	29.68	7.36	
9	7.9	40.32	9.41	37.62	8.84	35.08	8.29	33.65	8.00	32.38	7.74	29.68	7.21	
11	9.8	40.32	9.04	37.62	8.54	35.08	8.04	33.65	7.82	32.38	7.57	29.68	7.09	
13	11.8	40.32	8.70	37.62	8.27	35.08	7.83	33.65	7.62	32.38	7.41	29.68	6.98	
15	13.7	40.32	8.47	37.62	8.08	35.08	7.71	33.65	7.51	32.38	7.32	29.68	6.95	
60%	-25	-25.4	34.60	12.59	32.38	11.60	30.00	10.66	28.89	10.19	27.62	9.74	25.40	8.86
	-19.8	-20	34.60	12.32	32.38	11.37	30.00	10.45	28.89	9.99	27.62	9.55	25.40	8.68
	-18.8	-19	34.60	12.20	32.38	11.26	30.00	10.34	28.89	9.90	27.62	9.46	25.40	8.61
	-16.7	-17	34.60	11.95	32.38	11.03	30.00	10.15	28.89	9.71	27.62	9.28	25.40	8.45
	-13.7	-15	34.60	11.72	32.38	10.82	30.00	9.95	28.89	9.53	27.62	9.12	25.40	8.29
	-11.8	-13	34.60	11.49	32.38	10.63	30.00	9.78	28.89	9.35	27.62	8.95	25.40	8.15
	-9.8	-11	34.60	11.28	32.38	10.43	30.00	9.60	28.89	9.19	27.62	8.79	25.40	8.01
	-9.5	-10	34.60	11.17	32.38	10.33	30.00	9.51	28.89	9.11	27.62	8.72	25.40	7.94
	-8.5	-9.1	34.60	11.10	32.38	10.26	30.00	9.44	28.89	9.04	27.62	8.65	25.40	7.89
	-7	-7.6	34.60	10.93	32.38	10.11	30.00	9.32	28.89	8.93	27.62	8.54	25.40	7.78
	-5	-5.6	34.60	10.63	32.38	9.85	30.00	9.09	28.89	8.72	27.62	8.35	25.40	7.62
	-3	-3.7	34.60	11.02	32.38	10.20	30.00	9.41	28.89	9.04	27.62	8.65	25.40	7.90
	0	-0.7	34.60	11.58	32.38	10.73	30.00	9.92	28.89	9.51	27.62	9.11	25.40	8.33
	3	2.2	34.60	10.13	32.38	9.41	30.00	8.70	28.89	8.36	27.62	8.01	25.40	7.34
	5	4.1	34.60	9.46	32.38	8.82	30.00	8.20	28.89	7.90	27.62	7.60	25.40	7.00
7	6	34.60	8.49	32.38	7.96	30.00	7.44	28.89	7.18	27.62	6.93	25.40	6.44	
9	7.9	34.60	8.22	32.38	7.74	30.00	7.28	28.89	7.05	27.62	6.84	25.40	6.38	
11	9.8	34.60	7.97	32.38	7.57	30.00	7.16	28.89	6.95	27.62	6.75	25.40	6.35	
13	11.8	34.60	7.78	32.38	7.41	30.00	7.05	28.89	6.86	27.62	6.68	25.40	6.33	
15	13.7	34.60	7.66	32.38	7.32	30.00	7.00	28.89	6.84	27.62	6.68	25.40	6.35	
50%	-25	-25.4	28.89	10.17	26.98	9.43	25.08	8.69	23.97	9.10	23.02	7.98	21.11	7.30
	-19.8	-20	28.89	9.99	26.98	9.26	25.08	8.54	23.97	8.20	23.02	7.85	21.11	7.18
	-18.8	-19	28.89	9.90	26.98	9.18	25.08	8.47	23.97	8.88	23.02	7.78	21.11	7.11
	-16.7	-17	28.89	9.71	26.98	9.00	25.08	8.31	23.97	7.97	23.02	7.64	21.11	6.98
	-13.7	-15	28.89	9.53	26.98	8.84	25.08	8.17	23.97	7.83	23.02	7.51	21.11	6.86
	-11.8	-13	28.89	9.35	26.98	8.68	25.08	8.03	23.97	7.69	23.02	7.37	21.11	6.75
	-9.8	-11	28.89	9.19	26.98	8.54	25.08	7.89	23.97	7.57	23.02	7.25	21.11	6.63
	-9.5	-10	28.89	9.11	26.98	8.45	25.08	7.82	23.97	7.50	23.02	7.20	21.11	6.58
	-8.5	-9.1	28.89	9.04	26.98	8.40	25.08	7.76	23.97	7.44	23.02	7.14	21.11	6.54
	-7	-7.6	28.89	8.93	26.98	8.29	25.08	7.66	23.97	7.36	23.02	7.05	21.11	6.45
	-5	-5.6	28.89	8.72	26.98	8.10	25.08	7.50	23.97	7.21	23.02	6.91	21.11	6.35
	-3	-3.7	28.89	9.04	26.98	8.40	25.08	7.78	23.97	7.48	23.02	7.18	21.11	6.58
	0	-0.7	28.89	9.51	26.98	8.84	25.08	8.20	23.97	7.89	23.02	7.57	21.11	6.95
	3	2.2	28.89	8.36	26.98	7.80	25.08	7.23	23.97	6.97	23.02	6.68	21.11	6.15
	5	4.1	28.89	7.90	26.98	7.39	25.08	6.91	23.97	6.67	23.02	6.42	21.11	5.94
7	6	28.89	7.18	26.98	6.77	25.08	6.35	23.97	6.15	23.02	5.94	21.11	5.53	
9	7.9	28.89	7.05	26.98	6.68	25.08	6.31	23.97	6.14	23.02	5.94	21.11	5.59	
11	9.8	28.89	6.95	26.98	6.61	25.08	6.28	23.97	6.12	23.02	5.96	21.11	5.62	
13	11.8	28.89	6.86	26.98	6.56	25.08	6.28	23.97	6.12	23.02	5.96	21.11	5.69	
15	13.7	28.89	6.84	26.98	6.56	25.08	6.29	23.97	6.17	23.02	6.05	21.11	5.78	

Abbreviations:

CR: Combination ratio

TC: Total capacity (kW)

PI: Power input (compressor + outdoor fan motor) (kW)

Notes:

1. Shaded cells indicate rating condition.

Table 2-8.20: 20HP heating capacity

CR	Outdoor air temp.		Indoor air temp. °C DB											
			16.0		18.0		20.0		21.0		22.0		24.0	
	°C DB	°C WB	TC	PI	TC	PI	TC	PI	TC	PI	TC	PI	TC	PI
130%	-25	-25.4	45.14	15.07	44.96	15.22	44.78	15.38	44.64	15.47	44.61	15.57	44.36	15.77
	-19.8	-20	45.92	15.10	45.74	15.25	45.56	15.41	45.39	15.50	45.39	15.60	45.21	15.81
	-18.8	-19	46.27	15.12	46.09	15.25	45.92	15.43	45.92	15.52	45.74	15.62	45.56	15.81
	-16.7	-17	46.98	15.14	46.80	15.29	46.63	15.45	46.63	15.54	46.45	15.64	46.27	15.85
	-13.7	-15	47.69	15.16	47.51	15.31	47.34	15.48	47.34	15.58	47.16	15.68	46.98	15.87
	-11.8	-13	48.40	15.20	48.22	15.35	48.04	15.50	48.04	15.60	47.87	15.69	47.87	15.90
	-9.8	-11	49.11	15.22	48.93	15.37	48.75	15.54	48.75	15.62	48.75	15.71	48.58	15.92
	-9.5	-10	49.46	15.23	49.29	15.37	49.29	15.54	49.11	15.64	49.11	15.73	48.93	15.94
	-8.5	-9.1	49.82	15.23	49.64	15.39	49.46	15.56	49.46	15.66	49.46	15.75	49.29	15.96
	-7	-7.6	50.35	15.25	50.17	15.41	50.17	15.58	50.00	15.68	50.00	15.77	49.82	15.98
	-5	-5.6	54.25	16.36	54.07	16.54	53.90	16.71	53.90	16.82	53.72	16.92	53.54	17.13
	-3	-3.7	54.96	17.23	54.78	17.42	54.60	17.61	54.60	17.70	54.43	17.82	54.25	18.05
	0	-0.7	56.02	18.60	55.85	18.81	55.67	19.02	55.67	19.12	55.49	19.23	55.49	19.48
	3	2.2	61.16	18.26	61.16	18.45	60.99	18.66	60.81	18.76	60.81	18.87	60.63	18.66
	5	4.1	76.94	22.58	76.77	22.45	72.69	20.54	69.85	19.60	67.01	18.68	61.52	16.88
	7	6	83.86	20.63	78.18	19.06	72.69	17.53	69.85	16.79	67.01	16.04	61.52	14.60
9	7.9	83.86	18.83	78.18	17.49	72.69	16.17	69.85	15.54	67.01	14.91	61.52	13.65	
11	9.8	83.86	17.26	78.18	16.10	72.69	14.99	69.85	14.45	67.01	13.90	61.52	12.80	
13	11.8	83.86	15.90	78.18	14.91	72.69	13.95	69.85	13.47	67.01	13.00	61.52	12.06	
15	13.7	83.86	14.87	78.18	14.01	72.69	13.17	69.85	12.75	67.01	12.33	61.52	11.50	
120%	-25	-25.4	45.27	15.75	45.10	15.90	44.43	16.08	44.92	16.17	44.73	16.28	44.60	16.49
	-19.8	-20	45.87	15.77	45.69	15.93	45.51	16.10	45.51	16.20	45.33	16.30	45.16	16.52
	-18.8	-19	46.22	15.79	46.04	15.94	45.87	16.12	45.87	16.20	45.69	16.32	45.51	16.52
	-16.7	-17	46.93	15.81	46.76	15.96	46.58	16.14	46.58	16.24	46.40	16.34	46.40	16.56
	-13.7	-15	47.64	15.83	47.47	16.00	47.29	16.18	47.29	16.26	47.29	16.38	47.11	16.58
	-11.8	-13	48.36	15.87	48.18	16.02	49.42	16.20	48.00	16.30	48.00	16.40	47.82	16.62
	-9.8	-11	49.07	15.89	48.89	16.04	48.89	16.22	48.71	16.32	48.71	16.42	48.53	16.64
	-9.5	-10	49.42	15.91	49.24	16.06	49.24	16.24	49.07	16.34	49.07	16.44	48.89	16.66
	-8.5	-9.1	49.78	15.91	49.60	16.08	49.60	16.26	49.42	16.36	49.42	16.46	49.24	16.66
	-7	-7.6	50.31	15.93	50.13	16.10	50.13	16.28	49.96	16.38	49.96	16.48	49.78	16.68
	-5	-5.6	54.22	17.09	54.04	17.27	53.87	17.47	53.87	17.57	53.87	17.66	53.69	17.88
	-3	-3.7	54.93	18.00	54.76	18.20	54.58	18.40	54.58	18.49	54.40	18.61	54.40	18.83
	0	-0.7	56.00	19.44	55.82	19.64	55.64	19.86	55.64	19.98	55.64	20.09	55.47	20.21
	3	2.2	61.16	19.09	61.16	19.26	60.98	19.48	60.80	19.58	60.80	19.44	56.89	17.51
	5	4.1	76.98	22.88	72.36	21.04	67.20	19.28	64.53	18.41	62.04	17.57	56.89	15.91
	7	6	77.51	19.44	72.36	17.98	67.20	16.56	64.53	15.87	62.04	15.19	56.89	13.85
9	7.9	77.51	17.84	72.36	16.60	67.20	15.39	64.53	14.78	62.04	14.19	56.89	13.02	
11	9.8	77.51	16.46	72.36	15.39	67.20	14.34	64.53	13.83	62.04	13.32	56.89	12.29	
13	11.8	77.51	15.23	72.36	14.32	67.20	13.42	64.53	12.96	62.04	12.53	56.89	11.64	
15	13.7	77.51	14.32	72.36	13.53	67.20	12.72	64.53	12.33	62.04	11.95	56.89	11.18	
110%	-25	-25.4	45.03	16.16	44.83	16.33	44.61	16.51	44.67	16.60	44.51	16.71	44.50	16.92
	-19.8	-20	45.69	16.18	45.51	16.36	45.33	16.54	45.33	16.62	45.16	16.74	45.16	16.94
	-18.8	-19	46.04	16.20	45.87	16.36	45.69	16.54	45.69	16.64	45.51	16.74	45.51	16.96
	-16.7	-17	46.76	16.22	46.58	16.40	46.40	16.58	46.40	16.68	46.40	16.78	46.22	16.98
	-13.7	-15	47.47	16.26	47.29	16.42	47.11	16.60	47.11	16.70	47.11	16.80	46.93	17.02
	-11.8	-13	48.18	16.28	48.00	16.46	48.00	16.64	47.82	16.74	47.82	16.84	47.64	17.04
	-9.8	-11	48.89	16.32	48.71	16.48	48.71	16.66	48.53	16.76	48.53	16.86	48.36	17.08
	-9.5	-10	49.24	16.32	49.24	16.50	49.07	16.68	48.89	16.78	48.89	16.88	48.71	17.08
	-8.5	-9.1	49.60	16.34	49.42	16.50	49.42	16.70	49.24	16.78	49.24	16.88	49.07	17.10
	-7	-7.6	50.13	16.36	49.96	16.52	49.96	16.72	49.78	16.80	49.78	16.90	49.60	17.12
	-5	-5.6	54.04	17.57	53.87	17.75	53.69	17.93	53.69	18.03	53.69	18.13	52.09	16.98
	-3	-3.7	54.76	18.49	54.58	18.69	54.40	18.89	54.40	18.99	54.40	19.09	52.09	17.57
	0	-0.7	55.82	19.97	55.64	20.17	55.64	20.39	55.47	20.51	55.47	20.49	52.09	18.45
	3	2.2	60.98	19.59	60.98	19.79	60.80	19.53	59.20	18.63	56.89	17.75	52.09	16.00
	5	4.1	71.11	20.89	66.31	19.25	61.69	17.67	59.20	18.89	56.89	16.12	52.09	14.64
	7	6	71.11	17.87	66.31	16.56	61.69	15.28	59.20	14.66	56.89	14.04	52.09	12.84
9	7.9	71.11	16.52	66.31	15.38	61.69	14.28	59.20	13.74	56.89	13.20	52.09	12.16	
11	9.8	71.11	15.34	66.31	14.36	61.69	13.40	59.20	12.94	56.89	12.46	52.09	11.54	
13	11.8	71.11	14.28	66.31	13.44	61.69	12.62	59.20	12.22	56.89	11.80	52.09	11.00	
15	13.7	71.11	13.52	66.31	12.78	61.69	12.04	59.20	11.68	56.89	11.34	52.09	10.62	

**Abbreviations:**

- CR: Combination ratio
- TC: Total capacity (kW)
- PI: Power input (compressor + outdoor fan motor) (kW)

**Notes:**

1. Shaded cells indicate rating condition.

Table continued on next page ...

Table 2-8.20: 20HP heating capacity (continued)

CR	Outdoor air temp.		Indoor air temp. °C DB											
			16.0		18.0		20.0		21.0		22.0		24.0	
	°C DB	°C WB	TC	PI	TC	PI	TC	PI	TC	PI	TC	PI	TC	PI
100%	-25	-25.4	45.51	16.42	45.33	16.58	45.16	16.76	45.16	16.86	45.16	16.96	44.98	17.18
	-19.8	-20	45.87	16.42	45.69	16.60	45.51	16.78	45.51	16.88	45.51	16.98	45.33	17.18
	-18.8	-19	46.58	16.46	46.40	16.64	46.22	16.82	46.22	16.90	46.22	17.00	46.04	17.20
	-16.7	-17	47.29	16.48	47.11	16.66	47.11	16.84	46.93	16.94	46.93	17.04	46.76	16.84
	-13.7	-15	48.00	16.52	47.82	16.68	47.82	16.88	47.64	16.96	47.64	17.06	47.47	16.50
	-11.8	-13	48.71	16.54	48.53	16.72	48.53	16.90	48.36	17.00	48.36	17.08	47.47	16.18
	-9.8	-11	49.07	16.56	49.07	16.74	48.89	16.92	48.89	17.00	48.71	17.10	47.47	16.02
	-9.5	-10	49.42	16.58	49.24	16.74	49.24	16.92	49.07	17.02	49.07	17.12	47.47	15.88
	-8.5	-9.1	49.96	16.60	49.96	16.76	49.78	16.94	49.60	17.04	49.60	17.14	47.47	15.66
	-7	-7.6	53.87	16.62	53.69	16.77	53.69	16.95	53.51	17.67	51.73	16.80	47.47	15.16
	-5	-5.6	54.58	16.64	54.40	16.78	54.40	16.96	53.87	18.27	51.73	17.39	47.47	15.68
	-3	-3.7	55.64	16.66	55.47	16.79	55.47	16.40	53.87	17.18	51.73	18.27	47.47	16.48
	0	-0.7	57.07	16.68	60.27	16.80	56.00	15.95	53.87	18.07	51.73	17.22	47.47	15.48
	3	2.2	60.80	17.73	60.27	16.38	56.00	15.49	53.87	16.62	51.73	15.86	47.47	14.34
	5	4.1	64.53	16.81	60.27	15.58	56.00	14.76	53.87	15.18	51.73	14.50	47.47	13.20
7	6	64.53	15.89	60.27	14.78	56.00	13.82	53.87	13.28	51.73	12.72	47.47	11.66	
9	7.9	64.53	14.98	60.27	14.00	56.00	13.02	53.87	12.54	51.73	12.06	47.47	11.12	
11	9.8	64.53	14.02	60.27	13.14	56.00	12.30	53.87	11.88	51.73	11.46	47.47	10.64	
13	11.8	64.53	13.14	60.27	12.40	56.00	11.66	53.87	11.30	51.73	10.94	47.47	10.21	
15	13.7	64.53	12.50	60.27	11.86	56.00	11.20	53.87	10.88	51.73	10.56	47.47	9.91	
90%	-25	-25.4	44.50	16.65	44.27	16.81	44.12	17.00	44.09	17.34	44.79	17.65	42.67	15.96
	-19.8	-20	45.33	16.68	45.16	16.84	44.98	17.02	44.98	17.12	44.98	17.22	42.67	15.62
	-18.8	-19	45.69	16.70	45.51	16.86	45.33	17.04	45.33	17.14	45.33	17.16	42.67	15.46
	-16.7	-17	46.40	16.72	46.22	16.88	46.22	17.06	46.04	17.16	46.04	16.82	42.67	15.14
	-13.7	-15	47.11	16.74	46.93	16.92	46.93	17.10	46.76	17.18	46.58	16.48	42.67	14.84
	-11.8	-13	47.82	16.78	47.64	16.94	47.64	17.12	47.47	16.96	46.58	16.14	42.67	14.56
	-9.8	-11	48.53	16.80	48.53	16.98	48.36	17.14	48.36	16.62	46.58	15.84	42.67	14.28
	-9.5	-10	48.89	16.82	48.89	16.98	48.71	17.16	48.53	16.46	46.58	15.68	42.67	14.14
	-8.5	-9.1	49.24	16.84	49.07	17.00	49.07	17.12	48.53	16.32	46.58	15.54	42.67	14.02
	-7	-7.6	49.78	16.86	49.78	17.02	49.60	16.88	48.53	16.10	46.58	15.32	42.67	13.82
	-5	-5.6	53.69	16.89	53.51	17.04	50.49	16.30	48.53	15.56	46.58	14.84	42.67	13.42
	-3	-3.7	54.40	16.92	54.22	17.06	50.49	16.86	48.53	16.10	46.58	15.36	42.67	13.88
	0	-0.7	55.47	16.94	54.22	17.08	50.49	17.73	48.53	16.92	46.58	16.14	42.67	14.60
	3	2.2	58.13	16.96	54.22	16.78	50.49	15.40	48.53	14.72	46.58	14.04	42.67	12.74
	5	4.1	58.13	16.54	54.22	15.32	50.49	14.12	48.53	13.52	46.58	12.94	42.67	11.82
7	6	58.13	14.38	54.22	13.38	50.49	12.40	48.53	11.92	46.58	11.46	42.67	10.52	
9	7.9	58.13	13.50	54.22	12.64	50.49	11.78	48.53	11.36	46.58	10.94	42.67	10.11	
11	9.8	58.13	12.72	54.22	11.96	50.49	11.22	48.53	10.84	46.58	10.48	42.67	9.75	
13	11.8	58.13	12.02	54.22	11.36	50.49	10.72	48.53	10.40	46.58	10.07	42.67	9.43	
15	13.7	58.13	11.52	54.22	10.94	50.49	10.35	48.53	10.07	46.58	9.79	42.67	9.21	
80%	-25	-25.4	44.33	16.72	44.15	17.18	44.80	16.72	43.02	15.94	41.42	15.19	37.87	13.70
	-19.8	-20	45.16	16.75	44.98	16.93	44.80	16.36	43.02	15.60	41.42	14.87	37.87	13.43
	-18.8	-19	45.51	16.77	45.33	16.93	44.80	16.20	43.02	15.45	41.42	14.71	37.87	13.29
	-16.7	-17	46.22	16.79	46.04	16.97	44.80	15.86	43.02	15.13	41.42	14.42	37.87	13.01
	-13.7	-15	46.93	16.83	46.76	16.99	44.80	15.55	43.02	14.83	41.42	14.14	37.87	12.78
	-11.8	-13	47.64	16.85	47.47	16.67	44.80	15.23	43.02	14.54	41.42	13.86	37.87	12.54
	-9.8	-11	48.36	16.87	48.18	16.34	44.80	14.95	43.02	14.26	41.42	13.61	37.87	12.30
	-9.5	-10	48.71	16.89	48.18	16.18	44.80	14.79	43.02	14.12	41.42	13.47	37.87	12.18
	-8.5	-9.1	49.07	16.91	48.18	16.04	44.80	14.68	43.02	14.00	41.42	13.35	37.87	12.08
	-7	-7.6	49.60	16.93	48.18	15.80	44.80	14.48	43.02	13.82	41.42	13.17	37.87	11.93
	-5	-5.6	51.73	16.59	48.18	15.29	44.80	14.02	43.02	13.39	41.42	12.80	37.87	11.59
	-3	-3.7	51.73	17.17	48.18	15.82	44.80	14.52	43.02	13.86	41.42	13.23	37.87	12.01
	0	-0.7	51.73	18.04	48.18	16.63	44.80	15.25	43.02	14.58	41.42	13.92	37.87	12.64
	3	2.2	51.73	15.66	48.18	14.46	44.80	13.29	43.02	12.72	41.42	12.16	37.87	11.06
	5	4.1	51.73	14.32	48.18	13.29	44.80	12.28	43.02	11.79	41.42	11.29	37.87	10.34
7	6	51.73	12.56	48.18	11.73	44.80	10.90	43.02	10.48	41.42	10.09	37.87	9.30	
9	7.9	51.73	11.91	48.18	11.17	44.80	10.44	43.02	10.09	41.42	9.71	37.87	9.02	
11	9.8	51.73	11.31	48.18	10.66	44.80	10.03	43.02	9.71	41.42	9.39	37.87	8.78	
13	11.8	51.73	10.80	48.18	10.23	44.80	9.67	43.02	9.39	41.42	9.12	37.87	8.56	
15	13.7	51.73	10.42	48.18	9.91	44.80	9.41	43.02	9.18	41.42	8.92	37.87	8.43	

Abbreviations:

- CR: Combination ratio
- TC: Total capacity (kW)
- PI: Power input (compressor + outdoor fan motor) (kW)

Notes:

- Shaded cells indicate rating condition.

Table continued on next page ...

Table 2-8.20: 20HP heating capacity (continued)

CR	Outdoor air temp.		Indoor air temp. °C DB											
			16.0		18.0		20.0		21.0		22.0		24.0	
	°C DB	°C WB	TC	PI	TC	PI	TC	PI	TC	PI	TC	PI	TC	PI
70%	-25	-25.4	44.87	17.12	42.13	15.74	39.29	14.42	37.69	13.77	36.27	13.14	33.24	11.89
	-19.8	-20	44.80	16.76	42.13	15.42	39.29	14.14	37.69	13.50	36.27	12.88	33.24	11.66
	-18.8	-19	45.16	16.58	42.13	15.26	39.29	13.98	37.69	13.36	36.27	12.76	33.24	11.56
	-16.7	-17	45.16	16.24	42.13	14.96	39.29	13.72	37.69	13.10	36.27	12.50	33.24	11.34
	-13.7	-15	45.16	15.92	42.13	14.66	39.29	13.44	37.69	12.86	36.27	12.26	33.24	11.12
	-11.8	-13	45.16	15.60	42.13	14.38	39.29	13.20	37.69	12.60	36.27	12.04	33.24	10.92
	-9.8	-11	45.16	15.30	42.13	14.10	39.29	12.94	37.69	12.38	36.27	11.82	33.24	10.72
	-9.5	-10	45.16	15.16	42.13	13.98	39.29	12.82	37.69	12.26	36.27	11.70	33.24	10.64
	-8.5	-9.1	45.16	15.02	42.13	13.86	39.29	12.72	37.69	12.16	36.27	11.62	33.24	10.54
	-7	-7.6	45.16	14.82	42.13	13.66	39.29	12.54	37.69	12.00	36.27	11.46	33.24	10.40
	-5	-5.6	45.16	14.36	42.13	13.26	39.29	12.20	37.69	11.68	36.27	11.16	33.24	10.15
	-3	-3.7	45.16	14.86	42.13	13.72	39.29	12.62	37.69	12.08	36.27	11.56	33.24	10.52
	0	-0.7	45.16	15.62	42.13	14.44	39.29	13.28	37.69	12.72	36.27	12.16	33.24	11.08
	3	2.2	45.16	13.60	42.13	12.60	39.29	11.62	37.69	11.14	36.27	10.66	33.24	9.73
	5	4.1	45.16	12.56	42.13	11.70	39.29	10.84	37.69	10.42	36.27	9.99	33.24	9.17
	7	6	45.16	11.14	42.13	10.42	39.29	9.71	37.69	9.35	36.27	9.01	33.24	8.33
9	7.9	45.16	10.66	42.13	10.01	39.29	9.39	37.69	11.10	36.27	8.77	33.24	8.17	
11	9.8	45.16	10.23	42.13	9.67	39.29	9.11	37.69	8.85	36.27	8.57	33.24	8.03	
13	11.8	45.16	9.85	42.13	9.37	39.29	8.87	37.69	8.63	36.27	8.39	33.24	7.91	
15	13.7	45.16	9.59	42.13	9.15	39.29	8.73	37.69	8.51	36.27	8.29	33.24	7.87	
60%	-25	-25.4	38.76	14.26	36.27	13.15	33.60	12.07	32.36	11.55	30.93	11.03	28.44	10.03
	-19.8	-20	38.76	13.96	36.27	12.88	33.60	11.84	32.36	11.32	30.93	10.82	28.44	9.83
	-18.8	-19	38.76	13.82	36.27	12.76	33.60	11.72	32.36	11.22	30.93	10.72	28.44	9.75
	-16.7	-17	38.76	13.54	36.27	12.50	33.60	11.50	32.36	11.00	30.93	10.52	28.44	9.57
	-13.7	-15	38.76	13.28	36.27	12.26	33.60	11.28	32.36	10.80	30.93	10.33	28.44	9.39
	-11.8	-13	38.76	13.02	36.27	12.04	33.60	11.08	32.36	10.60	30.93	10.13	28.44	9.23
	-9.8	-11	38.76	12.78	36.27	11.82	33.60	10.88	32.36	10.42	30.93	9.95	28.44	9.07
	-9.5	-10	38.76	12.66	36.27	11.70	33.60	10.78	32.36	10.31	30.93	9.87	28.44	8.99
	-8.5	-9.1	38.76	12.57	36.27	11.62	33.60	10.70	32.36	10.23	30.93	9.79	28.44	8.93
	-7	-7.6	38.76	12.38	36.27	11.46	33.60	10.56	32.36	10.11	30.93	9.67	28.44	8.81
	-5	-5.6	38.76	12.04	36.27	11.16	33.60	10.29	32.36	9.87	30.93	9.45	28.44	8.63
	-3	-3.7	38.76	12.48	36.27	11.56	33.60	10.66	32.36	10.23	30.93	9.79	28.44	8.95
	0	-0.7	38.76	13.12	36.27	12.16	33.60	11.24	32.36	10.78	30.93	10.31	28.44	9.43
	3	2.2	38.76	11.48	36.27	10.66	33.60	9.85	32.36	9.47	30.93	9.07	28.44	8.31
	5	4.1	38.76	10.72	36.27	9.99	33.60	9.29	32.36	8.95	30.93	8.61	28.44	7.93
	7	6	38.76	9.61	36.27	9.01	33.60	8.43	32.36	8.13	30.93	7.85	28.44	7.29
9	7.9	38.76	9.31	36.27	8.77	33.60	8.25	32.36	7.99	30.93	7.75	28.44	7.23	
11	9.8	38.76	9.03	36.27	8.57	33.60	8.11	32.36	7.87	30.93	7.65	28.44	7.19	
13	11.8	38.76	8.81	36.27	8.39	33.60	7.99	32.36	7.77	30.93	7.57	28.44	7.17	
15	13.7	38.76	8.67	36.27	8.29	33.60	7.93	32.36	7.75	30.93	7.57	28.44	7.19	
50%	-25	-25.4	32.36	11.52	30.22	10.68	28.09	9.85	26.84	10.31	25.78	9.04	23.64	8.27
	-19.8	-20	32.36	11.32	30.22	10.50	28.09	9.67	26.84	9.29	25.78	8.89	23.64	8.13
	-18.8	-19	32.36	11.22	30.22	10.40	28.09	9.59	26.84	11.20	25.78	8.81	23.64	8.05
	-16.7	-17	32.36	11.00	30.22	10.19	28.09	9.41	26.84	9.03	25.78	8.65	23.64	7.91
	-13.7	-15	32.36	10.80	30.22	10.01	28.09	9.25	26.84	8.87	25.78	8.51	23.64	7.77
	-11.8	-13	32.36	10.60	30.22	9.83	28.09	9.09	26.84	8.71	25.78	8.35	23.64	7.65
	-9.8	-11	32.36	10.42	30.22	9.67	28.09	8.93	26.84	8.57	25.78	8.21	23.64	7.51
	-9.5	-10	32.36	10.31	30.22	9.57	28.09	8.85	26.84	8.49	25.78	8.15	23.64	7.45
	-8.5	-9.1	32.36	10.23	30.22	9.51	28.09	8.79	26.84	8.43	25.78	8.09	23.64	7.41
	-7	-7.6	32.36	10.11	30.22	9.39	28.09	8.67	26.84	8.33	25.78	7.99	23.64	7.31
	-5	-5.6	32.36	9.87	30.22	9.17	28.09	8.49	26.84	8.17	25.78	7.83	23.64	7.19
	-3	-3.7	32.36	10.23	30.22	9.51	28.09	8.81	26.84	8.47	25.78	8.13	23.64	7.45
	0	-0.7	32.36	10.78	30.22	10.01	28.09	9.29	26.84	8.93	25.78	8.57	23.64	7.87
	3	2.2	32.36	9.47	30.22	8.83	28.09	8.19	26.84	7.89	25.78	7.57	23.64	6.97
	5	4.1	32.36	8.95	30.22	8.37	28.09	7.83	26.84	7.55	25.78	7.27	23.64	6.73
	7	6	32.36	8.13	30.22	7.67	28.09	7.19	26.84	6.97	25.78	6.73	23.64	6.27
9	7.9	32.36	7.99	30.22	7.57	28.09	7.15	26.84	6.95	25.78	6.73	23.64	6.33	
11	9.8	32.36	7.87	30.22	7.49	28.09	7.11	26.84	6.93	25.78	6.75	23.64	6.37	
13	11.8	32.36	7.77	30.22	7.43	28.09	7.11	26.84	6.93	25.78	6.75	23.64	6.45	
15	13.7	32.36	7.75	30.22	7.43	28.09	7.13	26.84	6.99	25.78	6.85	23.64	6.55	

**Abbreviations:**

CR: Combination ratio

TC: Total capacity (kW)

PI: Power input (compressor + outdoor fan motor) (kW)

**Notes:**

1. Shaded cells indicate rating condition.

Table 2-8.21: 22HP heating capacity

CR	Outdoor air temp.		Indoor air temp. °C DB											
			16.0		18.0		20.0		21.0		22.0		24.0	
	°C DB	°C WB	TC	PI	TC	PI	TC	PI	TC	PI	TC	PI	TC	PI
130%	-25	-25.4	49.57	19.16	49.38	19.35	49.18	19.55	49.03	19.67	48.99	19.79	48.71	20.05
	-19.8	-20	50.43	19.20	50.23	19.39	50.04	19.59	49.84	19.71	49.84	19.83	49.65	20.10
	-18.8	-19	50.82	19.22	50.62	19.39	50.43	19.61	50.43	19.73	50.23	19.86	50.04	20.10
	-16.7	-17	51.60	19.25	51.40	19.44	51.21	19.64	51.21	19.76	51.01	19.88	50.82	20.15
	-13.7	-15	52.37	19.27	52.18	19.47	51.98	19.69	51.98	19.81	51.79	19.93	51.60	20.17
	-11.8	-13	53.15	19.32	52.96	19.51	52.76	19.71	52.76	19.83	52.57	19.95	52.57	20.22
	-9.8	-11	53.93	19.34	53.74	19.54	53.54	19.76	53.54	19.86	53.54	19.98	53.35	20.24
	-9.5	-10	54.32	19.37	54.13	19.54	54.13	19.76	53.93	19.88	53.93	20.00	53.74	20.27
	-8.5	-9.1	54.71	19.37	54.52	19.56	54.32	19.78	54.32	19.90	54.32	20.03	54.13	20.29
	-7	-7.6	55.29	19.39	55.10	19.59	55.10	19.81	54.91	19.93	54.91	20.05	54.71	20.32
	-5	-5.6	59.58	20.80	59.38	21.02	59.19	21.24	59.19	21.39	58.99	21.51	58.80	21.78
	-3	-3.7	60.36	21.90	60.16	22.14	59.97	22.39	59.97	22.51	59.77	22.65	59.58	22.95
	0	-0.7	61.53	23.65	61.33	23.92	61.14	24.19	61.14	24.31	60.94	24.45	60.94	24.77
	3	2.2	67.17	23.21	67.17	23.46	66.98	23.72	66.78	23.85	66.78	23.99	66.59	23.72
	5	4.1	84.50	28.71	84.31	28.54	79.83	26.11	76.71	24.92	73.60	23.75	67.56	21.46
7	6	92.09	26.23	85.86	24.24	79.83	22.29	76.71	21.34	73.60	20.39	67.56	18.57	
9	7.9	92.09	23.94	85.86	22.24	79.83	20.56	76.71	19.76	73.60	18.96	67.56	17.35	
11	9.8	92.09	21.95	85.86	20.46	79.83	19.05	76.71	18.37	73.60	17.67	67.56	16.28	
13	11.8	92.09	20.22	85.86	18.96	79.83	17.74	76.71	17.13	73.60	16.52	67.56	15.33	
15	13.7	92.09	18.91	85.86	17.81	79.83	16.74	76.71	16.21	73.60	15.67	67.56	14.62	
120%	-25	-25.4	49.72	20.02	49.53	20.22	103.70	20.45	49.33	20.56	49.12	20.70	48.98	20.97
	-19.8	-20	50.37	20.05	50.18	20.25	49.98	20.47	49.98	20.60	49.79	20.72	49.59	21.00
	-18.8	-19	50.76	20.07	50.57	20.27	50.37	20.50	50.37	20.60	50.18	20.75	49.98	21.00
	-16.7	-17	51.54	20.10	51.35	20.30	51.15	20.52	51.15	20.65	50.96	20.77	50.96	21.05
	-13.7	-15	52.32	20.12	52.13	20.35	51.93	20.57	51.93	20.67	51.93	20.82	51.74	21.08
	-11.8	-13	53.10	20.17	52.91	20.37	54.28	20.60	52.71	20.72	52.71	20.85	52.52	21.13
	-9.8	-11	53.89	20.20	53.69	20.40	53.69	20.62	53.50	20.75	53.50	20.87	53.30	21.15
	-9.5	-10	54.28	20.22	54.08	20.42	54.08	20.65	53.89	20.77	53.89	20.90	53.69	21.18
	-8.5	-9.1	54.67	20.22	54.47	20.45	54.47	20.67	54.28	20.80	54.28	20.92	54.08	21.18
	-7	-7.6	55.25	20.25	55.06	20.47	55.06	20.70	54.86	20.82	54.86	20.95	54.67	21.20
	-5	-5.6	59.55	21.73	59.35	21.95	59.16	22.21	59.16	22.33	59.16	22.46	58.96	22.73
	-3	-3.7	60.33	22.88	60.13	23.14	59.94	23.39	59.94	23.51	59.74	23.66	59.74	23.94
	0	-0.7	61.50	24.72	61.30	24.97	61.11	25.25	61.11	25.40	61.11	25.55	60.91	25.70
	3	2.2	67.16	24.27	67.16	24.49	66.97	24.77	66.77	24.89	66.77	24.72	62.48	22.26
	5	4.1	84.54	29.09	79.46	26.75	73.80	24.52	70.87	23.41	68.14	22.33	62.48	20.22
7	6	85.12	24.72	79.46	22.86	73.80	21.05	70.87	20.17	68.14	19.32	62.48	17.61	
9	7.9	85.12	22.68	79.46	21.10	73.80	19.57	70.87	18.79	68.14	18.04	62.48	16.55	
11	9.8	85.12	20.92	79.46	19.57	73.80	18.24	70.87	17.58	68.14	16.93	62.48	15.62	
13	11.8	85.12	19.37	79.46	18.21	73.80	17.06	70.87	16.48	68.14	15.93	62.48	14.80	
15	13.7	85.12	18.21	79.46	17.21	73.80	16.18	70.87	15.67	68.14	15.20	62.48	14.22	
110%	-25	-25.4	49.45	20.54	49.23	20.77	48.99	20.99	49.06	21.11	48.89	21.25	48.87	21.51
	-19.8	-20	50.18	20.57	49.98	20.80	49.79	21.03	49.79	21.13	49.59	21.29	49.59	21.54
	-18.8	-19	50.57	20.60	50.37	20.80	50.18	21.03	50.18	21.16	49.98	21.29	49.98	21.57
	-16.7	-17	51.35	20.63	51.15	20.85	50.96	21.08	50.96	21.21	50.96	21.34	50.76	21.59
	-13.7	-15	52.13	20.68	51.93	20.88	51.74	21.11	51.74	21.24	51.74	21.36	51.54	21.64
	-11.8	-13	52.91	20.70	52.71	20.93	52.71	21.16	52.52	21.29	52.52	21.42	52.32	21.67
	-9.8	-11	53.69	20.75	53.50	20.96	53.50	21.19	53.30	21.31	53.30	21.44	53.10	21.72
	-9.5	-10	54.08	20.75	54.08	20.98	53.89	21.21	53.69	21.34	53.69	21.47	53.50	21.72
	-8.5	-9.1	54.47	20.78	54.28	20.98	54.28	21.24	54.08	21.34	54.08	21.47	53.89	21.75
	-7	-7.6	55.06	20.80	54.86	21.01	54.86	21.26	54.67	21.36	54.67	21.49	54.47	21.77
	-5	-5.6	59.35	22.33	59.16	22.56	58.96	22.79	58.96	22.92	58.96	23.04	57.20	21.59
	-3	-3.7	60.13	23.50	59.94	23.76	59.74	24.01	59.74	24.14	59.74	24.27	57.20	22.33
	0	-0.7	61.30	25.39	61.11	25.64	61.11	25.92	60.91	26.07	60.91	26.05	57.20	23.45
	3	2.2	66.97	24.90	66.97	25.16	66.77	24.83	65.01	23.68	62.48	22.56	57.20	20.35
	5	4.1	78.10	26.56	72.82	24.47	67.75	22.46	65.01	24.01	62.48	20.50	57.20	18.61
7	6	78.10	22.71	72.82	21.06	67.75	19.43	65.01	18.64	62.48	17.85	57.20	16.32	
9	7.9	78.10	21.01	72.82	19.56	67.75	18.16	65.01	17.47	62.48	16.78	57.20	15.46	
11	9.8	78.10	19.51	72.82	18.26	67.75	17.04	65.01	16.45	62.48	15.84	57.20	14.67	
13	11.8	78.10	18.16	72.82	17.09	67.75	16.04	65.01	15.53	62.48	15.00	57.20	13.98	
15	13.7	78.10	17.19	72.82	16.25	67.75	15.30	65.01	14.85	62.48	14.41	57.20	13.50	

**Abbreviations:**

- CR: Combination ratio
- TC: Total capacity (kW)
- PI: Power input (compressor + outdoor fan motor) (kW)

**Notes:**

1. Shaded cells indicate rating condition.

Table continued on next page ...

Table 2-8.21: 22HP heating capacity (continued)

CR	Outdoor air temp.		Indoor air temp. °C DB											
			16.0		18.0		20.0		21.0		22.0		24.0	
	°C DB	°C WB	TC	PI	TC	PI	TC	PI	TC	PI	TC	PI	TC	PI
100%	-25	-25.4	49.98	20.88	49.79	21.08	49.59	21.31	49.59	21.44	49.59	21.57	49.40	21.85
	-19.8	-20	50.37	20.88	50.18	21.11	49.98	21.34	49.98	21.47	49.98	21.59	49.79	21.85
	-18.8	-19	51.15	20.93	50.96	21.16	50.76	21.39	50.76	21.49	50.76	21.62	50.57	21.87
	-16.7	-17	51.93	20.96	51.74	21.19	51.74	21.42	51.54	21.54	51.54	21.67	51.35	21.42
	-13.7	-15	52.71	21.01	52.52	21.21	52.52	21.47	52.32	21.57	52.32	21.70	52.13	20.98
	-11.8	-13	53.50	21.03	53.30	21.26	53.30	21.49	53.10	21.62	53.10	21.72	52.13	20.57
	-9.8	-11	53.89	21.06	53.89	21.29	53.69	21.52	53.69	21.62	53.50	21.75	52.13	20.37
	-9.5	-10	54.28	21.08	54.08	21.29	54.08	21.52	53.89	21.64	53.89	21.77	52.13	20.19
	-8.5	-9.1	54.86	21.11	54.86	21.31	54.67	21.54	54.47	21.67	54.47	21.80	52.13	19.91
	-7	-7.6	59.16	21.13	58.96	21.32	58.96	21.55	58.77	22.46	56.81	21.36	52.13	19.28
	-5	-5.6	59.94	21.16	59.74	21.33	59.74	21.56	59.16	23.22	56.81	22.10	52.13	19.94
	-3	-3.7	61.11	21.19	60.91	21.35	60.91	20.85	59.16	21.85	56.81	23.22	52.13	20.96
	0	-0.7	62.67	21.21	66.19	21.36	61.50	20.27	59.16	22.97	56.81	21.90	52.13	19.68
	3	2.2	66.77	22.54	66.19	20.83	61.50	19.69	59.16	21.13	56.81	20.17	52.13	18.23
	5	4.1	70.87	21.37	66.19	19.81	61.50	18.76	59.16	19.30	56.81	18.44	52.13	16.78
7	6	70.87	20.20	66.19	18.79	61.50	17.57	59.16	16.88	56.81	16.17	52.13	14.82	
9	7.9	70.87	19.05	66.19	17.80	61.50	16.55	59.16	15.94	56.81	15.33	52.13	14.13	
11	9.8	70.87	17.82	66.19	16.70	61.50	15.63	59.16	15.10	56.81	14.57	52.13	13.52	
13	11.8	70.87	16.70	66.19	15.76	61.50	14.82	59.16	14.36	56.81	13.90	52.13	12.99	
15	13.7	70.87	15.89	66.19	15.07	61.50	14.23	59.16	13.83	56.81	13.42	52.13	12.60	
90%	-25	-25.4	48.87	21.17	48.61	21.37	48.46	21.61	48.42	22.04	49.19	22.43	46.86	20.29
	-19.8	-20	49.79	21.21	49.59	21.42	49.40	21.64	49.40	21.77	49.40	21.90	46.86	19.86
	-18.8	-19	50.18	21.24	49.98	21.44	49.79	21.67	49.79	21.80	49.79	21.82	46.86	19.66
	-16.7	-17	50.96	21.26	50.76	21.47	50.76	21.70	50.57	21.82	50.57	21.39	46.86	19.25
	-13.7	-15	51.74	21.29	51.54	21.52	51.54	21.75	51.35	21.85	51.15	20.96	46.86	18.87
	-11.8	-13	52.52	21.34	52.32	21.54	52.32	21.77	52.13	21.57	51.15	20.52	46.86	18.51
	-9.8	-11	53.30	21.36	53.30	21.59	53.10	21.80	53.10	21.13	51.15	20.14	46.86	18.16
	-9.5	-10	53.69	21.39	53.69	21.59	53.50	21.82	53.30	20.93	51.15	19.94	46.86	17.98
	-8.5	-9.1	54.08	21.42	53.89	21.62	53.89	21.77	53.30	20.75	51.15	19.76	46.86	17.82
	-7	-7.6	54.67	21.44	54.67	21.64	54.47	21.47	53.30	20.47	51.15	19.48	46.86	17.57
	-5	-5.6	58.96	21.48	58.77	21.67	55.45	20.73	53.30	19.79	51.15	18.87	46.86	17.06
	-3	-3.7	59.74	21.51	59.55	21.69	55.45	21.44	53.30	20.47	51.15	19.53	46.86	17.65
	0	-0.7	60.91	21.54	59.55	21.71	55.45	22.54	53.30	21.52	51.15	20.52	46.86	18.56
	3	2.2	63.84	21.57	59.55	21.34	55.45	19.58	53.30	18.72	51.15	17.85	46.86	16.19
	5	4.1	63.84	21.03	59.55	19.48	55.45	17.95	53.30	17.19	51.15	16.45	46.86	15.02
7	6	63.84	18.28	59.55	17.01	55.45	15.76	53.30	15.15	51.15	14.57	46.86	13.37	
9	7.9	63.84	17.16	59.55	16.07	55.45	14.97	53.30	14.44	51.15	13.90	46.86	12.86	
11	9.8	63.84	16.17	59.55	15.20	55.45	14.26	53.30	13.78	51.15	13.32	46.86	12.40	
13	11.8	63.84	15.28	59.55	14.44	55.45	13.62	53.30	13.22	51.15	12.81	46.86	11.99	
15	13.7	63.84	14.64	59.55	13.90	55.45	13.16	53.30	12.81	51.15	12.45	46.86	11.71	
80%	-25	-25.4	48.68	21.26	48.48	21.84	49.20	21.25	47.25	20.27	45.49	19.31	41.59	17.42
	-19.8	-20	49.59	21.30	49.40	21.52	49.20	20.79	47.25	19.84	45.49	18.91	41.59	17.07
	-18.8	-19	49.98	21.32	49.79	21.52	49.20	20.59	47.25	19.64	45.49	18.71	41.59	16.90
	-16.7	-17	50.76	21.35	50.57	21.57	49.20	20.17	47.25	19.24	45.49	18.33	41.59	16.55
	-13.7	-15	51.54	21.40	51.35	21.60	49.20	19.76	47.25	18.86	45.49	17.98	41.59	16.24
	-11.8	-13	52.32	21.42	52.13	21.20	49.20	19.36	47.25	18.48	45.49	17.63	41.59	15.94
	-9.8	-11	53.10	21.45	52.91	20.77	49.20	19.01	47.25	18.13	45.49	17.30	41.59	15.64
	-9.5	-10	53.50	21.47	52.91	20.57	49.20	18.81	47.25	17.95	45.49	17.12	41.59	15.49
	-8.5	-9.1	53.89	21.50	52.91	20.39	49.20	18.66	47.25	17.80	45.49	16.97	41.59	15.36
	-7	-7.6	54.47	21.52	52.91	20.09	49.20	18.41	47.25	17.58	45.49	16.75	41.59	15.16
	-5	-5.6	56.81	21.10	52.91	19.44	49.20	17.83	47.25	17.02	45.49	16.27	41.59	14.73
	-3	-3.7	56.81	21.83	52.91	20.12	49.20	18.46	47.25	17.63	45.49	16.82	41.59	15.26
	0	-0.7	56.81	22.93	52.91	21.15	49.20	19.39	47.25	18.53	45.49	17.70	41.59	16.07
	3	2.2	56.81	19.91	52.91	18.38	49.20	16.90	47.25	16.17	45.49	15.46	41.59	14.06
	5	4.1	56.81	18.20	52.91	16.90	49.20	15.61	47.25	14.99	45.49	14.36	41.59	13.15
7	6	56.81	15.97	52.91	14.91	49.20	13.85	47.25	13.33	45.49	12.82	41.59	11.82	
9	7.9	56.81	15.14	52.91	14.21	49.20	13.28	47.25	12.82	45.49	12.35	41.59	11.47	
11	9.8	56.81	14.38	52.91	13.55	49.20	12.75	47.25	12.35	45.49	11.94	41.59	11.16	
13	11.8	56.81	13.73	52.91	13.00	49.20	12.30	47.25	11.94	45.49	11.59	41.59	10.89	
15	13.7	56.81	13.25	52.91	12.60	49.20	11.97	47.25	11.67	45.49	11.34	41.59	10.71	

**Abbreviations:**

- CR: Combination ratio
- TC: Total capacity (kW)
- PI: Power input (compressor + outdoor fan motor) (kW)

**Notes:**

1. Shaded cells indicate rating condition.

Table continued on next page ...



Table 2-8.21: 22HP heating capacity (continued)

CR	Outdoor air temp.		Indoor air temp. °C DB											
			16.0		18.0		20.0		21.0		22.0		24.0	
	°C DB	°C WB	TC	PI	TC	PI	TC	PI	TC	PI	TC	PI	TC	PI
70%	-25	-25.4	49.28	21.76	46.27	20.01	43.15	18.34	41.39	17.51	39.83	16.71	36.51	15.12
	-19.8	-20	49.20	21.31	46.27	19.61	43.15	17.98	41.39	17.16	39.83	16.37	36.51	14.82
	-18.8	-19	49.59	21.08	46.27	19.40	43.15	17.77	41.39	16.98	39.83	16.22	36.51	14.69
	-16.7	-17	49.59	20.65	46.27	19.02	43.15	17.44	41.39	16.65	39.83	15.89	36.51	14.41
	-13.7	-15	49.59	20.24	46.27	18.64	43.15	17.09	41.39	16.35	39.83	15.58	36.51	14.13
	-11.8	-13	49.59	19.84	46.27	18.28	43.15	16.78	41.39	16.02	39.83	15.30	36.51	13.88
	-9.8	-11	49.59	19.45	46.27	17.93	43.15	16.45	41.39	15.74	39.83	15.02	36.51	13.62
	-9.5	-10	49.59	19.28	46.27	17.77	43.15	16.30	41.39	15.58	39.83	14.87	36.51	13.52
	-8.5	-9.1	49.59	19.10	46.27	17.62	43.15	16.17	41.39	15.46	39.83	14.77	36.51	13.39
	-7	-7.6	49.59	18.84	46.27	17.37	43.15	15.94	41.39	15.25	39.83	14.57	36.51	13.22
	-5	-5.6	49.59	18.26	46.27	16.86	43.15	15.51	41.39	14.85	39.83	14.18	36.51	12.91
	-3	-3.7	49.59	18.89	46.27	17.44	43.15	16.04	41.39	15.35	39.83	14.69	36.51	13.37
	0	-0.7	49.59	19.86	46.27	18.36	43.15	16.88	41.39	16.17	39.83	15.46	36.51	14.08
	3	2.2	49.59	17.29	46.27	16.02	43.15	14.77	41.39	14.16	39.83	13.55	36.51	12.38
	5	4.1	49.59	15.97	46.27	14.87	43.15	13.78	41.39	13.24	39.83	12.71	36.51	11.66
7	6	49.59	14.16	46.27	13.24	43.15	12.35	41.39	11.89	39.83	11.46	36.51	10.59	
9	7.9	49.59	13.55	46.27	12.73	43.15	11.94	41.39	14.11	39.83	11.15	36.51	10.39	
11	9.8	49.59	13.01	46.27	12.30	43.15	11.59	41.39	11.25	39.83	10.90	36.51	10.21	
13	11.8	49.59	12.53	46.27	11.92	43.15	11.28	41.39	10.97	39.83	10.67	36.51	10.06	
15	13.7	49.59	12.20	46.27	11.64	43.15	11.10	41.39	10.82	39.83	10.54	36.51	10.01	
60%	-25	-25.4	42.56	18.13	39.83	16.71	36.90	15.35	35.53	14.68	33.97	14.03	31.24	12.75
	-19.8	-20	42.56	17.75	39.83	16.37	36.90	15.05	35.53	14.39	33.97	13.75	31.24	12.50
	-18.8	-19	42.56	17.57	39.83	16.22	36.90	14.90	35.53	14.26	33.97	13.62	31.24	12.40
	-16.7	-17	42.56	17.21	39.83	15.89	36.90	14.62	35.53	13.98	33.97	13.37	31.24	12.17
	-13.7	-15	42.56	16.88	39.83	15.58	36.90	14.34	35.53	13.72	33.97	13.14	31.24	11.94
	-11.8	-13	42.56	16.55	39.83	15.30	36.90	14.08	35.53	13.47	33.97	12.88	31.24	11.74
	-9.8	-11	42.56	16.25	39.83	15.02	36.90	13.83	35.53	13.24	33.97	12.66	31.24	11.54
	-9.5	-10	42.56	16.09	39.83	14.87	36.90	13.70	35.53	13.11	33.97	12.55	31.24	11.43
	-8.5	-9.1	42.56	15.99	39.83	14.77	36.90	13.60	35.53	13.01	33.97	12.45	31.24	11.36
	-7	-7.6	42.56	15.74	39.83	14.57	36.90	13.42	35.53	12.86	33.97	12.30	31.24	11.20
	-5	-5.6	42.56	15.30	39.83	14.18	36.90	13.09	35.53	12.55	33.97	12.02	31.24	10.97
	-3	-3.7	42.56	15.86	39.83	14.69	36.90	13.55	35.53	13.01	33.97	12.45	31.24	11.38
	0	-0.7	42.56	16.68	39.83	15.46	36.90	14.29	35.53	13.70	33.97	13.11	31.24	11.99
	3	2.2	42.56	14.59	39.83	13.55	36.90	12.53	35.53	12.04	33.97	11.54	31.24	10.57
	5	4.1	42.56	13.62	39.83	12.71	36.90	11.82	35.53	11.38	33.97	10.95	31.24	10.08
7	6	42.56	12.22	39.83	11.46	36.90	10.72	35.53	10.34	33.97	9.98	31.24	9.27	
9	7.9	42.56	11.84	39.83	11.15	36.90	10.49	35.53	10.16	33.97	9.85	31.24	9.19	
11	9.8	42.56	11.48	39.83	10.90	36.90	10.31	35.53	10.01	33.97	9.73	31.24	9.14	
13	11.8	42.56	11.20	39.83	10.67	36.90	10.16	35.53	9.88	33.97	9.63	31.24	9.12	
15	13.7	42.56	11.03	39.83	10.54	36.90	10.08	35.53	9.85	33.97	9.63	31.24	9.14	
50%	-25	-25.4	35.53	14.65	33.19	13.58	30.85	12.52	29.48	13.10	28.31	11.50	25.97	10.51
	-19.8	-20	35.53	14.39	33.19	13.34	30.85	12.30	29.48	11.82	28.31	11.31	25.97	10.34
	-18.8	-19	35.53	14.26	33.19	13.22	30.85	12.20	29.48	14.23	28.31	11.20	25.97	10.24
	-16.7	-17	35.53	13.98	33.19	12.96	30.85	11.97	29.48	11.48	28.31	11.00	25.97	10.06
	-13.7	-15	35.53	13.72	33.19	12.73	30.85	11.76	29.48	11.28	28.31	10.82	25.97	9.88
	-11.8	-13	35.53	13.47	33.19	12.50	30.85	11.56	29.48	11.08	28.31	10.62	25.97	9.73
	-9.8	-11	35.53	13.24	33.19	12.30	30.85	11.36	29.48	10.90	28.31	10.44	25.97	9.55
	-9.5	-10	35.53	13.11	33.19	12.17	30.85	11.25	29.48	10.80	28.31	10.36	25.97	9.47
	-8.5	-9.1	35.53	13.01	33.19	12.10	30.85	11.18	29.48	10.72	28.31	10.29	25.97	9.42
	-7	-7.6	35.53	12.86	33.19	11.94	30.85	11.03	29.48	10.59	28.31	10.16	25.97	9.29
	-5	-5.6	35.53	12.55	33.19	11.66	30.85	10.80	29.48	10.39	28.31	9.96	25.97	9.14
	-3	-3.7	35.53	13.01	33.19	12.10	30.85	11.20	29.48	10.77	28.31	10.34	25.97	9.47
	0	-0.7	35.53	13.70	33.19	12.73	30.85	11.82	29.48	11.36	28.31	10.90	25.97	10.01
	3	2.2	35.53	12.04	33.19	11.23	30.85	10.41	29.48	10.03	28.31	9.63	25.97	8.86
	5	4.1	35.53	11.38	33.19	10.64	30.85	9.96	29.48	9.60	28.31	9.24	25.97	8.56
7	6	35.53	10.34	33.19	9.75	30.85	9.14	29.48	8.86	28.31	8.56	25.97	7.97	
9	7.9	35.53	10.16	33.19	9.63	30.85	9.09	29.48	8.84	28.31	8.56	25.97	8.05	
11	9.8	35.53	10.01	33.19	9.52	30.85	9.04	29.48	8.81	28.31	8.58	25.97	8.10	
13	11.8	35.53	9.88	33.19	9.45	30.85	9.04	29.48	8.81	28.31	8.58	25.97	8.20	
15	13.7	35.53	9.85	33.19	9.45	30.85	9.07	29.48	8.89	28.31	8.71	25.97	8.33	

Abbreviations:

CR: Combination ratio

TC: Total capacity (kW)

PI: Power input (compressor + outdoor fan motor) (kW)

Notes:

1. Shaded cells indicate rating condition.



Table 2-8.22: 24HP heating capacity

CR	Outdoor air temp.		Indoor air temp. °C DB											
			16.0		18.0		20.0		21.0		22.0		24.0	
	°C DB	°C WB	TC	PI	TC	PI	TC	PI	TC	PI	TC	PI	TC	PI
130%	-25	-25.4	54.00	18.27	53.79	18.44	53.58	18.64	53.41	18.75	53.37	18.87	53.07	19.12
	-19.8	-20	54.94	18.30	54.72	18.49	54.51	18.67	54.30	18.79	54.30	18.91	54.09	19.16
	-18.8	-19	55.36	18.33	55.15	18.49	54.94	18.70	54.94	18.81	54.72	18.93	54.51	19.16
	-16.7	-17	56.21	18.35	56.00	18.53	55.79	18.72	55.79	18.84	55.57	18.95	55.36	19.21
	-13.7	-15	57.06	18.37	56.85	18.56	56.63	18.77	56.63	18.88	56.42	19.00	56.21	19.23
	-11.8	-13	57.91	18.42	57.69	18.60	57.48	18.79	57.48	18.91	57.27	19.02	57.27	19.28
	-9.8	-11	58.76	18.44	58.54	18.63	58.33	18.84	58.33	18.93	58.33	19.04	58.12	19.30
	-9.5	-10	59.18	18.46	58.97	18.63	58.97	18.84	58.76	18.95	58.76	19.07	58.54	19.32
	-8.5	-9.1	59.60	18.46	59.39	18.65	59.18	18.86	59.18	18.98	59.18	19.09	58.97	19.35
	-7	-7.6	60.24	18.49	60.03	18.67	60.03	18.88	59.82	19.00	59.82	19.11	59.60	19.37
	-5	-5.6	64.91	19.83	64.69	20.04	64.48	20.25	64.48	20.39	64.27	20.51	64.06	20.76
	-3	-3.7	65.75	20.88	65.54	21.11	65.33	21.34	65.33	21.46	65.12	21.60	64.91	21.87
	0	-0.7	67.03	22.55	66.82	22.80	66.60	23.06	66.60	23.17	66.39	23.31	66.39	23.61
	3	2.2	73.18	22.13	73.18	22.36	72.97	22.62	72.75	22.73	72.75	22.87	72.54	22.62
	5	4.1	92.06	27.37	91.84	27.21	86.97	24.89	83.57	23.75	80.18	22.64	73.60	20.46
	7	6	100.33	25.01	93.54	23.10	86.97	21.25	83.57	20.34	80.18	19.44	73.60	17.70
9	7.9	100.33	22.83	93.54	21.20	86.97	19.60	83.57	18.84	80.18	18.07	73.60	16.54	
11	9.8	100.33	20.92	93.54	19.51	86.97	18.16	83.57	17.51	80.18	16.84	73.60	15.52	
13	11.8	100.33	19.28	93.54	18.07	86.97	16.91	83.57	16.33	80.18	15.75	73.60	14.61	
15	13.7	100.33	18.02	93.54	16.98	86.97	15.96	83.57	15.45	80.18	14.94	73.60	13.94	
120%	-25	-25.4	54.17	19.09	53.95	19.28	112.98	19.49	53.74	19.60	53.51	19.73	53.36	19.99
	-19.8	-20	54.88	19.11	54.66	19.30	54.45	19.52	54.45	19.64	54.24	19.76	54.03	20.02
	-18.8	-19	55.30	19.13	55.09	19.33	54.88	19.54	54.88	19.64	54.66	19.78	54.45	20.02
	-16.7	-17	56.15	19.16	55.94	19.35	55.73	19.56	55.73	19.68	55.51	19.80	55.51	20.07
	-13.7	-15	57.00	19.18	56.79	19.40	56.58	19.61	56.58	19.71	56.58	19.85	56.37	20.09
	-11.8	-13	57.85	19.23	57.64	19.42	59.13	19.64	57.43	19.76	57.43	19.88	57.22	20.14
	-9.8	-11	58.70	19.25	58.49	19.45	58.49	19.66	58.28	19.78	58.28	19.90	58.07	20.16
	-9.5	-10	59.13	19.28	58.92	19.47	58.92	19.68	58.70	19.80	58.70	19.92	58.49	20.19
	-8.5	-9.1	59.56	19.28	59.34	19.49	59.34	19.71	59.13	19.83	59.13	19.95	58.92	20.19
	-7	-7.6	60.19	19.30	59.98	19.52	59.98	19.73	59.77	19.85	59.77	19.97	59.56	20.21
	-5	-5.6	64.87	20.71	64.66	20.93	64.45	21.17	64.45	21.29	64.45	21.41	64.23	21.67
	-3	-3.7	65.72	21.82	65.51	22.06	65.30	22.29	65.30	22.41	65.09	22.56	65.09	22.82
	0	-0.7	67.00	23.56	66.79	23.80	66.57	24.07	66.57	24.21	66.57	24.35	66.36	24.50
	3	2.2	73.17	23.13	73.17	23.35	72.96	23.61	72.74	23.73	72.74	23.56	68.06	21.22
	5	4.1	92.10	27.73	86.57	25.50	80.40	23.37	77.21	22.32	74.23	21.29	68.06	19.28
	7	6	92.74	23.56	86.57	21.79	80.40	20.07	77.21	19.23	74.23	18.42	68.06	16.79
9	7.9	92.74	21.62	86.57	20.12	80.40	18.65	77.21	17.91	74.23	17.19	68.06	15.78	
11	9.8	92.74	19.95	86.57	18.65	80.40	17.39	77.21	16.76	74.23	16.14	68.06	14.90	
13	11.8	92.74	18.46	86.57	17.36	80.40	16.26	77.21	15.71	74.23	15.18	68.06	14.10	
15	13.7	92.74	17.36	86.57	16.40	80.40	15.42	77.21	14.94	74.23	14.49	68.06	13.55	
110%	-25	-25.4	53.87	19.59	53.63	19.80	53.37	20.01	53.45	20.12	53.26	20.26	53.24	20.51
	-19.8	-20	54.66	19.61	54.45	19.83	54.24	20.05	54.24	20.15	54.03	20.29	54.03	20.54
	-18.8	-19	55.09	19.64	54.88	19.83	54.66	20.05	54.66	20.17	54.45	20.29	54.45	20.56
	-16.7	-17	55.94	19.66	55.73	19.88	55.51	20.10	55.51	20.22	55.51	20.34	55.30	20.59
	-13.7	-15	56.79	19.71	56.58	19.91	56.37	20.12	56.37	20.25	56.37	20.37	56.15	20.63
	-11.8	-13	57.64	19.74	57.43	19.95	57.43	20.17	57.22	20.29	57.22	20.42	57.00	20.66
	-9.8	-11	58.49	19.78	58.28	19.98	58.28	20.20	58.07	20.32	58.07	20.44	57.85	20.71
	-9.5	-10	58.92	19.78	58.92	20.00	58.70	20.22	58.49	20.34	58.49	20.46	58.28	20.71
	-8.5	-9.1	59.34	19.81	59.13	20.00	59.13	20.25	58.92	20.34	58.92	20.46	58.70	20.73
	-7	-7.6	59.98	19.83	59.77	20.03	59.77	20.27	59.56	20.37	59.56	20.49	59.34	20.76
	-5	-5.6	64.66	21.29	64.45	21.51	64.23	21.73	64.23	21.85	64.23	21.97	62.32	20.59
	-3	-3.7	65.51	22.41	65.30	22.65	65.09	22.89	65.09	23.01	65.09	23.13	62.32	21.29
	0	-0.7	66.79	24.20	66.57	24.45	66.57	24.71	66.36	24.86	66.36	24.83	62.32	22.36
	3	2.2	72.96	23.74	72.96	23.98	72.74	23.67	70.83	22.58	68.06	21.51	62.32	19.40
	5	4.1	85.08	25.32	79.34	23.33	73.81	21.41	70.83	22.89	68.06	19.54	62.32	17.75
	7	6	85.08	21.65	79.34	20.08	73.81	18.52	70.83	17.77	68.06	17.02	62.32	15.56
9	7.9	85.08	20.03	79.34	18.64	73.81	17.31	70.83	16.65	68.06	16.00	62.32	14.74	
11	9.8	85.08	18.59	79.34	17.41	73.81	16.24	70.83	15.68	68.06	15.10	62.32	13.98	
13	11.8	85.08	17.31	79.34	16.29	73.81	15.29	70.83	14.81	68.06	14.30	62.32	13.33	
15	13.7	85.08	16.39	79.34	15.49	73.81	14.59	70.83	14.15	68.06	13.74	62.32	12.87	

**Abbreviations:**

CR: Combination ratio

TC: Total capacity (kW)

PI: Power input (compressor + outdoor fan motor) (kW)

**Notes:**

1. Shaded cells indicate rating condition.

Table continued on next page ...

# V6-i VRF 50/60Hz



Table 2-8.22: 24HP heating capacity (continued)

CR	Outdoor air temp.		Indoor air temp. °C DB											
			16.0		18.0		20.0		21.0		22.0		24.0	
	°C DB	°C WB	TC	PI	TC	PI	TC	PI	TC	PI	TC	PI	TC	PI
100%	-25	-25.4	54.45	19.91	54.24	20.10	54.03	20.32	54.03	20.44	54.03	20.56	53.81	20.83
	-19.8	-20	54.88	19.91	54.66	20.12	54.45	20.34	54.45	20.46	54.45	20.59	54.24	20.83
	-18.8	-19	55.73	19.95	55.51	20.17	55.30	20.39	55.30	20.49	55.30	20.61	55.09	20.85
	-16.7	-17	56.58	19.98	56.37	20.20	56.37	20.42	56.15	20.54	56.15	20.66	55.94	20.42
	-13.7	-15	57.43	20.03	57.22	20.22	57.22	20.46	57.00	20.56	57.00	20.68	56.79	20.00
	-11.8	-13	58.28	20.05	58.07	20.27	58.07	20.49	57.85	20.61	57.85	20.71	56.79	19.61
	-9.8	-11	58.70	20.08	58.70	20.29	58.49	20.51	58.49	20.61	58.28	20.73	56.79	19.42
	-9.5	-10	59.13	20.10	58.92	20.29	58.92	20.51	58.70	20.63	58.70	20.76	56.79	19.25
	-8.5	-9.1	59.77	20.12	59.77	20.32	59.56	20.54	59.34	20.66	59.34	20.78	56.79	18.98
	-7	-7.6	64.45	20.15	64.23	20.33	64.23	20.55	64.02	21.41	61.90	20.37	56.79	18.38
	-5	-5.6	65.30	20.17	65.09	20.34	65.09	20.56	64.45	22.14	61.90	21.07	56.79	19.01
	-3	-3.7	66.57	20.20	66.36	20.35	66.36	19.88	64.45	20.83	61.90	22.14	56.79	19.98
	0	-0.7	68.28	20.22	72.10	20.36	67.00	19.33	64.45	21.90	61.90	20.88	56.79	18.76
	3	2.2	72.74	21.49	72.10	19.86	67.00	18.77	64.45	20.15	61.90	19.23	56.79	17.38
	5	4.1	77.21	20.38	72.10	18.89	67.00	17.89	64.45	18.40	61.90	17.58	56.79	16.00
7	6	77.21	19.26	72.10	17.92	67.00	16.75	64.45	16.09	61.90	15.41	56.79	14.13	
9	7.9	77.21	18.16	72.10	16.97	67.00	15.78	64.45	15.20	61.90	14.61	56.79	13.47	
11	9.8	77.21	16.99	72.10	15.92	67.00	14.91	64.45	14.40	61.90	13.89	56.79	12.89	
13	11.8	77.21	15.92	72.10	15.03	67.00	14.13	64.45	13.69	61.90	13.25	56.79	12.38	
15	13.7	77.21	15.15	72.10	14.37	67.00	13.57	64.45	13.18	61.90	12.79	56.79	12.02	
90%	-25	-25.4	53.25	20.19	52.96	20.37	52.79	20.60	52.75	21.01	53.59	21.39	51.05	19.34
	-19.8	-20	54.24	20.22	54.03	20.42	53.81	20.63	53.81	20.76	53.81	20.88	51.05	18.93
	-18.8	-19	54.66	20.25	54.45	20.44	54.24	20.66	54.24	20.78	54.24	20.80	51.05	18.74
	-16.7	-17	55.51	20.27	55.30	20.46	55.30	20.68	55.09	20.80	55.09	20.39	51.05	18.35
	-13.7	-15	56.37	20.29	56.15	20.51	56.15	20.73	55.94	20.83	55.73	19.98	51.05	17.99
	-11.8	-13	57.22	20.34	57.00	20.54	57.00	20.76	56.79	20.56	55.73	19.57	51.05	17.65
	-9.8	-11	58.07	20.37	58.07	20.59	57.85	20.78	57.85	20.15	55.73	19.20	51.05	17.31
	-9.5	-10	58.49	20.39	58.49	20.59	58.28	20.80	58.07	19.95	55.73	19.01	51.05	17.14
	-8.5	-9.1	58.92	20.42	58.70	20.61	58.70	20.76	58.07	19.78	55.73	18.84	51.05	16.99
	-7	-7.6	59.56	20.44	59.56	20.63	59.34	20.46	58.07	19.52	55.73	18.57	51.05	16.75
	-5	-5.6	64.23	20.47	64.02	20.66	60.41	19.76	58.07	18.86	55.73	17.99	51.05	16.26
	-3	-3.7	65.09	20.50	64.87	20.68	60.41	20.44	58.07	19.52	55.73	18.62	51.05	16.82
	0	-0.7	66.36	20.53	64.87	20.70	60.41	21.48	58.07	20.51	55.73	19.57	51.05	17.70
	3	2.2	69.55	20.56	64.87	20.34	60.41	18.67	58.07	17.84	55.73	17.02	51.05	15.44
	5	4.1	69.55	20.05	64.87	18.57	60.41	17.11	58.07	16.39	55.73	15.68	51.05	14.32
7	6	69.55	17.43	64.87	16.22	60.41	15.03	58.07	14.44	55.73	13.89	51.05	12.74	
9	7.9	69.55	16.36	64.87	15.32	60.41	14.27	58.07	13.76	55.73	13.25	51.05	12.26	
11	9.8	69.55	15.41	64.87	14.49	60.41	13.59	58.07	13.13	55.73	12.70	51.05	11.82	
13	11.8	69.55	14.57	64.87	13.76	60.41	12.99	58.07	12.60	55.73	12.21	51.05	11.43	
15	13.7	69.55	13.96	64.87	13.25	60.41	12.55	58.07	12.21	55.73	11.87	51.05	11.17	
80%	-25	-25.4	53.03	20.27	52.82	20.82	53.60	20.26	51.47	19.32	49.56	18.41	45.30	16.61
	-19.8	-20	54.03	20.30	53.81	20.52	53.60	19.82	51.47	18.91	49.56	18.03	45.30	16.28
	-18.8	-19	54.45	20.33	54.24	20.52	53.60	19.63	51.47	18.72	49.56	17.83	45.30	16.11
	-16.7	-17	55.30	20.35	55.09	20.57	53.60	19.23	51.47	18.34	49.56	17.48	45.30	15.77
	-13.7	-15	56.15	20.40	55.94	20.59	53.60	18.84	51.47	17.98	49.56	17.14	45.30	15.49
	-11.8	-13	57.00	20.42	56.79	20.21	53.60	18.46	51.47	17.62	49.56	16.80	45.30	15.20
	-9.8	-11	57.85	20.45	57.64	19.80	53.60	18.12	51.47	17.28	49.56	16.49	45.30	14.91
	-9.5	-10	58.28	20.47	57.64	19.61	53.60	17.93	51.47	17.12	49.56	16.32	45.30	14.77
	-8.5	-9.1	58.70	20.50	57.64	19.44	53.60	17.79	51.47	16.97	49.56	16.18	45.30	14.65
	-7	-7.6	59.34	20.52	57.64	19.15	53.60	17.55	51.47	16.76	49.56	15.96	45.30	14.45
	-5	-5.6	61.90	20.11	57.64	18.53	53.60	17.00	51.47	16.23	49.56	15.51	45.30	14.05
	-3	-3.7	61.90	20.81	57.64	19.18	53.60	17.59	51.47	16.80	49.56	16.04	45.30	14.55
	0	-0.7	61.90	21.86	57.64	20.16	53.60	18.48	51.47	17.67	49.56	16.88	45.30	15.32
	3	2.2	61.90	18.99	57.64	17.52	53.60	16.11	51.47	15.41	49.56	14.74	45.30	13.40
	5	4.1	61.90	17.36	57.64	16.11	53.60	14.89	51.47	14.29	49.56	13.69	45.30	12.54
7	6	61.90	15.22	57.64	14.22	53.60	13.21	51.47	12.70	49.56	12.23	45.30	11.27	
9	7.9	61.90	14.43	57.64	13.54	53.60	12.66	51.47	12.23	49.56	11.77	45.30	10.93	
11	9.8	61.90	13.71	57.64	12.92	53.60	12.15	51.47	11.77	49.56	11.39	45.30	10.64	
13	11.8	61.90	13.09	57.64	12.39	53.60	11.72	51.47	11.39	49.56	11.05	45.30	10.38	
15	13.7	61.90	12.63	57.64	12.01	53.60	11.41	51.47	11.12	49.56	10.81	45.30	10.21	

**Abbreviations:**

- CR: Combination ratio
- TC: Total capacity (kW)
- PI: Power input (compressor + outdoor fan motor) (kW)

**Notes:**

1. Shaded cells indicate rating condition.

Table continued on next page ...

Table 2-8.22: 24HP heating capacity (continued)

CR	Outdoor air temp.		Indoor air temp. °C DB											
			16.0		18.0		20.0		21.0		22.0		24.0	
	°C DB	°C WB	TC	PI	TC	PI	TC	PI	TC	PI	TC	PI	TC	PI
70%	-25	-25.4	53.69	20.75	50.41	19.08	47.01	17.48	45.09	16.69	43.39	15.93	39.77	14.41
	-19.8	-20	53.60	20.32	50.41	18.69	47.01	17.14	45.09	16.36	43.39	15.61	39.77	14.13
	-18.8	-19	54.03	20.10	50.41	18.50	47.01	16.94	45.09	16.19	43.39	15.46	39.77	14.01
	-16.7	-17	54.03	19.69	50.41	18.13	47.01	16.63	45.09	15.88	43.39	15.15	39.77	13.74
	-13.7	-15	54.03	19.30	50.41	17.77	47.01	16.29	45.09	15.58	43.39	14.86	39.77	13.47
	-11.8	-13	54.03	18.91	50.41	17.43	47.01	16.00	45.09	15.27	43.39	14.59	39.77	13.23
	-9.8	-11	54.03	18.55	50.41	17.09	47.01	15.68	45.09	15.00	43.39	14.32	39.77	12.99
	-9.5	-10	54.03	18.38	50.41	16.94	47.01	15.54	45.09	14.86	43.39	14.18	39.77	12.89
	-8.5	-9.1	54.03	18.21	50.41	16.80	47.01	15.41	45.09	14.74	43.39	14.08	39.77	12.77
	-7	-7.6	54.03	17.96	50.41	16.56	47.01	15.20	45.09	14.54	43.39	13.89	39.77	12.60
	-5	-5.6	54.03	17.41	50.41	16.07	47.01	14.78	45.09	14.15	43.39	13.52	39.77	12.31
	-3	-3.7	54.03	18.01	50.41	16.63	47.01	15.29	45.09	14.64	43.39	14.01	39.77	12.74
	0	-0.7	54.03	18.93	50.41	17.50	47.01	16.09	45.09	15.41	43.39	14.74	39.77	13.42
	3	2.2	54.03	16.48	50.41	15.27	47.01	14.08	45.09	13.50	43.39	12.91	39.77	11.80
	5	4.1	54.03	15.22	50.41	14.18	47.01	13.13	45.09	12.62	43.39	12.11	39.77	11.12
	7	6	54.03	13.50	50.41	12.62	47.01	11.77	45.09	11.34	43.39	10.92	39.77	10.10
9	7.9	54.03	12.91	50.41	12.14	47.01	11.39	45.09	13.45	43.39	10.63	39.77	9.90	
11	9.8	54.03	12.40	50.41	11.73	47.01	11.05	45.09	10.73	43.39	10.39	39.77	9.73	
13	11.8	54.03	11.94	50.41	11.36	47.01	10.75	45.09	10.46	43.39	10.17	39.77	9.59	
15	13.7	54.03	11.63	50.41	11.09	47.01	10.58	45.09	10.32	43.39	10.05	39.77	9.54	
60%	-25	-25.4	46.37	17.28	43.39	15.93	40.20	14.63	38.71	13.99	37.01	13.37	34.03	12.16
	-19.8	-20	46.37	16.92	43.39	15.61	40.20	14.35	38.71	13.72	37.01	13.11	34.03	11.92
	-18.8	-19	46.37	16.75	43.39	15.46	40.20	14.20	38.71	13.59	37.01	12.99	34.03	11.82
	-16.7	-17	46.37	16.41	43.39	15.15	40.20	13.93	38.71	13.33	37.01	12.74	34.03	11.60
	-13.7	-15	46.37	16.09	43.39	14.86	40.20	13.67	38.71	13.08	37.01	12.53	34.03	11.39
	-11.8	-13	46.37	15.78	43.39	14.59	40.20	13.42	38.71	12.84	37.01	12.28	34.03	11.19
	-9.8	-11	46.37	15.49	43.39	14.32	40.20	13.18	38.71	12.62	37.01	12.06	34.03	11.00
	-9.5	-10	46.37	15.34	43.39	14.18	40.20	13.06	38.71	12.50	37.01	11.97	34.03	10.90
	-8.5	-9.1	46.37	15.24	43.39	14.08	40.20	12.96	38.71	12.40	37.01	11.87	34.03	10.83
	-7	-7.6	46.37	15.00	43.39	13.89	40.20	12.79	38.71	12.26	37.01	11.73	34.03	10.68
	-5	-5.6	46.37	14.59	43.39	13.52	40.20	12.48	38.71	11.97	37.01	11.46	34.03	10.46
	-3	-3.7	46.37	15.12	43.39	14.01	40.20	12.91	38.71	12.40	37.01	11.87	34.03	10.85
	0	-0.7	46.37	15.90	43.39	14.74	40.20	13.62	38.71	13.06	37.01	12.50	34.03	11.43
	3	2.2	46.37	13.91	43.39	12.91	40.20	11.94	38.71	11.48	37.01	11.00	34.03	10.07
	5	4.1	46.37	12.99	43.39	12.11	40.20	11.26	38.71	10.85	37.01	10.44	34.03	9.61
	7	6	46.37	11.65	43.39	10.92	40.20	10.22	38.71	9.86	37.01	9.52	34.03	8.84
9	7.9	46.37	11.29	43.39	10.63	40.20	10.00	38.71	9.69	37.01	9.39	34.03	8.76	
11	9.8	46.37	10.95	43.39	10.39	40.20	9.83	38.71	9.54	37.01	9.27	34.03	8.71	
13	11.8	46.37	10.68	43.39	10.17	40.20	9.69	38.71	9.42	37.01	9.18	34.03	8.69	
15	13.7	46.37	10.51	43.39	10.05	40.20	9.61	38.71	9.39	37.01	9.18	34.03	8.71	
50%	-25	-25.4	38.71	13.97	36.16	12.94	33.61	11.93	32.12	12.49	30.84	10.96	28.29	10.02
	-19.8	-20	38.71	13.72	36.16	12.72	33.61	11.73	32.12	11.26	30.84	10.78	28.29	9.86
	-18.8	-19	38.71	13.59	36.16	12.60	33.61	11.63	32.12	13.57	30.84	10.68	28.29	9.76
	-16.7	-17	38.71	13.33	36.16	12.36	33.61	11.41	32.12	10.95	30.84	10.49	28.29	9.59
	-13.7	-15	38.71	13.08	36.16	12.14	33.61	11.22	32.12	10.75	30.84	10.32	28.29	9.42
	-11.8	-13	38.71	12.84	36.16	11.92	33.61	11.02	32.12	10.56	30.84	10.12	28.29	9.27
	-9.8	-11	38.71	12.62	36.16	11.73	33.61	10.83	32.12	10.39	30.84	9.95	28.29	9.10
	-9.5	-10	38.71	12.50	36.16	11.60	33.61	10.73	32.12	10.29	30.84	9.88	28.29	9.03
	-8.5	-9.1	38.71	12.40	36.16	11.53	33.61	10.66	32.12	10.22	30.84	9.81	28.29	8.98
	-7	-7.6	38.71	12.26	36.16	11.39	33.61	10.51	32.12	10.10	30.84	9.69	28.29	8.86
	-5	-5.6	38.71	11.97	36.16	11.12	33.61	10.29	32.12	9.90	30.84	9.49	28.29	8.71
	-3	-3.7	38.71	12.40	36.16	11.53	33.61	10.68	32.12	10.27	30.84	9.86	28.29	9.03
	0	-0.7	38.71	13.06	36.16	12.14	33.61	11.26	32.12	10.83	30.84	10.39	28.29	9.54
	3	2.2	38.71	11.48	36.16	10.71	33.61	9.93	32.12	9.56	30.84	9.18	28.29	8.45
	5	4.1	38.71	10.85	36.16	10.15	33.61	9.49	32.12	9.15	30.84	8.81	28.29	8.16
	7	6	38.71	9.86	36.16	9.30	33.61	8.71	32.12	8.45	30.84	8.16	28.29	7.60
9	7.9	38.71	9.69	36.16	9.18	33.61	8.67	32.12	8.42	30.84	8.16	28.29	7.67	
11	9.8	38.71	9.54	36.16	9.08	33.61	8.62	32.12	8.40	30.84	8.18	28.29	7.72	
13	11.8	38.71	9.42	36.16	9.01	33.61	8.62	32.12	8.40	30.84	8.18	28.29	7.82	
15	13.7	38.71	9.39	36.16	9.01	33.61	8.64	32.12	8.47	30.84	8.30	28.29	7.94	

**Abbreviations:**

CR: Combination ratio

TC: Total capacity (kW)

PI: Power input (compressor + outdoor fan motor) (kW)

**Notes:**

1. Shaded cells indicate rating condition.

Table 2-8.23: 26HP heating capacity

CR	Outdoor air temp.		Indoor air temp. °C DB											
			16.0		18.0		20.0		21.0		22.0		24.0	
	°C DB	°C WB	TC	PI	TC	PI	TC	PI	TC	PI	TC	PI	TC	PI
130%	-25	-25.4	58.84	19.66	58.61	19.84	58.38	20.05	58.19	20.18	58.15	20.30	57.82	20.57
	-19.8	-20	59.86	19.69	59.63	19.89	59.39	20.09	59.16	20.21	59.16	20.34	58.93	20.61
	-18.8	-19	60.32	19.72	60.09	19.89	59.86	20.11	59.86	20.24	59.63	20.36	59.39	20.61
	-16.7	-17	61.24	19.74	61.01	19.94	60.78	20.14	60.78	20.26	60.55	20.39	60.32	20.66
	-13.7	-15	62.17	19.77	61.94	19.96	61.71	20.19	61.71	20.31	61.47	20.44	61.24	20.69
	-11.8	-13	63.09	19.81	62.86	20.01	62.63	20.21	62.63	20.34	62.40	20.46	62.40	20.74
	-9.8	-11	64.02	19.84	63.79	20.04	63.55	20.26	63.55	20.36	63.55	20.49	63.32	20.76
	-9.5	-10	64.48	19.86	64.25	20.04	64.25	20.26	64.02	20.39	64.02	20.51	63.79	20.79
	-8.5	-9.1	64.94	19.86	64.71	20.06	64.48	20.29	64.48	20.41	64.48	20.54	64.25	20.81
	-7	-7.6	65.63	19.89	65.40	20.09	65.40	20.31	65.17	20.44	65.17	20.56	64.94	20.84
	-5	-5.6	70.72	21.34	70.49	21.56	70.26	21.79	70.26	21.94	70.03	22.06	69.79	22.34
	-3	-3.7	71.64	22.46	71.41	22.71	71.18	22.96	71.18	23.08	70.95	23.23	70.72	23.53
	0	-0.7	73.03	24.26	72.80	24.53	72.57	24.81	72.57	24.93	72.34	25.08	72.34	25.41
	3	2.2	79.73	23.81	79.73	24.06	79.50	24.33	79.27	24.46	79.27	24.61	79.04	24.33
	5	4.1	100.30	29.45	100.07	29.27	94.75	26.78	91.06	25.55	87.36	24.36	80.19	22.01
7	6	109.31	26.90	101.92	24.86	94.75	22.86	91.06	21.89	87.36	20.91	80.19	19.04	
9	7.9	109.31	24.56	101.92	22.81	94.75	21.09	91.06	20.26	87.36	19.44	80.19	17.79	
11	9.8	109.31	22.51	101.92	20.99	94.75	19.54	91.06	18.84	87.36	18.12	80.19	16.70	
13	11.8	109.31	20.74	101.92	19.44	94.75	18.19	91.06	17.57	87.36	16.95	80.19	15.72	
15	13.7	109.31	19.39	101.92	18.27	94.75	17.17	91.06	16.62	87.36	16.07	80.19	15.00	
120%	-25	-25.4	59.02	20.54	58.79	20.74	123.10	20.97	58.55	21.08	58.30	21.23	58.14	21.50
	-19.8	-20	59.79	20.56	59.56	20.76	59.33	21.00	59.33	21.13	59.10	21.25	58.86	21.54
	-18.8	-19	60.25	20.58	60.02	20.79	59.79	21.02	59.79	21.13	59.56	21.28	59.33	21.54
	-16.7	-17	61.18	20.61	60.95	20.82	60.72	21.05	60.72	21.18	60.49	21.31	60.49	21.59
	-13.7	-15	62.11	20.64	61.88	20.87	61.64	21.10	61.64	21.20	61.64	21.36	61.41	21.62
	-11.8	-13	63.03	20.69	62.80	20.89	64.43	21.13	62.57	21.25	62.57	21.38	62.34	21.67
	-9.8	-11	63.96	20.71	63.73	20.92	63.73	21.15	63.50	21.28	63.50	21.41	63.27	21.69
	-9.5	-10	64.43	20.74	64.19	20.95	64.19	21.18	63.96	21.31	63.96	21.43	63.73	21.72
	-8.5	-9.1	64.89	20.74	64.66	20.97	64.66	21.20	64.43	21.33	64.43	21.46	64.19	21.72
	-7	-7.6	65.58	20.76	65.35	21.00	65.35	21.23	65.12	21.36	65.12	21.49	64.89	21.74
	-5	-5.6	70.68	22.29	70.45	22.52	70.22	22.77	70.22	22.90	70.22	23.03	69.99	23.32
	-3	-3.7	71.61	23.47	71.38	23.73	71.15	23.99	71.15	24.11	70.91	24.27	70.91	24.55
	0	-0.7	73.00	25.35	72.77	25.61	72.54	25.89	72.54	26.05	72.54	26.20	72.30	26.36
	3	2.2	79.72	24.89	79.72	25.12	79.49	25.40	79.26	25.53	79.26	25.35	74.16	22.83
	5	4.1	100.35	29.83	94.32	27.44	87.60	25.14	84.12	24.01	80.88	22.90	74.16	20.74
7	6	101.04	25.35	94.32	23.44	87.60	21.59	84.12	20.69	80.88	19.81	74.16	18.06	
9	7.9	101.04	23.26	94.32	21.64	87.60	20.07	84.12	19.27	80.88	18.50	74.16	16.98	
11	9.8	101.04	21.46	94.32	20.07	87.60	18.70	84.12	18.03	80.88	17.36	74.16	16.02	
13	11.8	101.04	19.86	94.32	18.68	87.60	17.49	84.12	16.90	80.88	16.33	74.16	15.17	
15	13.7	101.04	18.68	94.32	17.65	87.60	16.59	84.12	16.08	80.88	15.59	74.16	14.58	
110%	-25	-25.4	58.70	21.07	58.43	21.30	58.15	21.53	58.23	21.65	58.03	21.79	58.00	22.06
	-19.8	-20	59.56	21.10	59.33	21.34	59.10	21.57	59.10	21.68	58.86	21.83	58.86	22.09
	-18.8	-19	60.02	21.13	59.79	21.34	59.56	21.57	59.56	21.70	59.33	21.83	59.33	22.12
	-16.7	-17	60.95	21.15	60.72	21.39	60.49	21.62	60.49	21.75	60.49	21.89	60.25	22.15
	-13.7	-15	61.88	21.21	61.64	21.42	61.41	21.65	61.41	21.78	61.41	21.91	61.18	22.20
	-11.8	-13	62.80	21.23	62.57	21.47	62.57	21.70	62.34	21.83	62.34	21.96	62.11	22.22
	-9.8	-11	63.73	21.28	63.50	21.49	63.50	21.73	63.27	21.86	63.27	21.99	63.03	22.28
	-9.5	-10	64.19	21.28	64.19	21.52	63.96	21.75	63.73	21.89	63.73	22.02	63.50	22.28
	-8.5	-9.1	64.66	21.31	64.43	21.52	64.43	21.78	64.19	21.89	64.19	22.02	63.96	22.30
	-7	-7.6	65.35	21.34	65.12	21.55	65.12	21.81	64.89	21.91	64.89	22.04	64.66	22.33
	-5	-5.6	70.45	22.90	70.22	23.14	69.99	23.37	69.99	23.50	69.99	23.63	67.90	22.15
	-3	-3.7	71.38	24.11	71.15	24.37	70.91	24.63	70.91	24.76	70.91	24.89	67.90	22.90
	0	-0.7	72.77	26.04	72.54	26.30	72.54	26.59	72.30	26.74	72.30	26.72	67.90	24.05
	3	2.2	79.49	25.54	79.49	25.80	79.26	25.46	77.17	24.29	74.16	23.14	67.90	20.87
	5	4.1	92.70	27.24	86.44	25.10	80.42	23.03	77.17	24.63	74.16	21.02	67.90	19.09
7	6	92.70	23.30	86.44	21.60	80.42	19.93	77.17	19.12	74.16	18.31	67.90	16.74	
9	7.9	92.70	21.55	86.44	20.06	80.42	18.62	77.17	17.92	74.16	17.21	67.90	15.85	
11	9.8	92.70	20.00	86.44	18.73	80.42	17.47	77.17	16.87	74.16	16.24	67.90	15.04	
13	11.8	92.70	18.62	86.44	17.52	80.42	16.45	77.17	15.93	74.16	15.38	67.90	14.34	
15	13.7	92.70	17.63	86.44	16.66	80.42	15.70	77.17	15.23	74.16	14.78	67.90	13.84	

Abbreviations:

- CR: Combination ratio
- TC: Total capacity (kW)
- PI: Power input (compressor + outdoor fan motor) (kW)

Notes:

- Shaded cells indicate rating condition.

Table continued on next page ...

Table 2-8.23: 26HP heating capacity (continued)

CR	Outdoor air temp.		Indoor air temp. °C DB											
			16.0		18.0		20.0		21.0		22.0		24.0	
	°C DB	°C WB	TC	PI	TC	PI	TC	PI	TC	PI	TC	PI	TC	PI
100%	-25	-25.4	59.33	21.42	59.10	21.62	58.86	21.86	58.86	21.99	58.86	22.12	58.63	22.41
	-19.8	-20	59.79	21.42	59.56	21.65	59.33	21.89	59.33	22.02	59.33	22.15	59.10	22.41
	-18.8	-19	60.72	21.47	60.49	21.70	60.25	21.94	60.25	22.04	60.25	22.17	60.02	22.43
	-16.7	-17	61.64	21.49	61.41	21.73	61.41	21.96	61.18	22.09	61.18	22.22	60.95	21.96
	-13.7	-15	62.57	21.55	62.34	21.75	62.34	22.02	62.11	22.12	62.11	22.25	61.88	21.52
	-11.8	-13	63.50	21.57	63.27	21.81	63.27	22.04	63.03	22.17	63.03	22.28	61.88	21.10
	-9.8	-11	63.96	21.60	63.96	21.83	63.73	22.07	63.73	22.17	63.50	22.30	61.88	20.89
	-9.5	-10	64.43	21.62	64.19	21.83	64.19	22.07	63.96	22.20	63.96	22.33	61.88	20.71
	-8.5	-9.1	65.12	21.65	65.12	21.86	64.89	22.09	64.66	22.22	64.66	22.36	61.88	20.42
	-7	-7.6	70.22	21.68	69.99	21.87	69.99	22.10	69.76	22.03	67.44	21.91	61.88	19.77
	-5	-5.6	71.15	21.70	70.91	21.88	70.91	22.12	70.22	23.82	67.44	22.67	61.88	20.45
	-3	-3.7	72.54	21.73	72.30	21.89	72.30	21.39	70.22	22.41	67.44	23.82	61.88	21.49
	0	-0.7	74.39	21.75	78.56	21.91	73.00	20.79	70.22	23.56	67.44	22.46	61.88	20.19
	3	2.2	79.26	23.12	78.56	21.36	73.00	20.20	70.22	21.68	67.44	20.68	61.88	18.70
	5	4.1	84.12	21.92	78.56	20.32	73.00	19.24	70.22	19.80	67.44	18.91	61.88	17.21
	7	6	84.12	20.72	78.56	19.27	73.00	18.02	70.22	17.31	67.44	16.58	61.88	15.20
9	7.9	84.12	19.53	78.56	18.26	73.00	16.98	70.22	16.35	67.44	15.72	61.88	14.49	
11	9.8	84.12	18.28	78.56	17.13	73.00	16.04	70.22	15.49	67.44	14.94	61.88	13.87	
13	11.8	84.12	17.13	78.56	16.17	73.00	15.20	70.22	14.73	67.44	14.26	61.88	13.32	
15	13.7	84.12	16.30	78.56	15.46	73.00	14.60	70.22	14.18	67.44	13.76	61.88	12.93	
90%	-25	-25.4	58.01	21.72	57.70	21.92	57.52	22.16	57.47	22.61	58.38	23.01	55.62	20.81
	-19.8	-20	59.10	21.75	58.86	21.96	58.63	22.20	58.63	22.33	58.63	22.46	55.62	20.37
	-18.8	-19	59.56	21.78	59.33	21.99	59.10	22.22	59.10	22.36	59.10	22.38	55.62	20.16
	-16.7	-17	60.49	21.81	60.25	22.02	60.25	22.25	60.02	22.38	60.02	21.94	55.62	19.74
	-13.7	-15	61.41	21.83	61.18	22.07	61.18	22.30	60.95	22.41	60.72	21.49	55.62	19.35
	-11.8	-13	62.34	21.89	62.11	22.09	62.11	22.33	61.88	22.12	60.72	21.05	55.62	18.99
	-9.8	-11	63.27	21.91	63.27	22.15	63.03	22.36	63.03	21.68	60.72	20.66	55.62	18.62
	-9.5	-10	63.73	21.94	63.73	22.15	63.50	22.38	63.27	21.47	60.72	20.45	55.62	18.44
	-8.5	-9.1	64.19	21.96	63.96	22.17	63.96	22.33	63.27	21.28	60.72	20.27	55.62	18.28
	-7	-7.6	64.89	21.99	64.89	22.20	64.66	22.02	63.27	21.00	60.72	19.98	55.62	18.02
	-5	-5.6	69.99	22.03	69.76	22.22	65.82	21.26	63.27	20.29	60.72	19.35	55.62	17.50
	-3	-3.7	70.91	22.06	70.68	22.25	65.82	21.99	63.27	21.00	60.72	20.03	55.62	18.10
	0	-0.7	72.30	22.09	70.68	22.27	65.82	23.11	63.27	22.07	60.72	21.05	55.62	19.04
	3	2.2	75.78	22.12	70.68	21.89	65.82	20.08	63.27	19.20	60.72	18.31	55.62	16.61
	5	4.1	75.78	21.57	70.68	19.98	65.82	18.41	63.27	17.63	60.72	16.87	55.62	15.41
	7	6	75.78	18.75	70.68	17.45	65.82	16.17	63.27	15.54	60.72	14.94	55.62	13.71
9	7.9	75.78	17.60	70.68	16.48	65.82	15.36	63.27	14.81	60.72	14.26	55.62	13.19	
11	9.8	75.78	16.58	70.68	15.59	65.82	14.62	63.27	14.13	60.72	13.66	55.62	12.72	
13	11.8	75.78	15.67	70.68	14.81	65.82	13.97	63.27	13.55	60.72	13.14	55.62	12.30	
15	13.7	75.78	15.02	70.68	14.26	65.82	13.50	63.27	13.14	60.72	12.77	55.62	12.01	
80%	-25	-25.4	57.78	21.81	57.55	22.40	58.40	21.80	56.08	20.79	54.00	19.80	49.36	17.87
	-19.8	-20	58.86	21.84	58.63	22.08	58.40	21.33	56.08	20.35	54.00	19.39	49.36	17.51
	-18.8	-19	59.33	21.87	59.10	22.08	58.40	21.12	56.08	20.14	54.00	19.19	49.36	17.33
	-16.7	-17	60.25	21.89	60.02	22.13	58.40	20.68	56.08	19.73	54.00	18.80	49.36	16.97
	-13.7	-15	61.18	21.95	60.95	22.15	58.40	20.27	56.08	19.34	54.00	18.44	49.36	16.66
	-11.8	-13	62.11	21.97	61.88	21.74	58.40	19.86	56.08	18.95	54.00	18.08	49.36	16.35
	-9.8	-11	63.03	22.00	62.80	21.30	58.40	19.50	56.08	18.59	54.00	17.74	49.36	16.04
	-9.5	-10	63.50	22.02	62.80	21.10	58.40	19.29	56.08	18.41	54.00	17.56	49.36	15.89
	-8.5	-9.1	63.96	22.05	62.80	20.91	58.40	19.14	56.08	18.26	54.00	17.41	49.36	15.76
	-7	-7.6	64.66	22.08	62.80	20.61	58.40	18.88	56.08	18.03	54.00	17.18	49.36	15.55
	-5	-5.6	67.44	21.64	62.80	19.93	58.40	18.28	56.08	17.46	54.00	16.69	49.36	15.11
	-3	-3.7	67.44	22.38	62.80	20.63	58.40	18.93	56.08	18.08	54.00	17.25	49.36	15.65
	0	-0.7	67.44	23.52	62.80	21.69	58.40	19.88	56.08	19.01	54.00	18.16	49.36	16.48
	3	2.2	67.44	20.42	62.80	18.85	58.40	17.33	56.08	16.58	54.00	15.86	49.36	14.42
	5	4.1	67.44	18.67	62.80	17.33	58.40	16.01	56.08	15.37	54.00	14.73	49.36	13.49
	7	6	67.44	16.38	62.80	15.29	58.40	14.21	56.08	13.67	54.00	13.15	49.36	12.12
9	7.9	67.44	15.52	62.80	14.57	58.40	13.62	56.08	13.15	54.00	12.66	49.36	11.76	
11	9.8	67.44	14.75	62.80	13.90	58.40	13.07	56.08	12.66	54.00	12.25	49.36	11.45	
13	11.8	67.44	14.08	62.80	13.33	58.40	12.61	56.08	12.25	54.00	11.89	49.36	11.17	
15	13.7	67.44	13.59	62.80	12.92	58.40	12.28	56.08	11.97	54.00	11.63	49.36	10.99	

**Abbreviations:**

CR: Combination ratio

TC: Total capacity (kW)

PI: Power input (compressor + outdoor fan motor) (kW)

**Notes:**

1. Shaded cells indicate rating condition.

Table continued on next page ...

# V6-i VRF 50/60Hz



Table 2-8.23: 26HP heating capacity (continued)

CR	Outdoor air temp.		Indoor air temp. °C DB											
			16.0		18.0		20.0		21.0		22.0		24.0	
	°C DB	°C WB	TC	PI	TC	PI	TC	PI	TC	PI	TC	PI	TC	PI
70%	-25	-25.4	58.49	22.32	54.92	20.53	51.22	18.81	49.13	17.96	47.28	17.13	43.34	15.51
	-19.8	-20	58.40	21.86	54.92	20.11	51.22	18.44	49.13	17.60	47.28	16.79	43.34	15.20
	-18.8	-19	58.86	21.62	54.92	19.90	51.22	18.23	49.13	17.42	47.28	16.64	43.34	15.07
	-16.7	-17	58.86	21.18	54.92	19.51	51.22	17.89	49.13	17.08	47.28	16.30	43.34	14.78
	-13.7	-15	58.86	20.76	54.92	19.12	51.22	17.52	49.13	16.77	47.28	15.98	43.34	14.49
	-11.8	-13	58.86	20.34	54.92	18.75	51.22	17.21	49.13	16.43	47.28	15.70	43.34	14.23
	-9.8	-11	58.86	19.95	54.92	18.39	51.22	16.87	49.13	16.14	47.28	15.41	43.34	13.97
	-9.5	-10	58.86	19.77	54.92	18.23	51.22	16.71	49.13	15.98	47.28	15.25	43.34	13.87
	-8.5	-9.1	58.86	19.59	54.92	18.07	51.22	16.58	49.13	15.85	47.28	15.15	43.34	13.74
	-7	-7.6	58.86	19.33	54.92	17.81	51.22	16.35	49.13	15.64	47.28	14.94	43.34	13.55
	-5	-5.6	58.86	18.73	54.92	17.29	51.22	15.90	49.13	15.23	47.28	14.55	43.34	13.24
	-3	-3.7	58.86	19.38	54.92	17.89	51.22	16.45	49.13	15.75	47.28	15.07	43.34	13.71
	0	-0.7	58.86	20.37	54.92	18.83	51.22	17.31	49.13	16.58	47.28	15.85	43.34	14.44
	3	2.2	58.86	17.73	54.92	16.43	51.22	15.15	49.13	14.52	47.28	13.89	43.34	12.69
	60%	-25	-25.4	50.52	18.59	47.28	17.14	43.80	15.74	42.18	15.05	40.32	14.39	37.08
-19.8		-20	50.52	18.20	47.28	16.79	43.80	15.43	42.18	14.76	40.32	14.10	37.08	12.82
-18.8		-19	50.52	18.02	47.28	16.64	43.80	15.28	42.18	14.62	40.32	13.97	37.08	12.72
-16.7		-17	50.52	17.65	47.28	16.30	43.80	14.99	42.18	14.34	40.32	13.71	37.08	12.48
-13.7		-15	50.52	17.31	47.28	15.98	43.80	14.70	42.18	14.08	40.32	13.48	37.08	12.25
-11.8		-13	50.52	16.98	47.28	15.70	43.80	14.44	42.18	13.82	40.32	13.21	37.08	12.04
-9.8		-11	50.52	16.66	47.28	15.41	43.80	14.18	42.18	13.58	40.32	12.98	37.08	11.83
-9.5		-10	50.52	16.51	47.28	15.25	43.80	14.05	42.18	13.45	40.32	12.88	37.08	11.73
-8.5		-9.1	50.52	16.40	47.28	15.15	43.80	13.95	42.18	13.35	40.32	12.77	37.08	11.65
-7		-7.6	50.52	16.14	47.28	14.94	43.80	13.76	42.18	13.19	40.32	12.61	37.08	11.49
-5		-5.6	50.52	15.70	47.28	14.55	43.80	13.42	42.18	12.88	40.32	12.33	37.08	11.26
-3		-3.7	50.52	16.27	47.28	15.07	43.80	13.89	42.18	13.35	40.32	12.77	37.08	11.67
0		-0.7	50.52	17.11	47.28	15.85	43.80	14.65	42.18	14.05	40.32	13.45	37.08	12.30
3		2.2	50.52	14.96	47.28	13.89	43.80	12.85	42.18	12.35	40.32	11.83	37.08	10.84
50%		-25	-25.4	42.18	15.02	39.40	13.92	36.62	12.84	34.99	13.44	33.60	11.79	30.82
	-19.8	-20	42.18	14.76	39.40	13.68	36.62	12.61	34.99	12.12	33.60	11.60	30.82	10.60
	-18.8	-19	42.18	14.62	39.40	13.55	36.62	12.51	34.99	14.60	33.60	11.49	30.82	10.50
	-16.7	-17	42.18	14.34	39.40	13.29	36.62	12.27	34.99	11.78	33.60	11.28	30.82	10.32
	-13.7	-15	42.18	14.08	39.40	13.06	36.62	12.07	34.99	11.57	33.60	11.10	30.82	10.13
	-11.8	-13	42.18	13.82	39.40	12.82	36.62	11.86	34.99	11.36	33.60	10.89	30.82	9.98
	-9.8	-11	42.18	13.58	39.40	12.61	36.62	11.65	34.99	11.18	33.60	10.71	30.82	9.79
	-9.5	-10	42.18	13.45	39.40	12.48	36.62	11.54	34.99	11.07	33.60	10.63	30.82	9.72
	-8.5	-9.1	42.18	13.35	39.40	12.41	36.62	11.46	34.99	10.99	33.60	10.55	30.82	9.66
	-7	-7.6	42.18	13.19	39.40	12.25	36.62	11.31	34.99	10.86	33.60	10.42	30.82	9.53
	-5	-5.6	42.18	12.88	39.40	11.96	36.62	11.07	34.99	10.66	33.60	10.21	30.82	9.38
	-3	-3.7	42.18	13.35	39.40	12.41	36.62	11.49	34.99	11.05	33.60	10.60	30.82	9.72
	0	-0.7	42.18	14.05	39.40	13.06	36.62	12.12	34.99	11.65	33.60	11.18	30.82	10.26
	3	2.2	42.18	12.35	39.40	11.52	36.62	10.68	34.99	10.29	33.60	9.87	30.82	9.09
	5	4.1	42.18	11.67	39.40	10.92	36.62	10.21	34.99	9.85	33.60	9.48	30.82	8.77
7	6	42.18	10.60	39.40	10.00	36.62	9.38	34.99	9.09	33.60	8.77	30.82	8.17	
9	7.9	42.18	10.42	39.40	9.87	36.62	9.32	34.99	9.06	33.60	8.77	30.82	8.25	
11	9.8	42.18	10.26	39.40	9.77	36.62	9.27	34.99	9.04	33.60	8.80	30.82	8.30	
13	11.8	42.18	10.13	39.40	9.69	36.62	9.27	34.99	9.04	33.60	8.80	30.82	8.41	
15	13.7	42.18	10.11	39.40	9.69	36.62	9.30	34.99	9.11	33.60	8.93	30.82	8.54	

**Abbreviations:**

- CR: Combination ratio
- TC: Total capacity (kW)
- PI: Power input (compressor + outdoor fan motor) (kW)

**Notes:**

1. Shaded cells indicate rating condition.



Table 2-8.24: 28HP heating capacity

CR	Outdoor air temp.		Indoor air temp. °C DB											
			16.0		18.0		20.0		21.0		22.0		24.0	
	°C DB	°C WB	TC	PI	TC	PI	TC	PI	TC	PI	TC	PI	TC	PI
130%	-25	-25.4	63.27	23.79	63.02	24.02	62.78	24.27	62.58	24.42	62.53	24.57	62.18	24.89
	-19.8	-20	64.37	23.83	64.12	24.07	63.87	24.31	63.62	24.47	63.62	24.62	63.37	24.95
	-18.8	-19	64.86	23.86	64.62	24.07	64.37	24.34	64.37	24.50	64.12	24.65	63.87	24.95
	-16.7	-17	65.86	23.89	65.61	24.13	65.36	24.38	65.36	24.53	65.11	24.68	64.86	25.01
	-13.7	-15	66.85	23.92	66.60	24.16	66.35	24.44	66.35	24.59	66.11	24.74	65.86	25.04
	-11.8	-13	67.85	23.98	67.60	24.22	67.35	24.47	67.35	24.62	67.10	24.77	67.10	25.10
	-9.8	-11	68.84	24.01	68.59	24.25	68.34	24.53	68.34	24.65	68.34	24.80	68.09	25.13
	-9.5	-10	69.34	24.04	69.09	24.25	69.09	24.53	68.84	24.68	68.84	24.83	68.59	25.16
	-8.5	-9.1	69.83	24.04	69.59	24.28	69.34	24.56	69.34	24.71	69.34	24.86	69.09	25.19
	-7	-7.6	70.58	24.07	70.33	24.31	70.33	24.59	70.08	24.74	70.08	24.89	69.83	25.22
	-5	-5.6	76.05	25.82	75.80	26.10	75.55	26.37	75.55	26.55	75.30	26.70	75.05	27.03
	-3	-3.7	77.04	27.18	76.79	27.49	76.54	27.79	76.54	27.94	76.30	28.12	76.05	28.48
	0	-0.7	78.53	29.36	78.28	29.69	78.04	30.02	78.04	30.17	77.79	30.36	77.79	30.75
	3	2.2	85.74	28.82	85.74	29.12	85.49	29.45	85.24	29.60	85.24	29.78	84.99	29.45
	5	4.1	107.86	35.64	107.61	35.43	101.89	32.41	97.92	30.93	93.94	29.48	86.24	26.64
7	6	117.55	32.56	109.60	30.08	101.89	27.67	97.92	26.49	93.94	25.31	86.24	23.05	
9	7.9	117.55	29.72	109.60	27.61	101.89	25.52	97.92	24.53	93.94	23.53	86.24	21.54	
11	9.8	117.55	27.24	109.60	25.40	101.89	23.65	97.92	22.80	93.94	21.93	86.24	20.21	
13	11.8	117.55	25.10	109.60	23.53	101.89	22.02	97.92	21.26	93.94	20.51	86.24	19.03	
15	13.7	117.55	23.47	109.60	22.11	101.89	20.78	97.92	20.12	93.94	19.45	86.24	18.15	
120%	-25	-25.4	63.46	24.85	63.22	25.10	132.37	25.38	62.97	25.52	62.70	25.69	62.52	26.03
	-19.8	-20	64.30	24.88	64.05	25.13	63.80	25.41	63.80	25.57	63.55	25.72	63.30	26.07
	-18.8	-19	64.79	24.91	64.54	25.16	64.30	25.44	64.30	25.57	64.05	25.76	63.80	26.07
	-16.7	-17	65.79	24.95	65.54	25.19	65.29	25.48	65.29	25.63	65.04	25.79	65.04	26.13
	-13.7	-15	66.79	24.98	66.54	25.26	66.29	25.54	66.29	25.66	66.29	25.85	66.04	26.16
	-11.8	-13	67.78	25.04	67.53	25.29	69.28	25.57	67.29	25.72	67.29	25.88	67.04	26.22
	-9.8	-11	68.78	25.07	68.53	25.32	68.53	25.60	68.28	25.76	68.28	25.91	68.03	26.25
	-9.5	-10	69.28	25.10	69.03	25.35	69.03	25.63	68.78	25.79	68.78	25.94	68.53	26.29
	-8.5	-9.1	69.78	25.10	69.53	25.38	69.53	25.66	69.28	25.82	69.28	25.97	69.03	26.29
	-7	-7.6	70.53	25.13	70.28	25.41	70.28	25.69	70.03	25.85	70.03	26.01	69.78	26.32
	-5	-5.6	76.01	26.97	75.76	27.25	75.51	27.56	75.51	27.72	75.51	27.88	75.26	28.22
	-3	-3.7	77.00	28.41	76.76	28.72	76.51	29.03	76.51	29.19	76.26	29.37	76.26	29.72
	0	-0.7	78.50	30.68	78.25	30.99	78.00	31.34	78.00	31.52	78.00	31.71	77.75	31.90
	3	2.2	85.73	30.12	85.73	30.40	85.48	30.75	85.23	30.90	85.23	30.68	79.75	27.63
	5	4.1	107.91	36.11	101.43	33.21	94.20	30.43	90.46	29.06	86.97	27.72	79.75	25.10
7	6	108.65	30.68	101.43	28.38	94.20	26.13	90.46	25.04	86.97	23.98	79.75	21.86	
9	7.9	108.65	28.16	101.43	26.19	94.20	24.29	90.46	23.32	86.97	22.39	79.75	20.55	
11	9.8	108.65	25.97	101.43	24.29	94.20	22.64	90.46	21.83	86.97	21.02	79.75	19.39	
13	11.8	108.65	24.04	101.43	22.61	94.20	21.17	90.46	20.46	86.97	19.77	79.75	18.37	
15	13.7	108.65	22.61	101.43	21.36	94.20	20.08	90.46	19.46	86.97	18.86	79.75	17.65	
110%	-25	-25.4	63.12	25.50	62.84	25.78	62.53	26.05	62.62	26.20	62.40	26.38	62.37	26.70
	-19.8	-20	64.05	25.54	63.80	25.82	63.55	26.11	63.55	26.24	63.30	26.42	63.30	26.74
	-18.8	-19	64.54	25.57	64.30	25.82	64.05	26.11	64.05	26.27	63.80	26.42	63.80	26.77
	-16.7	-17	65.54	25.60	65.29	25.89	65.04	26.17	65.04	26.33	65.04	26.49	64.79	26.80
	-13.7	-15	66.54	25.67	66.29	25.92	66.04	26.20	66.04	26.36	66.04	26.52	65.79	26.87
	-11.8	-13	67.53	25.70	67.29	25.98	67.29	26.27	67.04	26.42	67.04	26.58	66.79	26.90
	-9.8	-11	68.53	25.76	68.28	26.01	68.28	26.30	68.03	26.46	68.03	26.61	67.78	26.96
	-9.5	-10	69.03	25.76	69.03	26.05	68.78	26.33	68.53	26.49	68.53	26.65	68.28	26.96
	-8.5	-9.1	69.53	25.79	69.28	26.05	69.28	26.36	69.03	26.49	69.03	26.65	68.78	26.99
	-7	-7.6	70.28	25.82	70.03	26.08	70.03	26.39	69.78	26.52	69.78	26.68	69.53	27.03
	-5	-5.6	75.76	27.72	75.51	28.01	75.26	28.29	75.26	28.45	75.26	28.61	73.02	26.80
	-3	-3.7	76.76	29.17	76.51	29.49	76.26	29.81	76.26	29.97	76.26	30.12	73.02	27.72
	0	-0.7	78.25	31.51	78.00	31.83	78.00	32.18	77.75	32.37	77.75	32.34	73.02	29.11
	3	2.2	85.48	30.91	85.48	31.23	85.23	30.82	82.99	29.40	79.75	28.01	73.02	25.26
	5	4.1	99.68	32.97	92.95	30.38	86.47	27.88	82.99	29.81	79.75	25.45	73.02	23.11
7	6	99.68	28.19	92.95	26.14	86.47	24.12	82.99	23.14	79.75	22.16	73.02	20.26	
9	7.9	99.68	26.08	92.95	24.28	86.47	22.54	82.99	21.68	79.75	20.83	73.02	19.19	
11	9.8	99.68	24.21	92.95	22.66	86.47	21.15	82.99	20.42	79.75	19.66	73.02	18.21	
13	11.8	99.68	22.54	92.95	21.21	86.47	19.91	82.99	19.28	79.75	18.62	73.02	17.35	
15	13.7	99.68	21.34	92.95	20.17	86.47	19.00	82.99	18.43	79.75	17.89	73.02	16.75	

**Abbreviations:**

- CR: Combination ratio
- TC: Total capacity (kW)
- PI: Power input (compressor + outdoor fan motor) (kW)

**Notes:**

1. Shaded cells indicate rating condition.

Table continued on next page ...



Table 2-8.24: 28HP heating capacity (continued)

CR	Outdoor air temp.		Indoor air temp. °C DB											
			16.0		18.0		20.0		21.0		22.0		24.0	
	°C DB	°C WB	TC	PI	TC	PI	TC	PI	TC	PI	TC	PI	TC	PI
100%	-25	-25.4	63.80	25.92	63.55	26.17	63.30	26.46	63.30	26.61	63.30	26.77	63.05	27.12
	-19.8	-20	64.30	25.92	64.05	26.20	63.80	26.49	63.80	26.65	63.80	26.80	63.55	27.12
	-18.8	-19	65.29	25.98	65.04	26.27	64.79	26.55	64.79	26.68	64.79	26.84	64.54	27.15
	-16.7	-17	66.29	26.01	66.04	26.30	66.04	26.58	65.79	26.74	65.79	26.90	65.54	26.58
	-13.7	-15	67.29	26.08	67.04	26.33	67.04	26.65	66.79	26.77	66.79	26.93	66.54	26.05
	-11.8	-13	68.28	26.11	68.03	26.39	68.03	26.68	67.78	26.84	67.78	26.96	66.54	25.54
	-9.8	-11	68.78	26.14	68.78	26.42	68.53	26.71	68.53	26.84	68.28	26.99	66.54	25.29
	-9.5	-10	69.28	26.17	69.03	26.42	69.03	26.71	68.78	26.87	68.78	27.03	66.54	25.07
	-8.5	-9.1	70.03	26.20	70.03	26.46	69.78	26.74	69.53	26.90	69.53	27.06	66.54	24.72
	-7	-7.6	75.51	26.24	75.26	26.47	75.26	26.75	75.01	27.88	72.52	26.52	66.54	23.93
	-5	-5.6	76.51	26.27	76.26	26.48	76.26	26.77	75.51	28.83	72.52	27.44	66.54	24.75
	-3	-3.7	78.00	26.30	77.75	26.50	77.75	25.89	75.51	27.12	72.52	28.83	66.54	26.01
	0	-0.7	80.00	26.33	84.48	26.51	78.50	25.17	75.51	28.51	72.52	27.18	66.54	24.43
	3	2.2	85.23	27.98	84.48	25.86	78.50	24.45	75.51	26.24	72.52	25.03	66.54	22.63
	5	4.1	90.46	26.53	84.48	24.59	78.50	23.29	75.51	23.96	72.52	22.88	66.54	20.83
	7	6	90.46	25.08	84.48	23.33	78.50	21.81	75.51	20.96	72.52	20.07	66.54	18.40
9	7.9	90.46	23.64	84.48	22.09	78.50	20.55	75.51	19.79	72.52	19.03	66.54	17.54	
11	9.8	90.46	22.13	84.48	20.74	78.50	19.41	75.51	18.74	72.52	18.08	66.54	16.78	
13	11.8	90.46	20.74	84.48	19.57	78.50	18.40	75.51	17.83	72.52	17.26	66.54	16.12	
15	13.7	90.46	19.72	84.48	18.71	78.50	17.67	75.51	17.16	72.52	16.66	66.54	15.65	
90%	-25	-25.4	62.38	26.28	62.05	26.53	61.85	26.82	61.80	27.36	62.78	27.85	59.81	25.18
	-19.8	-20	63.55	26.33	63.30	26.58	63.05	26.87	63.05	27.03	63.05	27.18	59.81	24.65
	-18.8	-19	64.05	26.36	63.80	26.61	63.55	26.90	63.55	27.06	63.55	27.09	59.81	24.40
	-16.7	-17	65.04	26.39	64.79	26.65	64.79	26.93	64.54	27.09	64.54	26.55	59.81	23.90
	-13.7	-15	66.04	26.42	65.79	26.71	65.79	26.99	65.54	27.12	65.29	26.01	59.81	23.42
	-11.8	-13	67.04	26.49	66.79	26.74	66.79	27.03	66.54	26.77	65.29	25.48	59.81	22.98
	-9.8	-11	68.03	26.52	68.03	26.80	67.78	27.06	67.78	26.24	65.29	25.00	59.81	22.54
	-9.5	-10	68.53	26.55	68.53	26.80	68.28	27.09	68.03	25.98	65.29	24.75	59.81	22.32
	-8.5	-9.1	69.03	26.58	68.78	26.84	68.78	27.03	68.03	25.76	65.29	24.53	59.81	22.13
	-7	-7.6	69.78	26.61	69.78	26.87	69.53	26.65	68.03	25.41	65.29	24.18	59.81	21.81
	-5	-5.6	75.26	26.66	75.01	26.90	70.77	25.73	68.03	24.56	65.29	23.42	59.81	21.18
	-3	-3.7	76.26	26.70	76.01	26.92	70.77	26.61	68.03	25.41	65.29	24.24	59.81	21.90
	0	-0.7	77.75	26.73	76.01	26.95	70.77	27.97	68.03	26.71	65.29	25.48	59.81	23.04
	3	2.2	81.49	26.77	76.01	26.49	70.77	24.31	68.03	23.23	65.29	22.16	59.81	20.10
	5	4.1	81.49	26.11	76.01	24.18	70.77	22.28	68.03	21.34	65.29	20.42	59.81	18.65
	7	6	81.49	22.70	76.01	21.11	70.77	19.57	68.03	18.81	65.29	18.08	59.81	16.59
9	7.9	81.49	21.30	76.01	19.95	70.77	18.59	68.03	17.92	65.29	17.26	59.81	15.96	
11	9.8	81.49	20.07	76.01	18.87	70.77	17.70	68.03	17.10	65.29	16.53	59.81	15.39	
13	11.8	81.49	18.97	76.01	17.92	70.77	16.91	68.03	16.40	65.29	15.90	59.81	14.89	
15	13.7	81.49	18.18	76.01	17.26	70.77	16.34	68.03	15.90	65.29	15.46	59.81	14.54	
80%	-25	-25.4	62.14	26.39	61.89	27.11	62.80	26.38	60.31	25.16	58.07	23.97	53.08	21.63
	-19.8	-20	63.30	26.44	63.05	26.72	62.80	25.81	60.31	24.63	58.07	23.47	53.08	21.19
	-18.8	-19	63.80	26.47	63.55	26.72	62.80	25.56	60.31	24.38	58.07	23.22	53.08	20.98
	-16.7	-17	64.79	26.50	64.54	26.78	62.80	25.03	60.31	23.88	58.07	22.75	53.08	20.54
	-13.7	-15	65.79	26.56	65.54	26.81	62.80	24.53	60.31	23.41	58.07	22.32	53.08	20.16
	-11.8	-13	66.79	26.59	66.54	26.31	62.80	24.03	60.31	22.94	58.07	21.88	53.08	19.79
	-9.8	-11	67.78	26.62	67.53	25.78	62.80	23.60	60.31	22.50	58.07	21.47	53.08	19.41
	-9.5	-10	68.28	26.66	67.53	25.53	62.80	23.35	60.31	22.29	58.07	21.26	53.08	19.23
	-8.5	-9.1	68.78	26.69	67.53	25.31	62.80	23.16	60.31	22.10	58.07	21.07	53.08	19.07
	-7	-7.6	69.53	26.72	67.53	24.94	62.80	22.85	60.31	21.82	58.07	20.79	53.08	18.82
	-5	-5.6	72.52	26.19	67.53	24.13	62.80	22.13	60.31	21.13	58.07	20.19	53.08	18.29
	-3	-3.7	72.52	27.09	67.53	24.97	62.80	22.91	60.31	21.88	58.07	20.88	53.08	18.95
	0	-0.7	72.52	28.47	67.53	26.25	62.80	24.07	60.31	23.00	58.07	21.97	53.08	19.95
	3	2.2	72.52	24.72	67.53	22.82	62.80	20.98	60.31	20.07	58.07	19.20	53.08	17.45
	5	4.1	72.52	22.60	67.53	20.98	62.80	19.38	60.31	18.60	58.07	17.82	53.08	16.32
	7	6	72.52	19.82	67.53	18.51	62.80	17.20	60.31	16.54	58.07	15.92	53.08	14.67
9	7.9	72.52	18.79	67.53	17.64	62.80	16.48	60.31	15.92	58.07	15.33	53.08	14.23	
11	9.8	72.52	17.85	67.53	16.82	62.80	15.82	60.31	15.33	58.07	14.83	53.08	13.86	
13	11.8	72.52	17.04	67.53	16.14	62.80	15.26	60.31	14.83	58.07	14.39	53.08	13.52	
15	13.7	72.52	16.45	67.53	15.64	62.80	14.86	60.31	14.48	58.07	14.08	53.08	13.30	

Abbreviations:

- CR: Combination ratio
- TC: Total capacity (kW)
- PI: Power input (compressor + outdoor fan motor) (kW)

Notes:

- Shaded cells indicate rating condition.

Table continued on next page ...

Table 2-8.24: 28HP heating capacity (continued)

CR	Outdoor air temp.		Indoor air temp. °C DB											
			16.0		18.0		20.0		21.0		22.0		24.0	
	°C DB	°C WB	TC	PI	TC	PI	TC	PI	TC	PI	TC	PI	TC	PI
70%	-25	-25.4	62.90	27.02	59.06	24.84	55.07	22.76	52.83	21.74	50.84	20.74	46.60	18.77
	-19.8	-20	62.80	26.46	59.06	24.34	55.07	22.32	52.83	21.30	50.84	20.32	46.60	18.40
	-18.8	-19	63.30	26.17	59.06	24.09	55.07	22.06	52.83	21.08	50.84	20.13	46.60	18.24
	-16.7	-17	63.30	25.63	59.06	23.61	55.07	21.65	52.83	20.67	50.84	19.72	46.60	17.89
	-13.7	-15	63.30	25.13	59.06	23.14	55.07	21.21	52.83	20.29	50.84	19.34	46.60	17.54
	-11.8	-13	63.30	24.62	59.06	22.70	55.07	20.83	52.83	19.88	50.84	19.00	46.60	17.23
	-9.8	-11	63.30	24.15	59.06	22.25	55.07	20.42	52.83	19.53	50.84	18.65	46.60	16.91
	-9.5	-10	63.30	23.93	59.06	22.06	55.07	20.23	52.83	19.34	50.84	18.46	46.60	16.78
	-8.5	-9.1	63.30	23.71	59.06	21.87	55.07	20.07	52.83	19.19	50.84	18.33	46.60	16.63
	-7	-7.6	63.30	23.39	59.06	21.56	55.07	19.79	52.83	18.93	50.84	18.08	46.60	16.40
	-5	-5.6	63.30	22.66	59.06	20.92	55.07	19.25	52.83	18.43	50.84	17.61	46.60	16.03
	-3	-3.7	63.30	23.45	59.06	21.65	55.07	19.91	52.83	19.06	50.84	18.24	46.60	16.59
	0	-0.7	63.30	24.65	59.06	22.79	55.07	20.96	52.83	20.07	50.84	19.19	46.60	17.48
	3	2.2	63.30	21.46	59.06	19.88	55.07	18.33	52.83	17.57	50.84	16.82	46.60	15.36
	5	4.1	63.30	19.82	59.06	18.46	55.07	17.10	52.83	16.44	50.84	15.77	46.60	14.48
7	6	63.30	17.57	59.06	16.44	55.07	15.33	52.83	14.76	50.84	14.22	46.60	13.15	
9	7.9	63.30	16.82	59.06	15.80	55.07	14.82	52.83	17.51	50.84	13.84	46.60	12.90	
11	9.8	63.30	16.15	59.06	15.27	55.07	14.38	52.83	13.97	50.84	13.53	46.60	12.68	
13	11.8	63.30	15.55	59.06	14.79	55.07	14.00	52.83	13.62	50.84	13.24	46.60	12.49	
15	13.7	63.30	15.14	59.06	14.45	55.07	13.78	52.83	13.43	50.84	13.09	46.60	12.42	
60%	-25	-25.4	54.33	22.50	50.84	20.75	47.10	19.06	45.36	18.22	43.36	17.41	39.87	15.83
	-19.8	-20	54.33	22.03	50.84	20.32	47.10	18.68	45.36	17.86	43.36	17.07	39.87	15.52
	-18.8	-19	54.33	21.81	50.84	20.13	47.10	18.49	45.36	17.70	43.36	16.91	39.87	15.39
	-16.7	-17	54.33	21.37	50.84	19.72	47.10	18.14	45.36	17.35	43.36	16.59	39.87	15.11
	-13.7	-15	54.33	20.96	50.84	19.34	47.10	17.80	45.36	17.04	43.36	16.31	39.87	14.82
	-11.8	-13	54.33	20.55	50.84	19.00	47.10	17.48	45.36	16.72	43.36	15.99	39.87	14.57
	-9.8	-11	54.33	20.17	50.84	18.65	47.10	17.16	45.36	16.44	43.36	15.71	39.87	14.32
	-9.5	-10	54.33	19.98	50.84	18.46	47.10	17.01	45.36	16.28	43.36	15.58	39.87	14.19
	-8.5	-9.1	54.33	19.84	50.84	18.33	47.10	16.88	45.36	16.15	43.36	15.46	39.87	14.10
	-7	-7.6	54.33	19.53	50.84	18.08	47.10	16.66	45.36	15.96	43.36	15.27	39.87	13.91
	-5	-5.6	54.33	19.00	50.84	17.61	47.10	16.25	45.36	15.58	43.36	14.92	39.87	13.62
	-3	-3.7	54.33	19.69	50.84	18.24	47.10	16.82	45.36	16.15	43.36	15.46	39.87	14.13
	0	-0.7	54.33	20.70	50.84	19.19	47.10	17.73	45.36	17.01	43.36	16.28	39.87	14.89
	3	2.2	54.33	18.11	50.84	16.82	47.10	15.55	45.36	14.95	43.36	14.32	39.87	13.12
	5	4.1	54.33	16.91	50.84	15.77	47.10	14.67	45.36	14.13	43.36	13.59	39.87	12.52
7	6	54.33	15.17	50.84	14.22	47.10	13.31	45.36	12.83	43.36	12.39	39.87	11.51	
9	7.9	54.33	14.70	50.84	13.84	47.10	13.02	45.36	12.61	43.36	12.23	39.87	11.41	
11	9.8	54.33	14.26	50.84	13.53	47.10	12.80	45.36	12.42	43.36	12.07	39.87	11.35	
13	11.8	54.33	13.91	50.84	13.24	47.10	12.61	45.36	12.26	43.36	11.95	39.87	11.32	
15	13.7	54.33	13.69	50.84	13.09	47.10	12.52	45.36	12.23	43.36	11.95	39.87	11.35	
50%	-25	-25.4	45.36	18.18	42.37	16.85	39.37	15.54	37.63	16.26	36.13	14.27	33.14	13.05
	-19.8	-20	45.36	17.86	42.37	16.56	39.37	15.27	37.63	14.67	36.13	14.03	33.14	12.83
	-18.8	-19	45.36	17.70	42.37	16.40	39.37	15.14	37.63	17.67	36.13	13.91	33.14	12.71
	-16.7	-17	45.36	17.35	42.37	16.09	39.37	14.86	37.63	14.26	36.13	13.65	33.14	12.49
	-13.7	-15	45.36	17.04	42.37	15.80	39.37	14.60	37.63	14.00	36.13	13.43	33.14	12.26
	-11.8	-13	45.36	16.72	42.37	15.52	39.37	14.35	37.63	13.75	36.13	13.18	33.14	12.07
	-9.8	-11	45.36	16.44	42.37	15.27	39.37	14.10	37.63	13.53	36.13	12.96	33.14	11.85
	-9.5	-10	45.36	16.28	42.37	15.11	39.37	13.97	37.63	13.40	36.13	12.86	33.14	11.76
	-8.5	-9.1	45.36	16.15	42.37	15.01	39.37	13.88	37.63	13.31	36.13	12.77	33.14	11.70
	-7	-7.6	45.36	15.96	42.37	14.82	39.37	13.69	37.63	13.15	36.13	12.61	33.14	11.54
	-5	-5.6	45.36	15.58	42.37	14.48	39.37	13.40	37.63	12.90	36.13	12.36	33.14	11.35
	-3	-3.7	45.36	16.15	42.37	15.01	39.37	13.91	37.63	13.37	36.13	12.83	33.14	11.76
	0	-0.7	45.36	17.01	42.37	15.80	39.37	14.67	37.63	14.10	36.13	13.53	33.14	12.42
	3	2.2	45.36	14.95	42.37	13.94	39.37	12.93	37.63	12.45	36.13	11.95	33.14	11.00
	5	4.1	45.36	14.13	42.37	13.21	39.37	12.36	37.63	11.92	36.13	11.47	33.14	10.62
7	6	45.36	12.83	42.37	12.11	39.37	11.35	37.63	11.00	36.13	10.62	33.14	9.89	
9	7.9	45.36	12.61	42.37	11.95	39.37	11.28	37.63	10.97	36.13	10.62	33.14	9.99	
11	9.8	45.36	12.42	42.37	11.82	39.37	11.22	37.63	10.94	36.13	10.65	33.14	10.05	
13	11.8	45.36	12.26	42.37	11.73	39.37	11.22	37.63	10.94	36.13	10.65	33.14	10.18	
15	13.7	45.36	12.23	42.37	11.73	39.37	11.25	37.63	11.03	36.13	10.81	33.14	10.34	

**Abbreviations:**

- CR: Combination ratio
- TC: Total capacity (kW)
- PI: Power input (compressor + outdoor fan motor) (kW)

**Notes:**

1. Shaded cells indicate rating condition.

Table 2-8.25: 30HP heating capacity

CR	Outdoor air temp.		Indoor air temp. °C DB											
			16.0		18.0		20.0		21.0		22.0		24.0	
	°C DB	°C WB	TC	PI	TC	PI	TC	PI	TC	PI	TC	PI	TC	PI
130%	-25	-25.4	68.51	26.48	68.24	26.74	67.97	27.02	67.76	27.19	67.70	27.35	67.33	27.71
	-19.8	-20	69.70	26.53	69.43	26.80	69.16	27.07	68.89	27.24	68.89	27.40	68.62	27.77
	-18.8	-19	70.23	26.56	69.97	26.80	69.70	27.10	69.70	27.27	69.43	27.44	69.16	27.77
	-16.7	-17	71.31	26.60	71.04	26.87	70.77	27.14	70.77	27.30	70.50	27.47	70.23	27.84
	-13.7	-15	72.39	26.63	72.12	26.90	71.85	27.20	71.85	27.37	71.58	27.54	71.31	27.88
	-11.8	-13	73.46	26.70	73.19	26.97	72.93	27.24	72.93	27.40	72.66	27.57	72.66	27.94
	-9.8	-11	74.54	26.73	74.27	27.00	74.00	27.30	74.00	27.44	74.00	27.61	73.73	27.98
	-9.5	-10	75.08	26.77	74.81	27.00	74.81	27.30	74.54	27.47	74.54	27.64	74.27	28.01
	-8.5	-9.1	75.62	26.77	75.35	27.03	75.08	27.34	75.08	27.51	75.08	27.67	74.81	28.04
	-7	-7.6	76.42	26.80	76.15	27.07	76.15	27.37	75.89	27.54	75.89	27.71	75.62	28.08
	-5	-5.6	82.34	28.75	82.07	29.05	81.81	29.35	81.81	29.56	81.54	29.72	81.27	30.09
	-3	-3.7	83.42	30.26	83.15	30.60	82.88	30.94	82.88	31.10	82.61	31.31	82.34	31.71
	0	-0.7	85.03	32.68	84.77	33.05	84.50	33.42	84.50	33.59	84.23	33.79	84.23	34.23
	3	2.2	92.84	32.08	92.84	32.41	92.57	32.78	92.30	32.95	92.30	33.15	92.03	32.78
	5	4.1	116.79	39.68	116.52	39.44	110.33	36.08	106.02	34.43	101.72	32.82	93.38	29.66
7	6	127.28	36.25	118.67	33.49	110.33	30.80	106.02	29.49	101.72	28.18	93.38	25.66	
9	7.9	127.28	33.09	118.67	30.73	110.33	28.41	106.02	27.30	101.72	26.19	93.38	23.97	
11	9.8	127.28	30.33	118.67	28.28	110.33	26.33	106.02	25.39	101.72	24.41	93.38	22.50	
13	11.8	127.28	27.94	118.67	26.19	110.33	24.51	106.02	23.67	101.72	22.83	93.38	21.18	
15	13.7	127.28	26.13	118.67	24.61	110.33	23.13	106.02	22.39	101.72	21.65	93.38	20.21	
120%	-25	-25.4	68.72	27.67	68.45	27.94	143.33	28.25	68.18	28.41	67.89	28.60	67.69	28.98
	-19.8	-20	69.62	27.70	69.35	27.98	69.08	28.29	69.08	28.46	68.81	28.64	68.54	29.02
	-18.8	-19	70.16	27.74	69.89	28.01	69.62	28.33	69.62	28.46	69.35	28.67	69.08	29.02
	-16.7	-17	71.24	27.77	70.97	28.05	70.70	28.36	70.70	28.53	70.43	28.71	70.43	29.09
	-13.7	-15	72.32	27.81	72.05	28.12	71.78	28.43	71.78	28.57	71.78	28.78	71.51	29.12
	-11.8	-13	73.40	27.87	73.13	28.15	75.02	28.46	72.86	28.64	72.86	28.81	72.59	29.19
	-9.8	-11	74.48	27.91	74.21	28.19	74.21	28.50	73.94	28.67	73.94	28.85	73.67	29.23
	-9.5	-10	75.02	27.94	74.75	28.22	74.75	28.53	74.48	28.71	74.48	28.88	74.21	29.26
	-8.5	-9.1	75.56	27.94	75.29	28.26	75.29	28.57	75.02	28.74	75.02	28.92	74.75	29.26
	-7	-7.6	76.37	27.98	76.10	28.29	76.10	28.60	75.83	28.78	75.83	28.95	75.56	29.30
	-5	-5.6	82.30	30.03	82.03	30.34	81.76	30.69	81.76	30.86	81.76	31.03	81.49	31.42
	-3	-3.7	83.38	31.62	83.11	31.97	82.84	32.32	82.84	32.49	82.57	32.70	82.57	33.08
	0	-0.7	85.00	34.16	84.73	34.50	84.46	34.89	84.46	35.09	84.46	35.30	84.19	35.51
	3	2.2	92.83	33.53	92.83	33.85	92.56	34.23	92.29	34.40	92.29	34.16	86.35	30.76
	5	4.1	116.84	40.20	109.83	36.97	102.00	33.88	97.95	32.35	94.17	30.86	86.35	27.94
7	6	117.65	34.16	109.83	31.59	102.00	29.09	97.95	27.87	94.17	26.69	86.35	24.33	
9	7.9	117.65	31.35	109.83	29.16	102.00	27.04	97.95	25.97	94.17	24.92	86.35	22.88	
11	9.8	117.65	28.92	109.83	27.04	102.00	25.20	97.95	24.30	94.17	23.40	86.35	21.59	
13	11.8	117.65	26.76	109.83	25.17	102.00	23.57	97.95	22.77	94.17	22.01	86.35	20.45	
15	13.7	117.65	25.17	109.83	23.78	102.00	22.36	97.95	21.66	94.17	21.00	86.35	19.65	
110%	-25	-25.4	68.35	28.39	68.04	28.70	67.71	29.00	67.81	29.17	67.57	29.36	67.54	29.73
	-19.8	-20	69.35	28.43	69.08	28.75	68.81	29.07	68.81	29.21	68.54	29.42	68.54	29.77
	-18.8	-19	69.89	28.47	69.62	28.75	69.35	29.07	69.35	29.24	69.08	29.42	69.08	29.80
	-16.7	-17	70.97	28.50	70.70	28.82	70.43	29.14	70.43	29.31	70.43	29.49	70.16	29.84
	-13.7	-15	72.05	28.57	71.78	28.85	71.51	29.17	71.51	29.35	71.51	29.52	71.24	29.91
	-11.8	-13	73.13	28.61	72.86	28.92	72.86	29.24	72.59	29.42	72.59	29.59	72.32	29.95
	-9.8	-11	74.21	28.68	73.94	28.96	73.94	29.28	73.67	29.45	73.67	29.63	73.40	30.02
	-9.5	-10	74.75	28.68	74.75	29.00	74.48	29.31	74.21	29.49	74.21	29.66	73.94	30.02
	-8.5	-9.1	75.29	28.71	75.02	29.00	75.02	29.35	74.75	29.49	74.75	29.66	74.48	30.05
	-7	-7.6	76.10	28.75	75.83	29.03	75.83	29.38	75.56	29.52	75.56	29.70	75.29	30.09
	-5	-5.6	82.03	30.86	81.76	31.18	81.49	31.49	81.49	31.67	81.49	31.85	79.06	29.84
	-3	-3.7	83.11	32.48	82.84	32.83	82.57	33.18	82.57	33.36	82.57	33.53	79.06	30.86
	0	-0.7	84.73	35.08	84.46	35.43	84.46	35.82	84.19	36.03	84.19	36.00	79.06	32.41
	3	2.2	92.56	34.41	92.56	34.77	92.29	34.31	89.86	32.73	86.35	31.18	79.06	28.12
	5	4.1	107.94	36.70	100.65	33.82	93.63	31.04	89.86	33.18	86.35	28.33	79.06	25.72
7	6	107.94	31.39	100.65	29.10	93.63	26.85	89.86	25.76	86.35	24.67	79.06	22.56	
9	7.9	107.94	29.03	100.65	27.02	93.63	25.09	89.86	24.14	86.35	23.19	79.06	21.36	
11	9.8	107.94	26.95	100.65	25.23	93.63	23.54	89.86	22.73	86.35	21.89	79.06	20.27	
13	11.8	107.94	25.09	100.65	23.61	93.63	22.17	89.86	21.46	86.35	20.73	79.06	19.32	
15	13.7	107.94	23.75	100.65	22.45	93.63	21.15	89.86	20.51	86.35	19.92	79.06	18.65	

Abbreviations:

CR: Combination ratio

TC: Total capacity (kW)

PI: Power input (compressor + outdoor fan motor) (kW)

Notes:

1. Shaded cells indicate rating condition.

Table continued on next page ...

Table 2-8.25: 30HP heating capacity (continued)

CR	Outdoor air temp.		Indoor air temp. °C DB											
			16.0		18.0		20.0		21.0		22.0		24.0	
	°C DB	°C WB	TC	PI	TC	PI	TC	PI	TC	PI	TC	PI	TC	PI
100%	-25	-25.4	69.08	28.85	68.81	29.14	68.54	29.45	68.54	29.63	68.54	29.80	68.27	30.19
	-19.8	-20	69.62	28.85	69.35	29.17	69.08	29.49	69.08	29.66	69.08	29.84	68.81	30.19
	-18.8	-19	70.70	28.92	70.43	29.24	70.16	29.56	70.16	29.70	70.16	29.87	69.89	30.23
	-16.7	-17	71.78	28.96	71.51	29.28	71.51	29.59	71.24	29.77	71.24	29.95	70.97	29.59
	-13.7	-15	72.86	29.03	72.59	29.31	72.59	29.66	72.32	29.80	72.32	29.98	72.05	29.00
	-11.8	-13	73.94	29.07	73.67	29.38	73.67	29.70	73.40	29.87	73.40	30.02	72.05	28.43
	-9.8	-11	74.48	29.10	74.48	29.42	74.21	29.73	74.21	29.87	73.94	30.05	72.05	28.15
	-9.5	-10	75.02	29.14	74.75	29.42	74.75	29.73	74.48	29.91	74.48	30.09	72.05	27.90
	-8.5	-9.1	75.83	29.17	75.83	29.45	75.56	29.77	75.29	29.95	75.29	30.12	72.05	27.52
	-7	-7.6	81.76	29.21	81.49	29.46	81.49	29.78	81.22	31.04	78.52	29.52	72.05	26.64
	-5	-5.6	82.84	29.24	82.57	29.48	82.57	29.80	81.76	32.09	78.52	30.54	72.05	27.55
	-3	-3.7	84.46	29.28	84.19	29.50	84.19	28.82	81.76	30.19	78.52	32.09	72.05	28.96
	0	-0.7	86.62	29.31	91.48	29.52	85.00	28.02	81.76	31.74	78.52	30.26	72.05	27.20
	3	2.2	92.29	31.15	91.48	28.78	85.00	27.21	81.76	29.21	78.52	27.87	72.05	25.19
	5	4.1	97.95	29.53	91.48	27.38	85.00	25.93	81.76	26.67	78.52	25.48	72.05	23.19
7	6	97.95	27.92	91.48	25.97	85.00	24.28	81.76	23.33	78.52	22.34	72.05	20.48	
9	7.9	97.95	26.32	91.48	24.60	85.00	22.87	81.76	22.03	78.52	21.18	72.05	19.53	
11	9.8	97.95	24.63	91.48	23.08	85.00	21.61	81.76	20.87	78.52	20.13	72.05	18.69	
13	11.8	97.95	23.08	91.48	21.78	85.00	20.48	81.76	19.85	78.52	19.21	72.05	17.95	
15	13.7	97.95	21.96	91.48	20.83	85.00	19.67	81.76	19.11	78.52	18.54	72.05	17.42	
90%	-25	-25.4	67.55	29.26	67.19	29.53	66.97	29.86	66.92	30.46	67.98	31.00	64.76	28.03
	-19.8	-20	68.81	29.31	68.54	29.59	68.27	29.91	68.27	30.09	68.27	30.26	64.76	27.45
	-18.8	-19	69.35	29.35	69.08	29.63	68.81	29.95	68.81	30.12	68.81	30.16	64.76	27.17
	-16.7	-17	70.43	29.38	70.16	29.66	70.16	29.98	69.89	30.16	69.89	29.56	64.76	26.60
	-13.7	-15	71.51	29.42	71.24	29.73	71.24	30.05	70.97	30.19	70.70	28.96	64.76	26.07
	-11.8	-13	72.59	29.49	72.32	29.77	72.32	30.09	72.05	29.80	70.70	28.36	64.76	25.58
	-9.8	-11	73.67	29.52	73.67	29.84	73.40	30.12	73.40	29.21	70.70	27.83	64.76	25.09
	-9.5	-10	74.21	29.56	74.21	29.84	73.94	30.16	73.67	28.92	70.70	27.55	64.76	24.84
	-8.5	-9.1	74.75	29.59	74.48	29.87	74.48	30.09	73.67	28.68	70.70	27.31	64.76	24.63
	-7	-7.6	75.56	29.63	75.56	29.91	75.29	29.66	73.67	28.29	70.70	26.92	64.76	24.28
	-5	-5.6	81.49	29.68	81.22	29.94	76.63	28.64	73.67	27.34	70.70	26.07	64.76	23.58
	-3	-3.7	82.57	29.72	82.30	29.97	76.63	29.63	73.67	28.29	70.70	26.99	64.76	24.39
	0	-0.7	84.19	29.76	82.30	30.01	76.63	31.14	73.67	29.73	70.70	28.36	64.76	25.65
	3	2.2	88.24	29.80	82.30	29.49	76.63	27.06	73.67	25.86	70.70	24.67	64.76	22.38
	5	4.1	88.24	29.07	82.30	26.92	76.63	24.81	73.67	23.75	70.70	22.73	64.76	20.76
7	6	88.24	25.27	82.30	23.51	76.63	21.78	73.67	20.94	70.70	20.13	64.76	18.47	
9	7.9	88.24	23.72	82.30	22.20	76.63	20.69	73.67	19.95	70.70	19.21	64.76	17.77	
11	9.8	88.24	22.34	82.30	21.01	76.63	19.71	73.67	19.04	70.70	18.40	64.76	17.14	
13	11.8	88.24	21.11	82.30	19.95	76.63	18.83	73.67	18.26	70.70	17.70	64.76	16.57	
15	13.7	88.24	20.23	82.30	19.21	76.63	18.19	73.67	17.70	70.70	17.21	64.76	16.19	
80%	-25	-25.4	67.28	29.38	67.01	30.18	68.00	29.37	65.30	28.01	62.87	26.68	57.48	24.08
	-19.8	-20	68.54	29.43	68.27	29.74	68.00	28.74	65.30	27.42	62.87	26.13	57.48	23.59
	-18.8	-19	69.08	29.47	68.81	29.74	68.00	28.46	65.30	27.14	62.87	25.85	57.48	23.35
	-16.7	-17	70.16	29.50	69.89	29.81	68.00	27.87	65.30	26.58	62.87	25.33	57.48	22.86
	-13.7	-15	71.24	29.57	70.97	29.85	68.00	27.31	65.30	26.06	62.87	24.84	57.48	22.45
	-11.8	-13	72.32	29.61	72.05	29.29	68.00	26.76	65.30	25.54	62.87	24.36	57.48	22.03
	-9.8	-11	73.40	29.64	73.13	28.70	68.00	26.27	65.30	25.05	62.87	23.91	57.48	21.61
	-9.5	-10	73.94	29.67	73.13	28.42	68.00	25.99	65.30	24.81	62.87	23.66	57.48	21.40
	-8.5	-9.1	74.48	29.71	73.13	28.18	68.00	25.78	65.30	24.60	62.87	23.45	57.48	21.23
	-7	-7.6	75.29	29.74	73.13	27.76	68.00	25.44	65.30	24.29	62.87	23.14	57.48	20.95
	-5	-5.6	78.52	29.15	73.13	26.86	68.00	24.64	65.30	23.52	62.87	22.48	57.48	20.36
	-3	-3.7	78.52	30.16	73.13	27.80	68.00	25.50	65.30	24.36	62.87	23.25	57.48	21.09
	0	-0.7	78.52	31.69	73.13	29.22	68.00	26.79	65.30	25.61	62.87	24.46	57.48	22.20
	3	2.2	78.52	27.52	73.13	25.40	68.00	23.35	65.30	22.34	62.87	21.37	57.48	19.42
	5	4.1	78.52	25.16	73.13	23.35	68.00	21.58	65.30	20.71	62.87	19.84	57.48	18.17
7	6	78.52	22.06	73.13	20.61	68.00	19.15	65.30	18.42	62.87	17.72	57.48	16.33	
9	7.9	78.52	20.92	73.13	19.63	68.00	18.35	65.30	17.72	62.87	17.06	57.48	15.84	
11	9.8	78.52	19.88	73.13	18.73	68.00	17.62	65.30	17.06	62.87	16.51	57.48	15.43	
13	11.8	78.52	18.97	73.13	17.96	68.00	16.99	65.30	16.51	62.87	16.02	57.48	15.05	
15	13.7	78.52	18.31	73.13	17.41	68.00	16.54	65.30	16.12	62.87	15.67	57.48	14.80	

**Abbreviations:**

CR: Combination ratio

TC: Total capacity (kW)

PI: Power input (compressor + outdoor fan motor) (kW)

**Notes:**

1. Shaded cells indicate rating condition.

Table continued on next page ...

Table 2-8.25: 30HP heating capacity (continued)

CR	Outdoor air temp.		Indoor air temp. °C DB											
			16.0		18.0		20.0		21.0		22.0		24.0	
	°C DB	°C WB	TC	PI	TC	PI	TC	PI	TC	PI	TC	PI	TC	PI
70%	-25	-25.4	68.11	30.08	63.95	27.66	59.63	25.34	57.21	24.20	55.05	23.09	50.46	20.89
	-19.8	-20	68.00	29.45	63.95	27.10	59.63	24.84	57.21	23.72	55.05	22.63	50.46	20.48
	-18.8	-19	68.54	29.14	63.95	26.81	59.63	24.56	57.21	23.47	55.05	22.42	50.46	20.30
	-16.7	-17	68.54	28.54	63.95	26.29	59.63	24.10	57.21	23.01	55.05	21.96	50.46	19.92
	-13.7	-15	68.54	27.97	63.95	25.76	59.63	23.61	57.21	22.59	55.05	21.54	50.46	19.53
	-11.8	-13	68.54	27.41	63.95	25.27	59.63	23.19	57.21	22.13	55.05	21.15	50.46	19.18
	-9.8	-11	68.54	26.88	63.95	24.77	59.63	22.73	57.21	21.75	55.05	20.76	50.46	18.83
	-9.5	-10	68.54	26.64	63.95	24.56	59.63	22.52	57.21	21.54	55.05	20.55	50.46	18.69
	-8.5	-9.1	68.54	26.39	63.95	24.35	59.63	22.34	57.21	21.36	55.05	20.41	50.46	18.51
	-7	-7.6	68.54	26.04	63.95	24.00	59.63	22.03	57.21	21.08	55.05	20.13	50.46	18.26
	-5	-5.6	68.54	25.23	63.95	23.29	59.63	21.43	57.21	20.51	55.05	19.60	50.46	17.84
	-3	-3.7	68.54	26.11	63.95	24.10	59.63	22.17	57.21	21.22	55.05	20.30	50.46	18.47
	0	-0.7	68.54	27.45	63.95	25.37	59.63	23.33	57.21	22.34	55.05	21.36	50.46	19.46
	3	2.2	68.54	23.89	63.95	22.13	59.63	20.41	57.21	19.56	55.05	18.72	50.46	17.10
	5	4.1	68.54	22.06	63.95	20.55	59.63	19.04	57.21	18.30	55.05	17.56	50.46	16.12
7	6	68.54	19.56	63.95	18.30	59.63	17.07	57.21	16.43	55.05	15.83	50.46	14.64	
9	7.9	68.54	18.72	63.95	17.59	59.63	16.50	57.21	15.49	55.05	15.41	50.46	14.36	
11	9.8	68.54	17.98	63.95	17.00	59.63	16.01	57.21	15.55	55.05	15.06	50.46	14.11	
13	11.8	68.54	17.31	63.95	16.47	59.63	15.59	57.21	15.17	55.05	14.74	50.46	13.90	
15	13.7	68.54	16.86	63.95	16.08	59.63	15.34	57.21	14.96	55.05	14.57	50.46	13.83	
60%	-25	-25.4	58.83	25.05	55.05	23.10	51.00	21.21	49.11	20.28	46.95	19.39	43.17	17.62
	-19.8	-20	58.83	24.53	55.05	22.63	51.00	20.80	49.11	19.88	46.95	19.00	43.17	17.28
	-18.8	-19	58.83	24.28	55.05	22.42	51.00	20.59	49.11	19.71	46.95	18.83	43.17	17.14
	-16.7	-17	58.83	23.79	55.05	21.96	51.00	20.20	49.11	19.32	46.95	18.47	43.17	16.82
	-13.7	-15	58.83	23.33	55.05	21.54	51.00	19.81	49.11	18.97	46.95	18.16	43.17	16.50
	-11.8	-13	58.83	22.87	55.05	21.15	51.00	19.46	49.11	18.61	46.95	17.81	43.17	16.22
	-9.8	-11	58.83	22.45	55.05	20.76	51.00	19.11	49.11	18.30	46.95	17.49	43.17	15.94
	-9.5	-10	58.83	22.24	55.05	20.55	51.00	18.93	49.11	18.12	46.95	17.35	43.17	15.80
	-8.5	-9.1	58.83	22.09	55.05	20.41	51.00	18.79	49.11	17.98	46.95	17.21	43.17	15.69
	-7	-7.6	58.83	21.75	55.05	20.13	51.00	18.54	49.11	17.77	46.95	17.00	43.17	15.48
	-5	-5.6	58.83	21.15	55.05	19.60	51.00	18.09	49.11	17.35	46.95	16.61	43.17	15.17
	-3	-3.7	58.83	21.92	55.05	20.30	51.00	18.72	49.11	17.98	46.95	17.21	43.17	15.73
	0	-0.7	58.83	23.05	55.05	21.36	51.00	19.74	49.11	18.93	46.95	18.12	43.17	16.57
	3	2.2	58.83	20.16	55.05	18.72	51.00	17.31	49.11	16.64	46.95	15.94	43.17	14.60
	5	4.1	58.83	18.83	55.05	17.56	51.00	16.33	49.11	15.73	46.95	15.13	43.17	13.93
7	6	58.83	16.89	55.05	15.83	51.00	14.81	49.11	14.29	46.95	13.79	43.17	12.81	
9	7.9	58.83	16.36	55.05	15.41	51.00	14.50	49.11	14.04	46.95	13.62	43.17	12.70	
11	9.8	58.83	15.87	55.05	15.06	51.00	14.25	49.11	13.83	46.95	13.44	43.17	12.63	
13	11.8	58.83	15.48	55.05	14.74	51.00	14.04	49.11	13.65	46.95	13.30	43.17	12.60	
15	13.7	58.83	15.24	55.05	14.57	51.00	13.93	49.11	13.62	46.95	13.30	43.17	12.63	
50%	-25	-25.4	49.11	20.24	45.87	18.76	42.63	17.30	40.75	18.11	39.13	15.89	35.89	14.52
	-19.8	-20	49.11	19.88	45.87	18.44	42.63	17.00	40.75	16.33	39.13	15.62	35.89	14.29
	-18.8	-19	49.11	19.71	45.87	18.26	42.63	16.86	40.75	19.67	39.13	15.48	35.89	14.15
	-16.7	-17	49.11	19.32	45.87	17.91	42.63	16.54	40.75	15.87	39.13	15.20	35.89	13.90
	-13.7	-15	49.11	18.97	45.87	17.59	42.63	16.26	40.75	15.59	39.13	14.96	35.89	13.65
	-11.8	-13	49.11	18.61	45.87	17.28	42.63	15.98	40.75	15.31	39.13	14.67	35.89	13.44
	-9.8	-11	49.11	18.30	45.87	17.00	42.63	15.69	40.75	15.06	39.13	14.43	35.89	13.20
	-9.5	-10	49.11	18.12	45.87	16.82	42.63	15.55	40.75	14.92	39.13	14.32	35.89	13.09
	-8.5	-9.1	49.11	17.98	45.87	16.71	42.63	15.45	40.75	14.81	39.13	14.22	35.89	13.02
	-7	-7.6	49.11	17.77	45.87	16.50	42.63	15.24	40.75	14.64	39.13	14.04	35.89	12.84
	-5	-5.6	49.11	17.35	45.87	16.12	42.63	14.92	40.75	14.36	39.13	13.76	35.89	12.63
	-3	-3.7	49.11	17.98	45.87	16.71	42.63	15.48	40.75	14.88	39.13	14.29	35.89	13.09
	0	-0.7	49.11	18.93	45.87	17.59	42.63	16.33	40.75	15.69	39.13	15.06	35.89	13.83
	3	2.2	49.11	16.64	45.87	15.52	42.63	14.39	40.75	13.86	39.13	13.30	35.89	12.25
	5	4.1	49.11	15.73	45.87	14.71	42.63	13.76	40.75	13.27	39.13	12.77	35.89	11.82
7	6	49.11	14.29	45.87	13.48	42.63	12.63	40.75	12.25	39.13	11.82	35.89	11.01	
9	7.9	49.11	14.04	45.87	13.30	42.63	12.56	40.75	12.21	39.13	11.82	35.89	11.12	
11	9.8	49.11	13.83	45.87	13.16	42.63	12.49	40.75	12.18	39.13	11.86	35.89	11.19	
13	11.8	49.11	13.65	45.87	13.05	42.63	12.49	40.75	12.18	39.13	11.86	35.89	11.33	
15	13.7	49.11	13.62	45.87	13.05	42.63	12.53	40.75	12.28	39.13	12.03	35.89	11.51	

Abbreviations:

CR: Combination ratio

TC: Total capacity (kW)

PI: Power input (compressor + outdoor fan motor) (kW)

Notes:

1. Shaded cells indicate rating condition.

Table 2-8.26: 32HP heating capacity

CR	Outdoor air temp.		Indoor air temp. °C DB											
			16.0		18.0		20.0		21.0		22.0		24.0	
	°C DB	°C WB	TC	PI	TC	PI	TC	PI	TC	PI	TC	PI	TC	PI
130%	-25	-25.4	72.54	28.87	72.26	29.15	71.97	29.45	71.74	29.64	71.69	29.82	71.29	30.21
	-19.8	-20	73.80	28.92	73.51	29.22	73.23	29.51	72.94	29.69	72.94	29.88	72.66	30.28
	-18.8	-19	74.37	28.96	74.08	29.22	73.80	29.55	73.80	29.73	73.51	29.91	73.23	30.28
	-16.7	-17	75.51	29.00	75.22	29.29	74.94	29.58	74.94	29.77	74.65	29.95	74.37	30.35
	-13.7	-15	76.65	29.03	76.36	29.33	76.08	29.66	76.08	29.84	75.79	30.02	75.51	30.39
	-11.8	-13	77.79	29.11	77.50	29.40	77.22	29.69	77.22	29.88	76.93	30.06	76.93	30.46
	-9.8	-11	78.92	29.14	78.64	29.44	78.35	29.77	78.35	29.91	78.35	30.10	78.07	30.50
	-9.5	-10	79.49	29.18	79.21	29.44	79.21	29.77	78.92	29.95	78.92	30.13	78.64	30.54
	-8.5	-9.1	80.06	29.18	79.78	29.47	79.49	29.80	79.49	29.99	79.49	30.17	79.21	30.57
	-7	-7.6	80.92	29.22	80.63	29.51	80.63	29.84	80.35	30.02	80.35	30.21	80.06	30.61
	-5	-5.6	87.19	31.34	86.90	31.67	86.62	32.00	86.62	32.22	86.33	32.41	86.05	32.81
	-3	-3.7	88.33	32.99	88.04	33.36	87.76	33.73	87.76	33.91	87.47	34.13	87.19	34.57
	0	-0.7	90.04	35.63	89.75	36.04	89.47	36.44	89.47	36.62	89.18	36.84	89.18	37.32
	3	2.2	98.30	34.97	98.30	35.34	98.01	35.74	97.73	35.93	97.73	36.15	97.44	35.74
	5	4.1	123.66	43.26	123.37	43.00	116.82	39.33	112.26	37.54	107.70	35.78	98.87	32.33
7	6	134.77	39.52	125.65	36.51	116.82	33.58	112.26	32.15	107.70	30.72	98.87	27.97	
9	7.9	134.77	36.07	125.65	33.51	116.82	30.98	112.26	29.77	107.70	28.56	98.87	26.14	
11	9.8	134.77	33.07	125.65	30.83	116.82	28.70	112.26	27.68	107.70	26.61	98.87	24.52	
13	11.8	134.77	30.46	125.65	28.56	116.82	26.72	112.26	25.81	107.70	24.89	98.87	23.09	
15	13.7	134.77	28.48	125.65	26.83	116.82	25.22	112.26	24.41	107.70	23.61	98.87	22.03	
120%	-25	-25.4	72.76	30.16	72.48	30.46	151.76	30.80	72.19	30.97	71.88	31.18	71.67	31.59
	-19.8	-20	73.71	30.20	73.43	30.50	73.14	30.84	73.14	31.03	72.86	31.22	72.57	31.64
	-18.8	-19	74.29	30.24	74.00	30.54	73.71	30.88	73.71	31.03	73.43	31.26	73.14	31.64
	-16.7	-17	75.43	30.28	75.14	30.58	74.86	30.92	74.86	31.11	74.57	31.30	74.57	31.71
	-13.7	-15	76.57	30.31	76.29	30.65	76.00	30.99	76.00	31.15	76.00	31.37	75.71	31.75
	-11.8	-13	77.71	30.39	77.43	30.69	77.14	31.03	77.14	31.22	77.14	31.41	76.86	31.83
	-9.8	-11	78.86	30.43	78.57	30.73	78.57	31.07	78.29	31.26	78.29	31.45	78.00	31.86
	-9.5	-10	79.43	30.46	79.14	30.77	79.14	31.11	78.86	31.30	78.86	31.49	78.57	31.90
	-8.5	-9.1	80.00	30.46	79.71	30.80	79.71	31.15	79.43	31.33	79.43	31.52	79.14	31.90
	-7	-7.6	80.86	30.50	80.57	30.84	80.57	31.18	80.29	31.37	80.29	31.56	80.00	31.94
	-5	-5.6	87.14	32.73	86.86	33.08	86.57	33.45	86.57	33.64	86.57	33.83	86.29	34.25
	-3	-3.7	88.29	34.48	88.00	34.85	87.71	35.23	87.71	35.42	87.43	35.65	87.43	36.07
	0	-0.7	90.00	37.24	89.71	37.62	89.43	38.03	89.43	38.26	89.43	38.49	89.14	38.71
	3	2.2	98.29	36.56	98.29	36.90	98.00	37.31	97.71	37.50	97.71	37.24	91.43	33.53
	5	4.1	123.71	43.82	116.29	40.30	108.00	36.94	103.71	35.27	99.71	33.64	91.43	30.46
7	6	124.57	37.24	116.29	34.44	108.00	31.71	103.71	30.39	99.71	29.10	91.43	26.53	
9	7.9	124.57	34.17	116.29	31.79	108.00	29.48	103.71	28.31	99.71	27.17	91.43	24.94	
11	9.8	124.57	31.52	116.29	29.48	108.00	27.47	103.71	26.49	99.71	25.51	91.43	23.54	
13	11.8	124.57	29.18	116.29	27.44	108.00	25.70	103.71	24.83	99.71	23.99	91.43	22.29	
15	13.7	124.57	27.44	116.29	25.92	108.00	24.37	103.71	23.61	99.71	22.90	91.43	21.42	
110%	-25	-25.4	72.37	30.95	72.04	31.28	71.69	31.62	71.80	31.80	71.54	32.01	71.51	32.41
	-19.8	-20	73.43	31.00	73.14	31.34	72.86	31.69	72.86	31.84	72.57	32.07	72.57	32.45
	-18.8	-19	74.00	31.04	73.71	31.34	73.43	31.69	73.43	31.88	73.14	32.07	73.14	32.49
	-16.7	-17	75.14	31.07	74.86	31.42	74.57	31.76	74.57	31.96	74.57	32.15	74.29	32.53
	-13.7	-15	76.29	31.15	76.00	31.46	75.71	31.80	75.71	31.99	75.71	32.19	75.43	32.61
	-11.8	-13	77.43	31.19	77.14	31.53	77.14	31.88	76.86	32.07	76.86	32.26	76.57	32.65
	-9.8	-11	78.57	31.27	78.29	31.57	78.29	31.92	78.00	32.11	78.00	32.30	77.71	32.72
	-9.5	-10	79.14	31.27	79.14	31.61	78.86	31.96	78.57	32.15	78.57	32.34	78.29	32.72
	-8.5	-9.1	79.71	31.30	79.43	31.61	79.43	31.99	79.14	32.15	79.14	32.34	78.86	32.76
	-7	-7.6	80.57	31.34	80.29	31.65	80.29	32.03	80.00	32.19	80.00	32.38	79.71	32.80
	-5	-5.6	86.86	33.64	86.57	33.99	86.29	34.33	86.29	34.53	86.29	34.72	83.71	32.53
	-3	-3.7	88.00	35.41	87.71	35.79	87.43	36.18	87.43	36.37	87.43	36.56	83.71	33.64
	0	-0.7	89.71	38.25	89.43	38.63	89.43	39.05	89.14	39.28	89.14	39.24	83.71	35.33
	3	2.2	98.00	37.52	98.00	37.90	97.71	37.40	95.14	35.68	91.43	33.99	83.71	30.65
	5	4.1	114.29	40.01	106.57	36.87	99.14	33.84	95.14	36.18	91.43	30.88	83.71	28.04
7	6	114.29	34.22	106.57	31.73	99.14	29.27	95.14	28.08	91.43	26.89	83.71	24.59	
9	7.9	114.29	31.65	106.57	29.46	99.14	27.35	95.14	26.32	91.43	25.28	83.71	23.29	
11	9.8	114.29	29.39	106.57	27.51	99.14	25.66	95.14	24.78	91.43	23.86	83.71	22.10	
13	11.8	114.29	27.35	106.57	25.74	99.14	24.17	95.14	23.40	91.43	22.60	83.71	21.06	
15	13.7	114.29	25.89	106.57	24.48	99.14	23.06	95.14	22.37	91.43	21.71	83.71	20.33	

**Abbreviations:**

CR: Combination ratio

TC: Total capacity (kW)

PI: Power input (compressor + outdoor fan motor) (kW)

**Notes:**

1. Shaded cells indicate rating condition.

Table continued on next page ...



Table 2-8.26: 32HP heating capacity (continued)

CR	Outdoor air temp.		Indoor air temp. °C DB											
			16.0		18.0		20.0		21.0		22.0		24.0	
	°C DB	°C WB	TC	PI	TC	PI	TC	PI	TC	PI	TC	PI	TC	PI
100%	-25	-25.4	73.14	31.46	72.86	31.76	72.57	32.11	72.57	32.30	72.57	32.49	72.29	32.91
	-19.8	-20	73.71	31.46	73.43	31.80	73.14	32.15	73.14	32.34	73.14	32.53	72.86	32.91
	-18.8	-19	74.86	31.53	74.57	31.88	74.29	32.22	74.29	32.38	74.29	32.57	74.00	32.95
	-16.7	-17	76.00	31.57	75.71	31.92	75.71	32.26	75.43	32.45	75.43	32.65	75.14	32.26
	-13.7	-15	77.14	31.65	76.86	31.96	76.86	32.34	76.57	32.49	76.57	32.68	76.29	31.61
	-11.8	-13	78.29	31.69	78.00	32.03	78.00	32.38	77.71	32.57	77.71	32.72	76.29	31.00
	-9.8	-11	78.86	31.73	78.86	32.07	78.57	32.42	78.57	32.57	78.29	32.76	76.29	30.69
	-9.5	-10	79.43	31.76	79.14	32.07	79.14	32.42	78.86	32.61	78.86	32.80	76.29	30.42
	-8.5	-9.1	80.29	31.80	80.29	32.11	80.00	32.45	79.71	32.65	79.71	32.84	76.29	30.00
	-7	-7.6	86.57	31.84	86.29	32.12	86.29	32.47	86.00	33.84	83.14	32.19	76.29	29.04
	-5	-5.6	87.71	31.88	87.43	32.14	87.43	32.49	86.57	34.99	83.14	33.30	76.29	30.04
	-3	-3.7	89.43	31.92	89.14	32.16	89.14	31.42	86.57	32.91	83.14	34.99	76.29	31.57
	0	-0.7	91.71	31.96	96.86	32.18	90.00	30.54	86.57	34.60	83.14	32.99	76.29	29.65
	3	2.2	97.71	33.96	96.86	31.38	90.00	29.67	86.57	31.84	83.14	30.38	76.29	27.47
	5	4.1	103.71	32.20	96.86	29.85	90.00	28.27	86.57	29.08	83.14	27.77	76.29	25.28
7	6	103.71	30.43	96.86	28.31	90.00	26.47	86.57	25.43	83.14	24.36	76.29	22.33	
9	7.9	103.71	28.70	96.86	26.82	90.00	24.94	86.57	24.01	83.14	23.09	76.29	21.29	
11	9.8	103.71	26.85	96.86	25.17	90.00	23.55	86.57	22.75	83.14	21.94	76.29	20.37	
13	11.8	103.71	25.17	96.86	23.75	90.00	22.33	86.57	21.64	83.14	20.95	76.29	19.56	
15	13.7	103.71	23.94	96.86	22.71	90.00	21.44	86.57	20.83	83.14	20.22	76.29	18.99	
90%	-25	-25.4	71.52	31.90	71.14	32.20	70.91	32.55	70.86	33.21	71.98	33.80	68.57	30.56
	-19.8	-20	72.86	31.96	72.57	32.26	72.29	32.61	72.29	32.80	72.29	32.99	68.57	29.92
	-18.8	-19	73.43	31.99	73.14	32.30	72.86	32.65	72.86	32.84	72.86	32.88	68.57	29.62
	-16.7	-17	74.57	32.03	74.29	32.34	74.29	32.68	74.00	32.88	74.00	32.22	68.57	29.00
	-13.7	-15	75.71	32.07	75.43	32.42	75.43	32.76	75.14	32.91	74.86	31.57	68.57	28.43
	-11.8	-13	76.86	32.15	76.57	32.45	76.57	32.80	76.29	32.49	74.86	30.92	68.57	27.89
	-9.8	-11	78.00	32.19	78.00	32.53	77.71	32.84	77.71	31.84	74.86	30.34	68.57	27.35
	-9.5	-10	78.57	32.22	78.57	32.53	78.29	32.88	78.00	31.53	74.86	30.04	68.57	27.08
	-8.5	-9.1	79.14	32.26	78.86	32.57	78.86	32.80	78.00	31.27	74.86	29.77	68.57	26.85
	-7	-7.6	80.00	32.30	80.00	32.61	79.71	32.34	78.00	30.84	74.86	29.35	68.57	26.47
	-5	-5.6	86.29	32.36	86.00	32.64	81.14	31.23	78.00	29.81	74.86	28.43	68.57	25.70
	-3	-3.7	87.43	32.40	87.14	32.68	81.14	32.30	78.00	30.84	74.86	29.42	68.57	26.59
	0	-0.7	89.14	32.45	87.14	32.71	81.14	33.95	78.00	32.42	74.86	30.92	68.57	27.97
	3	2.2	93.43	32.49	87.14	32.15	81.14	29.50	78.00	28.20	74.86	26.89	68.57	24.40
	5	4.1	93.43	31.69	87.14	29.35	81.14	27.05	78.00	25.89	74.86	24.78	68.57	22.63
7	6	93.43	27.54	87.14	25.63	81.14	23.75	78.00	22.83	74.86	21.94	68.57	20.14	
9	7.9	93.43	25.86	87.14	24.21	81.14	22.56	78.00	21.75	74.86	20.95	68.57	19.37	
11	9.8	93.43	24.36	87.14	22.90	81.14	21.48	78.00	20.75	74.86	20.06	68.57	18.68	
13	11.8	93.43	23.02	87.14	21.75	81.14	20.52	78.00	19.91	74.86	19.30	68.57	18.07	
15	13.7	93.43	22.06	87.14	20.95	81.14	19.83	78.00	19.30	74.86	18.76	68.57	17.65	
80%	-25	-25.4	71.24	32.03	70.95	32.90	72.00	32.02	69.14	30.54	66.57	29.09	60.86	26.25
	-19.8	-20	72.57	32.09	72.29	32.43	72.00	31.33	69.14	29.89	66.57	28.49	60.86	25.72
	-18.8	-19	73.14	32.12	72.86	32.43	72.00	31.03	69.14	29.59	66.57	28.18	60.86	25.46
	-16.7	-17	74.29	32.16	74.00	32.50	72.00	30.38	69.14	28.98	66.57	27.62	60.86	24.93
	-13.7	-15	75.43	32.24	75.14	32.54	72.00	29.78	69.14	28.41	66.57	27.09	60.86	24.47
	-11.8	-13	76.57	32.28	76.29	31.93	72.00	29.17	69.14	27.84	66.57	26.56	60.86	24.02
	-9.8	-11	77.71	32.31	77.43	31.29	72.00	28.64	69.14	27.31	66.57	26.06	60.86	23.56
	-9.5	-10	78.29	32.35	77.43	30.99	72.00	28.34	69.14	27.05	66.57	25.80	60.86	23.34
	-8.5	-9.1	78.86	32.39	77.43	30.72	72.00	28.11	69.14	26.82	66.57	25.57	60.86	23.15
	-7	-7.6	79.71	32.43	77.43	30.27	72.00	27.73	69.14	26.48	66.57	25.23	60.86	22.84
	-5	-5.6	83.14	31.78	77.43	29.28	72.00	26.86	69.14	25.65	66.57	24.51	60.86	22.20
	-3	-3.7	83.14	32.88	77.43	30.31	72.00	27.81	69.14	26.56	66.57	25.34	60.86	22.99
	0	-0.7	83.14	34.55	77.43	31.86	72.00	29.21	69.14	27.92	66.57	26.67	60.86	24.21
	3	2.2	83.14	30.00	77.43	27.69	72.00	25.46	69.14	24.36	66.57	23.30	60.86	21.18
	5	4.1	83.14	27.43	77.43	25.46	72.00	23.52	69.14	22.58	66.57	21.63	60.86	19.81
7	6	83.14	24.06	77.43	22.46	72.00	20.87	69.14	20.08	66.57	19.32	60.86	17.80	
9	7.9	83.14	22.80	77.43	21.40	72.00	20.00	69.14	19.32	66.57	18.60	60.86	17.27	
11	9.8	83.14	21.67	77.43	20.42	72.00	19.21	69.14	18.60	66.57	17.99	60.86	16.82	
13	11.8	83.14	20.68	77.43	19.58	72.00	18.52	69.14	17.99	66.57	17.46	60.86	16.40	
15	13.7	83.14	19.96	77.43	18.98	72.00	18.03	69.14	17.58	66.57	17.08	60.86	16.14	

Abbreviations:

- CR: Combination ratio
- TC: Total capacity (kW)
- PI: Power input (compressor + outdoor fan motor) (kW)

Notes:

1. Shaded cells indicate rating condition.

Table continued on next page ...



Table 2-8.26: 32HP heating capacity (continued)

CR	Outdoor air temp.		Indoor air temp. °C DB											
			16.0		18.0		20.0		21.0		22.0		24.0	
	°C DB	°C WB	TC	PI	TC	PI	TC	PI	TC	PI	TC	PI	TC	PI
70%	-25	-25.4	73.14	31.46	72.86	31.76	72.57	32.11	72.57	32.30	72.57	32.49	72.29	32.91
	-19.8	-20	73.71	31.46	73.43	31.80	73.14	32.15	73.14	32.34	73.14	32.53	72.86	32.91
	-18.8	-19	74.86	31.53	74.57	31.88	74.29	32.22	74.29	32.38	74.29	32.57	74.00	32.95
	-16.7	-17	76.00	31.57	75.71	31.92	75.71	32.26	75.43	32.45	75.43	32.65	75.14	32.26
	-13.7	-15	77.14	31.65	76.86	31.96	76.86	32.34	76.57	32.49	76.57	32.68	76.29	31.61
	-11.8	-13	78.29	31.69	78.00	32.03	78.00	32.38	77.71	32.57	77.71	32.72	76.29	31.00
	-9.8	-11	78.86	31.73	78.86	32.07	78.57	32.42	78.57	32.57	78.29	32.76	76.29	30.69
	-9.5	-10	79.43	31.76	79.14	32.07	79.14	32.42	78.86	32.61	78.86	32.80	76.29	30.42
	-8.5	-9.1	80.29	31.80	80.29	32.11	80.00	32.45	79.71	32.65	79.71	32.84	76.29	30.00
	-7	-7.6	86.57	31.84	86.29	32.12	86.29	32.47	86.00	33.84	83.14	32.19	76.29	29.04
	-5	-5.6	87.71	31.88	87.43	32.14	87.43	32.49	86.57	34.99	83.14	33.30	76.29	30.04
	-3	-3.7	89.43	31.92	89.14	32.16	89.14	31.42	86.57	32.91	83.14	34.99	76.29	31.57
	0	-0.7	91.71	31.96	96.86	32.18	90.00	30.54	86.57	34.60	83.14	32.99	76.29	29.65
	3	2.2	97.71	33.96	96.86	31.38	90.00	29.67	86.57	31.84	83.14	30.38	76.29	27.47
	5	4.1	103.71	32.20	96.86	29.85	90.00	28.27	86.57	29.08	83.14	27.77	76.29	25.28
	7	6	103.71	30.43	96.86	28.31	90.00	26.47	86.57	25.43	83.14	24.36	76.29	22.33
	9	7.9	103.71	28.70	96.86	26.82	90.00	24.94	86.57	24.01	83.14	23.09	76.29	21.29
11	9.8	103.71	26.85	96.86	25.17	90.00	23.55	86.57	22.75	83.14	21.94	76.29	20.37	
13	11.8	103.71	25.17	96.86	23.75	90.00	22.33	86.57	21.64	83.14	20.95	76.29	19.56	
15	13.7	103.71	23.94	96.86	22.71	90.00	21.44	189.43	20.83	83.14	20.22	76.29	18.99	
60%	-25	-25.4	71.52	31.90	71.14	32.20	70.91	32.55	70.86	33.21	71.98	33.80	68.57	30.56
	-19.8	-20	72.86	31.96	72.57	32.26	72.29	32.61	72.29	32.80	72.29	32.99	68.57	29.92
	-18.8	-19	73.43	31.99	73.14	32.30	72.86	32.65	72.86	32.84	72.86	32.88	68.57	29.62
	-16.7	-17	74.57	32.03	74.29	32.34	74.29	32.68	74.00	32.88	74.00	32.22	68.57	29.00
	-13.7	-15	75.71	32.07	75.43	32.42	75.43	32.76	75.14	32.91	74.86	31.57	68.57	28.43
	-11.8	-13	76.86	32.15	76.57	32.45	76.57	32.80	76.29	32.49	74.86	30.92	68.57	27.89
	-9.8	-11	78.00	32.19	78.00	32.53	77.71	32.84	77.71	31.84	74.86	30.34	68.57	27.35
	-9.5	-10	78.57	32.22	78.57	32.53	78.29	32.88	78.00	31.53	74.86	30.04	68.57	27.08
	-8.5	-9.1	79.14	32.26	78.86	32.57	78.86	32.80	78.00	31.27	74.86	29.77	68.57	26.85
	-7	-7.6	80.00	32.30	80.00	32.61	79.71	32.34	78.00	30.84	74.86	29.35	68.57	26.47
	-5	-5.6	86.29	32.36	86.00	32.64	81.14	31.23	78.00	29.81	74.86	28.43	68.57	25.70
	-3	-3.7	87.43	32.40	87.14	32.68	81.14	32.30	78.00	30.84	74.86	29.42	68.57	26.59
	0	-0.7	89.14	32.45	87.14	32.71	81.14	33.95	78.00	32.42	74.86	30.92	68.57	27.97
	3	2.2	93.43	32.49	87.14	32.15	81.14	29.50	78.00	28.20	74.86	26.89	68.57	24.40
	5	4.1	93.43	31.69	87.14	29.35	81.14	27.05	78.00	25.89	74.86	24.78	68.57	22.63
	7	6	93.43	27.54	87.14	25.63	81.14	23.75	78.00	22.83	74.86	21.94	68.57	20.14
	9	7.9	93.43	25.86	87.14	24.21	81.14	22.56	78.00	21.75	74.86	20.95	68.57	19.37
11	9.8	93.43	24.36	87.14	22.90	81.14	21.48	78.00	20.75	74.86	20.06	68.57	18.68	
13	11.8	93.43	23.02	87.14	21.75	81.14	20.52	78.00	19.91	74.86	19.30	68.57	18.07	
15	13.7	93.43	22.06	87.14	20.95	81.14	19.83	78.00	19.30	74.86	18.76	68.57	17.65	
50%	-25	-25.4	71.24	32.03	70.95	32.90	72.00	32.02	69.14	30.54	66.57	29.09	60.86	26.25
	-19.8	-20	72.57	32.09	72.29	32.43	72.00	31.33	69.14	29.89	66.57	28.49	60.86	25.72
	-18.8	-19	73.14	32.12	72.86	32.43	72.00	31.03	69.14	29.59	66.57	28.18	60.86	25.46
	-16.7	-17	74.29	32.16	74.00	32.50	72.00	30.38	69.14	28.98	66.57	27.62	60.86	24.93
	-13.7	-15	75.43	32.24	75.14	32.54	72.00	29.78	69.14	28.41	66.57	27.09	60.86	24.47
	-11.8	-13	76.57	32.28	76.29	31.93	72.00	29.17	69.14	27.84	66.57	26.56	60.86	24.02
	-9.8	-11	77.71	32.31	77.43	31.29	72.00	28.64	69.14	27.31	66.57	26.06	60.86	23.56
	-9.5	-10	78.29	32.35	77.43	30.99	72.00	28.34	69.14	27.05	66.57	25.80	60.86	23.34
	-8.5	-9.1	78.86	32.39	77.43	30.72	72.00	28.11	69.14	26.82	66.57	25.57	60.86	23.15
	-7	-7.6	79.71	32.43	77.43	30.27	72.00	27.73	69.14	26.48	66.57	25.23	60.86	22.84
	-5	-5.6	83.14	31.78	77.43	29.28	72.00	26.86	69.14	25.65	66.57	24.51	60.86	22.20
	-3	-3.7	83.14	32.88	77.43	30.31	72.00	27.81	69.14	26.56	66.57	25.34	60.86	22.99
	0	-0.7	83.14	34.55	77.43	31.86	72.00	29.21	69.14	27.92	66.57	26.67	60.86	24.21
	3	2.2	83.14	30.00	77.43	27.69	72.00	25.46	69.14	24.36	66.57	23.30	60.86	21.18
	5	4.1	83.14	27.43	77.43	25.46	72.00	23.52	69.14	22.58	66.57	21.63	60.86	19.81
	7	6	83.14	24.06	77.43	22.46	72.00	20.87	69.14	20.08	66.57	19.32	60.86	17.80
	9	7.9	83.14	22.80	77.43	21.40	72.00	20.00	69.14	19.32	66.57	18.60	60.86	17.27
11	9.8	83.14	21.67	77.43	20.42	72.00	19.21	69.14	18.60	66.57	17.99	60.86	16.82	
13	11.8	83.14	20.68	77.43	19.58	72.00	18.52	69.14	17.99	66.57	17.46	60.86	16.40	
15	13.7	83.14	19.96	77.43	18.98	72.00	18.03	69.14	17.58	66.57	17.08	60.86	16.14	

**Abbreviations:**

CR: Combination ratio

TC: Total capacity (kW)

PI: Power input (compressor + outdoor fan motor) (kW)

**Notes:**

1. Shaded cells indicate rating condition.

### 8.3 Capacity Correction Factors for Piping Length and Level Difference

Figure 2-8.1: Rate of change in cooling capacity

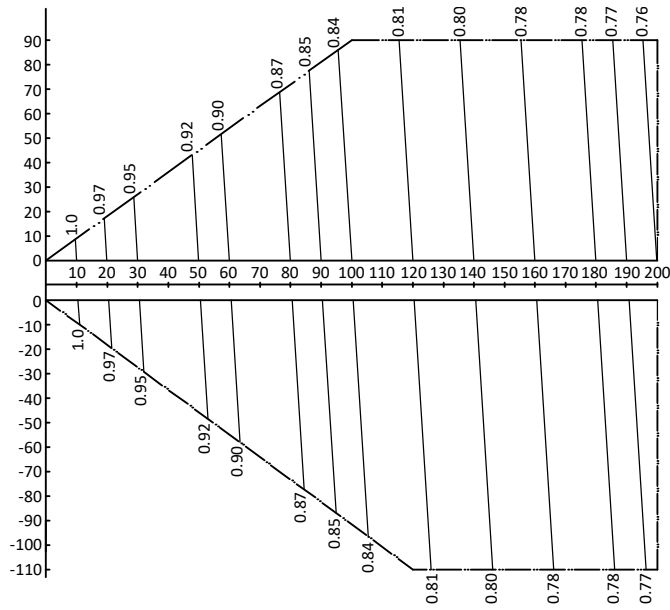
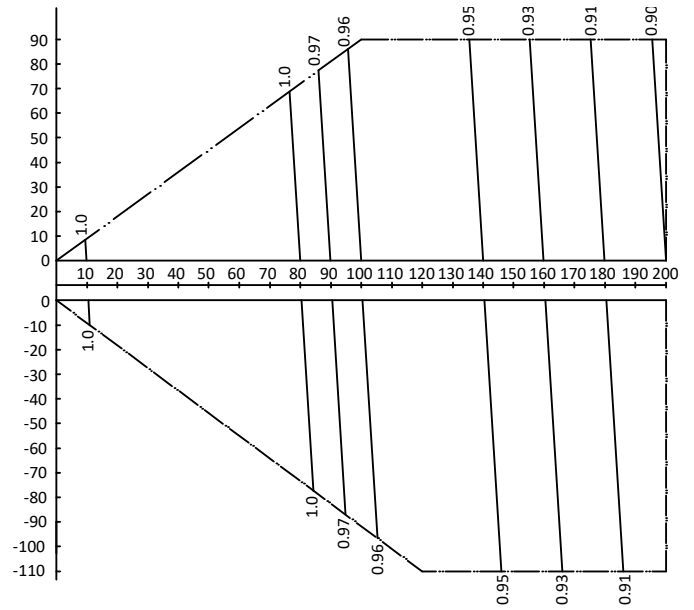


Figure 2-8.2: Rate of change in heating capacity



- Notes:
- The horizontal axis shows equivalent length of piping between farthest indoor unit and first outdoor branch joint; the vertical axis shows the largest level difference between indoor unit and outdoor unit. For level differences, positive values indicate that the outdoor unit is above the indoor unit, negative values indicate that the outdoor unit is below the indoor unit.
  - These figures illustrate the rate of change in capacity of a system with only standard indoor units at maximum load (with the thermostat set to maximum) under standard conditions. Under partial load conditions there is only a minor deviation from the rate of change in capacity shown in these figures.
  - The capacity of the system is either the total capacity of the indoor units obtained from indoor unit capacity tables or the corrected capacity of the outdoor units as per the calculations below, whichever is smaller.

Corrected capacity of outdoor units	=	Capacity of outdoor units obtained from outdoor unit capacity tables at the combination ratio	x	Capacity correction factor
-------------------------------------	---	---	---	----------------------------

### 8.4 Capacity Correction Factors for Frost Accumulation

The heating capacity tables do not take account of the reduction in capacity when frost has accumulated or while the defrosting operation is in progress. If snow has accumulated against the outside surface of the outdoor unit heat exchanger heating capacity is reduced. The reduction in heating capacity is dependent on a number of factors including the outdoor temperature, the relative humidity and the amount of frosting which has occurred.

Corrected heating capacity values, which take these factors into account, can be calculated as follows, using the correction factors for frost accumulation given in Table 2-8.17:

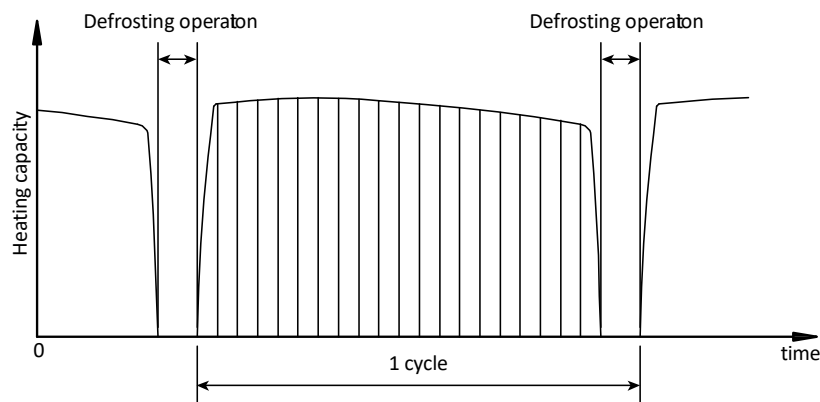
$$\text{Corrected heating capacity} = \text{Value given in outdoor heating capacity table} \times \text{Correction factor for frost accumulation}$$

Table 2-8.27: Correction factor for frost accumulation

Heat exchanger inlet port temperature (°C / RH 85%)	-7	-5	-2	0	2	5	7
Correction factor for frost accumulation	0.94	0.93	0.89	0.84	0.83	0.91	1.00

Corrected heating capacities express the heating capacity over the heating/defrosting cycle shown in Figure 2-8.43.

Figure 2-8.3: Defrosting cycle



8.5 Cooling Part Load Performance at 100% Combination Ratio

Table 2-8.28: 8HP cooling part load performance

Part load	Outdoor air temp. (°CDB)	Indoor air temp. (°C DB/WD)													
		20.8/14		23.3/16		25.8/18		27/19		28.2/20		30.7/22		32/24	
		TC	PI	TC	PI	TC	PI	TC	PI	TC	PI	TC	PI	TC	PI
		kW	kW	kW	kW	kW	kW	kW	kW	kW	kW	kW	kW	kW	kW
100%	-5	17.7	1.98	20.8	2.16	24.8	2.38	25.2	2.80	27.3	2.73	31.4	3.02	32.4	3.34
	-2	17.7	2.01	20.8	2.19	24.8	2.43	25.2	2.82	27.3	2.77	31.4	3.06	32.4	3.36
	0	17.7	2.03	20.8	2.22	24.8	2.47	25.2	2.86	27.3	2.80	31.4	3.12	32.4	3.40
	2	17.7	2.06	20.8	2.24	24.8	2.53	25.2	2.89	27.3	2.83	31.4	3.17	32.4	3.45
	4	17.7	2.08	20.8	2.28	24.8	2.56	25.2	2.93	27.3	2.87	31.4	3.20	32.4	3.49
	6	17.7	2.13	20.8	2.32	24.8	2.60	25.2	2.99	27.3	2.91	31.4	3.25	32.4	3.55
	8	17.7	2.16	20.8	2.36	24.8	2.65	25.2	3.05	27.3	2.96	31.4	3.31	32.4	3.61
	10	17.7	2.20	20.8	2.41	24.8	2.69	25.2	3.09	27.3	3.02	31.4	3.37	32.4	3.66
	12	17.7	2.25	20.8	2.46	24.8	2.80	25.2	3.16	27.3	3.08	31.4	3.43	31.9	3.69
	14	17.7	2.29	20.8	2.51	24.8	2.93	25.2	3.36	27.3	3.14	31.4	3.51	31.6	3.74
	16	17.7	2.34	20.8	2.57	24.8	3.00	25.2	3.44	27.3	3.21	30.5	3.55	31.1	3.78
	18	17.7	2.38	20.8	2.62	24.8	3.11	25.2	3.58	27.3	3.28	30.1	3.68	30.7	3.88
	20	17.7	2.44	20.8	2.71	24.8	3.37	25.2	3.82	27.3	3.52	29.7	3.87	30.3	4.07
	21	17.7	2.46	20.8	2.83	24.8	3.61	25.2	4.05	27.3	3.65	29.5	3.96	30.1	4.17
	23	17.7	2.63	20.8	3.05	24.8	3.89	25.2	4.33	27.3	3.93	29.1	4.16	29.7	4.36
	25	17.7	2.82	20.8	3.29	24.8	4.19	25.2	4.55	27.3	4.22	28.7	4.35	29.3	4.56
	27	17.7	3.01	20.8	3.54	24.8	4.44	25.2	4.82	27.3	4.52	28.2	4.55	28.9	4.76
	29	17.7	3.22	20.8	3.80	24.8	4.77	25.2	4.96	27.2	4.81	27.9	4.91	28.5	4.95
	31	17.7	3.44	20.8	4.07	24.8	5.11	25.2	5.06	26.9	5.01	27.4	5.09	28.0	5.15
	33	17.7	3.67	20.8	4.36	24.8	5.35	25.2	5.20	26.4	5.20	27.1	5.28	27.7	5.35
35	17.7	3.91	20.8	4.68	24.8	5.46	25.2	5.54	26.0	5.55	26.6	5.60	27.2	5.66	
37	17.7	4.17	20.8	5.01	24.8	5.50	24.9	5.79	25.7	5.87	26.2	5.95	26.8	6.03	
39	17.7	4.44	20.8	5.35	24.8	5.60	24.6	6.02	25.4	6.12	25.8	6.24	26.4	6.29	
41	17.7	4.61	20.8	5.56	24.8	5.68	24.2	6.23	25.0	6.36	24.9	6.42	26.0	6.49	
43	17.7	4.78	20.8	5.67	24.8	5.87	24.2	6.53	24.7	6.63	25.0	6.75	25.1	6.80	
45	17.7	5.00	20.8	5.82	24.8	6.24	24.0	6.94	24.3	7.33	24.8	7.70	24.7	7.84	
48	17.7	5.76	20.8	6.21	24.8	6.65	23.7	7.48	24.0	7.92	24.2	8.37	24.3	8.81	
50	17.7	6.53	20.8	6.97	24.8	7.41	23.5	7.86	23.6	8.30	23.9	8.74	24.0	9.19	
52	17.7	7.29	20.8	7.73	24.8	8.18	23.3	8.62	23.3	9.06	23.5	9.51	23.6	9.95	
54	17.7	8.06	20.8	8.50	24.8	8.94	23.1	9.39	22.9	9.83	23.1	10.27	23.2	10.71	
75%	-5	12.8	1.16	15.3	1.20	17.7	1.40	19.0	1.61	20.6	1.73	23.4	1.99	25.2	2.28
	-2	12.8	1.18	15.3	1.21	17.7	1.42	19.0	1.62	20.6	1.76	23.4	2.01	25.2	2.31
	0	12.8	1.19	15.3	1.23	17.7	1.44	19.0	1.63	20.6	1.78	23.4	2.04	25.2	2.32
	2	12.8	1.21	15.3	1.25	17.7	1.46	19.0	1.67	20.6	1.81	23.4	2.08	25.2	2.36
	4	12.8	1.22	15.3	1.27	17.7	1.48	19.0	1.70	20.6	1.83	23.4	2.11	25.2	2.39
	6	12.8	1.25	15.3	1.29	17.7	1.51	19.0	1.73	20.6	1.86	23.4	2.14	25.2	2.43
	8	12.8	1.27	15.3	1.32	17.7	1.54	19.0	1.76	20.6	1.89	23.4	2.18	25.2	2.46
	10	12.8	1.29	15.3	1.35	17.7	1.57	19.0	1.79	20.6	1.94	23.4	2.21	25.2	2.50
	12	12.8	1.32	15.3	1.37	17.7	1.60	19.0	1.83	20.6	1.97	23.4	2.25	25.2	2.54
	14	12.8	1.34	15.3	1.40	17.7	1.63	19.0	1.88	20.6	2.01	23.4	2.30	25.2	2.59
	16	12.8	1.37	15.3	1.43	17.7	1.67	19.0	1.89	20.6	2.05	23.4	2.34	25.2	2.63
	18	12.8	1.40	15.3	1.46	17.7	1.70	19.0	1.90	20.6	2.09	23.4	2.39	25.2	2.72
	20	12.8	1.43	15.3	1.49	17.7	1.74	19.0	2.02	20.6	2.17	23.4	2.57	25.2	2.84
	21	12.8	1.44	15.3	1.50	17.7	1.77	19.0	2.16	20.6	2.24	23.4	2.66	25.2	2.91
	23	12.8	1.54	15.3	1.56	17.7	1.90	19.0	2.28	20.6	2.41	23.4	2.85	25.2	3.04
	25	12.8	1.65	15.3	1.68	17.7	2.04	19.0	2.45	20.6	2.57	23.4	3.05	25.2	3.18
	27	12.8	1.76	15.3	1.79	17.7	2.18	19.0	2.62	20.6	2.75	23.4	3.27	25.2	3.31
	29	12.8	1.89	15.3	1.91	17.7	2.34	19.0	2.75	20.6	2.94	23.4	3.42	25.2	3.44
	31	12.8	2.02	15.3	2.04	17.7	2.50	19.0	2.93	20.6	3.14	23.4	3.55	25.2	3.58
	33	12.8	2.15	15.3	2.17	17.7	2.67	19.0	3.11	20.6	3.35	23.4	3.69	25.2	3.71
35	12.8	2.29	15.3	2.32	17.7	2.85	19.0	3.25	20.6	3.57	23.4	3.82	25.2	3.85	
37	12.8	2.45	15.3	2.47	17.7	3.04	19.0	3.40	20.6	3.80	23.4	3.96	25.2	3.99	
39	12.8	2.61	15.3	2.63	17.7	3.24	19.0	3.53	20.6	4.05	23.4	4.09	25.2	4.12	
41	12.8	2.70	15.3	2.75	17.7	3.36	19.0	3.66	20.6	4.07	23.4	4.20	25.2	4.22	
43	12.8	2.80	15.3	2.87	17.7	3.48	19.0	3.83	20.6	4.16	23.4	4.25	25.2	4.29	
45	12.8	2.93	15.3	3.02	17.7	3.63	19.0	4.07	20.6	4.27	23.4	4.62	25.2	4.82	
48	12.8	3.38	15.3	3.70	17.7	4.03	19.0	4.35	20.6	4.68	23.4	5.00	25.2	5.33	
50	12.8	3.83	15.3	4.15	17.7	4.48	19.0	4.80	20.6	5.13	23.4	5.45	25.2	5.78	
52	12.8	4.28	15.3	4.60	17.7	4.93	19.0	5.25	20.6	5.58	23.4	5.90	25.2	6.22	
54	12.8	4.72	15.3	5.05	17.7	5.37	19.0	5.70	20.6	6.02	23.4	6.35	25.2	6.67	

Abbreviations:

TC: Total capacity (kW)

PI: Power input (compressor + outdoor fan motor) (kW)

Table continued on next page ...

Table 2-8.28: 8HP cooling part load performance (continued)

Part load	Outdoor air temp. (°CDB)	Indoor air temp. (°C DB/WD)													
		20.8/14		23.3/16		25.8/18		27/19		28.2/20		30.7/22		32/24	
		TC	PI	TC	PI	TC	PI	TC	PI	TC	PI	TC	PI	TC	PI
		kW	kW	kW	kW	kW	kW	kW	kW	kW	kW	kW	kW	kW	kW
50%	-5	8.6	0.65	10.2	0.71	11.9	0.78	12.7	1.00	13.8	1.09	15.7	1.21	16.9	1.39
	-2	8.6	0.66	10.2	0.72	11.9	0.79	12.7	1.02	13.8	1.11	15.7	1.23	16.9	1.40
	0	8.6	0.67	10.2	0.73	11.9	0.81	12.7	1.03	13.8	1.12	15.7	1.25	16.9	1.42
	2	8.6	0.68	10.2	0.74	11.9	0.82	12.7	1.05	13.8	1.14	15.7	1.28	16.9	1.44
	4	8.6	0.68	10.2	0.75	11.9	0.83	12.7	1.06	13.8	1.16	15.7	1.30	16.9	1.46
	6	8.6	0.70	10.2	0.76	11.9	0.85	12.7	1.08	13.8	1.19	15.7	1.32	16.9	1.49
	8	8.6	0.71	10.2	0.78	11.9	0.86	12.7	1.10	13.8	1.21	15.7	1.35	16.9	1.52
	10	8.6	0.72	10.2	0.79	11.9	0.88	12.7	1.14	13.8	1.23	15.7	1.37	16.9	1.51
	12	8.6	0.74	10.2	0.81	11.9	0.90	12.7	1.16	13.8	1.26	15.7	1.40	16.9	1.54
	14	8.6	0.75	10.2	0.83	11.9	0.92	12.7	1.18	13.8	1.28	15.7	1.42	16.9	1.56
	16	8.6	0.77	10.2	0.84	11.9	0.94	12.7	1.20	13.8	1.30	15.7	1.45	16.9	1.59
	18	8.6	0.78	10.2	0.86	11.9	0.95	12.7	1.22	13.8	1.33	15.7	1.47	16.9	1.62
	20	8.6	0.80	10.2	0.89	11.9	0.97	12.7	1.24	13.8	1.34	15.7	1.50	16.9	1.65
	21	8.6	0.81	10.2	0.93	11.9	0.99	12.7	1.33	13.8	1.36	15.7	1.52	16.9	1.69
	23	8.6	0.86	10.2	1.00	11.9	1.06	12.7	1.42	13.8	1.45	15.7	1.58	16.9	1.70
	25	8.6	0.92	10.2	1.08	11.9	1.14	12.7	1.50	13.8	1.54	15.7	1.68	16.9	1.81
	27	8.6	0.99	10.2	1.16	11.9	1.22	12.7	1.57	13.8	1.64	15.7	1.79	16.9	1.93
	29	8.6	1.06	10.2	1.25	11.9	1.31	12.7	1.64	13.8	1.75	15.7	1.91	16.9	2.07
	31	8.6	1.13	10.2	1.34	11.9	1.40	12.7	1.73	13.8	1.86	15.7	2.04	16.9	2.21
	33	8.6	1.21	10.2	1.43	11.9	1.49	12.7	1.80	13.8	1.98	15.7	2.17	16.9	2.35
35	8.6	1.29	10.2	1.54	11.9	1.60	12.7	1.82	13.8	2.10	15.7	2.31	16.9	2.50	
37	8.6	1.37	10.2	1.64	11.9	1.70	12.7	1.90	13.8	2.23	15.7	2.45	16.9	2.66	
39	8.6	1.46	10.2	1.76	11.9	1.81	12.7	1.98	13.8	2.31	15.7	2.60	16.9	2.83	
41	8.6	1.51	10.2	1.82	11.9	1.88	12.7	2.05	13.8	2.39	15.7	2.73	16.9	3.02	
43	8.6	1.57	10.2	1.86	11.9	1.95	12.7	2.14	13.8	2.51	15.7	2.84	16.9	3.15	
45	8.6	1.70	10.2	2.09	11.9	2.21	12.7	2.33	13.8	2.71	15.7	2.97	16.9	3.29	
48	8.6	1.95	10.2	2.18	11.9	2.42	12.7	2.66	13.8	2.89	15.7	3.13	16.9	3.37	
50	8.6	2.20	10.2	2.43	11.9	2.67	12.7	2.91	13.8	3.14	15.7	3.38	16.9	3.62	
52	8.6	2.45	10.2	2.69	11.9	2.92	12.7	3.16	13.8	3.40	15.7	3.63	16.9	3.87	
54	8.6	2.70	10.2	2.94	11.9	3.17	12.7	3.41	13.8	3.65	15.7	3.88	16.9	4.12	
25%	-5	4.3	0.35	5.1	0.39	5.9	0.42	6.3	0.58	6.9	0.60	7.8	0.69	8.4	0.74
	-2	4.3	0.36	5.1	0.39	5.9	0.43	6.3	0.60	6.9	0.62	7.8	0.70	8.4	0.75
	0	4.3	0.36	5.1	0.40	5.9	0.44	6.3	0.60	6.9	0.62	7.8	0.71	8.4	0.76
	2	4.3	0.37	5.1	0.40	5.9	0.44	6.3	0.60	6.9	0.63	7.8	0.71	8.4	0.78
	4	4.3	0.37	5.1	0.41	5.9	0.45	6.3	0.60	6.9	0.65	7.8	0.73	8.4	0.80
	6	4.3	0.38	5.1	0.41	5.9	0.46	6.3	0.61	6.9	0.66	7.8	0.74	8.4	0.82
	8	4.3	0.39	5.1	0.42	5.9	0.47	6.3	0.61	6.9	0.67	7.8	0.75	8.4	0.85
	10	4.3	0.39	5.1	0.43	5.9	0.48	6.3	0.60	6.9	0.69	7.8	0.77	8.4	0.86
	12	4.3	0.40	5.1	0.44	5.9	0.49	6.3	0.61	6.9	0.70	7.8	0.79	8.4	0.88
	14	4.3	0.41	5.1	0.45	5.9	0.50	6.3	0.61	6.9	0.71	7.8	0.80	8.4	0.89
	16	4.3	0.42	5.1	0.46	5.9	0.51	6.3	0.61	6.9	0.72	7.8	0.81	8.4	0.91
	18	4.3	0.43	5.1	0.47	5.9	0.52	6.3	0.62	6.9	0.73	7.8	0.83	8.4	0.92
	20	4.3	0.43	5.1	0.48	5.9	0.53	6.3	0.64	6.9	0.75	7.8	0.84	8.4	0.94
	21	4.3	0.44	5.1	0.50	5.9	0.54	6.3	0.68	6.9	0.75	7.8	0.85	8.4	0.95
	23	4.3	0.47	5.1	0.54	5.9	0.58	6.3	0.72	6.9	0.77	7.8	0.86	8.4	0.97
	25	4.3	0.50	5.1	0.59	5.9	0.62	6.3	0.77	6.9	0.79	7.8	0.91	8.4	1.04
	27	4.3	0.54	5.1	0.63	5.9	0.66	6.3	0.83	6.9	0.84	7.8	0.97	8.4	1.11
	29	4.3	0.57	5.1	0.68	5.9	0.71	6.3	0.85	6.9	0.90	7.8	1.03	8.4	1.18
	31	4.3	0.61	5.1	0.73	5.9	0.76	6.3	0.91	6.9	0.95	7.8	1.09	8.4	1.25
	33	4.3	0.66	5.1	0.78	5.9	0.81	6.3	0.96	6.9	1.01	7.8	1.16	8.4	1.33
35	4.3	0.70	5.1	0.83	5.9	0.87	6.3	0.99	6.9	1.07	7.8	1.24	8.4	1.41	
37	4.3	0.74	5.1	0.89	5.9	0.92	6.3	1.03	6.9	1.13	7.8	1.31	8.4	1.50	
39	4.3	0.79	5.1	0.95	5.9	0.99	6.3	1.07	6.9	1.20	7.8	1.39	8.4	1.60	
41	4.3	0.82	5.1	0.99	5.9	1.02	6.3	1.11	6.9	1.25	7.8	1.46	8.4	1.67	
43	4.3	0.85	5.1	1.01	5.9	1.06	6.3	1.18	6.9	1.29	7.8	1.54	8.4	1.74	
45	4.3	0.89	5.1	1.14	5.9	1.21	6.3	1.31	6.9	1.44	7.8	1.69	8.4	1.82	
48	4.3	1.05	5.1	1.20	5.9	1.34	6.3	1.49	6.9	1.64	7.8	1.79	8.4	1.94	
50	4.3	1.20	5.1	1.35	5.9	1.50	6.3	1.65	6.9	1.80	7.8	1.95	8.4	2.09	
52	4.3	1.36	5.1	1.51	5.9	1.66	6.3	1.80	6.9	1.95	7.8	2.10	8.4	2.25	
54	4.3	1.52	5.1	1.66	5.9	1.81	6.3	1.96	6.9	2.11	7.8	2.26	8.4	2.41	

Abbreviations:

TC: Total capacity (kW)

PI: Power input (compressor + outdoor fan motor) (kW)

Table 2-8.29: 10HP cooling part load performance

Part load	Outdoor air temp. (°CDB)	Indoor air temp. (°C DB/WD)													
		20.8/14		23.3/16		25.8/18		27/19		28.2/20		30.7/22		32/24	
		TC	PI	TC	PI	TC	PI	TC	PI	TC	PI	TC	PI	TC	PI
		kW	kW	kW	kW	kW	kW	kW	kW	kW	kW	kW	kW	kW	kW
100%	-5	19.6	2.39	23.1	2.60	27.6	2.87	28.0	3.37	30.4	3.29	34.9	3.64	36.0	4.02
	-2	19.6	2.42	23.1	2.63	27.6	2.93	28.0	3.39	30.4	3.34	34.9	3.69	36.0	4.04
	0	19.6	2.45	23.1	2.67	27.6	2.98	28.0	3.45	30.4	3.37	34.9	3.76	36.0	4.09
	2	19.6	2.48	23.1	2.70	27.6	3.04	28.0	3.48	30.4	3.41	34.9	3.82	36.0	4.16
	4	19.6	2.51	23.1	2.75	27.6	3.08	28.0	3.53	30.4	3.46	34.9	3.86	36.0	4.20
	6	19.6	2.56	23.1	2.79	27.6	3.13	28.0	3.60	30.4	3.51	34.9	3.92	36.0	4.27
	8	19.6	2.60	23.1	2.85	27.6	3.19	28.0	3.67	30.4	3.57	34.9	3.98	36.0	4.34
	10	19.6	2.65	23.1	2.90	27.6	3.24	28.0	3.72	30.4	3.64	34.9	4.05	36.0	4.41
	12	19.6	2.71	23.1	2.96	27.6	3.37	28.0	3.80	30.4	3.71	34.9	4.13	35.5	4.44
	14	19.6	2.76	23.1	3.02	27.6	3.52	28.0	4.04	30.4	3.78	34.9	4.22	35.1	4.50
	16	19.6	2.81	23.1	3.10	27.6	3.61	28.0	4.14	30.4	3.86	33.9	4.28	34.6	4.55
	18	19.6	2.87	23.1	3.16	27.6	3.75	28.0	4.31	30.4	3.94	33.5	4.43	34.2	4.67
	20	19.6	2.93	23.1	3.27	27.6	4.06	28.0	4.60	30.4	4.24	33.0	4.66	33.7	4.90
	21	19.6	2.96	23.1	3.40	27.6	4.35	28.0	4.88	30.4	4.39	32.8	4.77	33.5	5.02
	23	19.6	3.17	23.1	3.67	27.6	4.68	28.0	5.22	30.4	4.73	32.4	5.01	33.0	5.25
	25	19.6	3.39	23.1	3.96	27.6	5.05	28.0	5.48	30.4	5.08	31.9	5.24	32.6	5.48
	27	19.6	3.62	23.1	4.26	27.6	5.35	28.0	5.81	30.4	5.45	31.4	5.47	32.1	5.73
	29	19.6	3.88	23.1	4.57	27.6	5.75	28.0	5.98	30.3	5.80	31.0	5.92	31.7	5.96
	31	19.6	4.15	23.1	4.90	27.6	6.15	28.0	6.09	29.9	6.03	30.5	6.13	31.2	6.20
	33	19.6	4.42	23.1	5.25	27.6	6.44	28.0	6.26	29.4	6.26	30.1	6.35	30.8	6.45
	35	19.6	4.71	23.1	5.63	27.6	6.57	28.0	6.67	28.9	6.68	29.6	6.75	30.3	6.81
	37	19.6	5.03	23.1	6.03	27.6	6.62	27.6	6.97	28.6	7.07	29.2	7.16	29.8	7.26
	39	19.6	5.35	23.1	6.44	27.6	6.74	27.3	7.24	28.2	7.37	28.7	7.51	29.4	7.58
	41	19.6	5.55	23.1	6.69	27.6	6.84	26.9	7.50	27.8	7.66	27.6	7.73	28.9	7.81
	43	19.6	5.75	23.1	6.82	27.6	7.06	26.8	7.86	27.4	7.99	27.8	8.12	27.9	8.18
45	19.6	6.02	23.1	7.01	27.6	7.51	26.7	8.36	27.0	8.82	27.5	9.26	27.4	9.44	
48	19.6	6.94	23.1	7.47	27.6	8.00	26.4	9.01	26.6	9.54	26.9	10.07	27.0	10.61	
50	19.6	7.86	23.1	8.39	27.6	8.93	26.1	9.46	26.2	9.99	26.5	10.53	26.6	11.06	
52	19.6	8.78	23.1	9.31	27.6	9.85	25.9	10.38	25.8	10.91	26.1	11.45	26.2	11.98	
54	19.6	9.70	23.1	10.23	27.6	10.77	25.6	11.30	25.4	11.83	25.7	12.37	25.8	12.90	
75%	-5	14.2	1.40	17.0	1.45	19.7	1.68	21.1	1.94	22.9	2.09	26.0	2.40	28.0	2.75
	-2	14.2	1.42	17.0	1.46	19.7	1.71	21.1	1.95	22.9	2.11	26.0	2.42	28.0	2.78
	0	14.2	1.44	17.0	1.48	19.7	1.73	21.1	1.96	22.9	2.14	26.0	2.45	28.0	2.80
	2	14.2	1.46	17.0	1.50	19.7	1.75	21.1	2.01	22.9	2.17	26.0	2.50	28.0	2.84
	4	14.2	1.47	17.0	1.53	19.7	1.78	21.1	2.05	22.9	2.20	26.0	2.54	28.0	2.88
	6	14.2	1.50	17.0	1.56	19.7	1.82	21.1	2.09	22.9	2.24	26.0	2.58	28.0	2.93
	8	14.2	1.53	17.0	1.59	19.7	1.86	21.1	2.12	22.9	2.28	26.0	2.63	28.0	2.96
	10	14.2	1.56	17.0	1.62	19.7	1.89	21.1	2.16	22.9	2.33	26.0	2.66	28.0	3.00
	12	14.2	1.59	17.0	1.66	19.7	1.93	21.1	2.20	22.9	2.38	26.0	2.71	28.0	3.06
	14	14.2	1.62	17.0	1.69	19.7	1.97	21.1	2.27	22.9	2.42	26.0	2.76	28.0	3.12
	16	14.2	1.65	17.0	1.72	19.7	2.01	21.1	2.28	22.9	2.47	26.0	2.82	28.0	3.17
	18	14.2	1.68	17.0	1.75	19.7	2.05	21.1	2.28	22.9	2.52	26.0	2.87	28.0	3.22
	20	14.2	1.72	17.0	1.80	19.7	2.09	21.1	2.43	22.9	2.61	26.0	3.09	28.0	3.42
	21	14.2	1.74	17.0	1.81	19.7	2.13	21.1	2.60	22.9	2.70	26.0	3.20	28.0	3.50
	23	14.2	1.86	17.0	1.88	19.7	2.29	21.1	2.75	22.9	2.90	26.0	3.44	28.0	3.66
	25	14.2	1.99	17.0	2.02	19.7	2.46	21.1	2.95	22.9	3.10	26.0	3.68	28.0	3.82
	27	14.2	2.13	17.0	2.16	19.7	2.63	21.1	3.16	22.9	3.31	26.0	3.94	28.0	3.99
	29	14.2	2.27	17.0	2.30	19.7	2.81	21.1	3.31	22.9	3.54	26.0	4.12	28.0	4.15
	31	14.2	2.43	17.0	2.46	19.7	3.00	21.1	3.53	22.9	3.78	26.0	4.28	28.0	4.31
	33	14.2	2.59	17.0	2.62	19.7	3.21	21.1	3.74	22.9	4.03	26.0	4.44	28.0	4.47
	35	14.2	2.76	17.0	2.79	19.7	3.43	21.1	3.91	22.9	4.29	26.0	4.60	28.0	4.64
	37	14.2	2.95	17.0	2.97	19.7	3.66	21.1	4.09	22.9	4.58	26.0	4.76	28.0	4.80
	39	14.2	3.14	17.0	3.17	19.7	3.90	21.1	4.25	22.9	4.88	26.0	4.93	28.0	4.97
	41	14.2	3.25	17.0	3.31	19.7	4.05	21.1	4.40	22.9	4.90	26.0	5.05	28.0	5.08
	43	14.2	3.37	17.0	3.46	19.7	4.19	21.1	4.61	22.9	5.01	26.0	5.12	28.0	5.16
45	14.2	3.53	17.0	3.64	19.7	4.37	21.1	4.90	22.9	5.15	26.0	5.56	28.0	5.80	
48	14.2	4.07	17.0	4.46	19.7	4.85	21.1	5.24	22.9	5.63	26.0	6.02	28.0	6.41	
50	14.2	4.61	17.0	5.00	19.7	5.39	21.1	5.78	22.9	6.17	26.0	6.56	28.0	6.95	
52	14.2	5.15	17.0	5.54	19.7	5.93	21.1	6.32	22.9	6.71	26.0	7.10	28.0	7.49	
54	14.2	5.69	17.0	6.08	19.7	6.47	21.1	6.86	22.9	7.25	26.0	7.64	28.0	8.03	

Abbreviations:

TC: Total capacity (kW)

PI: Power input (compressor + outdoor fan motor) (kW)

Table continued on next page ...

Table 2-8.29: 10HP cooling part load performance (continued)

Part load	Outdoor air temp. (°CDB)	Indoor air temp. (°C DB/WD)													
		20.8/14		23.3/16		25.8/18		27/19		28.2/20		30.7/22		32/24	
		TC	PI	TC	PI	TC	PI	TC	PI	TC	PI	TC	PI	TC	PI
		kW	kW	kW	kW	kW	kW	kW	kW	kW	kW	kW	kW	kW	kW
50%	-5	9.5	0.78	11.4	0.85	13.2	0.94	14.1	1.20	15.3	1.31	17.5	1.46	18.8	1.68
	-2	9.5	0.80	11.4	0.87	13.2	0.96	14.1	1.22	15.3	1.34	17.5	1.48	18.8	1.69
	0	9.5	0.80	11.4	0.88	13.2	0.97	14.1	1.24	15.3	1.35	17.5	1.50	18.8	1.71
	2	9.5	0.82	11.4	0.89	13.2	0.98	14.1	1.26	15.3	1.37	17.5	1.54	18.8	1.73
	4	9.5	0.82	11.4	0.90	13.2	1.00	14.1	1.28	15.3	1.40	17.5	1.56	18.8	1.75
	6	9.5	0.84	11.4	0.92	13.2	1.02	14.1	1.31	15.3	1.43	17.5	1.59	18.8	1.80
	8	9.5	0.85	11.4	0.93	13.2	1.04	14.1	1.33	15.3	1.46	17.5	1.62	18.8	1.82
	10	9.5	0.87	11.4	0.95	13.2	1.06	14.1	1.37	15.3	1.48	17.5	1.65	18.8	1.82
	12	9.5	0.89	11.4	0.97	13.2	1.08	14.1	1.39	15.3	1.51	17.5	1.68	18.8	1.85
	14	9.5	0.91	11.4	0.99	13.2	1.10	14.1	1.42	15.3	1.54	17.5	1.71	18.8	1.88
	16	9.5	0.92	11.4	1.02	13.2	1.13	14.1	1.44	15.3	1.57	17.5	1.74	18.8	1.92
	18	9.5	0.94	11.4	1.04	13.2	1.15	14.1	1.46	15.3	1.60	17.5	1.77	18.8	1.95
	20	9.5	0.96	11.4	1.07	13.2	1.17	14.1	1.49	15.3	1.61	17.5	1.81	18.8	1.99
	21	9.5	0.97	11.4	1.12	13.2	1.19	14.1	1.60	15.3	1.64	17.5	1.83	18.8	2.03
	23	9.5	1.04	11.4	1.21	13.2	1.28	14.1	1.71	15.3	1.74	17.5	1.90	18.8	2.05
	25	9.5	1.11	11.4	1.30	13.2	1.37	14.1	1.81	15.3	1.86	17.5	2.03	18.8	2.18
	27	9.5	1.19	11.4	1.40	13.2	1.47	14.1	1.89	15.3	1.98	17.5	2.16	18.8	2.33
	29	9.5	1.27	11.4	1.50	13.2	1.58	14.1	1.97	15.3	2.11	17.5	2.31	18.8	2.49
	31	9.5	1.36	11.4	1.61	13.2	1.68	14.1	2.08	15.3	2.24	17.5	2.45	18.8	2.66
	33	9.5	1.45	11.4	1.73	13.2	1.80	14.1	2.17	15.3	2.38	17.5	2.61	18.8	2.83
35	9.5	1.55	11.4	1.85	13.2	1.92	14.1	2.19	15.3	2.52	17.5	2.78	18.8	3.01	
37	9.5	1.65	11.4	1.98	13.2	2.05	14.1	2.29	15.3	2.68	17.5	2.95	18.8	3.21	
39	9.5	1.76	11.4	2.12	13.2	2.18	14.1	2.38	15.3	2.78	17.5	3.13	18.8	3.41	
41	9.5	1.82	11.4	2.20	13.2	2.27	14.1	2.46	15.3	2.88	17.5	3.28	18.8	3.63	
43	9.5	1.89	11.4	2.24	13.2	2.35	14.1	2.58	15.3	3.02	17.5	3.42	18.8	3.79	
45	9.5	2.04	11.4	2.52	13.2	2.67	14.1	2.81	15.3	3.26	17.5	3.57	18.8	3.96	
48	9.5	2.34	11.4	2.63	13.2	2.91	14.1	3.20	15.3	3.48	17.5	3.77	18.8	4.05	
50	9.5	2.65	11.4	2.93	13.2	3.22	14.1	3.50	15.3	3.79	17.5	4.07	18.8	4.35	
52	9.5	2.95	11.4	3.23	13.2	3.52	14.1	3.80	15.3	4.09	17.5	4.37	18.8	4.66	
54	9.5	3.25	11.4	3.54	13.2	3.82	14.1	4.11	15.3	4.39	17.5	4.67	18.8	4.96	
25%	-5	4.8	0.43	5.7	0.46	6.6	0.51	7.0	0.70	7.6	0.73	8.7	0.83	9.4	0.89
	-2	4.8	0.43	5.7	0.47	6.6	0.52	7.0	0.72	7.6	0.74	8.7	0.84	9.4	0.90
	0	4.8	0.44	5.7	0.48	6.6	0.53	7.0	0.72	7.6	0.75	8.7	0.85	9.4	0.92
	2	4.8	0.44	5.7	0.48	6.6	0.53	7.0	0.72	7.6	0.76	8.7	0.86	9.4	0.94
	4	4.8	0.45	5.7	0.49	6.6	0.54	7.0	0.73	7.6	0.78	8.7	0.88	9.4	0.96
	6	4.8	0.46	5.7	0.50	6.6	0.55	7.0	0.73	7.6	0.79	8.7	0.89	9.4	0.99
	8	4.8	0.46	5.7	0.51	6.6	0.57	7.0	0.74	7.6	0.80	8.7	0.91	9.4	1.02
	10	4.8	0.47	5.7	0.52	6.6	0.58	7.0	0.73	7.6	0.83	8.7	0.93	9.4	1.04
	12	4.8	0.48	5.7	0.53	6.6	0.59	7.0	0.73	7.6	0.84	8.7	0.95	9.4	1.05
	14	4.8	0.49	5.7	0.54	6.6	0.60	7.0	0.74	7.6	0.86	8.7	0.96	9.4	1.07
	16	4.8	0.50	5.7	0.55	6.6	0.61	7.0	0.74	7.6	0.87	8.7	0.98	9.4	1.09
	18	4.8	0.51	5.7	0.56	6.6	0.62	7.0	0.74	7.6	0.88	8.7	1.00	9.4	1.11
	20	4.8	0.52	5.7	0.58	6.6	0.64	7.0	0.78	7.6	0.90	8.7	1.01	9.4	1.13
	21	4.8	0.53	5.7	0.61	6.6	0.65	7.0	0.82	7.6	0.91	8.7	1.02	9.4	1.14
	23	4.8	0.56	5.7	0.66	6.6	0.70	7.0	0.87	7.6	0.93	8.7	1.04	9.4	1.17
	25	4.8	0.60	5.7	0.71	6.6	0.75	7.0	0.93	7.6	0.95	8.7	1.09	9.4	1.25
	27	4.8	0.65	5.7	0.76	6.6	0.80	7.0	1.00	7.6	1.01	8.7	1.17	9.4	1.33
	29	4.8	0.69	5.7	0.82	6.6	0.86	7.0	1.03	7.6	1.08	8.7	1.24	9.4	1.42
	31	4.8	0.74	5.7	0.87	6.6	0.91	7.0	1.10	7.6	1.14	8.7	1.32	9.4	1.51
	33	4.8	0.79	5.7	0.94	6.6	0.98	7.0	1.16	7.6	1.21	8.7	1.40	9.4	1.60
35	4.8	0.84	5.7	1.00	6.6	1.04	7.0	1.19	7.6	1.29	8.7	1.49	9.4	1.70	
37	4.8	0.90	5.7	1.08	6.6	1.11	7.0	1.24	7.6	1.36	8.7	1.58	9.4	1.81	
39	4.8	0.95	5.7	1.15	6.6	1.19	7.0	1.29	7.6	1.45	8.7	1.67	9.4	1.92	
41	4.8	0.99	5.7	1.19	6.6	1.23	7.0	1.34	7.6	1.51	8.7	1.76	9.4	2.01	
43	4.8	1.03	5.7	1.22	6.6	1.28	7.0	1.43	7.6	1.55	8.7	1.85	9.4	2.10	
45	4.8	1.07	5.7	1.37	6.6	1.46	7.0	1.57	7.6	1.73	8.7	2.03	9.4	2.19	
48	4.8	1.26	5.7	1.44	6.6	1.62	7.0	1.80	7.6	1.98	8.7	2.15	9.4	2.33	
50	4.8	1.45	5.7	1.63	6.6	1.81	7.0	1.98	7.6	2.16	8.7	2.34	9.4	2.52	
52	4.8	1.64	5.7	1.82	6.6	1.99	7.0	2.17	7.6	2.35	8.7	2.53	9.4	2.71	
54	4.8	1.83	5.7	2.00	6.6	2.18	7.0	2.36	7.6	2.54	8.7	2.72	9.4	2.90	

Abbreviations:

TC: Total capacity (kW)

PI: Power input (compressor + outdoor fan motor) (kW)



# V6-i VRF 50/60Hz



Table 2-8.30: 12HP cooling part load performance

Part load	Outdoor air temp. (°CDB)	Indoor air temp. (°C DB/WD)													
		20.8/14		23.3/16		25.8/18		27/19		28.2/20		30.7/22		32/24	
		TC	PI	TC	PI	TC	PI	TC	PI	TC	PI	TC	PI	TC	PI
		kW	kW	kW	kW	kW	kW	kW	kW	kW	kW	kW	kW	kW	kW
100%	-5	23.5	3.20	27.6	3.48	33.0	3.84	33.5	4.51	36.3	4.40	41.8	4.88	43.0	5.38
	-2	23.5	3.24	27.6	3.53	33.0	3.92	33.5	4.54	36.3	4.47	41.8	4.94	43.0	5.41
	0	23.5	3.28	27.6	3.57	33.0	3.98	33.5	4.61	36.3	4.51	41.8	5.03	43.0	5.47
	2	23.5	3.32	27.6	3.62	33.0	4.07	33.5	4.65	36.3	4.56	41.8	5.11	43.0	5.56
	4	23.5	3.36	27.6	3.68	33.0	4.13	33.5	4.72	36.3	4.63	41.8	5.16	43.0	5.63
	6	23.5	3.43	27.6	3.73	33.0	4.20	33.5	4.82	36.3	4.70	41.8	5.24	43.0	5.72
	8	23.5	3.48	27.6	3.81	33.0	4.28	33.5	4.91	36.3	4.78	41.8	5.33	43.0	5.81
	10	23.5	3.55	27.6	3.88	33.0	4.34	33.5	4.99	36.3	4.87	41.8	5.43	43.0	5.90
	12	23.5	3.62	27.6	3.96	33.0	4.51	33.5	5.09	36.3	4.97	41.8	5.53	42.4	5.95
	14	23.5	3.70	27.6	4.05	33.0	4.72	33.5	5.41	36.3	5.06	41.8	5.65	41.9	6.02
	16	23.5	3.77	27.6	4.15	33.0	4.83	33.5	5.55	36.3	5.17	40.5	5.73	41.3	6.09
	18	23.5	3.84	27.6	4.23	33.0	5.02	33.5	5.76	36.3	5.28	40.0	5.93	40.9	6.25
	20	23.5	3.93	27.6	4.37	33.0	5.44	33.5	6.16	36.3	5.68	39.4	6.23	40.3	6.56
	21	23.5	3.96	27.6	4.56	33.0	5.82	33.5	6.53	36.3	5.88	39.2	6.39	40.0	6.72
	23	23.5	4.24	27.6	4.92	33.0	6.26	33.5	6.98	36.3	6.33	38.7	6.70	39.4	7.03
	25	23.5	4.54	27.6	5.30	33.0	6.76	33.5	7.33	36.3	6.80	38.1	7.02	39.0	7.34
	27	23.5	4.85	27.6	5.70	33.0	7.16	33.5	7.77	36.3	7.29	37.5	7.33	38.4	7.67
	29	23.5	5.19	27.6	6.12	33.0	7.70	33.5	8.00	36.2	7.76	37.0	7.92	37.9	7.98
	31	23.5	5.55	27.6	6.56	33.0	8.23	33.5	8.15	35.7	8.07	36.4	8.21	37.3	8.31
	33	23.5	5.92	27.6	7.03	33.0	8.62	33.5	8.38	35.1	8.39	36.0	8.51	36.8	8.63
	35	23.5	6.31	27.6	7.54	33.0	8.80	33.5	8.93	34.5	8.94	35.4	9.03	36.2	9.12
	37	23.5	6.73	27.6	8.07	33.0	8.86	33.1	9.34	34.2	9.47	34.9	9.59	35.6	9.72
	39	23.5	7.16	27.6	8.62	33.0	9.02	32.6	9.70	33.7	9.86	34.3	10.06	35.1	10.14
	41	23.5	7.43	27.6	8.96	33.0	9.15	32.2	10.05	33.2	10.25	33.0	10.35	34.6	10.46
	43	23.5	7.70	27.6	9.13	33.0	9.46	32.1	10.52	32.8	10.69	33.2	10.87	33.4	10.96
	45	23.5	8.06	27.6	9.39	33.0	10.05	31.9	11.19	32.3	11.81	33.0	12.40	32.8	12.64
	48	23.5	9.29	27.6	10.00	33.0	10.72	31.5	12.06	31.8	12.77	32.2	13.49	32.3	14.20
	50	23.5	10.52	27.6	11.23	33.0	11.95	31.3	12.66	31.4	13.38	31.7	14.09	31.8	14.81
52	23.5	11.75	27.6	12.47	33.0	13.18	31.0	13.90	30.9	14.61	31.2	15.32	31.4	16.04	
54	23.5	12.99	27.6	13.70	33.0	14.41	30.7	15.13	30.4	15.84	30.7	16.56	30.9	17.27	
75%	-5	17.0	1.87	20.3	1.94	23.6	2.25	25.2	2.60	27.4	2.80	31.1	3.22	33.5	3.68
	-2	17.0	1.90	20.3	1.96	23.6	2.28	25.2	2.61	27.4	2.83	31.1	3.25	33.5	3.72
	0	17.0	1.92	20.3	1.98	23.6	2.32	25.2	2.62	27.4	2.87	31.1	3.28	33.5	3.75
	2	17.0	1.95	20.3	2.01	23.6	2.35	25.2	2.70	27.4	2.91	31.1	3.35	33.5	3.80
	4	17.0	1.97	20.3	2.04	23.6	2.39	25.2	2.74	27.4	2.95	31.1	3.40	33.5	3.86
	6	17.0	2.01	20.3	2.08	23.6	2.43	25.2	2.79	27.4	3.00	31.1	3.46	33.5	3.92
	8	17.0	2.04	20.3	2.13	23.6	2.49	25.2	2.84	27.4	3.05	31.1	3.52	33.5	3.96
	10	17.0	2.08	20.3	2.17	23.6	2.54	25.2	2.89	27.4	3.12	31.1	3.57	33.5	4.02
	12	17.0	2.13	20.3	2.22	23.6	2.59	25.2	2.94	27.4	3.18	31.1	3.63	33.5	4.10
	14	17.0	2.17	20.3	2.26	23.6	2.63	25.2	3.04	27.4	3.24	31.1	3.70	33.5	4.17
	16	17.0	2.21	20.3	2.30	23.6	2.69	25.2	3.05	27.4	3.30	31.1	3.77	33.5	4.25
	18	17.0	2.25	20.3	2.35	23.6	2.74	25.2	3.06	27.4	3.37	31.1	3.85	33.5	4.38
	20	17.0	2.30	20.3	2.40	23.6	2.80	25.2	3.26	27.4	3.49	31.1	4.14	33.5	4.58
	21	17.0	2.32	20.3	2.42	23.6	2.85	25.2	3.49	27.4	3.62	31.1	4.29	33.5	4.69
	23	17.0	2.49	20.3	2.52	23.6	3.06	25.2	3.68	27.4	3.88	31.1	4.60	33.5	4.91
	25	17.0	2.66	20.3	2.70	23.6	3.29	25.2	3.95	27.4	4.15	31.1	4.92	33.5	5.12
	27	17.0	2.85	20.3	2.89	23.6	3.52	25.2	4.23	27.4	4.44	31.1	5.27	33.5	5.34
	29	17.0	3.04	20.3	3.08	23.6	3.77	25.2	4.43	27.4	4.74	31.1	5.51	33.5	5.55
	31	17.0	3.25	20.3	3.29	23.6	4.02	25.2	4.72	27.4	5.05	31.1	5.72	33.5	5.77
	33	17.0	3.47	20.3	3.50	23.6	4.30	25.2	5.01	27.4	5.39	31.1	5.95	33.5	5.99
	35	17.0	3.70	20.3	3.74	23.6	4.59	25.2	5.24	27.4	5.75	31.1	6.16	33.5	6.21
	37	17.0	3.95	20.3	3.98	23.6	4.90	25.2	5.47	27.4	6.13	31.1	6.38	33.5	6.43
	39	17.0	4.20	20.3	4.24	23.6	5.22	25.2	5.69	27.4	6.54	31.1	6.60	33.5	6.65
	41	17.0	4.36	20.3	4.44	23.6	5.42	25.2	5.89	27.4	6.56	31.1	6.77	33.5	6.81
	43	17.0	4.51	20.3	4.63	23.6	5.61	25.2	6.17	27.4	6.70	31.1	6.86	33.5	6.91
	45	17.0	4.72	20.3	4.87	23.6	5.85	25.2	6.56	27.4	6.89	31.1	7.45	33.5	7.77
	48	17.0	5.45	20.3	5.97	23.6	6.49	25.2	7.02	27.4	7.54	31.1	8.06	33.5	8.59
	50	17.0	6.17	20.3	6.69	23.6	7.22	25.2	7.74	27.4	8.26	31.1	8.79	33.5	9.31
52	17.0	6.89	20.3	7.42	23.6	7.94	25.2	8.46	27.4	8.99	31.1	9.51	33.5	10.03	
54	17.0	7.61	20.3	8.14	23.6	8.66	25.2	9.19	27.4	9.71	31.1	10.23	33.5	10.76	

Abbreviations:

TC: Total capacity (kW)

PI: Power input (compressor + outdoor fan motor) (kW)

Table continued on next page ...

Table 2-8.30: 12HP cooling part load performance (continued)

Part load	Outdoor air temp. (°CDB)	Indoor air temp. (°C DB/WD)													
		20.8/14		23.3/16		25.8/18		27/19		28.2/20		30.7/22		32/24	
		TC kW	PI kW	TC kW	PI kW	TC kW	PI kW	TC kW	PI kW	TC kW	PI kW	TC kW	PI kW	TC kW	PI kW
50%	-5	11.4	1.05	13.6	1.14	15.8	1.26	16.9	1.61	18.4	1.76	20.9	1.96	22.5	2.24
	-2	11.4	1.06	13.6	1.16	15.8	1.28	16.9	1.64	18.4	1.79	20.9	1.99	22.5	2.26
	0	11.4	1.08	13.6	1.17	15.8	1.30	16.9	1.66	18.4	1.81	20.9	2.01	22.5	2.29
	2	11.4	1.09	13.6	1.19	15.8	1.31	16.9	1.69	18.4	1.84	20.9	2.06	22.5	2.32
	4	11.4	1.10	13.6	1.21	15.8	1.34	16.9	1.71	18.4	1.88	20.9	2.09	22.5	2.35
	6	11.4	1.13	13.6	1.23	15.8	1.36	16.9	1.75	18.4	1.91	20.9	2.13	22.5	2.40
	8	11.4	1.14	13.6	1.25	15.8	1.39	16.9	1.78	18.4	1.95	20.9	2.17	22.5	2.44
	10	11.4	1.17	13.6	1.27	15.8	1.42	16.9	1.83	18.4	1.98	20.9	2.21	22.5	2.44
	12	11.4	1.19	13.6	1.30	15.8	1.45	16.9	1.86	18.4	2.03	20.9	2.25	22.5	2.48
	14	11.4	1.21	13.6	1.33	15.8	1.48	16.9	1.90	18.4	2.06	20.9	2.29	22.5	2.52
	16	11.4	1.24	13.6	1.36	15.8	1.51	16.9	1.93	18.4	2.10	20.9	2.33	22.5	2.57
	18	11.4	1.26	13.6	1.39	15.8	1.54	16.9	1.96	18.4	2.14	20.9	2.37	22.5	2.62
	20	11.4	1.29	13.6	1.44	15.8	1.57	16.9	2.00	18.4	2.15	20.9	2.42	22.5	2.67
	21	11.4	1.30	13.6	1.50	15.8	1.60	16.9	2.15	18.4	2.20	20.9	2.45	22.5	2.72
	23	11.4	1.39	13.6	1.61	15.8	1.72	16.9	2.29	18.4	2.33	20.9	2.54	22.5	2.75
	25	11.4	1.49	13.6	1.74	15.8	1.84	16.9	2.42	18.4	2.49	20.9	2.71	22.5	2.92
	27	11.4	1.59	13.6	1.87	15.8	1.97	16.9	2.54	18.4	2.65	20.9	2.89	22.5	3.12
	29	11.4	1.70	13.6	2.01	15.8	2.11	16.9	2.64	18.4	2.82	20.9	3.09	22.5	3.33
	31	11.4	1.82	13.6	2.16	15.8	2.25	16.9	2.79	18.4	3.00	20.9	3.28	22.5	3.56
	33	11.4	1.95	13.6	2.31	15.8	2.41	16.9	2.91	18.4	3.18	20.9	3.49	22.5	3.78
	35	11.4	2.07	13.6	2.48	15.8	2.57	16.9	2.93	18.4	3.38	20.9	3.72	22.5	4.03
	37	11.4	2.21	13.6	2.65	15.8	2.74	16.9	3.07	18.4	3.59	20.9	3.95	22.5	4.29
	39	11.4	2.35	13.6	2.83	15.8	2.92	16.9	3.19	18.4	3.72	20.9	4.20	22.5	4.57
	41	11.4	2.44	13.6	2.94	15.8	3.03	16.9	3.30	18.4	3.85	20.9	4.39	22.5	4.86
43	11.4	2.53	13.6	3.00	15.8	3.14	16.9	3.46	18.4	4.04	20.9	4.58	22.5	5.08	
45	11.4	2.73	13.6	3.38	15.8	3.57	16.9	3.76	18.4	4.37	20.9	4.79	22.5	5.30	
48	11.4	3.14	13.6	3.52	15.8	3.90	16.9	4.28	18.4	4.66	20.9	5.04	22.5	5.43	
50	11.4	3.54	13.6	3.92	15.8	4.31	16.9	4.69	18.4	5.07	20.9	5.45	22.5	5.83	
52	11.4	3.95	13.6	4.33	15.8	4.71	16.9	5.09	18.4	5.47	20.9	5.85	22.5	6.24	
54	11.4	4.35	13.6	4.73	15.8	5.11	16.9	5.50	18.4	5.88	20.9	6.26	22.5	6.64	
25%	-5	5.7	0.57	6.8	0.62	7.9	0.69	8.4	0.94	9.1	0.97	10.4	1.11	11.2	1.19
	-2	5.7	0.58	6.8	0.63	7.9	0.69	8.4	0.96	9.1	0.99	10.4	1.12	11.2	1.21
	0	5.7	0.58	6.8	0.64	7.9	0.71	8.4	0.97	9.1	1.00	10.4	1.14	11.2	1.23
	2	5.7	0.59	6.8	0.65	7.9	0.71	8.4	0.97	9.1	1.02	10.4	1.15	11.2	1.26
	4	5.7	0.60	6.8	0.66	7.9	0.73	8.4	0.97	9.1	1.04	10.4	1.18	11.2	1.29
	6	5.7	0.61	6.8	0.67	7.9	0.74	8.4	0.98	9.1	1.06	10.4	1.19	11.2	1.33
	8	5.7	0.62	6.8	0.68	7.9	0.76	8.4	0.98	9.1	1.08	10.4	1.21	11.2	1.37
	10	5.7	0.63	6.8	0.69	7.9	0.77	8.4	0.98	9.1	1.11	10.4	1.24	11.2	1.39
	12	5.7	0.65	6.8	0.71	7.9	0.79	8.4	0.98	9.1	1.13	10.4	1.27	11.2	1.41
	14	5.7	0.66	6.8	0.72	7.9	0.80	8.4	0.99	9.1	1.15	10.4	1.29	11.2	1.44
	16	5.7	0.67	6.8	0.74	7.9	0.82	8.4	0.99	9.1	1.16	10.4	1.31	11.2	1.46
	18	5.7	0.69	6.8	0.75	7.9	0.83	8.4	0.99	9.1	1.18	10.4	1.33	11.2	1.49
	20	5.7	0.70	6.8	0.78	7.9	0.85	8.4	1.04	9.1	1.21	10.4	1.36	11.2	1.52
	21	5.7	0.71	6.8	0.81	7.9	0.87	8.4	1.09	9.1	1.22	10.4	1.37	11.2	1.53
	23	5.7	0.76	6.8	0.88	7.9	0.93	8.4	1.17	9.1	1.24	10.4	1.39	11.2	1.57
	25	5.7	0.81	6.8	0.95	7.9	1.00	8.4	1.24	9.1	1.28	10.4	1.47	11.2	1.67
	27	5.7	0.87	6.8	1.02	7.9	1.07	8.4	1.34	9.1	1.36	10.4	1.56	11.2	1.78
	29	5.7	0.93	6.8	1.09	7.9	1.15	8.4	1.38	9.1	1.44	10.4	1.66	11.2	1.90
	31	5.7	0.99	6.8	1.17	7.9	1.22	8.4	1.47	9.1	1.53	10.4	1.76	11.2	2.02
	33	5.7	1.06	6.8	1.25	7.9	1.31	8.4	1.55	9.1	1.63	10.4	1.88	11.2	2.15
	35	5.7	1.13	6.8	1.35	7.9	1.40	8.4	1.59	9.1	1.72	10.4	1.99	11.2	2.28
	37	5.7	1.20	6.8	1.44	7.9	1.49	8.4	1.67	9.1	1.83	10.4	2.11	11.2	2.42
	39	5.7	1.28	6.8	1.54	7.9	1.59	8.4	1.73	9.1	1.94	10.4	2.24	11.2	2.57
	41	5.7	1.33	6.8	1.60	7.9	1.65	8.4	1.79	9.1	2.02	10.4	2.36	11.2	2.69
43	5.7	1.37	6.8	1.63	7.9	1.71	8.4	1.91	9.1	2.07	10.4	2.48	11.2	2.81	
45	5.7	1.44	6.8	1.83	7.9	1.95	8.4	2.11	9.1	2.31	10.4	2.72	11.2	2.93	
48	5.7	1.69	6.8	1.93	7.9	2.17	8.4	2.41	9.1	2.64	10.4	2.88	11.2	3.12	
50	5.7	1.94	6.8	2.18	7.9	2.42	8.4	2.66	9.1	2.90	10.4	3.14	11.2	3.37	
52	5.7	2.19	6.8	2.43	7.9	2.67	8.4	2.91	9.1	3.15	10.4	3.39	11.2	3.63	
54	5.7	2.44	6.8	2.68	7.9	2.92	8.4	3.16	9.1	3.40	10.4	3.64	11.2	3.88	

Abbreviations:

TC: Total capacity (kW)

PI: Power input (compressor + outdoor fan motor) (kW)

Table 2-8.31: 14HP cooling part load performance

Part load	Outdoor air temp. (°CDB)	Indoor air temp. (°C DB/WD)													
		20.8/14		23.3/16		25.8/18		27/19		28.2/20		30.7/22		32/24	
		TC kW	PI kW	TC kW	PI kW	TC kW	PI kW	TC kW	PI kW	TC kW	PI kW	TC kW	PI kW	TC kW	PI kW
100%	-5	28.1	3.92	32.9	4.27	39.4	4.71	40.0	5.53	43.4	5.40	49.9	5.98	51.4	6.59
	-2	28.1	3.97	32.9	4.33	39.4	4.80	40.0	5.57	43.4	5.48	49.9	6.06	51.4	6.64
	0	28.1	4.02	32.9	4.38	39.4	4.88	40.0	5.66	43.4	5.53	49.9	6.16	51.4	6.71
	2	28.1	4.08	32.9	4.43	39.4	5.00	40.0	5.71	43.4	5.60	49.9	6.26	51.4	6.82
	4	28.1	4.12	32.9	4.51	39.4	5.06	40.0	5.79	43.4	5.67	49.9	6.33	51.4	6.90
	6	28.1	4.20	32.9	4.58	39.4	5.15	40.0	5.92	43.4	5.76	49.9	6.43	51.4	7.01
	8	28.1	4.27	32.9	4.67	39.4	5.24	40.0	6.02	43.4	5.86	49.9	6.54	51.4	7.13
	10	28.1	4.36	32.9	4.76	39.4	5.33	40.0	6.11	43.4	5.97	49.9	6.65	51.4	7.23
	12	28.1	4.44	32.9	4.86	39.4	5.53	40.0	6.24	43.4	6.09	49.9	6.79	50.7	7.29
	14	28.1	4.53	32.9	4.97	39.4	5.79	40.0	6.63	43.4	6.21	49.9	6.93	50.1	7.38
	16	28.1	4.62	32.9	5.08	39.4	5.93	40.0	6.80	43.4	6.34	48.4	7.02	49.4	7.47
	18	28.1	4.71	32.9	5.19	39.4	6.15	40.0	7.07	43.4	6.47	47.8	7.27	48.8	7.66
	20	28.1	4.81	32.9	5.36	39.4	6.67	40.0	7.55	43.4	6.96	47.1	7.64	48.1	8.04
	21	28.1	4.86	32.9	5.59	39.4	7.14	40.0	8.01	43.4	7.21	46.8	7.83	47.8	8.24
	23	28.1	5.20	32.9	6.03	39.4	7.68	40.0	8.56	43.4	7.76	46.2	8.22	47.1	8.62
	25	28.1	5.57	32.9	6.50	39.4	8.29	40.0	8.99	43.4	8.33	45.5	8.60	46.5	9.00
	27	28.1	5.95	32.9	6.99	39.4	8.78	40.0	9.53	43.4	8.94	44.8	8.99	45.8	9.40
	29	28.1	6.36	32.9	7.50	39.4	9.44	40.0	9.81	43.2	9.51	44.2	9.71	45.2	9.79
	31	28.1	6.81	32.9	8.05	39.4	10.09	40.0	9.99	42.7	9.90	43.5	10.06	44.5	10.18
	33	28.1	7.26	32.9	8.63	39.4	10.57	40.0	10.28	41.9	10.28	42.9	10.43	43.9	10.58
	35	28.1	7.74	32.9	9.25	39.4	10.79	40.0	10.95	41.2	10.97	42.2	11.08	43.2	11.19
	37	28.1	8.25	32.9	9.89	39.4	10.86	39.5	11.45	40.8	11.61	41.7	11.76	42.5	11.91
	39	28.1	8.78	32.9	10.57	39.4	11.06	39.0	11.89	40.3	12.09	40.9	12.34	41.9	12.44
	41	28.1	9.11	32.9	10.98	39.4	11.22	38.5	12.32	39.7	12.57	39.4	12.69	41.3	12.83
43	28.1	9.44	32.9	11.20	39.4	11.60	38.3	12.90	39.1	13.11	39.7	13.33	39.8	13.44	
45	28.1	9.88	32.9	11.51	39.4	12.33	38.1	13.72	38.6	14.48	39.3	15.21	39.2	15.50	
48	28.1	11.39	32.9	12.27	39.4	13.14	37.7	14.78	38.0	15.66	38.4	16.54	38.6	17.41	
50	28.1	12.90	32.9	13.78	39.4	14.65	37.3	15.53	37.5	16.40	37.9	17.28	38.0	18.16	
52	28.1	14.41	32.9	15.29	39.4	16.16	37.0	17.04	36.9	17.92	37.3	18.79	37.4	19.67	
54	28.1	15.92	32.9	16.80	39.4	17.67	36.6	18.55	36.4	19.43	36.7	20.30	36.9	21.18	
75%	-5	20.3	2.30	24.3	2.38	28.1	2.76	30.1	3.19	32.7	3.43	37.2	3.94	40.0	4.51
	-2	20.3	2.33	24.3	2.40	28.1	2.80	30.1	3.20	32.7	3.47	37.2	3.98	40.0	4.56
	0	20.3	2.36	24.3	2.43	28.1	2.84	30.1	3.22	32.7	3.51	37.2	4.03	40.0	4.59
	2	20.3	2.39	24.3	2.47	28.1	2.88	30.1	3.31	32.7	3.57	37.2	4.11	40.0	4.66
	4	20.3	2.41	24.3	2.50	28.1	2.93	30.1	3.36	32.7	3.62	37.2	4.17	40.0	4.73
	6	20.3	2.47	24.3	2.56	28.1	2.99	30.1	3.42	32.7	3.68	37.2	4.24	40.0	4.81
	8	20.3	2.50	24.3	2.61	28.1	3.05	30.1	3.48	32.7	3.74	37.2	4.32	40.0	4.85
	10	20.3	2.55	24.3	2.67	28.1	3.11	30.1	3.54	32.7	3.83	37.2	4.37	40.0	4.93
	12	20.3	2.61	24.3	2.72	28.1	3.17	30.1	3.61	32.7	3.90	37.2	4.46	40.0	5.02
	14	20.3	2.66	24.3	2.77	28.1	3.23	30.1	3.72	32.7	3.97	37.2	4.54	40.0	5.11
	16	20.3	2.71	24.3	2.82	28.1	3.30	30.1	3.74	32.7	4.05	37.2	4.63	40.0	5.21
	18	20.3	2.76	24.3	2.88	28.1	3.36	30.1	3.75	32.7	4.13	37.2	4.72	40.0	5.37
	20	20.3	2.82	24.3	2.95	28.1	3.43	30.1	3.99	32.7	4.28	37.2	5.07	40.0	5.62
	21	20.3	2.85	24.3	2.97	28.1	3.49	30.1	4.28	32.7	4.44	37.2	5.26	40.0	5.75
	23	20.3	3.05	24.3	3.09	28.1	3.76	30.1	4.51	32.7	4.76	37.2	5.64	40.0	6.02
	25	20.3	3.26	24.3	3.32	28.1	4.03	30.1	4.84	32.7	5.08	37.2	6.04	40.0	6.28
	27	20.3	3.49	24.3	3.54	28.1	4.31	30.1	5.19	32.7	5.44	37.2	6.46	40.0	6.54
	29	20.3	3.73	24.3	3.78	28.1	4.62	30.1	5.43	32.7	5.81	37.2	6.76	40.0	6.81
	31	20.3	3.99	24.3	4.03	28.1	4.93	30.1	5.79	32.7	6.20	37.2	7.02	40.0	7.08
	33	20.3	4.26	24.3	4.30	28.1	5.28	30.1	6.14	32.7	6.61	37.2	7.29	40.0	7.34
	35	20.3	4.54	24.3	4.58	28.1	5.63	30.1	6.42	32.7	7.05	37.2	7.56	40.0	7.62
	37	20.3	4.84	24.3	4.87	28.1	6.01	30.1	6.71	32.7	7.51	37.2	7.82	40.0	7.88
	39	20.3	5.15	24.3	5.20	28.1	6.40	30.1	6.97	32.7	8.01	37.2	8.09	40.0	8.15
	41	20.3	5.34	24.3	5.44	28.1	6.64	30.1	7.22	32.7	8.05	37.2	8.30	40.0	8.35
43	20.3	5.54	24.3	5.68	28.1	6.88	30.1	7.57	32.7	8.22	37.2	8.41	40.0	8.47	
45	20.3	5.79	24.3	5.97	28.1	7.17	30.1	8.05	32.7	8.45	37.2	9.14	40.0	9.53	
48	20.3	6.68	24.3	7.32	28.1	7.96	30.1	8.60	32.7	9.25	37.2	9.89	40.0	10.53	
50	20.3	7.56	24.3	8.21	28.1	8.85	30.1	9.49	32.7	10.13	37.2	10.78	40.0	11.42	
52	20.3	8.45	24.3	9.09	28.1	9.73	30.1	10.38	32.7	11.02	37.2	11.66	40.0	12.30	
54	20.3	9.34	24.3	9.98	28.1	10.62	30.1	11.26	32.7	11.91	37.2	12.55	40.0	13.19	

Abbreviations:

TC: Total capacity (kW)

PI: Power input (compressor + outdoor fan motor) (kW)

Table continued on next page ...

Table 2-8.31: 14HP cooling part load performance (continued)

Part load	Outdoor air temp. (°CDB)	Indoor air temp. (°C DB/WD)													
		20.8/14		23.3/16		25.8/18		27/19		28.2/20		30.7/22		32/24	
		TC kW	PI kW	TC kW	PI kW	TC kW	PI kW	TC kW	PI kW	TC kW	PI kW	TC kW	PI kW	TC kW	PI kW
50%	-5	13.6	1.29	16.2	1.40	18.9	1.55	20.2	1.98	21.9	2.16	25.0	2.40	26.8	2.75
	-2	13.6	1.31	16.2	1.42	18.9	1.57	20.2	2.01	21.9	2.19	25.0	2.43	26.8	2.77
	0	13.6	1.32	16.2	1.44	18.9	1.59	20.2	2.03	21.9	2.22	25.0	2.47	26.8	2.80
	2	13.6	1.34	16.2	1.46	18.9	1.61	20.2	2.07	21.9	2.26	25.0	2.52	26.8	2.84
	4	13.6	1.35	16.2	1.48	18.9	1.64	20.2	2.10	21.9	2.30	25.0	2.56	26.8	2.88
	6	13.6	1.38	16.2	1.50	18.9	1.67	20.2	2.14	21.9	2.35	25.0	2.61	26.8	2.95
	8	13.6	1.40	16.2	1.53	18.9	1.71	20.2	2.18	21.9	2.39	25.0	2.66	26.8	3.00
	10	13.6	1.43	16.2	1.56	18.9	1.74	20.2	2.24	21.9	2.43	25.0	2.71	26.8	2.99
	12	13.6	1.46	16.2	1.60	18.9	1.78	20.2	2.28	21.9	2.48	25.0	2.76	26.8	3.04
	14	13.6	1.49	16.2	1.63	18.9	1.81	20.2	2.32	21.9	2.52	25.0	2.81	26.8	3.09
	16	13.6	1.52	16.2	1.67	18.9	1.85	20.2	2.36	21.9	2.57	25.0	2.86	26.8	3.15
	18	13.6	1.55	16.2	1.70	18.9	1.88	20.2	2.40	21.9	2.62	25.0	2.91	26.8	3.21
	20	13.6	1.58	16.2	1.76	18.9	1.92	20.2	2.45	21.9	2.64	25.0	2.97	26.8	3.27
	21	13.6	1.60	16.2	1.83	18.9	1.96	20.2	2.63	21.9	2.69	25.0	3.00	26.8	3.34
	23	13.6	1.71	16.2	1.98	18.9	2.10	20.2	2.81	21.9	2.86	25.0	3.12	26.8	3.37
	25	13.6	1.83	16.2	2.13	18.9	2.26	20.2	2.96	21.9	3.05	25.0	3.33	26.8	3.59
	27	13.6	1.95	16.2	2.29	18.9	2.42	20.2	3.11	21.9	3.25	25.0	3.55	26.8	3.82
	29	13.6	2.09	16.2	2.46	18.9	2.59	20.2	3.24	21.9	3.46	25.0	3.78	26.8	4.08
	31	13.6	2.23	16.2	2.64	18.9	2.76	20.2	3.42	21.9	3.68	25.0	4.02	26.8	4.36
	33	13.6	2.39	16.2	2.83	18.9	2.95	20.2	3.57	21.9	3.90	25.0	4.28	26.8	4.64
	35	13.6	2.54	16.2	3.04	18.9	3.15	20.2	3.60	21.9	4.14	25.0	4.56	26.8	4.95
37	13.6	2.71	16.2	3.25	18.9	3.36	20.2	3.76	21.9	4.40	25.0	4.85	26.8	5.26	
39	13.6	2.88	16.2	3.47	18.9	3.58	20.2	3.91	21.9	4.56	25.0	5.15	26.8	5.60	
41	13.6	2.99	16.2	3.61	18.9	3.72	20.2	4.05	21.9	4.72	25.0	5.39	26.8	5.96	
43	13.6	3.10	16.2	3.68	18.9	3.85	20.2	4.24	21.9	4.96	25.0	5.62	26.8	6.23	
45	13.6	3.35	16.2	4.14	18.9	4.38	20.2	4.61	21.9	5.36	25.0	5.87	26.8	6.50	
48	13.6	3.85	16.2	4.32	18.9	4.78	20.2	5.25	21.9	5.72	25.0	6.19	26.8	6.65	
50	13.6	4.34	16.2	4.81	18.9	5.28	20.2	5.75	21.9	6.21	25.0	6.68	26.8	7.15	
52	13.6	4.84	16.2	5.31	18.9	5.78	20.2	6.24	21.9	6.71	25.0	7.18	26.8	7.65	
54	13.6	5.34	16.2	5.80	18.9	6.27	20.2	6.74	21.9	7.21	25.0	7.67	26.8	8.14	
25%	-5	6.8	0.70	8.1	0.76	9.4	0.84	10.1	1.15	10.9	1.20	12.4	1.36	13.4	1.47
	-2	6.8	0.71	8.1	0.77	9.4	0.85	10.1	1.18	10.9	1.22	12.4	1.38	13.4	1.48
	0	6.8	0.72	8.1	0.78	9.4	0.87	10.1	1.18	10.9	1.23	12.4	1.40	13.4	1.51
	2	6.8	0.73	8.1	0.79	9.4	0.88	10.1	1.19	10.9	1.25	12.4	1.41	13.4	1.54
	4	6.8	0.73	8.1	0.80	9.4	0.89	10.1	1.19	10.9	1.28	12.4	1.44	13.4	1.58
	6	6.8	0.75	8.1	0.82	9.4	0.91	10.1	1.20	10.9	1.30	12.4	1.46	13.4	1.63
	8	6.8	0.76	8.1	0.83	9.4	0.93	10.1	1.21	10.9	1.32	12.4	1.49	13.4	1.68
	10	6.8	0.78	8.1	0.85	9.4	0.95	10.1	1.20	10.9	1.36	12.4	1.53	13.4	1.70
	12	6.8	0.79	8.1	0.87	9.4	0.96	10.1	1.20	10.9	1.38	12.4	1.55	13.4	1.73
	14	6.8	0.81	8.1	0.89	9.4	0.98	10.1	1.21	10.9	1.40	12.4	1.58	13.4	1.76
	16	6.8	0.82	8.1	0.91	9.4	1.00	10.1	1.21	10.9	1.42	12.4	1.61	13.4	1.79
	18	6.8	0.84	8.1	0.93	9.4	1.02	10.1	1.22	10.9	1.45	12.4	1.63	13.4	1.82
	20	6.8	0.86	8.1	0.96	9.4	1.04	10.1	1.27	10.9	1.48	12.4	1.66	13.4	1.86
	21	6.8	0.87	8.1	1.00	9.4	1.06	10.1	1.34	10.9	1.49	12.4	1.68	13.4	1.88
	23	6.8	0.93	8.1	1.08	9.4	1.14	10.1	1.43	10.9	1.52	12.4	1.71	13.4	1.92
	25	6.8	0.99	8.1	1.16	9.4	1.23	10.1	1.52	10.9	1.57	12.4	1.80	13.4	2.05
	27	6.8	1.06	8.1	1.25	9.4	1.31	10.1	1.64	10.9	1.66	12.4	1.91	13.4	2.18
	29	6.8	1.14	8.1	1.34	9.4	1.40	10.1	1.69	10.9	1.77	12.4	2.03	13.4	2.33
	31	6.8	1.21	8.1	1.44	9.4	1.50	10.1	1.80	10.9	1.88	12.4	2.16	13.4	2.48
	33	6.8	1.30	8.1	1.54	9.4	1.61	10.1	1.90	10.9	1.99	12.4	2.30	13.4	2.63
	35	6.8	1.38	8.1	1.65	9.4	1.71	10.1	1.95	10.9	2.11	12.4	2.44	13.4	2.79
37	6.8	1.47	8.1	1.77	9.4	1.83	10.1	2.04	10.9	2.24	12.4	2.59	13.4	2.97	
39	6.8	1.57	8.1	1.89	9.4	1.95	10.1	2.12	10.9	2.37	12.4	2.75	13.4	3.15	
41	6.8	1.63	8.1	1.96	9.4	2.02	10.1	2.20	10.9	2.48	12.4	2.89	13.4	3.30	
43	6.8	1.68	8.1	2.00	9.4	2.09	10.1	2.34	10.9	2.54	12.4	3.04	13.4	3.45	
45	6.8	1.76	8.1	2.25	9.4	2.40	10.1	2.59	10.9	2.84	12.4	3.33	13.4	3.59	
48	6.8	2.07	8.1	2.36	9.4	2.66	10.1	2.95	10.9	3.24	12.4	3.54	13.4	3.83	
50	6.8	2.38	8.1	2.67	9.4	2.97	10.1	3.26	10.9	3.55	12.4	3.84	13.4	4.14	
52	6.8	2.69	8.1	2.98	9.4	3.27	10.1	3.57	10.9	3.86	12.4	4.15	13.4	4.45	
54	6.8	3.00	8.1	3.29	9.4	3.58	10.1	3.88	10.9	4.17	12.4	4.46	13.4	4.75	

Abbreviations:

TC: Total capacity (kW)

PI: Power input (compressor + outdoor fan motor) (kW)

Table 2-8.32: 16HP cooling part load performance

Part load	Outdoor air temp. (°CDB)	Indoor air temp. (°C DB/WD)													
		20.8/14		23.3/16		25.8/18		27/19		28.2/20		30.7/22		32/24	
		TC	PI	TC	PI	TC	PI	TC	PI	TC	PI	TC	PI	TC	PI
		kW	kW	kW	kW	kW	kW	kW	kW	kW	kW	kW	kW	kW	kW
100%	-5	31.6	4.60	37.1	5.02	44.4	5.53	45.0	6.49	48.8	6.34	56.1	7.02	57.8	7.74
	-2	31.6	4.67	37.1	5.08	44.4	5.64	45.0	6.54	48.8	6.43	56.1	7.11	57.8	7.79
	0	31.6	4.72	37.1	5.14	44.4	5.74	45.0	6.64	48.8	6.49	56.1	7.24	57.8	7.88
	2	31.6	4.79	37.1	5.21	44.4	5.87	45.0	6.70	48.8	6.57	56.1	7.36	57.8	8.01
	4	31.6	4.84	37.1	5.30	44.4	5.94	45.0	6.80	48.8	6.66	56.1	7.43	57.8	8.10
	6	31.6	4.94	37.1	5.38	44.4	6.04	45.0	6.95	48.8	6.76	56.1	7.55	57.8	8.23
	8	31.6	5.02	37.1	5.49	44.4	6.16	45.0	7.07	48.8	6.88	56.1	7.68	57.8	8.37
	10	31.6	5.12	37.1	5.59	44.4	6.26	45.0	7.18	48.8	7.02	56.1	7.82	57.8	8.50
	12	31.6	5.22	37.1	5.71	44.4	6.49	45.0	7.33	48.8	7.15	56.1	7.97	57.0	8.56
	14	31.6	5.32	37.1	5.83	44.4	6.80	45.0	7.79	48.8	7.29	56.1	8.14	56.3	8.67
	16	31.6	5.43	37.1	5.97	44.4	6.96	45.0	7.99	48.8	7.45	54.4	8.25	55.5	8.77
	18	31.6	5.53	37.1	6.09	44.4	7.22	45.0	8.30	48.8	7.60	53.8	8.54	54.9	9.00
	20	31.6	5.65	37.1	6.30	44.4	7.83	45.0	8.87	48.8	8.18	53.0	8.98	54.1	9.45
	21	31.6	5.70	37.1	6.56	44.4	8.39	45.0	9.41	48.8	8.47	52.7	9.20	53.8	9.67
	23	31.6	6.10	37.1	7.08	44.4	9.02	45.0	10.06	48.8	9.11	52.0	9.65	53.0	10.12
	25	31.6	6.54	37.1	7.63	44.4	9.73	45.0	10.56	48.8	9.79	51.2	10.10	52.3	10.57
	27	31.6	6.99	37.1	8.21	44.4	10.31	45.0	11.19	48.8	10.50	50.4	10.55	51.5	11.04
	29	31.6	7.47	37.1	8.81	44.4	11.08	45.0	11.52	48.6	11.17	49.8	11.41	50.9	11.49
	31	31.6	7.99	37.1	9.45	44.4	11.85	45.0	11.73	48.0	11.63	49.0	11.82	50.1	11.96
	33	31.6	8.53	37.1	10.13	44.4	12.42	45.0	12.07	47.2	12.08	48.3	12.25	49.4	12.43
	35	31.6	9.08	37.1	10.86	44.4	12.67	45.0	12.86	46.4	12.88	47.5	13.01	48.6	13.14
	37	31.6	9.69	37.1	11.62	44.4	12.76	44.4	13.45	45.9	13.64	46.9	13.81	47.8	13.99
	39	31.6	10.32	37.1	12.42	44.4	12.99	43.9	13.97	45.3	14.20	46.1	14.49	47.2	14.61
	41	31.6	10.70	37.1	12.90	44.4	13.18	43.3	14.47	44.7	14.77	44.4	14.91	46.5	15.06
43	31.6	11.09	37.1	13.15	44.4	13.62	43.1	15.16	44.0	15.40	44.6	15.66	44.8	15.78	
45	31.6	11.60	37.1	13.52	44.4	14.48	42.9	16.12	43.4	17.01	44.3	17.86	44.1	18.21	
48	31.6	13.38	37.1	14.40	44.4	15.43	42.4	17.36	42.8	18.39	43.3	19.42	43.4	20.45	
50	31.6	15.15	37.1	16.18	44.4	17.21	42.0	18.24	42.2	19.27	42.6	20.29	42.8	21.32	
52	31.6	16.93	37.1	17.95	44.4	18.98	41.6	20.01	41.5	21.04	41.9	22.07	42.1	23.10	
54	31.6	18.70	37.1	19.73	44.4	20.76	41.2	21.79	40.9	22.81	41.3	23.84	41.5	24.87	
75%	-5	22.8	2.70	27.3	2.79	31.6	3.24	33.9	3.74	36.8	4.03	41.8	4.63	44.9	5.30
	-2	22.8	2.74	27.3	2.82	31.6	3.29	33.9	3.76	36.8	4.08	41.8	4.68	44.9	5.35
	0	22.8	2.77	27.3	2.86	31.6	3.34	33.9	3.78	36.8	4.13	41.8	4.73	44.9	5.40
	2	22.8	2.81	27.3	2.90	31.6	3.38	33.9	3.88	36.8	4.19	41.8	4.83	44.9	5.47
	4	22.8	2.84	27.3	2.94	31.6	3.44	33.9	3.94	36.8	4.25	41.8	4.90	44.9	5.55
	6	22.8	2.90	27.3	3.00	31.6	3.51	33.9	4.02	36.8	4.32	41.8	4.98	44.9	5.65
	8	22.8	2.94	27.3	3.06	31.6	3.58	33.9	4.09	36.8	4.40	41.8	5.07	44.9	5.70
	10	22.8	3.00	27.3	3.13	31.6	3.65	33.9	4.16	36.8	4.50	41.8	5.14	44.9	5.79
	12	22.8	3.06	27.3	3.19	31.6	3.72	33.9	4.24	36.8	4.58	41.8	5.23	44.9	5.90
	14	22.8	3.12	27.3	3.25	31.6	3.79	33.9	4.37	36.8	4.66	41.8	5.33	44.9	6.01
	16	22.8	3.18	27.3	3.31	31.6	3.88	33.9	4.39	36.8	4.76	41.8	5.44	44.9	6.11
	18	22.8	3.24	27.3	3.38	31.6	3.95	33.9	4.40	36.8	4.85	41.8	5.54	44.9	6.30
	20	22.8	3.32	27.3	3.46	31.6	4.03	33.9	4.69	36.8	5.03	41.8	5.96	44.9	6.60
	21	22.8	3.35	27.3	3.49	31.6	4.10	33.9	5.02	36.8	5.21	41.8	6.17	44.9	6.76
	23	22.8	3.58	27.3	3.63	31.6	4.41	33.9	5.30	36.8	5.59	41.8	6.62	44.9	7.07
	25	22.8	3.83	27.3	3.89	31.6	4.73	33.9	5.69	36.8	5.97	41.8	7.09	44.9	7.37
	27	22.8	4.10	27.3	4.16	31.6	5.07	33.9	6.09	36.8	6.39	41.8	7.59	44.9	7.68
	29	22.8	4.38	27.3	4.44	31.6	5.42	33.9	6.38	36.8	6.83	41.8	7.93	44.9	7.99
	31	22.8	4.69	27.3	4.74	31.6	5.79	33.9	6.80	36.8	7.28	41.8	8.24	44.9	8.31
	33	22.8	5.00	27.3	5.05	31.6	6.20	33.9	7.21	36.8	7.77	41.8	8.56	44.9	8.62
	35	22.8	5.33	27.3	5.38	31.6	6.61	33.9	7.54	36.8	8.28	41.8	8.87	44.9	8.94
	37	22.8	5.68	27.3	5.73	31.6	7.05	33.9	7.88	36.8	8.83	41.8	9.18	44.9	9.25
	39	22.8	6.05	27.3	6.11	31.6	7.52	33.9	8.19	36.8	9.41	41.8	9.50	44.9	9.57
	41	22.8	6.27	27.3	6.39	31.6	7.80	33.9	8.48	36.8	9.45	41.8	9.75	44.9	9.80
43	22.8	6.50	27.3	6.67	31.6	8.08	33.9	8.89	36.8	9.66	41.8	9.87	44.9	9.95	
45	22.8	6.80	27.3	7.01	31.6	8.42	33.9	9.45	36.8	9.92	41.8	10.73	44.9	11.19	
48	22.8	7.84	27.3	8.60	31.6	9.35	33.9	10.11	36.8	10.86	41.8	11.61	44.9	12.37	
50	22.8	8.88	27.3	9.64	31.6	10.39	33.9	11.15	36.8	11.90	41.8	12.65	44.9	13.41	
52	22.8	9.92	27.3	10.68	31.6	11.43	33.9	12.19	36.8	12.94	41.8	13.70	44.9	14.45	
54	22.8	10.97	27.3	11.72	31.6	12.47	33.9	13.23	36.8	13.98	41.8	14.74	44.9	15.49	

Abbreviations:

TC: Total capacity (kW)

PI: Power input (compressor + outdoor fan motor) (kW)

Table continued on next page ...

Table 2-8.32: 16HP cooling part load performance (continued)

Part load	Outdoor air temp. (°CDB)	Indoor air temp. (°C DB/WD)													
		20.8/14		23.3/16		25.8/18		27/19		28.2/20		30.7/22		32/24	
		TC kW	PI kW	TC kW	PI kW	TC kW	PI kW	TC kW	PI kW	TC kW	PI kW	TC kW	PI kW	TC kW	PI kW
50%	-5	15.3	1.51	18.3	1.65	21.2	1.82	22.7	2.32	24.7	2.53	28.1	2.82	30.2	3.23
	-2	15.3	1.53	18.3	1.67	21.2	1.84	22.7	2.36	24.7	2.58	28.1	2.86	30.2	3.25
	0	15.3	1.55	18.3	1.69	21.2	1.87	22.7	2.39	24.7	2.61	28.1	2.90	30.2	3.29
	2	15.3	1.57	18.3	1.71	21.2	1.89	22.7	2.43	24.7	2.65	28.1	2.96	30.2	3.34
	4	15.3	1.59	18.3	1.74	21.2	1.93	22.7	2.46	24.7	2.70	28.1	3.01	30.2	3.38
	6	15.3	1.62	18.3	1.77	21.2	1.96	22.7	2.52	24.7	2.76	28.1	3.07	30.2	3.46
	8	15.3	1.65	18.3	1.80	21.2	2.01	22.7	2.56	24.7	2.81	28.1	3.13	30.2	3.52
	10	15.3	1.68	18.3	1.84	21.2	2.04	22.7	2.64	24.7	2.86	28.1	3.18	30.2	3.51
	12	15.3	1.71	18.3	1.88	21.2	2.09	22.7	2.68	24.7	2.92	28.1	3.24	30.2	3.57
	14	15.3	1.75	18.3	1.92	21.2	2.12	22.7	2.73	24.7	2.96	28.1	3.30	30.2	3.63
	16	15.3	1.78	18.3	1.96	21.2	2.17	22.7	2.78	24.7	3.02	28.1	3.36	30.2	3.70
	18	15.3	1.82	18.3	2.00	21.2	2.21	22.7	2.82	24.7	3.08	28.1	3.42	30.2	3.77
	20	15.3	1.86	18.3	2.07	21.2	2.26	22.7	2.88	24.7	3.10	28.1	3.49	30.2	3.84
	21	15.3	1.87	18.3	2.15	21.2	2.30	22.7	3.09	24.7	3.16	28.1	3.52	30.2	3.92
	23	15.3	2.00	18.3	2.32	21.2	2.47	22.7	3.30	24.7	3.36	28.1	3.66	30.2	3.96
	25	15.3	2.15	18.3	2.51	21.2	2.65	22.7	3.48	24.7	3.58	28.1	3.91	30.2	4.21
	27	15.3	2.29	18.3	2.69	21.2	2.84	22.7	3.65	24.7	3.81	28.1	4.16	30.2	4.49
	29	15.3	2.45	18.3	2.89	21.2	3.04	22.7	3.81	24.7	4.06	28.1	4.44	30.2	4.79
	31	15.3	2.62	18.3	3.10	21.2	3.24	22.7	4.02	24.7	4.32	28.1	4.72	30.2	5.12
	33	15.3	2.80	18.3	3.33	21.2	3.47	22.7	4.19	24.7	4.58	28.1	5.03	30.2	5.45
	35	15.3	2.98	18.3	3.57	21.2	3.70	22.7	4.22	24.7	4.86	28.1	5.36	30.2	5.81
	37	15.3	3.18	18.3	3.82	21.2	3.95	22.7	4.42	24.7	5.17	28.1	5.69	30.2	6.18
	39	15.3	3.39	18.3	4.08	21.2	4.21	22.7	4.59	24.7	5.36	28.1	6.04	30.2	6.58
	41	15.3	3.51	18.3	4.24	21.2	4.37	22.7	4.75	24.7	5.55	28.1	6.33	30.2	7.00
43	15.3	3.64	18.3	4.32	21.2	4.53	22.7	4.98	24.7	5.82	28.1	6.60	30.2	7.32	
45	15.3	3.94	18.3	4.86	21.2	5.14	22.7	5.42	24.7	6.29	28.1	6.89	30.2	7.63	
48	15.3	4.52	18.3	5.07	21.2	5.62	22.7	6.17	24.7	6.72	28.1	7.26	30.2	7.81	
50	15.3	5.10	18.3	5.65	21.2	6.20	22.7	6.75	24.7	7.30	28.1	7.85	30.2	8.40	
52	15.3	5.68	18.3	6.23	21.2	6.78	22.7	7.33	24.7	7.88	28.1	8.43	30.2	8.98	
54	15.3	6.27	18.3	6.82	21.2	7.37	22.7	7.91	24.7	8.46	28.1	9.01	30.2	9.56	
25%	-5	7.6	0.82	9.1	0.89	10.6	0.99	11.3	1.35	12.3	1.40	14.0	1.60	15.0	1.72
	-2	7.6	0.83	9.1	0.91	10.6	1.00	11.3	1.39	12.3	1.43	14.0	1.62	15.0	1.74
	0	7.6	0.84	9.1	0.92	10.6	1.02	11.3	1.39	12.3	1.45	14.0	1.64	15.0	1.77
	2	7.6	0.85	9.1	0.93	10.6	1.03	11.3	1.40	12.3	1.47	14.0	1.65	15.0	1.81
	4	7.6	0.86	9.1	0.95	10.6	1.05	11.3	1.40	12.3	1.50	14.0	1.69	15.0	1.85
	6	7.6	0.88	9.1	0.96	10.6	1.07	11.3	1.41	12.3	1.53	14.0	1.72	15.0	1.91
	8	7.6	0.89	9.1	0.98	10.6	1.09	11.3	1.42	12.3	1.55	14.0	1.75	15.0	1.97
	10	7.6	0.91	9.1	1.00	10.6	1.11	11.3	1.40	12.3	1.59	14.0	1.79	15.0	2.00
	12	7.6	0.93	9.1	1.02	10.6	1.13	11.3	1.41	12.3	1.62	14.0	1.82	15.0	2.03
	14	7.6	0.95	9.1	1.04	10.6	1.15	11.3	1.42	12.3	1.65	14.0	1.86	15.0	2.07
	16	7.6	0.97	9.1	1.07	10.6	1.18	11.3	1.42	12.3	1.67	14.0	1.89	15.0	2.10
	18	7.6	0.99	9.1	1.09	10.6	1.20	11.3	1.43	12.3	1.70	14.0	1.92	15.0	2.14
	20	7.6	1.01	9.1	1.12	10.6	1.23	11.3	1.50	12.3	1.74	14.0	1.95	15.0	2.18
	21	7.6	1.02	9.1	1.17	10.6	1.25	11.3	1.57	12.3	1.75	14.0	1.98	15.0	2.21
	23	7.6	1.09	9.1	1.26	10.6	1.34	11.3	1.68	12.3	1.78	14.0	2.01	15.0	2.25
	25	7.6	1.17	9.1	1.36	10.6	1.44	11.3	1.79	12.3	1.84	14.0	2.11	15.0	2.41
	27	7.6	1.25	9.1	1.46	10.6	1.54	11.3	1.93	12.3	1.95	14.0	2.25	15.0	2.57
	29	7.6	1.33	9.1	1.57	10.6	1.65	11.3	1.98	12.3	2.08	14.0	2.39	15.0	2.73
	31	7.6	1.43	9.1	1.69	10.6	1.76	11.3	2.11	12.3	2.21	14.0	2.54	15.0	2.91
	33	7.6	1.52	9.1	1.81	10.6	1.89	11.3	2.23	12.3	2.34	14.0	2.70	15.0	3.09
	35	7.6	1.62	9.1	1.94	10.6	2.01	11.3	2.29	12.3	2.48	14.0	2.87	15.0	3.28
	37	7.6	1.73	9.1	2.07	10.6	2.15	11.3	2.40	12.3	2.63	14.0	3.04	15.0	3.49
	39	7.6	1.84	9.1	2.22	10.6	2.29	11.3	2.49	12.3	2.79	14.0	3.23	15.0	3.70
	41	7.6	1.91	9.1	2.30	10.6	2.37	11.3	2.58	12.3	2.91	14.0	3.40	15.0	3.88
43	7.6	1.98	9.1	2.35	10.6	2.46	11.3	2.75	12.3	2.98	14.0	3.57	15.0	4.05	
45	7.6	2.07	9.1	2.64	10.6	2.81	11.3	3.04	12.3	3.33	14.0	3.91	15.0	4.22	
48	7.6	2.43	9.1	2.78	10.6	3.12	11.3	3.46	12.3	3.81	14.0	4.15	15.0	4.50	
50	7.6	2.79	9.1	3.14	10.6	3.48	11.3	3.83	12.3	4.17	14.0	4.52	15.0	4.86	
52	7.6	3.16	9.1	3.50	10.6	3.85	11.3	4.19	12.3	4.53	14.0	4.88	15.0	5.22	
54	7.6	3.52	9.1	3.86	10.6	4.21	11.3	4.55	12.3	4.90	14.0	5.24	15.0	5.58	

Abbreviations:

TC: Total capacity (kW)

PI: Power input (compressor + outdoor fan motor) (kW)



Table 2-8.33: 18HP cooling part load performance

Part load	Outdoor air temp. (°CDB)	Indoor air temp. (°C DB/WD)													
		20.8/14		23.3/16		25.8/18		27/19		28.2/20		30.7/22		32/24	
		TC kW	PI kW	TC kW	PI kW	TC kW	PI kW	TC kW	PI kW	TC kW	PI kW	TC kW	PI kW	TC kW	PI kW
100%	-5	35.1	5.26	41.2	5.73	49.3	6.32	50.0	7.42	54.2	7.25	62.3	8.03	64.2	8.85
	-2	35.1	5.34	41.2	5.81	49.3	6.45	50.0	7.48	54.2	7.35	62.3	8.13	64.2	8.91
	0	35.1	5.39	41.2	5.88	49.3	6.56	50.0	7.59	54.2	7.42	62.3	8.28	64.2	9.01
	2	35.1	5.47	41.2	5.95	49.3	6.71	50.0	7.66	54.2	7.51	62.3	8.41	64.2	9.16
	4	35.1	5.53	41.2	6.06	49.3	6.79	50.0	7.77	54.2	7.61	62.3	8.50	64.2	9.26
	6	35.1	5.64	41.2	6.14	49.3	6.91	50.0	7.94	54.2	7.73	62.3	8.63	64.2	9.41
	8	35.1	5.73	41.2	6.27	49.3	7.04	50.0	8.08	54.2	7.86	62.3	8.78	64.2	9.57
	10	35.1	5.85	41.2	6.39	49.3	7.15	50.0	8.21	54.2	8.02	62.3	8.93	64.2	9.71
	12	35.1	5.97	41.2	6.53	49.3	7.42	50.0	8.37	54.2	8.18	62.3	9.11	63.3	9.79
	14	35.1	6.09	41.2	6.67	49.3	7.77	50.0	8.91	54.2	8.33	62.3	9.31	62.6	9.91
	16	35.1	6.20	41.2	6.83	49.3	7.96	50.0	9.13	54.2	8.51	60.5	9.43	61.7	10.03
	18	35.1	6.32	41.2	6.96	49.3	8.26	50.0	9.49	54.2	8.69	59.8	9.77	61.0	10.29
	20	35.1	6.46	41.2	7.20	49.3	8.95	50.0	10.14	54.2	9.35	58.9	10.26	60.1	10.80
	21	35.1	6.52	41.2	7.50	49.3	9.59	50.0	10.75	54.2	9.68	58.5	10.52	59.8	11.06
	23	35.1	6.98	41.2	8.09	49.3	10.31	50.0	11.49	54.2	10.41	57.8	11.03	58.9	11.57
	25	35.1	7.47	41.2	8.73	49.3	11.13	50.0	12.07	54.2	11.19	56.9	11.55	58.1	12.09
	27	35.1	7.99	41.2	9.38	49.3	11.78	50.0	12.79	54.2	12.00	56.0	12.06	57.3	12.62
	29	35.1	8.54	41.2	10.07	49.3	12.67	50.0	13.17	54.0	12.77	55.3	13.04	56.5	13.14
	31	35.1	9.14	41.2	10.81	49.3	13.55	50.0	13.41	53.3	13.29	54.4	13.51	55.6	13.67
	33	35.1	9.75	41.2	11.58	49.3	14.19	50.0	13.79	52.4	13.80	53.7	14.00	54.9	14.21
	35	35.1	10.38	41.2	12.41	49.3	14.48	50.0	14.70	51.5	14.72	52.8	14.87	54.0	15.02
	37	35.1	11.08	41.2	13.28	49.3	14.59	49.4	15.37	51.0	15.59	52.1	15.78	53.1	15.99
	39	35.1	11.79	41.2	14.19	49.3	14.85	48.7	15.97	50.3	16.24	51.2	16.56	52.4	16.69
	41	35.1	12.23	41.2	14.75	49.3	15.07	48.1	16.54	49.6	16.88	49.3	17.04	51.7	17.22
43	35.1	12.67	41.2	15.04	49.3	15.57	47.9	17.32	48.9	17.60	49.6	17.90	49.8	18.04	
45	35.1	13.26	41.2	15.45	49.3	16.55	47.6	18.42	48.2	19.44	49.2	20.42	49.0	20.81	
48	35.1	15.29	41.2	16.47	49.3	17.64	47.1	19.85	47.5	21.02	48.1	22.20	48.3	23.37	
50	35.1	17.32	41.2	18.49	49.3	19.67	46.6	20.85	46.8	22.02	47.3	23.20	47.5	24.37	
52	35.1	19.35	41.2	20.52	49.3	21.70	46.2	22.87	46.1	24.05	46.6	25.23	46.8	26.40	
54	35.1	21.38	41.2	22.55	49.3	23.73	45.8	24.90	45.4	26.08	45.9	27.26	46.1	28.43	
75%	-5	25.4	3.09	30.3	3.19	35.2	3.71	37.7	4.28	40.9	4.60	46.5	5.29	49.9	6.06
	-2	25.4	3.13	30.3	3.22	35.2	3.76	37.7	4.30	40.9	4.66	46.5	5.34	49.9	6.12
	0	25.4	3.16	30.3	3.27	35.2	3.82	37.7	4.32	40.9	4.72	46.5	5.40	49.9	6.17
	2	25.4	3.21	30.3	3.31	35.2	3.86	37.7	4.44	40.9	4.79	46.5	5.52	49.9	6.26
	4	25.4	3.24	30.3	3.36	35.2	3.93	37.7	4.51	40.9	4.85	46.5	5.60	49.9	6.35
	6	25.4	3.31	30.3	3.43	35.2	4.01	37.7	4.60	40.9	4.94	46.5	5.69	49.9	6.46
	8	25.4	3.36	30.3	3.50	35.2	4.10	37.7	4.67	40.9	5.02	46.5	5.80	49.9	6.52
	10	25.4	3.43	30.3	3.58	35.2	4.17	37.7	4.76	40.9	5.14	46.5	5.87	49.9	6.62
	12	25.4	3.50	30.3	3.65	35.2	4.26	37.7	4.84	40.9	5.23	46.5	5.98	49.9	6.74
	14	25.4	3.57	30.3	3.72	35.2	4.34	37.7	5.00	40.9	5.33	46.5	6.09	49.9	6.87
	16	25.4	3.64	30.3	3.78	35.2	4.43	37.7	5.02	40.9	5.44	46.5	6.21	49.9	6.99
	18	25.4	3.71	30.3	3.87	35.2	4.51	37.7	5.03	40.9	5.55	46.5	6.34	49.9	7.21
	20	25.4	3.79	30.3	3.96	35.2	4.61	37.7	5.36	40.9	5.75	46.5	6.81	49.9	7.55
	21	25.4	3.82	30.3	3.99	35.2	4.69	37.7	5.74	40.9	5.96	46.5	7.06	49.9	7.72
	23	25.4	4.09	30.3	4.15	35.2	5.04	37.7	6.05	40.9	6.39	46.5	7.57	49.9	8.08
	25	25.4	4.38	30.3	4.45	35.2	5.41	37.7	6.50	40.9	6.83	46.5	8.10	49.9	8.43
	27	25.4	4.68	30.3	4.75	35.2	5.79	37.7	6.96	40.9	7.30	46.5	8.67	49.9	8.78
	29	25.4	5.01	30.3	5.08	35.2	6.20	37.7	7.29	40.9	7.80	46.5	9.07	49.9	9.14
	31	25.4	5.36	30.3	5.42	35.2	6.62	37.7	7.77	40.9	8.32	46.5	9.42	49.9	9.50
	33	25.4	5.72	30.3	5.77	35.2	7.08	37.7	8.24	40.9	8.88	46.5	9.79	49.9	9.86
	35	25.4	6.09	30.3	6.15	35.2	7.56	37.7	8.62	40.9	9.46	46.5	10.14	49.9	10.22
	37	25.4	6.50	30.3	6.54	35.2	8.06	37.7	9.01	40.9	10.09	46.5	10.50	49.9	10.58
	39	25.4	6.91	30.3	6.98	35.2	8.59	37.7	9.36	40.9	10.76	46.5	10.86	49.9	10.94
	41	25.4	7.17	30.3	7.30	35.2	8.92	37.7	9.70	40.9	10.81	46.5	11.14	49.9	11.20
43	25.4	7.43	30.3	7.63	35.2	9.24	37.7	10.16	40.9	11.04	46.5	11.28	49.9	11.38	
45	25.4	7.78	30.3	8.01	35.2	9.63	37.7	10.80	40.9	11.34	46.5	12.26	49.9	12.79	
48	25.4	8.97	30.3	9.83	35.2	10.69	37.7	11.55	40.9	12.41	46.5	13.28	49.9	14.14	
50	25.4	10.16	30.3	11.02	35.2	11.88	37.7	12.74	40.9	13.60	46.5	14.47	49.9	15.33	
52	25.4	11.34	30.3	12.21	35.2	13.07	37.7	13.93	40.9	14.79	46.5	15.65	49.9	16.52	
54	25.4	12.53	30.3	13.40	35.2	14.26	37.7	15.12	40.9	15.98	46.5	16.84	49.9	17.71	

Abbreviations:

TC: Total capacity (kW)

PI: Power input (compressor + outdoor fan motor) (kW)

Table continued on next page ...



Table 2-8.33: 18HP cooling part load performance (continued)

Part load	Outdoor air temp. (°CDB)	Indoor air temp. (°C DB/WD)													
		20.8/14		23.3/16		25.8/18		27/19		28.2/20		30.7/22		32/24	
		TC kW	PI kW	TC kW	PI kW	TC kW	PI kW	TC kW	PI kW	TC kW	PI kW	TC kW	PI kW	TC kW	PI kW
50%	-5	17.0	1.73	20.3	1.88	23.6	2.08	25.3	2.66	27.4	2.90	31.2	3.22	33.5	3.69
	-2	17.0	1.75	20.3	1.91	23.6	2.10	25.3	2.69	27.4	2.94	31.2	3.27	33.5	3.72
	0	17.0	1.77	20.3	1.93	23.6	2.14	25.3	2.73	27.4	2.98	31.2	3.32	33.5	3.77
	2	17.0	1.80	20.3	1.96	23.6	2.16	25.3	2.78	27.4	3.03	31.2	3.38	33.5	3.81
	4	17.0	1.82	20.3	1.99	23.6	2.20	25.3	2.81	27.4	3.09	31.2	3.44	33.5	3.87
	6	17.0	1.85	20.3	2.02	23.6	2.24	25.3	2.88	27.4	3.15	31.2	3.51	33.5	3.96
	8	17.0	1.88	20.3	2.06	23.6	2.29	25.3	2.93	27.4	3.21	31.2	3.57	33.5	4.02
	10	17.0	1.92	20.3	2.10	23.6	2.34	25.3	3.01	27.4	3.27	31.2	3.64	33.5	4.01
	12	17.0	1.96	20.3	2.14	23.6	2.38	25.3	3.07	27.4	3.33	31.2	3.71	33.5	4.08
	14	17.0	2.00	20.3	2.19	23.6	2.43	25.3	3.12	27.4	3.39	31.2	3.77	33.5	4.15
	16	17.0	2.04	20.3	2.24	23.6	2.48	25.3	3.17	27.4	3.45	31.2	3.84	33.5	4.23
	18	17.0	2.08	20.3	2.29	23.6	2.53	25.3	3.23	27.4	3.52	31.2	3.91	33.5	4.31
	20	17.0	2.12	20.3	2.36	23.6	2.58	25.3	3.29	27.4	3.55	31.2	3.99	33.5	4.39
	21	17.0	2.14	20.3	2.46	23.6	2.63	25.3	3.53	27.4	3.61	31.2	4.03	33.5	4.48
	23	17.0	2.29	20.3	2.66	23.6	2.82	25.3	3.77	27.4	3.84	31.2	4.19	33.5	4.52
	25	17.0	2.45	20.3	2.87	23.6	3.03	25.3	3.98	27.4	4.09	31.2	4.47	33.5	4.81
	27	17.0	2.62	20.3	3.08	23.6	3.24	25.3	4.17	27.4	4.36	31.2	4.76	33.5	5.13
	29	17.0	2.81	20.3	3.31	23.6	3.47	25.3	4.35	27.4	4.64	31.2	5.08	33.5	5.48
	31	17.0	3.00	20.3	3.55	23.6	3.71	25.3	4.59	27.4	4.93	31.2	5.40	33.5	5.85
	33	17.0	3.20	20.3	3.80	23.6	3.97	25.3	4.79	27.4	5.24	31.2	5.75	33.5	6.23
	35	17.0	3.41	20.3	4.08	23.6	4.23	25.3	4.83	27.4	5.56	31.2	6.12	33.5	6.64
	37	17.0	3.64	20.3	4.36	23.6	4.52	25.3	5.05	27.4	5.91	31.2	6.51	33.5	7.07
	39	17.0	3.87	20.3	4.66	23.6	4.81	25.3	5.24	27.4	6.13	31.2	6.91	33.5	7.52
	41	17.0	4.02	20.3	4.84	23.6	4.99	25.3	5.43	27.4	6.34	31.2	7.23	33.5	8.00
43	17.0	4.16	20.3	4.94	23.6	5.17	25.3	5.69	27.4	6.65	31.2	7.54	33.5	8.36	
45	17.0	4.50	20.3	5.56	23.6	5.87	25.3	6.20	27.4	7.19	31.2	7.88	33.5	8.73	
48	17.0	5.17	20.3	5.79	23.6	6.42	25.3	7.05	27.4	7.68	31.2	8.30	33.5	8.93	
50	17.0	5.83	20.3	6.46	23.6	7.09	25.3	7.71	27.4	8.34	31.2	8.97	33.5	9.60	
52	17.0	6.50	20.3	7.13	23.6	7.75	25.3	8.38	27.4	9.01	31.2	9.64	33.5	10.26	
54	17.0	7.16	20.3	7.79	23.6	8.42	25.3	9.05	27.4	9.67	31.2	10.30	33.5	10.93	
25%	-5	8.5	0.94	10.1	1.02	11.8	1.13	12.6	1.55	13.6	1.60	15.5	1.83	16.7	1.97
	-2	8.5	0.95	10.1	1.04	11.8	1.14	12.6	1.59	13.6	1.63	15.5	1.85	16.7	1.99
	0	8.5	0.96	10.1	1.05	11.8	1.16	12.6	1.59	13.6	1.65	15.5	1.88	16.7	2.03
	2	8.5	0.98	10.1	1.06	11.8	1.17	12.6	1.60	13.6	1.68	15.5	1.89	16.7	2.07
	4	8.5	0.99	10.1	1.08	11.8	1.20	12.6	1.60	13.6	1.72	15.5	1.94	16.7	2.12
	6	8.5	1.01	10.1	1.10	11.8	1.22	12.6	1.61	13.6	1.75	15.5	1.97	16.7	2.18
	8	8.5	1.02	10.1	1.12	11.8	1.25	12.6	1.62	13.6	1.77	15.5	2.00	16.7	2.25
	10	8.5	1.04	10.1	1.14	11.8	1.27	12.6	1.61	13.6	1.82	15.5	2.05	16.7	2.29
	12	8.5	1.06	10.1	1.16	11.8	1.29	12.6	1.61	13.6	1.86	15.5	2.09	16.7	2.32
	14	8.5	1.09	10.1	1.19	11.8	1.32	12.6	1.62	13.6	1.89	15.5	2.12	16.7	2.37
	16	8.5	1.11	10.1	1.22	11.8	1.35	12.6	1.63	13.6	1.91	15.5	2.16	16.7	2.40
	18	8.5	1.13	10.1	1.24	11.8	1.37	12.6	1.63	13.6	1.95	15.5	2.19	16.7	2.45
	20	8.5	1.15	10.1	1.28	11.8	1.40	12.6	1.71	13.6	1.98	15.5	2.23	16.7	2.50
	21	8.5	1.16	10.1	1.34	11.8	1.43	12.6	1.80	13.6	2.00	15.5	2.26	16.7	2.52
	23	8.5	1.24	10.1	1.44	11.8	1.53	12.6	1.92	13.6	2.04	15.5	2.29	16.7	2.58
	25	8.5	1.33	10.1	1.56	11.8	1.65	12.6	2.04	13.6	2.10	15.5	2.41	16.7	2.75
	27	8.5	1.42	10.1	1.67	11.8	1.76	12.6	2.20	13.6	2.23	15.5	2.57	16.7	2.93
	29	8.5	1.52	10.1	1.80	11.8	1.89	12.6	2.27	13.6	2.38	15.5	2.73	16.7	3.12
	31	8.5	1.63	10.1	1.93	11.8	2.01	12.6	2.42	13.6	2.52	15.5	2.90	16.7	3.32
	33	8.5	1.74	10.1	2.07	11.8	2.15	12.6	2.55	13.6	2.68	15.5	3.09	16.7	3.53
	35	8.5	1.85	10.1	2.21	11.8	2.30	12.6	2.62	13.6	2.83	15.5	3.28	16.7	3.75
	37	8.5	1.98	10.1	2.37	11.8	2.45	12.6	2.74	13.6	3.00	15.5	3.48	16.7	3.99
	39	8.5	2.10	10.1	2.53	11.8	2.61	12.6	2.85	13.6	3.19	15.5	3.69	16.7	4.23
	41	8.5	2.18	10.1	2.63	11.8	2.71	12.6	2.95	13.6	3.32	15.5	3.88	16.7	4.43
43	8.5	2.26	10.1	2.68	11.8	2.81	12.6	3.14	13.6	3.41	15.5	4.08	16.7	4.63	
45	8.5	2.37	10.1	3.02	11.8	3.22	12.6	3.47	13.6	3.81	15.5	4.47	16.7	4.82	
48	8.5	2.78	10.1	3.17	11.8	3.57	12.6	3.96	13.6	4.35	15.5	4.75	16.7	5.14	
50	8.5	3.19	10.1	3.59	11.8	3.98	12.6	4.37	13.6	4.77	15.5	5.16	16.7	5.55	
52	8.5	3.61	10.1	4.00	11.8	4.40	12.6	4.79	13.6	5.18	15.5	5.58	16.7	5.97	
54	8.5	4.02	10.1	4.42	11.8	4.81	12.6	5.20	13.6	5.60	15.5	5.99	16.7	6.38	

Abbreviations:

TC: Total capacity (kW)

PI: Power input (compressor + outdoor fan motor) (kW)

Table 2-8.34: 20HP cooling part load performance

Part load	Outdoor air temp. (°CDB)	Indoor air temp. (°C DB/WD)													
		20.8/14		23.3/16		25.8/18		27/19		28.2/20		30.7/22		32/24	
		TC kW	PI kW	TC kW	PI kW	TC kW	PI kW	TC kW	PI kW	TC kW	PI kW	TC kW	PI kW	TC kW	PI kW
100%	-5	39.3	5.73	46.1	6.24	55.2	6.88	56.0	8.08	60.7	7.89	69.8	8.74	71.9	9.63
	-2	39.3	5.81	46.1	6.32	55.2	7.02	56.0	8.14	60.7	8.00	69.8	8.85	71.9	9.70
	0	39.3	5.87	46.1	6.40	55.2	7.14	56.0	8.26	60.7	8.08	69.8	9.01	71.9	9.81
	2	39.3	5.96	46.1	6.48	55.2	7.30	56.0	8.34	60.7	8.18	69.8	9.15	71.9	9.97
	4	39.3	6.02	46.1	6.59	55.2	7.39	56.0	8.46	60.7	8.29	69.8	9.25	71.9	10.08
	6	39.3	6.14	46.1	6.69	55.2	7.52	56.0	8.64	60.7	8.42	69.8	9.39	71.9	10.24
	8	39.3	6.24	46.1	6.83	55.2	7.66	56.0	8.80	60.7	8.56	69.8	9.55	71.9	10.42
	10	39.3	6.36	46.1	6.95	55.2	7.78	56.0	8.93	60.7	8.73	69.8	9.72	71.9	10.57
	12	39.3	6.49	46.1	7.10	55.2	8.08	56.0	9.11	60.7	8.90	69.8	9.92	70.9	10.65
	14	39.3	6.62	46.1	7.26	55.2	8.45	56.0	9.69	60.7	9.07	69.8	10.13	70.1	10.79
	16	39.3	6.75	46.1	7.43	55.2	8.66	56.0	9.94	60.7	9.27	67.7	10.26	69.1	10.92
	18	39.3	6.88	46.1	7.58	55.2	8.99	56.0	10.33	60.7	9.46	66.9	10.63	68.3	11.20
	20	39.3	7.03	46.1	7.84	55.2	9.74	56.0	11.03	60.7	10.17	65.9	11.17	67.3	11.76
	21	39.3	7.10	46.1	8.16	55.2	10.43	56.0	11.70	60.7	10.54	65.5	11.45	66.9	12.04
	23	39.3	7.59	46.1	8.81	55.2	11.22	56.0	12.51	60.7	11.34	64.7	12.01	65.9	12.60
	25	39.3	8.13	46.1	9.50	55.2	12.11	56.0	13.14	60.7	12.18	63.7	12.57	65.1	13.16
	27	39.3	8.69	46.1	10.21	55.2	12.82	56.0	13.93	60.7	13.06	62.7	13.13	64.1	13.74
	29	39.3	9.30	46.1	10.96	55.2	13.79	56.0	14.34	60.5	13.90	61.9	14.19	63.3	14.30
	31	39.3	9.94	46.1	11.76	55.2	14.74	56.0	14.60	59.7	14.46	60.9	14.70	62.3	14.88
	33	39.3	10.61	46.1	12.60	55.2	15.45	56.0	15.01	58.7	15.02	60.1	15.24	61.5	15.46
	35	39.3	11.30	46.1	13.51	55.2	15.76	56.0	16.00	57.7	16.03	59.1	16.19	60.5	16.35
	37	39.3	12.06	46.1	14.46	55.2	15.88	55.3	16.73	57.1	16.97	58.3	17.18	59.5	17.41
	39	39.3	12.83	46.1	15.45	55.2	16.16	54.6	17.38	56.4	17.67	57.3	18.02	58.7	18.17
	41	39.3	13.31	46.1	16.05	55.2	16.40	53.9	18.00	55.6	18.37	55.2	18.54	57.9	18.74
43	39.3	13.79	46.1	16.36	55.2	16.95	53.7	18.86	54.8	19.16	55.6	19.48	55.8	19.63	
45	39.3	14.43	46.1	16.82	55.2	18.01	53.3	20.05	54.0	21.16	55.1	22.22	54.9	22.65	
48	39.3	16.64	46.1	17.92	55.2	19.20	52.7	21.60	53.2	22.88	53.8	24.16	54.0	25.44	
50	39.3	18.85	46.1	20.13	55.2	21.41	52.2	22.69	52.5	23.97	53.0	25.25	53.2	26.53	
52	39.3	21.06	46.1	22.34	55.2	23.62	51.8	24.90	51.7	26.18	52.2	27.46	52.4	28.74	
54	39.3	23.27	46.1	24.55	55.2	25.83	51.3	27.11	50.9	28.39	51.4	29.67	51.6	30.95	
75%	-5	28.4	3.36	34.0	3.47	39.4	4.03	42.2	4.66	45.8	5.01	52.0	5.76	55.9	6.60
	-2	28.4	3.41	34.0	3.51	39.4	4.09	42.2	4.68	45.8	5.07	52.0	5.82	55.9	6.66
	0	28.4	3.44	34.0	3.56	39.4	4.16	42.2	4.70	45.8	5.14	52.0	5.88	55.9	6.71
	2	28.4	3.49	34.0	3.60	39.4	4.20	42.2	4.83	45.8	5.22	52.0	6.00	55.9	6.81
	4	28.4	3.53	34.0	3.66	39.4	4.28	42.2	4.91	45.8	5.28	52.0	6.10	55.9	6.91
	6	28.4	3.60	34.0	3.73	39.4	4.36	42.2	5.00	45.8	5.38	52.0	6.19	55.9	7.03
	8	28.4	3.66	34.0	3.81	39.4	4.46	42.2	5.09	45.8	5.47	52.0	6.31	55.9	7.09
	10	28.4	3.73	34.0	3.90	39.4	4.54	42.2	5.18	45.8	5.59	52.0	6.39	55.9	7.21
	12	28.4	3.81	34.0	3.97	39.4	4.63	42.2	5.27	45.8	5.70	52.0	6.51	55.9	7.34
	14	28.4	3.88	34.0	4.04	39.4	4.72	42.2	5.44	45.8	5.80	52.0	6.63	55.9	7.47
	16	28.4	3.96	34.0	4.12	39.4	4.82	42.2	5.46	45.8	5.92	52.0	6.76	55.9	7.61
	18	28.4	4.04	34.0	4.21	39.4	4.91	42.2	5.48	45.8	6.04	52.0	6.90	55.9	7.84
	20	28.4	4.12	34.0	4.31	39.4	5.02	42.2	5.83	45.8	6.26	52.0	7.41	55.9	8.21
	21	28.4	4.16	34.0	4.34	39.4	5.10	42.2	6.25	45.8	6.48	52.0	7.68	55.9	8.41
	23	28.4	4.45	34.0	4.52	39.4	5.49	42.2	6.59	45.8	6.96	52.0	8.24	55.9	8.79
	25	28.4	4.77	34.0	4.84	39.4	5.89	42.2	7.07	45.8	7.43	52.0	8.82	55.9	9.18
	27	28.4	5.10	34.0	5.17	39.4	6.30	42.2	7.58	45.8	7.95	52.0	9.44	55.9	9.56
	29	28.4	5.45	34.0	5.52	39.4	6.75	42.2	7.93	45.8	8.49	52.0	9.87	55.9	9.94
	31	28.4	5.83	34.0	5.89	39.4	7.21	42.2	8.46	45.8	9.06	52.0	10.26	55.9	10.34
	33	28.4	6.22	34.0	6.28	39.4	7.71	42.2	8.97	45.8	9.66	52.0	10.65	55.9	10.73
	35	28.4	6.63	34.0	6.69	39.4	8.23	42.2	9.38	45.8	10.30	52.0	11.04	55.9	11.13
	37	28.4	7.07	34.0	7.12	39.4	8.78	42.2	9.81	45.8	10.98	52.0	11.42	55.9	11.51
	39	28.4	7.53	34.0	7.60	39.4	9.35	42.2	10.19	45.8	11.71	52.0	11.82	55.9	11.91
	41	28.4	7.81	34.0	7.95	39.4	9.70	42.2	10.56	45.8	11.76	52.0	12.13	55.9	12.19
43	28.4	8.09	34.0	8.30	39.4	10.06	42.2	11.06	45.8	12.01	52.0	12.28	55.9	12.38	
45	28.4	8.46	34.0	8.72	39.4	10.48	42.2	11.76	45.8	12.35	52.0	13.35	55.9	13.92	
48	28.4	9.76	34.0	10.70	39.4	11.64	42.2	12.57	45.8	13.51	52.0	14.45	55.9	15.39	
50	28.4	11.05	34.0	11.99	39.4	12.93	42.2	13.87	45.8	14.81	52.0	15.74	55.9	16.68	
52	28.4	12.35	34.0	13.29	39.4	14.22	42.2	15.16	45.8	16.10	52.0	17.04	55.9	17.98	
54	28.4	13.64	34.0	14.58	39.4	15.52	42.2	16.46	45.8	17.40	52.0	18.33	55.9	19.27	

Abbreviations:

TC: Total capacity (kW)

PI: Power input (compressor + outdoor fan motor) (kW)

Table continued on next page ...

Table 2-8.34: 20HP cooling part load performance (continued)

Part load	Outdoor air temp. (°CDB)	Indoor air temp. (°C DB/WD)													
		20.8/14		23.3/16		25.8/18		27/19		28.2/20		30.7/22		32/24	
		TC kW	PI kW	TC kW	PI kW	TC kW	PI kW	TC kW	PI kW	TC kW	PI kW	TC kW	PI kW	TC kW	PI kW
50%	-5	19.0	1.88	22.7	2.05	26.4	2.26	28.3	2.89	30.7	3.15	35.0	3.50	37.5	4.02
	-2	19.0	1.91	22.7	2.08	26.4	2.29	28.3	2.93	30.7	3.21	35.0	3.56	37.5	4.05
	0	19.0	1.93	22.7	2.10	26.4	2.33	28.3	2.97	30.7	3.25	35.0	3.61	37.5	4.10
	2	19.0	1.96	22.7	2.13	26.4	2.35	28.3	3.03	30.7	3.30	35.0	3.68	37.5	4.15
	4	19.0	1.98	22.7	2.16	26.4	2.40	28.3	3.06	30.7	3.36	35.0	3.74	37.5	4.21
	6	19.0	2.02	22.7	2.20	26.4	2.44	28.3	3.13	30.7	3.43	35.0	3.82	37.5	4.31
	8	19.0	2.05	22.7	2.24	26.4	2.50	28.3	3.19	30.7	3.50	35.0	3.89	37.5	4.38
	10	19.0	2.09	22.7	2.28	26.4	2.54	28.3	3.28	30.7	3.56	35.0	3.96	37.5	4.37
	12	19.0	2.13	22.7	2.33	26.4	2.59	28.3	3.34	30.7	3.63	35.0	4.04	37.5	4.44
	14	19.0	2.18	22.7	2.38	26.4	2.64	28.3	3.40	30.7	3.69	35.0	4.11	37.5	4.51
	16	19.0	2.22	22.7	2.44	26.4	2.70	28.3	3.45	30.7	3.76	35.0	4.18	37.5	4.60
	18	19.0	2.26	22.7	2.49	26.4	2.75	28.3	3.51	30.7	3.83	35.0	4.25	37.5	4.69
	20	19.0	2.31	22.7	2.57	26.4	2.81	28.3	3.59	30.7	3.86	35.0	4.34	37.5	4.78
	21	19.0	2.33	22.7	2.68	26.4	2.86	28.3	3.84	30.7	3.93	35.0	4.38	37.5	4.88
	23	19.0	2.49	22.7	2.89	26.4	3.07	28.3	4.11	30.7	4.18	35.0	4.56	37.5	4.92
	25	19.0	2.67	22.7	3.12	26.4	3.30	28.3	4.33	30.7	4.46	35.0	4.86	37.5	5.24
	27	19.0	2.85	22.7	3.35	26.4	3.53	28.3	4.54	30.7	4.75	35.0	5.18	37.5	5.59
	29	19.0	3.05	22.7	3.60	26.4	3.78	28.3	4.74	30.7	5.05	35.0	5.53	37.5	5.97
	31	19.0	3.27	22.7	3.86	26.4	4.04	28.3	5.00	30.7	5.37	35.0	5.88	37.5	6.37
	33	19.0	3.49	22.7	4.14	26.4	4.32	28.3	5.21	30.7	5.70	35.0	6.26	37.5	6.78
	35	19.0	3.71	22.7	4.44	26.4	4.61	28.3	5.25	30.7	6.05	35.0	6.66	37.5	7.23
	37	19.0	3.96	22.7	4.75	26.4	4.91	28.3	5.49	30.7	6.43	35.0	7.08	37.5	7.69
	39	19.0	4.21	22.7	5.07	26.4	5.24	28.3	5.71	30.7	6.67	35.0	7.52	37.5	8.19
	41	19.0	4.37	22.7	5.27	26.4	5.43	28.3	5.91	30.7	6.90	35.0	7.87	37.5	8.71
43	19.0	4.53	22.7	5.37	26.4	5.63	28.3	6.19	30.7	7.24	35.0	8.21	37.5	9.10	
45	19.0	4.90	22.7	6.05	26.4	6.39	28.3	6.74	30.7	7.83	35.0	8.58	37.5	9.50	
48	19.0	5.62	22.7	6.31	26.4	6.99	28.3	7.67	30.7	8.36	35.0	9.04	37.5	9.72	
50	19.0	6.35	22.7	7.03	26.4	7.71	28.3	8.40	30.7	9.08	35.0	9.76	37.5	10.45	
52	19.0	7.07	22.7	7.76	26.4	8.44	28.3	9.12	30.7	9.81	35.0	10.49	37.5	11.17	
54	19.0	7.80	22.7	8.48	26.4	9.16	28.3	9.85	30.7	10.53	35.0	11.21	37.5	11.90	
25%	-5	9.5	1.02	11.4	1.11	13.2	1.23	14.1	1.68	15.3	1.75	17.4	1.99	18.7	2.14
	-2	9.5	1.04	11.4	1.13	13.2	1.24	14.1	1.73	15.3	1.78	17.4	2.01	18.7	2.17
	0	9.5	1.05	11.4	1.14	13.2	1.26	14.1	1.73	15.3	1.80	17.4	2.05	18.7	2.21
	2	9.5	1.06	11.4	1.16	13.2	1.28	14.1	1.74	15.3	1.83	17.4	2.06	18.7	2.25
	4	9.5	1.07	11.4	1.18	13.2	1.30	14.1	1.74	15.3	1.87	17.4	2.11	18.7	2.31
	6	9.5	1.10	11.4	1.19	13.2	1.33	14.1	1.76	15.3	1.90	17.4	2.14	18.7	2.37
	8	9.5	1.11	11.4	1.22	13.2	1.36	14.1	1.76	15.3	1.93	17.4	2.17	18.7	2.45
	10	9.5	1.14	11.4	1.24	13.2	1.38	14.1	1.75	15.3	1.98	17.4	2.23	18.7	2.49
	12	9.5	1.16	11.4	1.27	13.2	1.41	14.1	1.76	15.3	2.02	17.4	2.27	18.7	2.53
	14	9.5	1.18	11.4	1.29	13.2	1.44	14.1	1.77	15.3	2.05	17.4	2.31	18.7	2.58
	16	9.5	1.20	11.4	1.33	13.2	1.47	14.1	1.77	15.3	2.08	17.4	2.35	18.7	2.62
	18	9.5	1.23	11.4	1.35	13.2	1.49	14.1	1.78	15.3	2.12	17.4	2.39	18.7	2.67
	20	9.5	1.25	11.4	1.40	13.2	1.53	14.1	1.86	15.3	2.16	17.4	2.43	18.7	2.72
	21	9.5	1.27	11.4	1.46	13.2	1.55	14.1	1.96	15.3	2.18	17.4	2.46	18.7	2.75
	23	9.5	1.35	11.4	1.57	13.2	1.67	14.1	2.09	15.3	2.22	17.4	2.50	18.7	2.80
	25	9.5	1.45	11.4	1.69	13.2	1.79	14.1	2.22	15.3	2.29	17.4	2.63	18.7	2.99
	27	9.5	1.55	11.4	1.82	13.2	1.92	14.1	2.40	15.3	2.43	17.4	2.80	18.7	3.19
	29	9.5	1.66	11.4	1.96	13.2	2.05	14.1	2.47	15.3	2.59	17.4	2.97	18.7	3.40
	31	9.5	1.77	11.4	2.10	13.2	2.19	14.1	2.63	15.3	2.75	17.4	3.16	18.7	3.62
	33	9.5	1.89	11.4	2.25	13.2	2.35	14.1	2.77	15.3	2.91	17.4	3.36	18.7	3.85
	35	9.5	2.02	11.4	2.41	13.2	2.50	14.1	2.85	15.3	3.08	17.4	3.57	18.7	4.08
	37	9.5	2.15	11.4	2.58	13.2	2.67	14.1	2.98	15.3	3.27	17.4	3.79	18.7	4.34
	39	9.5	2.29	11.4	2.76	13.2	2.85	14.1	3.10	15.3	3.47	17.4	4.01	18.7	4.61
	41	9.5	2.38	11.4	2.86	13.2	2.95	14.1	3.21	15.3	3.62	17.4	4.23	18.7	4.82
43	9.5	2.46	11.4	2.92	13.2	3.06	14.1	3.42	15.3	3.71	17.4	4.44	18.7	5.04	
45	9.5	2.57	11.4	3.29	13.2	3.50	14.1	3.78	15.3	4.15	17.4	4.87	18.7	5.25	
48	9.5	3.03	11.4	3.45	13.2	3.88	14.1	4.31	15.3	4.74	17.4	5.17	18.7	5.59	
50	9.5	3.48	11.4	3.91	13.2	4.33	14.1	4.76	15.3	5.19	17.4	5.62	18.7	6.05	
52	9.5	3.93	11.4	4.36	13.2	4.78	14.1	5.21	15.3	5.64	17.4	6.07	18.7	6.50	
54	9.5	4.38	11.4	4.81	13.2	5.24	14.1	5.66	15.3	6.09	17.4	6.52	18.7	6.95	

Abbreviations:

TC: Total capacity (kW)

PI: Power input (compressor + outdoor fan motor) (kW)

Table 2-8.35: 22HP cooling part load performance

Part load	Outdoor air temp. (°CDB)	Indoor air temp. (°C DB/WD)													
		20.8/14		23.3/16		25.8/18		27/19		28.2/20		30.7/22		32/24	
		TC kW	PI kW	TC kW	PI kW	TC kW	PI kW	TC kW	PI kW	TC kW	PI kW	TC kW	PI kW	TC kW	PI kW
100%	-5	43.1	7.22	50.7	7.86	60.6	8.67	61.5	10.18	66.7	9.94	76.7	11.01	79.0	12.14
	-2	43.1	7.32	50.7	7.96	60.6	8.85	61.5	10.26	66.7	10.08	76.7	11.15	79.0	12.22
	0	43.1	7.40	50.7	8.06	60.6	8.99	61.5	10.41	66.7	10.18	76.7	11.35	79.0	12.36
	2	43.1	7.51	50.7	8.16	60.6	9.20	61.5	10.51	66.7	10.30	76.7	11.53	79.0	12.56
	4	43.1	7.58	50.7	8.31	60.6	9.32	61.5	10.66	66.7	10.44	76.7	11.65	79.0	12.70
	6	43.1	7.74	50.7	8.43	60.6	9.48	61.5	10.89	66.7	10.60	76.7	11.83	79.0	12.90
	8	43.1	7.86	50.7	8.60	60.6	9.65	61.5	11.09	66.7	10.79	76.7	12.04	79.0	13.12
	10	43.1	8.02	50.7	8.76	60.6	9.81	61.5	11.26	66.7	11.00	76.7	12.25	79.0	13.32
	12	43.1	8.18	50.7	8.95	60.6	10.18	61.5	11.48	66.7	11.22	76.7	12.50	77.9	13.42
	14	43.1	8.35	50.7	9.14	60.6	10.65	61.5	12.21	66.7	11.43	76.7	12.77	77.0	13.59
	16	43.1	8.51	50.7	9.36	60.6	10.91	61.5	12.52	66.7	11.68	74.4	12.93	75.9	13.75
	18	43.1	8.67	50.7	9.55	60.6	11.33	61.5	13.01	66.7	11.92	73.5	13.39	75.0	14.11
	20	43.1	8.86	50.7	9.88	60.6	12.27	61.5	13.90	66.7	12.82	72.4	14.07	73.9	14.81
	21	43.1	8.94	50.7	10.28	60.6	13.15	61.5	14.75	66.7	13.28	72.0	14.42	73.5	15.16
	23	43.1	9.57	50.7	11.10	60.6	14.14	61.5	15.76	66.7	14.28	71.1	15.13	72.4	15.87
	25	43.1	10.25	50.7	11.97	60.6	15.26	61.5	16.55	66.7	15.34	70.0	15.84	71.5	16.58
	27	43.1	10.95	50.7	12.86	60.6	16.16	61.5	17.55	66.7	16.46	68.9	16.54	70.4	17.31
	29	43.1	11.71	50.7	13.82	60.6	17.37	61.5	18.07	66.5	17.52	68.0	17.28	69.5	18.02
	31	43.1	12.53	50.7	14.82	60.6	18.58	61.5	18.40	65.6	18.22	66.9	17.98	68.4	18.75
	33	43.1	13.37	50.7	15.88	60.6	19.46	61.5	18.92	64.5	18.93	66.0	18.69	67.6	19.48
	35	43.1	14.24	50.7	17.02	60.6	19.86	61.5	20.16	63.4	19.64	64.9	19.42	66.5	20.19
	37	43.1	15.19	50.7	18.22	60.6	20.00	60.7	20.27	62.8	20.37	64.0	20.15	65.4	20.93
	39	43.1	16.17	50.7	19.47	60.6	20.36	59.9	20.36	61.9	21.08	63.0	20.86	64.5	21.69
	41	43.1	16.78	50.7	20.22	60.6	20.67	59.2	20.67	61.0	21.41	60.6	21.38	63.6	22.14
43	43.1	17.38	50.7	20.62	60.6	20.81	59.0	20.81	60.2	21.62	61.0	21.52	61.2	22.39	
45	43.1	18.19	50.7	20.99	60.6	21.00	58.6	21.00	59.3	22.03	60.5	21.87	60.0	22.69	
48	43.1	18.90	50.7	21.92	60.6	21.30	57.9	21.20	58.5	22.46	59.1	22.39	58.7	23.24	
50	43.1	19.68	50.7	22.47	60.6	21.53	57.4	21.39	57.6	22.87	58.3	22.79	57.5	23.62	
52	43.1	20.44	50.7	23.12	60.6	21.78	56.9	21.58	56.8	23.29	57.4	23.22	56.3	24.05	
54	43.1	21.20	50.7	23.77	60.6	22.02	56.3	21.77	55.9	23.71	56.4	23.65	55.0	24.47	
75%	-5	31.1	2.99	37.2	3.51	43.1	3.81	46.2	4.07	50.1	4.55	57.0	5.20	61.2	5.98
	-2	31.1	3.02	37.2	3.52	43.1	3.83	46.2	4.09	50.1	4.63	57.0	5.28	61.2	6.06
	0	31.1	3.03	37.2	3.57	43.1	3.92	46.2	4.11	50.1	4.71	57.0	5.39	61.2	6.14
	2	31.1	3.05	37.2	3.59	43.1	3.98	46.2	4.22	50.1	4.79	57.0	5.51	61.2	6.24
	4	31.1	3.09	37.2	3.68	43.1	4.07	46.2	4.29	50.1	4.90	57.0	5.60	61.2	6.39
	6	31.1	3.14	37.2	3.74	43.1	4.18	46.2	4.37	50.1	5.01	57.0	5.69	61.2	6.51
	8	31.1	3.20	37.2	3.85	43.1	4.28	46.2	4.44	50.1	5.12	57.0	5.86	61.2	6.64
	10	31.1	3.26	37.2	3.91	43.1	4.39	46.2	4.52	50.1	5.26	57.0	5.98	61.2	6.72
	12	31.1	3.34	37.2	3.97	43.1	4.49	46.2	4.60	50.1	5.35	57.0	6.09	61.2	6.85
	14	31.1	3.40	37.2	4.04	43.1	4.56	46.2	4.75	50.1	5.44	57.0	6.20	61.2	6.98
	16	31.1	3.45	37.2	4.12	43.1	4.65	46.2	4.77	50.1	5.55	57.0	6.31	61.2	7.10
	18	31.1	3.51	37.2	4.19	43.1	4.74	46.2	4.78	50.1	5.65	57.0	6.44	61.2	7.25
	20	31.1	3.56	37.2	4.26	43.1	4.84	46.2	5.09	50.1	5.76	57.0	6.57	61.2	7.45
	21	31.1	3.60	37.2	4.30	43.1	4.87	46.2	5.46	50.1	5.81	57.0	6.66	61.2	7.71
	23	31.1	3.65	37.2	4.37	43.1	4.98	46.2	5.75	50.1	6.11	57.0	7.14	61.2	8.27
	25	31.1	3.73	37.2	4.56	43.1	5.32	46.2	6.18	50.1	6.51	57.0	7.64	61.2	8.84
	27	31.1	3.95	37.2	4.85	43.1	5.69	46.2	6.62	50.1	6.96	57.0	8.16	61.2	9.45
	29	31.1	4.19	37.2	5.15	43.1	6.05	46.2	6.93	50.1	7.40	57.0	8.69	61.2	10.09
	31	31.1	4.43	37.2	5.46	43.1	6.46	46.2	7.39	50.1	7.88	57.0	9.26	61.2	10.76
	33	31.1	4.71	37.2	5.81	43.1	6.89	46.2	7.83	50.1	8.40	57.0	9.87	61.2	11.48
	35	31.1	4.98	37.2	6.16	43.1	7.31	46.2	8.19	50.1	8.93	57.0	10.52	61.2	12.23
	37	31.1	5.26	37.2	6.53	43.1	7.79	46.2	8.31	50.1	9.50	57.0	11.20	61.2	13.03
	39	31.1	5.57	37.2	6.92	43.1	8.27	46.2	8.45	50.1	10.09	57.0	11.90	61.2	13.88
	41	31.1	5.82	37.2	7.17	43.1	8.52	46.2	8.86	50.1	10.40	57.0	12.39	61.2	14.49
43	31.1	6.29	37.2	7.66	43.1	8.87	46.2	9.22	50.1	10.71	57.0	12.84	61.2	14.94	
45	31.1	6.43	37.2	7.82	43.1	9.06	46.2	9.47	50.1	11.24	57.0	13.54	61.2	15.52	
48	31.1	6.79	37.2	8.21	43.1	9.45	46.2	9.79	50.1	11.62	57.0	14.06	61.2	16.18	
50	31.1	7.01	37.2	8.45	43.1	9.70	46.2	10.06	50.1	12.10	57.0	14.70	61.2	16.79	
52	31.1	7.26	37.2	8.73	43.1	9.99	46.2	10.35	50.1	12.55	57.0	15.31	61.2	17.41	
54	31.1	7.51	37.2	9.01	43.1	10.28	46.2	10.63	50.1	13.00	57.0	15.92	61.2	18.03	

Abbreviations:

TC: Total capacity (kW)

PI: Power input (compressor + outdoor fan motor) (kW)

Table continued on next page ...

Table 2-8.35: 22HP cooling part load performance (continued)

Part load	Outdoor air temp. (°CDB)	Indoor air temp. (°C DB/WD)													
		20.8/14		23.3/16		25.8/18		27/19		28.2/20		30.7/22		32/24	
		TC kW	PI kW	TC kW	PI kW	TC kW	PI kW	TC kW	PI kW	TC kW	PI kW	TC kW	PI kW	TC kW	PI kW
50%	-5	21.0	1.69	25.1	1.88	29.1	2.10	31.1	2.39	33.7	2.48	38.3	2.83	41.3	3.05
	-2	21.0	1.71	25.1	1.92	29.1	2.13	31.1	2.45	33.7	2.53	38.3	2.86	41.3	3.09
	0	21.0	1.73	25.1	1.95	29.1	2.16	31.1	2.46	33.7	2.56	38.3	2.91	41.3	3.14
	2	21.0	1.76	25.1	1.97	29.1	2.19	31.1	2.47	33.7	2.60	38.3	2.92	41.3	3.20
	4	21.0	1.78	25.1	2.01	29.1	2.23	31.1	2.48	33.7	2.66	38.3	3.00	41.3	3.28
	6	21.0	1.81	25.1	2.04	29.1	2.26	31.1	2.50	33.7	2.70	38.3	3.04	41.3	3.38
	8	21.0	1.85	25.1	2.08	29.1	2.29	31.1	2.51	33.7	2.74	38.3	3.09	41.3	3.49
	10	21.0	1.89	25.1	2.10	29.1	2.32	31.1	2.49	33.7	2.82	38.3	3.17	41.3	3.54
	12	21.0	1.90	25.1	2.13	29.1	2.36	31.1	2.50	33.7	2.88	38.3	3.23	41.3	3.59
	14	21.0	1.93	25.1	2.16	29.1	2.48	31.1	2.51	33.7	2.92	38.3	3.28	41.3	3.67
	16	21.0	1.96	25.1	2.19	29.1	2.53	31.1	2.52	33.7	2.96	38.3	3.34	41.3	3.72
	18	21.0	1.99	25.1	2.23	29.1	2.57	31.1	2.53	33.7	3.02	38.3	3.40	41.3	3.79
	20	21.0	2.02	25.1	2.26	29.1	2.61	31.1	2.57	33.7	3.07	38.3	3.45	41.3	3.86
	21	21.0	2.03	25.1	2.29	29.1	2.64	31.1	2.78	33.7	3.10	38.3	3.50	41.3	3.91
	23	21.0	2.06	25.1	2.32	29.1	2.68	31.1	2.97	33.7	3.16	38.3	3.55	41.3	3.99
	25	21.0	2.09	25.1	2.36	29.1	2.74	31.1	3.16	33.7	3.26	38.3	3.74	41.3	4.26
	27	21.0	2.13	25.1	2.46	29.1	2.89	31.1	3.41	33.7	3.45	38.3	3.98	41.3	4.54
	29	21.0	2.24	25.1	2.60	29.1	3.08	31.1	3.51	33.7	3.68	38.3	4.23	41.3	4.84
	31	21.0	2.37	25.1	2.75	29.1	3.26	31.1	3.74	33.7	3.91	38.3	4.50	41.3	5.15
	33	21.0	2.51	25.1	2.92	29.1	3.47	31.1	3.95	33.7	4.14	38.3	4.78	41.3	5.47
	35	21.0	2.65	25.1	3.09	29.1	3.67	31.1	4.06	33.7	4.39	38.3	5.08	41.3	5.81
	37	21.0	2.79	25.1	3.27	29.1	3.89	31.1	4.07	33.7	4.65	38.3	5.39	41.3	6.17
	39	21.0	2.95	25.1	3.46	29.1	4.12	31.1	4.11	33.7	4.93	38.3	5.71	41.3	6.56
	41	21.0	3.07	25.1	3.61	29.1	4.27	31.1	4.19	33.7	5.15	38.3	6.01	41.3	6.86
43	21.0	3.27	25.1	3.86	29.1	4.42	31.1	4.30	33.7	5.28	38.3	6.32	41.3	7.16	
45	21.0	3.35	25.1	3.96	29.1	4.73	31.1	4.42	33.7	5.50	38.3	6.93	41.3	7.77	
48	21.0	3.52	25.1	4.17	29.1	4.88	31.1	4.48	33.7	5.72	38.3	7.18	41.3	8.05	
50	21.0	3.62	25.1	4.31	29.1	5.13	31.1	4.59	33.7	5.94	38.3	7.67	41.3	8.55	
52	21.0	3.74	25.1	4.46	29.1	5.36	31.1	4.68	33.7	6.16	38.3	8.10	41.3	8.99	
54	21.0	3.86	25.1	4.61	29.1	5.59	31.1	4.77	33.7	6.38	38.3	8.53	41.3	9.43	
25%	-5	11.2	0.97	13.3	1.05	15.8	1.19	15.4	1.33	19.5	1.41	20.6	1.60	23.5	1.82
	-2	11.2	0.99	13.3	1.06	15.8	1.21	15.4	1.37	19.5	1.45	20.6	1.65	23.5	1.85
	0	11.2	1.00	13.3	1.08	15.8	1.23	15.4	1.40	19.5	1.48	20.6	1.68	23.5	1.88
	2	11.2	1.01	13.3	1.09	15.8	1.25	15.4	1.42	19.5	1.51	20.6	1.71	23.5	1.92
	4	11.2	1.03	13.3	1.11	15.8	1.27	15.4	1.45	19.5	1.53	20.6	1.74	23.5	1.95
	6	11.2	1.04	13.3	1.13	15.8	1.29	15.4	1.49	19.5	1.56	20.6	1.77	23.5	1.99
	8	11.2	1.06	13.3	1.15	15.8	1.32	15.4	1.51	19.5	1.59	20.6	1.80	23.5	2.02
	10	11.2	1.07	13.3	1.16	15.8	1.33	15.4	1.54	19.5	1.61	20.6	1.82	23.5	2.05
	12	11.2	1.08	13.3	1.18	15.8	1.36	15.4	1.56	19.5	1.64	20.6	1.86	23.5	2.09
	14	11.2	1.10	13.3	1.20	15.8	1.39	15.4	1.58	19.5	1.69	20.6	1.96	23.5	2.24
	16	11.2	1.12	13.3	1.26	15.8	1.47	15.4	1.61	19.5	1.80	20.6	2.09	23.5	2.40
	18	11.2	1.18	13.3	1.33	15.8	1.57	15.4	1.66	19.5	1.92	20.6	2.23	23.5	2.56
	20	11.2	1.25	13.3	1.20	15.8	1.67	15.4	1.74	19.5	2.05	20.6	2.37	23.5	2.58
	21	11.2	1.33	13.3	1.42	15.8	1.79	15.4	1.78	19.5	2.18	20.6	2.48	23.5	2.72
	23	11.2	1.41	13.3	1.60	15.8	1.90	15.4	1.85	19.5	2.31	20.6	2.55	23.5	2.80
	25	11.2	1.48	13.3	1.70	15.8	2.02	15.4	1.92	19.5	2.46	20.6	2.58	23.5	2.92
	27	11.2	1.57	13.3	1.80	15.8	2.14	15.4	2.06	19.5	2.61	20.6	2.66	23.5	3.02
	29	11.2	1.63	13.3	1.89	15.8	2.23	15.4	2.09	19.5	2.73	20.6	2.80	23.5	3.03
	31	11.2	1.74	13.3	2.03	15.8	2.31	15.4	2.16	19.5	2.80	20.6	2.86	23.5	3.17
	33	11.2	1.79	13.3	2.08	15.8	2.48	15.4	2.22	19.5	2.92	20.6	2.99	23.5	3.24
	35	11.2	1.84	13.3	2.16	15.8	2.65	15.4	2.22	19.5	3.08	20.6	3.06	23.5	3.31
	37	11.2	1.99	13.3	2.37	15.8	2.80	15.4	2.34	19.5	3.18	20.6	3.10	23.5	3.44
	39	11.2	2.18	13.3	2.62	15.8	2.95	15.4	2.40	19.5	3.44	20.6	3.24	23.5	3.52
	41	11.2	2.46	13.3	2.69	15.8	2.96	15.4	2.49	19.5	3.47	20.6	3.29	23.5	3.64
43	11.2	2.59	13.3	2.76	15.8	3.03	15.4	2.56	19.5	3.54	20.6	3.40	23.5	3.74	
45	11.2	2.66	13.3	2.86	15.8	3.11	15.4	2.63	19.5	3.68	20.6	3.51	23.5	3.89	
48	11.2	2.24	13.3	2.28	15.8	2.51	15.4	2.67	19.5	2.37	20.6	2.18	23.5	2.72	
50	11.2	2.15	13.3	2.15	15.8	2.36	15.4	2.73	19.5	2.03	20.6	1.82	23.5	2.43	
52	11.2	1.97	13.3	1.91	15.8	2.09	15.4	2.79	19.5	1.44	20.6	1.21	23.5	1.92	
54	11.2	1.80	13.3	1.68	15.8	1.83	15.4	2.84	19.5	0.85	20.6	0.60	23.5	1.41	

Abbreviations:

TC: Total capacity (kW)

PI: Power input (compressor + outdoor fan motor) (kW)

Table 2-8.36: 24HP cooling part load performance

Part load	Outdoor air temp. (°CDB)	Indoor air temp. (°C DB/WD)													
		20.8/14		23.3/16		25.8/18		27/19		28.2/20		30.7/22		32/24	
		TC kW	PI kW	TC kW	PI kW	TC kW	PI kW	TC kW	PI kW	TC kW	PI kW	TC kW	PI kW	TC kW	PI kW
100%	-5	47.0	7.74	55.2	8.43	66.1	9.29	67.0	10.91	72.6	10.65	83.5	11.80	86.0	13.01
	-2	47.0	7.84	55.2	8.54	66.1	9.48	67.0	11.00	72.6	10.81	83.5	11.95	86.0	13.10
	0	47.0	7.93	55.2	8.64	66.1	9.64	67.0	11.16	72.6	10.91	83.5	12.17	86.0	13.25
	2	47.0	8.05	55.2	8.75	66.1	9.86	67.0	11.26	72.6	11.04	83.5	12.36	86.0	13.46
	4	47.0	8.13	55.2	8.90	66.1	9.99	67.0	11.43	72.6	11.19	83.5	12.49	86.0	13.61
	6	47.0	8.30	55.2	9.03	66.1	10.16	67.0	11.67	72.6	11.37	83.5	12.69	86.0	13.83
	8	47.0	8.43	55.2	9.22	66.1	10.35	67.0	11.88	72.6	11.56	83.5	12.90	86.0	14.07
	10	47.0	8.60	55.2	9.39	66.1	10.51	67.0	12.07	72.6	11.79	83.5	13.13	86.0	14.28
	12	47.0	8.77	55.2	9.59	66.1	10.91	67.0	12.31	72.6	12.02	83.5	13.39	84.8	14.39
	14	47.0	8.95	55.2	9.80	66.1	11.42	67.0	13.09	72.6	12.25	83.5	13.68	83.9	14.57
	16	47.0	9.12	55.2	10.03	66.1	11.70	67.0	13.42	72.6	12.52	81.0	13.86	82.7	14.74
	18	47.0	9.29	55.2	10.24	66.1	12.14	67.0	13.95	72.6	12.78	80.1	14.36	81.7	15.12
	20	47.0	9.50	55.2	10.59	66.1	13.16	67.0	14.90	72.6	13.74	78.9	15.08	80.5	15.88
	21	47.0	9.59	55.2	11.02	66.1	14.09	67.0	15.81	72.6	14.23	78.4	15.46	80.1	16.26
	23	47.0	10.26	55.2	11.90	66.1	15.16	67.0	16.90	72.6	15.31	77.4	16.22	78.9	17.01
	25	47.0	10.98	55.2	12.83	66.1	16.36	67.0	17.74	72.6	16.45	76.2	16.98	77.9	17.77
	27	47.0	11.74	55.2	13.79	66.1	17.32	67.0	18.81	72.6	17.64	75.0	17.73	76.7	18.56
	29	47.0	12.56	55.2	14.81	66.1	18.62	67.0	19.36	72.4	18.78	74.1	19.17	75.8	19.31
	31	47.0	13.43	55.2	15.89	66.1	19.91	67.0	19.72	71.4	19.54	72.9	19.86	74.6	20.10
	33	47.0	14.33	55.2	17.02	66.1	20.86	67.0	20.28	70.3	20.29	71.9	20.59	73.6	20.89
	35	47.0	15.27	55.2	18.25	66.1	21.29	67.0	21.61	69.1	21.64	70.7	21.86	72.4	22.08
	37	47.0	16.29	55.2	19.53	66.1	21.44	66.1	22.59	68.4	22.92	69.8	23.20	71.2	23.51
	39	47.0	17.33	55.2	20.87	66.1	21.83	65.3	23.47	67.4	23.87	68.6	24.34	70.3	24.54
	41	47.0	17.98	55.2	21.68	66.1	22.15	64.5	24.31	66.5	24.81	66.1	25.05	69.3	25.31
43	47.0	18.63	55.2	22.10	66.1	22.89	64.2	25.47	65.6	25.87	66.5	26.31	66.7	26.52	
45	47.0	19.49	55.2	22.72	66.1	24.33	63.8	27.08	64.6	28.58	65.9	30.02	65.6	30.59	
48	47.0	22.48	55.2	24.21	66.1	25.93	63.1	29.18	63.7	30.90	64.4	32.63	64.7	34.36	
50	47.0	25.46	55.2	27.19	66.1	28.92	62.5	30.65	62.8	32.37	63.4	34.10	63.7	35.83	
52	47.0	28.44	55.2	30.17	66.1	31.90	61.9	33.63	61.8	35.36	62.4	37.08	62.7	38.81	
54	47.0	31.42	55.2	33.15	66.1	34.88	61.4	36.61	60.9	38.34	61.4	40.07	61.7	41.80	
75%	-5	34.0	4.54	40.7	4.69	47.1	5.45	50.5	6.29	54.8	6.77	62.3	7.78	66.9	8.91
	-2	34.0	4.60	40.7	4.74	47.1	5.53	50.5	6.32	54.8	6.85	62.3	7.86	66.9	9.00
	0	34.0	4.65	40.7	4.80	47.1	5.61	50.5	6.35	54.8	6.94	62.3	7.95	66.9	9.07
	2	34.0	4.72	40.7	4.87	47.1	5.68	50.5	6.53	54.8	7.05	62.3	8.11	66.9	9.20
	4	34.0	4.76	40.7	4.94	47.1	5.78	50.5	6.63	54.8	7.13	62.3	8.24	66.9	9.33
	6	34.0	4.87	40.7	5.04	47.1	5.89	50.5	6.76	54.8	7.26	62.3	8.36	66.9	9.49
	8	34.0	4.94	40.7	5.14	47.1	6.02	50.5	6.87	54.8	7.39	62.3	8.52	66.9	9.58
	10	34.0	5.04	40.7	5.26	47.1	6.14	50.5	6.99	54.8	7.56	62.3	8.63	66.9	9.73
	12	34.0	5.14	40.7	5.36	47.1	6.26	50.5	7.12	54.8	7.70	62.3	8.79	66.9	9.91
	14	34.0	5.25	40.7	5.46	47.1	6.38	50.5	7.35	54.8	7.84	62.3	8.95	66.9	10.09
	16	34.0	5.35	40.7	5.56	47.1	6.52	50.5	7.38	54.8	7.99	62.3	9.13	66.9	10.27
	18	34.0	5.45	40.7	5.68	47.1	6.64	50.5	7.40	54.8	8.15	62.3	9.31	66.9	10.59
	20	34.0	5.57	40.7	5.82	47.1	6.78	50.5	7.88	54.8	8.45	62.3	10.01	66.9	11.09
	21	34.0	5.62	40.7	5.86	47.1	6.89	50.5	8.44	54.8	8.76	62.3	10.37	66.9	11.35
	23	34.0	6.01	40.7	6.10	47.1	7.41	50.5	8.90	54.8	9.39	62.3	11.13	66.9	11.87
	25	34.0	6.44	40.7	6.54	47.1	7.95	50.5	9.55	54.8	10.03	62.3	11.91	66.9	12.39
	27	34.0	6.88	40.7	6.98	47.1	8.51	50.5	10.24	54.8	10.73	62.3	12.75	66.9	12.91
	29	34.0	7.36	40.7	7.46	47.1	9.11	50.5	10.71	54.8	11.47	62.3	13.33	66.9	13.43
	31	34.0	7.88	40.7	7.96	47.1	9.73	50.5	11.43	54.8	12.23	62.3	13.85	66.9	13.97
	33	34.0	8.41	40.7	8.48	47.1	10.41	50.5	12.12	54.8	13.05	62.3	14.39	66.9	14.49
	35	34.0	8.95	40.7	9.04	47.1	11.11	50.5	12.67	54.8	13.91	62.3	14.91	66.9	15.03
	37	34.0	9.55	40.7	9.62	47.1	11.85	50.5	13.25	54.8	14.83	62.3	15.43	66.9	15.55
	39	34.0	10.16	40.7	10.26	47.1	12.63	50.5	13.76	54.8	15.82	62.3	15.97	66.9	16.09
	41	34.0	10.54	40.7	10.74	47.1	13.11	50.5	14.26	54.8	15.89	62.3	16.38	66.9	16.47
43	34.0	10.92	40.7	11.21	47.1	13.58	50.5	14.93	54.8	16.22	62.3	16.59	66.9	16.73	
45	34.0	11.43	40.7	11.78	47.1	14.15	50.5	15.88	54.8	16.67	62.3	18.03	66.9	18.80	
48	34.0	13.18	40.7	14.45	47.1	15.71	50.5	16.98	54.8	18.25	62.3	19.52	66.9	20.78	
50	34.0	14.93	40.7	16.20	47.1	17.46	50.5	18.73	54.8	20.00	62.3	21.27	66.9	22.53	
52	34.0	16.68	40.7	17.94	47.1	19.21	50.5	20.48	54.8	21.75	62.3	23.01	66.9	24.28	
54	34.0	18.43	40.7	19.69	47.1	20.96	50.5	22.23	54.8	23.50	62.3	24.76	66.9	26.03	

Abbreviations:

TC: Total capacity (kW)

PI: Power input (compressor + outdoor fan motor) (kW)

Table continued on next page ...



Table 2-8.36: 24HP cooling part load performance

Part load	Outdoor air temp. (°CDB)	Indoor air temp. (°C DB/WD)													
		20.8/14		23.3/16		25.8/18		27/19		28.2/20		30.7/22		32/24	
		TC	PI	TC	PI	TC	PI	TC	PI	TC	PI	TC	PI	TC	PI
		kW	kW	kW	kW	kW	kW	kW	kW	kW	kW	kW	kW	kW	kW
50%	-5	22.8	2.54	27.2	2.77	31.6	3.05	33.8	3.90	36.7	4.26	41.8	4.73	44.9	5.43
	-2	22.8	2.58	27.2	2.80	31.6	3.09	33.8	3.96	36.7	4.33	41.8	4.80	44.9	5.46
	0	22.8	2.60	27.2	2.84	31.6	3.14	33.8	4.01	36.7	4.39	41.8	4.88	44.9	5.54
	2	22.8	2.64	27.2	2.87	31.6	3.18	33.8	4.09	36.7	4.45	41.8	4.97	44.9	5.61
	4	22.8	2.67	27.2	2.92	31.6	3.24	33.8	4.14	36.7	4.54	41.8	5.05	44.9	5.69
	6	22.8	2.73	27.2	2.97	31.6	3.30	33.8	4.23	36.7	4.63	41.8	5.15	44.9	5.82
	8	22.8	2.77	27.2	3.03	31.6	3.37	33.8	4.31	36.7	4.72	41.8	5.25	44.9	5.91
	10	22.8	2.82	27.2	3.08	31.6	3.44	33.8	4.43	36.7	4.80	41.8	5.35	44.9	5.90
	12	22.8	2.88	27.2	3.15	31.6	3.50	33.8	4.51	36.7	4.90	41.8	5.45	44.9	6.00
	14	22.8	2.94	27.2	3.22	31.6	3.57	33.8	4.59	36.7	4.98	41.8	5.55	44.9	6.10
	16	22.8	2.99	27.2	3.30	31.6	3.65	33.8	4.67	36.7	5.08	41.8	5.65	44.9	6.21
	18	22.8	3.05	27.2	3.36	31.6	3.72	33.8	4.74	36.7	5.18	41.8	5.74	44.9	6.33
	20	22.8	3.12	27.2	3.48	31.6	3.79	33.8	4.84	36.7	5.21	41.8	5.86	44.9	6.45
	21	22.8	3.15	27.2	3.62	31.6	3.86	33.8	5.19	36.7	5.31	41.8	5.92	44.9	6.59
	23	22.8	3.37	27.2	3.91	31.6	4.15	33.8	5.55	36.7	5.65	41.8	6.16	44.9	6.65
	25	22.8	3.61	27.2	4.21	31.6	4.45	33.8	5.85	36.7	6.02	41.8	6.57	44.9	7.08
	27	22.8	3.86	27.2	4.53	31.6	4.77	33.8	6.14	36.7	6.41	41.8	7.00	44.9	7.55
	29	22.8	4.12	27.2	4.86	31.6	5.10	33.8	6.40	36.7	6.82	41.8	7.47	44.9	8.06
	31	22.8	4.41	27.2	5.22	31.6	5.45	33.8	6.75	36.7	7.25	41.8	7.94	44.9	8.61
	33	22.8	4.71	27.2	5.59	31.6	5.83	33.8	7.04	36.7	7.70	41.8	8.45	44.9	9.15
	35	22.8	5.01	27.2	5.99	31.6	6.22	33.8	7.10	36.7	8.17	41.8	9.00	44.9	9.76
	37	22.8	5.35	27.2	6.41	31.6	6.64	33.8	7.42	36.7	8.68	41.8	9.57	44.9	10.39
	39	22.8	5.69	27.2	6.85	31.6	7.07	33.8	7.71	36.7	9.00	41.8	10.15	44.9	11.06
	41	22.8	5.91	27.2	7.12	31.6	7.34	33.8	7.98	36.7	9.32	41.8	10.63	44.9	11.76
43	22.8	6.12	27.2	7.26	31.6	7.61	33.8	8.36	36.7	9.78	41.8	11.09	44.9	12.30	
45	22.8	6.61	27.2	8.17	31.6	8.64	33.8	9.11	36.7	10.57	41.8	11.58	44.9	12.83	
48	22.8	7.59	27.2	8.52	31.6	9.44	33.8	10.36	36.7	11.28	41.8	12.21	44.9	13.13	
50	22.8	8.57	27.2	9.50	31.6	10.42	33.8	11.34	36.7	12.26	41.8	13.19	44.9	14.11	
52	22.8	9.55	27.2	10.48	31.6	11.40	33.8	12.32	36.7	13.24	41.8	14.17	44.9	15.09	
54	22.8	10.53	27.2	11.45	31.6	12.38	33.8	13.30	36.7	14.22	41.8	15.15	44.9	16.07	
25%	-5	11.4	1.38	13.6	1.50	15.8	1.66	16.9	2.27	18.3	2.36	20.8	2.68	22.4	2.89
	-2	11.4	1.40	13.6	1.52	15.8	1.68	16.9	2.33	18.3	2.40	20.8	2.72	22.4	2.93
	0	11.4	1.41	13.6	1.54	15.8	1.71	16.9	2.34	18.3	2.43	20.8	2.76	22.4	2.98
	2	11.4	1.44	13.6	1.56	15.8	1.73	16.9	2.35	18.3	2.47	20.8	2.78	22.4	3.04
	4	11.4	1.45	13.6	1.59	15.8	1.76	16.9	2.35	18.3	2.52	20.8	2.85	22.4	3.12
	6	11.4	1.48	13.6	1.61	15.8	1.79	16.9	2.37	18.3	2.57	20.8	2.89	22.4	3.21
	8	11.4	1.50	13.6	1.65	15.8	1.83	16.9	2.38	18.3	2.60	20.8	2.93	22.4	3.31
	10	11.4	1.53	13.6	1.68	15.8	1.87	16.9	2.36	18.3	2.68	20.8	3.01	22.4	3.36
	12	11.4	1.56	13.6	1.71	15.8	1.90	16.9	2.37	18.3	2.73	20.8	3.07	22.4	3.41
	14	11.4	1.60	13.6	1.75	15.8	1.94	16.9	2.39	18.3	2.77	20.8	3.12	22.4	3.48
	16	11.4	1.63	13.6	1.79	15.8	1.98	16.9	2.39	18.3	2.81	20.8	3.17	22.4	3.53
	18	11.4	1.66	13.6	1.83	15.8	2.02	16.9	2.40	18.3	2.86	20.8	3.23	22.4	3.60
	20	11.4	1.69	13.6	1.89	15.8	2.06	16.9	2.51	18.3	2.92	20.8	3.28	22.4	3.67
	21	11.4	1.71	13.6	1.97	15.8	2.10	16.9	2.64	18.3	2.95	20.8	3.32	22.4	3.71
	23	11.4	1.83	13.6	2.12	15.8	2.26	16.9	2.82	18.3	3.00	20.8	3.37	22.4	3.79
	25	11.4	1.96	13.6	2.29	15.8	2.42	16.9	3.00	18.3	3.09	20.8	3.55	22.4	4.04
	27	11.4	2.09	13.6	2.46	15.8	2.59	16.9	3.24	18.3	3.28	20.8	3.78	22.4	4.31
	29	11.4	2.24	13.6	2.64	15.8	2.77	16.9	3.33	18.3	3.49	20.8	4.02	22.4	4.59
	31	11.4	2.40	13.6	2.83	15.8	2.96	16.9	3.55	18.3	3.71	20.8	4.27	22.4	4.89
	33	11.4	2.56	13.6	3.04	15.8	3.17	16.9	3.75	18.3	3.94	20.8	4.54	22.4	5.19
	35	11.4	2.72	13.6	3.25	15.8	3.38	16.9	3.86	18.3	4.16	20.8	4.82	22.4	5.52
	37	11.4	2.91	13.6	3.48	15.8	3.61	16.9	4.03	18.3	4.42	20.8	5.11	22.4	5.86
	39	11.4	3.09	13.6	3.72	15.8	3.84	16.9	4.19	18.3	4.69	20.8	5.42	22.4	6.22
	41	11.4	3.21	13.6	3.87	15.8	3.99	16.9	4.34	18.3	4.89	20.8	5.71	22.4	6.51
43	11.4	3.32	13.6	3.94	15.8	4.13	16.9	4.62	18.3	5.01	20.8	6.00	22.4	6.80	
45	11.4	3.48	13.6	4.44	15.8	4.73	16.9	5.10	18.3	5.60	20.8	6.58	22.4	7.09	
48	11.4	4.09	13.6	4.67	15.8	5.24	16.9	5.82	18.3	6.40	20.8	6.98	22.4	7.56	
50	11.4	4.70	13.6	5.27	15.8	5.85	16.9	6.43	18.3	7.01	20.8	7.59	22.4	8.17	
52	11.4	5.31	13.6	5.88	15.8	6.46	16.9	7.04	18.3	7.62	20.8	8.20	22.4	8.77	
54	11.4	5.91	13.6	6.49	15.8	7.07	16.9	7.65	18.3	8.23	20.8	8.81	22.4	9.38	

Abbreviations:

TC: Total capacity (kW)

PI: Power input (compressor + outdoor fan motor) (kW)



Table 2-8.37: 26HP cooling part load performance

Part load	Outdoor air temp. (°CDB)	Indoor air temp. (°C DB/WD)													
		20.8/14		23.3/16		25.8/18		27/19		28.2/20		30.7/22		32/24	
		TC	PI	TC	PI	TC	PI	TC	PI	TC	PI	TC	PI	TC	PI
		kW	kW	kW	kW	kW	kW	kW	kW	kW	kW	kW	kW	kW	kW
100%	-5	51.2	7.69	60.1	8.37	72.0	9.23	73.0	10.84	79.2	10.58	91.0	11.72	93.8	12.92
	-2	51.2	7.79	60.1	8.48	72.0	9.42	73.0	10.92	79.2	10.74	91.0	11.87	93.8	13.01
	0	51.2	7.88	60.1	8.59	72.0	9.58	73.0	11.09	79.2	10.84	91.0	12.09	93.8	13.16
	2	51.2	7.99	60.1	8.70	72.0	9.79	73.0	11.19	79.2	10.97	91.0	12.28	93.8	13.38
	4	51.2	8.07	60.1	8.85	72.0	9.92	73.0	11.36	79.2	11.12	91.0	12.41	93.8	13.53
	6	51.2	8.24	60.1	8.97	72.0	10.09	73.0	11.60	79.2	11.29	91.0	12.60	93.8	13.74
	8	51.2	8.37	60.1	9.16	72.0	10.28	73.0	11.81	79.2	11.49	91.0	12.82	93.8	13.98
	10	51.2	8.54	60.1	9.33	72.0	10.44	73.0	11.99	79.2	11.71	91.0	13.05	93.8	14.18
	12	51.2	8.71	60.1	9.53	72.0	10.84	73.0	12.23	79.2	11.94	91.0	13.31	92.4	14.30
	14	51.2	8.89	60.1	9.74	72.0	11.34	73.0	13.01	79.2	12.17	91.0	13.59	91.4	14.48
	16	51.2	9.06	60.1	9.97	72.0	11.62	73.0	13.34	79.2	12.44	88.3	13.77	90.1	14.65
	18	51.2	9.23	60.1	10.17	72.0	12.06	73.0	13.86	79.2	12.70	87.2	14.26	89.1	15.02
	20	51.2	9.44	60.1	10.52	72.0	13.07	73.0	14.80	79.2	13.65	85.9	14.99	87.8	15.77
	21	51.2	9.52	60.1	10.95	72.0	14.00	73.0	15.71	79.2	14.14	85.4	15.36	87.2	16.15
	23	51.2	10.19	60.1	11.82	72.0	15.06	73.0	16.79	79.2	15.21	84.4	16.11	85.9	16.90
	25	51.2	10.91	60.1	12.74	72.0	16.25	73.0	17.63	79.2	16.34	83.1	16.87	84.9	17.65
	27	51.2	11.66	60.1	13.70	72.0	17.21	73.0	18.69	79.2	17.53	81.8	17.62	83.6	18.44
	29	51.2	12.48	60.1	14.71	72.0	18.50	73.0	19.24	78.9	18.66	80.7	19.04	82.5	19.19
	31	51.2	13.34	60.1	15.78	72.0	19.78	73.0	19.59	77.8	19.41	79.4	19.73	81.2	19.97
	33	51.2	14.24	60.1	16.91	72.0	20.73	73.0	20.15	76.5	20.16	78.4	20.45	80.2	20.75
	35	51.2	15.17	60.1	18.13	72.0	21.15	73.0	21.47	75.2	21.50	77.1	21.72	78.9	21.93
	37	51.2	16.18	60.1	19.40	72.0	21.30	72.1	22.45	74.5	22.77	76.0	23.05	77.6	23.36
	39	51.2	17.22	60.1	20.73	72.0	21.69	71.1	23.32	73.5	23.71	74.7	24.19	76.5	24.38
	41	51.2	17.87	60.1	21.54	72.0	22.01	70.2	24.16	72.5	24.65	72.0	24.88	75.5	25.15
43	51.2	18.51	60.1	21.96	72.0	22.74	70.0	25.30	71.4	25.71	72.4	26.14	72.7	26.34	
45	51.2	19.37	60.1	22.57	72.0	24.17	69.5	26.91	70.4	28.40	71.8	29.82	71.5	30.40	
48	51.2	22.33	60.1	24.05	72.0	25.77	68.7	28.99	69.4	30.70	70.2	32.42	70.5	34.14	
50	51.2	25.29	60.1	27.01	72.0	28.73	68.1	30.45	68.4	32.16	69.1	33.88	69.4	35.60	
52	51.2	28.26	60.1	29.97	72.0	31.69	67.5	33.41	67.4	35.13	68.0	36.84	68.3	38.56	
54	51.2	31.22	60.1	32.94	72.0	34.65	66.9	36.37	66.4	38.09	66.9	39.81	67.3	41.53	
75%	-5	37.0	4.51	44.3	4.66	51.3	5.41	55.0	6.25	59.7	6.72	67.8	7.73	72.9	8.85
	-2	37.0	4.57	44.3	4.71	51.3	5.49	55.0	6.28	59.7	6.80	67.8	7.81	72.9	8.94
	0	37.0	4.62	44.3	4.77	51.3	5.58	55.0	6.31	59.7	6.89	67.8	7.89	72.9	9.01
	2	37.0	4.69	44.3	4.83	51.3	5.64	55.0	6.49	59.7	7.00	67.8	8.06	72.9	9.14
	4	37.0	4.73	44.3	4.91	51.3	5.74	55.0	6.59	59.7	7.09	67.8	8.18	72.9	9.27
	6	37.0	4.83	44.3	5.01	51.3	5.85	55.0	6.71	59.7	7.21	67.8	8.31	72.9	9.43
	8	37.0	4.91	44.3	5.11	51.3	5.98	55.0	6.83	59.7	7.34	67.8	8.46	72.9	9.52
	10	37.0	5.01	44.3	5.23	51.3	6.10	55.0	6.95	59.7	7.51	67.8	8.57	72.9	9.67
	12	37.0	5.11	44.3	5.33	51.3	6.22	55.0	7.07	59.7	7.65	67.8	8.74	72.9	9.85
	14	37.0	5.21	44.3	5.43	51.3	6.33	55.0	7.30	59.7	7.78	67.8	8.90	72.9	10.03
	16	37.0	5.31	44.3	5.53	51.3	6.47	55.0	7.33	59.7	7.94	67.8	9.07	72.9	10.21
	18	37.0	5.41	44.3	5.65	51.3	6.59	55.0	7.35	59.7	8.10	67.8	9.25	72.9	10.53
	20	37.0	5.53	44.3	5.78	51.3	6.73	55.0	7.83	59.7	8.40	67.8	9.95	72.9	11.02
	21	37.0	5.58	44.3	5.82	51.3	6.85	55.0	8.38	59.7	8.70	67.8	10.31	72.9	11.28
	23	37.0	5.98	44.3	6.06	51.3	7.37	55.0	8.84	59.7	9.33	67.8	11.06	72.9	11.80
	25	37.0	6.40	44.3	6.50	51.3	7.90	55.0	9.49	59.7	9.97	67.8	11.84	72.9	12.31
	27	37.0	6.84	44.3	6.94	51.3	8.46	55.0	10.17	59.7	10.66	67.8	12.67	72.9	12.83
	29	37.0	7.32	44.3	7.41	51.3	9.05	55.0	10.64	59.7	11.40	67.8	13.25	72.9	13.34
	31	37.0	7.82	44.3	7.91	51.3	9.67	55.0	11.35	59.7	12.15	67.8	13.76	72.9	13.88
	33	37.0	8.35	44.3	8.43	51.3	10.35	55.0	12.04	59.7	12.97	67.8	14.30	72.9	14.40
	35	37.0	8.89	44.3	8.98	51.3	11.04	55.0	12.59	59.7	13.82	67.8	14.81	72.9	14.93
	37	37.0	9.49	44.3	9.56	51.3	11.78	55.0	13.16	59.7	14.73	67.8	15.33	72.9	15.45
	39	37.0	10.10	44.3	10.19	51.3	12.55	55.0	13.67	59.7	15.71	67.8	15.87	72.9	15.99
	41	37.0	10.48	44.3	10.67	51.3	13.02	55.0	14.17	59.7	15.78	67.8	16.27	72.9	16.36
43	37.0	10.85	44.3	11.14	51.3	13.49	55.0	14.84	59.7	16.12	67.8	16.48	72.9	16.62	
45	37.0	11.36	44.3	11.70	51.3	14.06	55.0	15.78	59.7	16.57	67.8	17.91	72.9	18.68	
48	37.0	13.09	44.3	14.35	51.3	15.61	55.0	16.87	59.7	18.13	67.8	19.39	72.9	20.65	
50	37.0	14.83	44.3	16.09	51.3	17.35	55.0	18.61	59.7	19.87	67.8	21.13	72.9	22.39	
52	37.0	16.57	44.3	17.83	51.3	19.09	55.0	20.35	59.7	21.61	67.8	22.86	72.9	24.12	
54	37.0	18.31	44.3	19.57	51.3	20.83	55.0	22.08	59.7	23.34	67.8	24.60	72.9	25.86	

Abbreviations:

TC: Total capacity (kW)

PI: Power input (compressor + outdoor fan motor) (kW)

Table continued on next page ...

Table 2-8.37: 26HP cooling part load performance (continued)

Part load	Outdoor air temp. (°CDB)	Indoor air temp. (°C DB/WD)													
		20.8/14		23.3/16		25.8/18		27/19		28.2/20		30.7/22		32/24	
		TC	PI	TC	PI	TC	PI	TC	PI	TC	PI	TC	PI	TC	PI
		kW	kW	kW	kW	kW	kW	kW	kW	kW	kW	kW	kW	kW	kW
50%	-5	24.8	2.52	29.6	2.75	34.5	3.03	36.9	3.88	40.0	4.23	45.6	4.70	48.9	5.39
	-2	24.8	2.56	29.6	2.79	34.5	3.07	36.9	3.93	40.0	4.30	45.6	4.77	48.9	5.43
	0	24.8	2.59	29.6	2.82	34.5	3.12	36.9	3.98	40.0	4.36	45.6	4.84	48.9	5.50
	2	24.8	2.62	29.6	2.86	34.5	3.16	36.9	4.06	40.0	4.42	45.6	4.94	48.9	5.57
	4	24.8	2.65	29.6	2.90	34.5	3.22	36.9	4.11	40.0	4.51	45.6	5.02	48.9	5.65
	6	24.8	2.71	29.6	2.95	34.5	3.28	36.9	4.20	40.0	4.60	45.6	5.12	48.9	5.78
	8	24.8	2.75	29.6	3.01	34.5	3.35	36.9	4.28	40.0	4.69	45.6	5.22	48.9	5.87
	10	24.8	2.80	29.6	3.06	34.5	3.41	36.9	4.40	40.0	4.77	45.6	5.32	48.9	5.86
	12	24.8	2.86	29.6	3.13	34.5	3.48	36.9	4.48	40.0	4.87	45.6	5.41	48.9	5.96
	14	24.8	2.92	29.6	3.20	34.5	3.55	36.9	4.56	40.0	4.95	45.6	5.51	48.9	6.06
	16	24.8	2.98	29.6	3.27	34.5	3.63	36.9	4.64	40.0	5.04	45.6	5.61	48.9	6.17
	18	24.8	3.03	29.6	3.34	34.5	3.69	36.9	4.71	40.0	5.14	45.6	5.71	48.9	6.29
	20	24.8	3.10	29.6	3.45	34.5	3.77	36.9	4.81	40.0	5.18	45.6	5.82	48.9	6.41
	21	24.8	3.13	29.6	3.60	34.5	3.84	36.9	5.16	40.0	5.28	45.6	5.88	48.9	6.54
	23	24.8	3.35	29.6	3.88	34.5	4.13	36.9	5.51	40.0	5.61	45.6	6.12	48.9	6.60
	25	24.8	3.58	29.6	4.19	34.5	4.43	36.9	5.81	40.0	5.98	45.6	6.52	48.9	7.03
	27	24.8	3.83	29.6	4.50	34.5	4.74	36.9	6.10	40.0	6.37	45.6	6.95	48.9	7.50
	29	24.8	4.10	29.6	4.83	34.5	5.07	36.9	6.36	40.0	6.78	45.6	7.42	48.9	8.00
	31	24.8	4.38	29.6	5.18	34.5	5.42	36.9	6.71	40.0	7.21	45.6	7.89	48.9	8.55
	33	24.8	4.68	29.6	5.55	34.5	5.79	36.9	6.99	40.0	7.65	45.6	8.39	48.9	9.10
	35	24.8	4.98	29.6	5.95	34.5	6.18	36.9	7.05	40.0	8.12	45.6	8.94	48.9	9.70
	37	24.8	5.31	29.6	6.37	34.5	6.59	36.9	7.37	40.0	8.63	45.6	9.51	48.9	10.32
	39	24.8	5.66	29.6	6.81	34.5	7.03	36.9	7.66	40.0	8.95	45.6	10.09	48.9	10.99
	41	24.8	5.87	29.6	7.07	34.5	7.29	36.9	7.93	40.0	9.26	45.6	10.56	48.9	11.69
43	24.8	6.08	29.6	7.21	34.5	7.56	36.9	8.31	40.0	9.72	45.6	11.01	48.9	12.22	
45	24.8	6.57	29.6	8.12	34.5	8.58	36.9	9.05	40.0	10.50	45.6	11.51	48.9	12.74	
48	24.8	7.55	29.6	8.46	34.5	9.38	36.9	10.29	40.0	11.21	45.6	12.13	48.9	13.04	
50	24.8	8.52	29.6	9.43	34.5	10.35	36.9	11.27	40.0	12.18	45.6	13.10	48.9	14.02	
52	24.8	9.49	29.6	10.41	34.5	11.32	36.9	12.24	40.0	13.16	45.6	14.07	48.9	14.99	
54	24.8	10.46	29.6	11.38	34.5	12.30	36.9	13.21	40.0	14.13	45.6	15.05	48.9	15.96	
25%	-5	12.4	1.37	14.8	1.49	17.2	1.65	18.4	2.26	19.9	2.34	22.6	2.67	24.4	2.87
	-2	12.4	1.39	14.8	1.51	17.2	1.67	18.4	2.32	19.9	2.39	22.6	2.70	24.4	2.91
	0	12.4	1.41	14.8	1.53	17.2	1.70	18.4	2.32	19.9	2.41	22.6	2.75	24.4	2.96
	2	12.4	1.43	14.8	1.55	17.2	1.72	18.4	2.33	19.9	2.46	22.6	2.76	24.4	3.02
	4	12.4	1.44	14.8	1.58	17.2	1.75	18.4	2.34	19.9	2.50	22.6	2.83	24.4	3.10
	6	12.4	1.47	14.8	1.60	17.2	1.78	18.4	2.36	19.9	2.55	22.6	2.87	24.4	3.19
	8	12.4	1.49	14.8	1.63	17.2	1.82	18.4	2.37	19.9	2.59	22.6	2.92	24.4	3.29
	10	12.4	1.52	14.8	1.66	17.2	1.85	18.4	2.34	19.9	2.66	22.6	2.99	24.4	3.34
	12	12.4	1.55	14.8	1.70	17.2	1.89	18.4	2.36	19.9	2.71	22.6	3.05	24.4	3.39
	14	12.4	1.59	14.8	1.74	17.2	1.93	18.4	2.37	19.9	2.75	22.6	3.10	24.4	3.46
	16	12.4	1.62	14.8	1.78	17.2	1.97	18.4	2.38	19.9	2.79	22.6	3.15	24.4	3.51
	18	12.4	1.65	14.8	1.81	17.2	2.01	18.4	2.39	19.9	2.85	22.6	3.21	24.4	3.58
	20	12.4	1.68	14.8	1.88	17.2	2.05	18.4	2.50	19.9	2.90	22.6	3.26	24.4	3.64
	21	12.4	1.70	14.8	1.95	17.2	2.08	18.4	2.63	19.9	2.93	22.6	3.30	24.4	3.68
	23	12.4	1.82	14.8	2.11	17.2	2.24	18.4	2.80	19.9	2.98	22.6	3.35	24.4	3.76
	25	12.4	1.95	14.8	2.27	17.2	2.40	18.4	2.98	19.9	3.07	22.6	3.52	24.4	4.02
	27	12.4	2.08	14.8	2.44	17.2	2.57	18.4	3.22	19.9	3.26	22.6	3.75	24.4	4.28
	29	12.4	2.23	14.8	2.62	17.2	2.75	18.4	3.31	19.9	3.47	22.6	3.99	24.4	4.56
	31	12.4	2.38	14.8	2.82	17.2	2.94	18.4	3.53	19.9	3.68	22.6	4.24	24.4	4.85
	33	12.4	2.54	14.8	3.02	17.2	3.15	18.4	3.72	19.9	3.91	22.6	4.51	24.4	5.16
	35	12.4	2.71	14.8	3.23	17.2	3.36	18.4	3.83	19.9	4.14	22.6	4.79	24.4	5.48
	37	12.4	2.89	14.8	3.46	17.2	3.58	18.4	4.00	19.9	4.39	22.6	5.08	24.4	5.83
	39	12.4	3.07	14.8	3.70	17.2	3.82	18.4	4.16	19.9	4.65	22.6	5.39	24.4	6.18
	41	12.4	3.19	14.8	3.84	17.2	3.96	18.4	4.31	19.9	4.86	22.6	5.67	24.4	6.47
43	12.4	3.30	14.8	3.92	17.2	4.11	18.4	4.59	19.9	4.98	22.6	5.96	24.4	6.76	
45	12.4	3.46	14.8	4.41	17.2	4.70	18.4	5.07	19.9	5.57	22.6	6.54	24.4	7.05	
48	12.4	4.06	14.8	4.63	17.2	5.21	18.4	5.78	19.9	6.36	22.6	6.93	24.4	7.51	
50	12.4	4.67	14.8	5.24	17.2	5.81	18.4	6.39	19.9	6.96	22.6	7.54	24.4	8.11	
52	12.4	5.27	14.8	5.85	17.2	6.42	18.4	6.99	19.9	7.57	22.6	8.14	24.4	8.72	
54	12.4	5.88	14.8	6.45	17.2	7.03	18.4	7.60	19.9	8.17	22.6	8.75	24.4	9.32	

Abbreviations:

TC: Total capacity (kW)

PI: Power input (compressor + outdoor fan motor) (kW)

Table 2-8.38: 28HP cooling part load performance

Part load	Outdoor air temp. (°CDB)	Indoor air temp. (°C DB/WD)													
		20.8/14		23.3/16		25.8/18		27/19		28.2/20		30.7/22		32/24	
		TC	PI	TC	PI	TC	PI	TC	PI	TC	PI	TC	PI	TC	PI
		kW	kW	kW	kW	kW	kW	kW	kW	kW	kW	kW	kW	kW	kW
100%	-5	55.1	8.92	64.7	9.72	77.4	10.72	78.5	12.58	85.1	12.29	97.8	13.61	100.8	15.00
	-2	55.1	9.05	64.7	9.84	77.4	10.93	78.5	12.68	85.1	12.46	97.8	13.78	100.8	15.10
	0	55.1	9.15	64.7	9.97	77.4	11.12	78.5	12.87	85.1	12.58	97.8	14.03	100.8	15.28
	2	55.1	9.28	64.7	10.09	77.4	11.37	78.5	12.99	85.1	12.73	97.8	14.25	100.8	15.53
	4	55.1	9.37	64.7	10.27	77.4	11.52	78.5	13.18	85.1	12.91	97.8	14.40	100.8	15.70
	6	55.1	9.57	64.7	10.42	77.4	11.71	78.5	13.46	85.1	13.11	97.8	14.63	100.8	15.95
	8	55.1	9.72	64.7	10.64	77.4	11.93	78.5	13.70	85.1	13.33	97.8	14.88	100.8	16.22
	10	55.1	9.91	64.7	10.83	77.4	12.12	78.5	13.92	85.1	13.59	97.8	15.14	100.8	16.46
	12	55.1	10.12	64.7	11.06	77.4	12.58	78.5	14.19	85.1	13.86	97.8	15.45	99.4	16.59
	14	55.1	10.32	64.7	11.30	77.4	13.17	78.5	15.10	85.1	14.13	97.8	15.78	98.3	16.80
	16	55.1	10.52	64.7	11.57	77.4	13.49	78.5	15.48	85.1	14.43	94.9	15.98	96.9	17.00
	18	55.1	10.72	64.7	11.80	77.4	14.00	78.5	16.09	85.1	14.74	93.8	16.55	95.8	17.44
	20	55.1	10.95	64.7	12.21	77.4	15.17	78.5	17.18	85.1	15.84	92.4	17.39	94.4	18.31
	21	55.1	11.05	64.7	12.71	77.4	16.25	78.5	18.23	85.1	16.41	91.8	17.83	93.8	18.74
	23	55.1	11.83	64.7	13.72	77.4	17.48	78.5	19.48	85.1	17.66	90.7	18.70	92.4	19.62
	25	55.1	12.67	64.7	14.79	77.4	18.86	78.5	20.46	85.1	18.97	89.3	19.58	91.3	20.49
	27	55.1	13.54	64.7	15.90	77.4	19.97	78.5	21.69	85.1	20.34	87.9	20.45	89.9	21.40
	29	55.1	14.48	64.7	17.08	77.4	21.48	78.5	22.33	84.8	21.65	86.8	22.10	88.8	22.27
	31	55.1	15.49	64.7	18.32	77.4	22.96	78.5	22.74	83.7	22.53	85.4	22.90	87.4	23.18
	33	55.1	16.53	64.7	19.63	77.4	24.06	78.5	23.38	82.3	23.40	84.3	23.74	86.2	24.09
	35	55.1	17.60	64.7	21.04	77.4	24.55	78.5	24.92	80.9	24.96	82.9	25.21	84.8	25.46
	37	55.1	18.78	64.7	22.52	77.4	24.73	77.5	26.05	80.1	26.43	81.7	26.76	83.4	27.11
	39	55.1	19.99	64.7	24.06	77.4	25.17	76.5	27.07	79.0	27.53	80.4	28.07	82.3	28.30
	41	55.1	20.74	64.7	25.00	77.4	25.55	75.5	28.04	77.9	28.61	77.4	28.88	81.1	29.19
43	55.1	21.48	64.7	25.49	77.4	26.40	75.3	29.37	76.8	29.84	77.9	30.35	78.2	30.58	
45	55.1	22.48	64.7	26.20	77.4	28.05	74.8	31.23	75.7	32.96	77.2	34.61	76.9	35.28	
48	55.1	25.92	64.7	27.91	77.4	29.91	73.9	33.64	74.6	35.64	75.5	37.63	75.8	39.63	
50	55.1	29.36	64.7	31.35	77.4	33.35	73.2	35.34	73.5	37.33	74.3	39.33	74.6	41.32	
52	55.1	32.80	64.7	34.79	77.4	36.78	72.6	38.78	72.4	40.77	73.1	42.77	73.5	44.76	
54	55.1	36.24	64.7	38.23	77.4	40.22	71.9	42.22	71.3	44.21	72.0	46.20	72.3	48.20	
75%	-5	39.8	5.23	47.6	5.41	55.2	6.28	59.1	7.25	64.2	7.80	72.9	8.97	78.4	10.27
	-2	39.8	5.30	47.6	5.47	55.2	6.37	59.1	7.29	64.2	7.90	72.9	9.06	78.4	10.38
	0	39.8	5.36	47.6	5.54	55.2	6.47	59.1	7.32	64.2	8.00	72.9	9.16	78.4	10.46
	2	39.8	5.44	47.6	5.61	55.2	6.55	59.1	7.53	64.2	8.12	72.9	9.35	78.4	10.61
	4	39.8	5.49	47.6	5.70	55.2	6.66	59.1	7.64	64.2	8.23	72.9	9.50	78.4	10.76
	6	39.8	5.61	47.6	5.82	55.2	6.80	59.1	7.79	64.2	8.37	72.9	9.65	78.4	10.95
	8	39.8	5.70	47.6	5.93	55.2	6.94	59.1	7.92	64.2	8.52	72.9	9.82	78.4	11.05
	10	39.8	5.81	47.6	6.07	55.2	7.08	59.1	8.06	64.2	8.71	72.9	9.95	78.4	11.22
	12	39.8	5.93	47.6	6.18	55.2	7.21	59.1	8.21	64.2	8.87	72.9	10.14	78.4	11.43
	14	39.8	6.05	47.6	6.30	55.2	7.35	59.1	8.48	64.2	9.04	72.9	10.33	78.4	11.64
	16	39.8	6.17	47.6	6.42	55.2	7.51	59.1	8.51	64.2	9.22	72.9	10.53	78.4	11.85
	18	39.8	6.29	47.6	6.55	55.2	7.65	59.1	8.53	64.2	9.40	72.9	10.74	78.4	12.22
	20	39.8	6.42	47.6	6.71	55.2	7.81	59.1	9.09	64.2	9.75	72.9	11.55	78.4	12.79
	21	39.8	6.48	47.6	6.76	55.2	7.95	59.1	9.73	64.2	10.10	72.9	11.96	78.4	13.09
	23	39.8	6.94	47.6	7.04	55.2	8.55	59.1	10.26	64.2	10.83	72.9	12.84	78.4	13.69
	25	39.8	7.43	47.6	7.54	55.2	9.17	59.1	11.02	64.2	11.57	72.9	13.74	78.4	14.29
	27	39.8	7.94	47.6	8.05	55.2	9.82	59.1	11.81	64.2	12.38	72.9	14.71	78.4	14.89
	29	39.8	8.49	47.6	8.60	55.2	10.51	59.1	12.36	64.2	13.23	72.9	15.37	78.4	15.49
	31	39.8	9.08	47.6	9.18	55.2	11.22	59.1	13.18	64.2	14.11	72.9	15.97	78.4	16.11
	33	39.8	9.69	47.6	9.78	55.2	12.01	59.1	13.97	64.2	15.05	72.9	16.59	78.4	16.71
	35	39.8	10.32	47.6	10.42	55.2	12.81	59.1	14.61	64.2	16.04	72.9	17.20	78.4	17.33
	37	39.8	11.01	47.6	11.09	55.2	13.67	59.1	15.28	64.2	17.10	72.9	17.79	78.4	17.93
	39	39.8	11.72	47.6	11.83	55.2	14.57	59.1	15.87	64.2	18.24	72.9	18.42	78.4	18.55
	41	39.8	12.16	47.6	12.38	55.2	15.11	59.1	16.44	64.2	18.32	72.9	18.88	78.4	18.99
43	39.8	12.60	47.6	12.93	55.2	15.66	59.1	17.22	64.2	18.71	72.9	19.13	78.4	19.29	
45	39.8	13.18	47.6	13.59	55.2	16.32	59.1	18.31	64.2	19.23	72.9	20.79	78.4	21.68	
48	39.8	15.20	47.6	16.66	55.2	18.12	59.1	19.58	64.2	21.04	72.9	22.51	78.4	23.97	
50	39.8	17.22	47.6	18.68	55.2	20.14	59.1	21.60	64.2	23.06	72.9	24.52	78.4	25.98	
52	39.8	19.23	47.6	20.69	55.2	22.15	59.1	23.62	64.2	25.08	72.9	26.54	78.4	28.00	
54	39.8	21.25	47.6	22.71	55.2	24.17	59.1	25.63	64.2	27.09	72.9	28.56	78.4	30.02	

Abbreviations:

TC: Total capacity (kW)

PI: Power input (compressor + outdoor fan motor) (kW)

Table continued on next page ...

Table 2-8.38: 28HP cooling part load performance (continued)

Part load	Outdoor air temp. (°CDB)	Indoor air temp. (°C DB/WD)													
		20.8/14		23.3/16		25.8/18		27/19		28.2/20		30.7/22		32/24	
		TC	PI	TC	PI	TC	PI	TC	PI	TC	PI	TC	PI	TC	PI
		kW	kW	kW	kW	kW	kW	kW	kW	kW	kW	kW	kW	kW	kW
50%	-5	26.7	2.93	31.9	3.19	37.0	3.52	39.6	4.50	43.0	4.91	49.0	5.46	52.6	6.26
	-2	26.7	2.97	31.9	3.23	37.0	3.57	39.6	4.57	43.0	4.99	49.0	5.54	52.6	6.30
	0	26.7	3.00	31.9	3.27	37.0	3.63	39.6	4.62	43.0	5.06	49.0	5.62	52.6	6.38
	2	26.7	3.05	31.9	3.31	37.0	3.67	39.6	4.71	43.0	5.13	49.0	5.74	52.6	6.47
	4	26.7	3.08	31.9	3.37	37.0	3.73	39.6	4.77	43.0	5.24	49.0	5.83	52.6	6.56
	6	26.7	3.14	31.9	3.42	37.0	3.81	39.6	4.88	43.0	5.34	49.0	5.94	52.6	6.71
	8	26.7	3.19	31.9	3.49	37.0	3.89	39.6	4.97	43.0	5.45	49.0	6.06	52.6	6.82
	10	26.7	3.26	31.9	3.56	37.0	3.96	39.6	5.11	43.0	5.54	49.0	6.17	52.6	6.80
	12	26.7	3.32	31.9	3.63	37.0	4.04	39.6	5.20	43.0	5.65	49.0	6.29	52.6	6.92
	14	26.7	3.39	31.9	3.71	37.0	4.12	39.6	5.29	43.0	5.74	49.0	6.40	52.6	7.03
	16	26.7	3.45	31.9	3.80	37.0	4.21	39.6	5.38	43.0	5.86	49.0	6.51	52.6	7.17
	18	26.7	3.52	31.9	3.88	37.0	4.28	39.6	5.47	43.0	5.97	49.0	6.62	52.6	7.30
	20	26.7	3.60	31.9	4.01	37.0	4.38	39.6	5.58	43.0	6.01	49.0	6.76	52.6	7.44
	21	26.7	3.63	31.9	4.17	37.0	4.45	39.6	5.99	43.0	6.13	49.0	6.83	52.6	7.60
	23	26.7	3.88	31.9	4.51	37.0	4.79	39.6	6.39	43.0	6.51	49.0	7.10	52.6	7.66
	25	26.7	4.16	31.9	4.86	37.0	5.14	39.6	6.75	43.0	6.94	49.0	7.57	52.6	8.16
	27	26.7	4.45	31.9	5.22	37.0	5.50	39.6	7.08	43.0	7.39	49.0	8.07	52.6	8.70
	29	26.7	4.76	31.9	5.61	37.0	5.89	39.6	7.38	43.0	7.87	49.0	8.61	52.6	9.29
	31	26.7	5.09	31.9	6.02	37.0	6.29	39.6	7.79	43.0	8.36	49.0	9.16	52.6	9.92
	33	26.7	5.43	31.9	6.45	37.0	6.72	39.6	8.12	43.0	8.88	49.0	9.74	52.6	10.56
	35	26.7	5.78	31.9	6.91	37.0	7.18	39.6	8.18	43.0	9.43	49.0	10.38	52.6	11.26
	37	26.7	6.17	31.9	7.39	37.0	7.65	39.6	8.56	43.0	10.02	49.0	11.03	52.6	11.98
	39	26.7	6.56	31.9	7.90	37.0	8.16	39.6	8.89	43.0	10.38	49.0	11.71	52.6	12.75
	41	26.7	6.81	31.9	8.21	37.0	8.46	39.6	9.21	43.0	10.75	49.0	12.26	52.6	13.56
43	26.7	7.06	31.9	8.37	37.0	8.77	39.6	9.64	43.0	11.28	49.0	12.78	52.6	14.18	
45	26.7	7.63	31.9	9.42	37.0	9.96	39.6	10.50	43.0	12.19	49.0	13.36	52.6	14.79	
48	26.7	8.76	31.9	9.82	37.0	10.89	39.6	11.95	43.0	13.01	49.0	14.08	52.6	15.14	
50	26.7	9.89	31.9	10.95	37.0	12.01	39.6	13.08	43.0	14.14	49.0	15.21	52.6	16.27	
52	26.7	11.02	31.9	12.08	37.0	13.14	39.6	14.21	43.0	15.27	49.0	16.34	52.6	17.40	
54	26.7	12.15	31.9	13.21	37.0	14.27	39.6	15.34	43.0	16.40	49.0	17.46	52.6	18.53	
25%	-5	13.3	1.59	15.9	1.73	18.5	1.91	19.7	2.62	21.4	2.72	24.3	3.09	26.2	3.33
	-2	13.3	1.61	15.9	1.76	18.5	1.94	19.7	2.69	21.4	2.77	24.3	3.13	26.2	3.38
	0	13.3	1.63	15.9	1.78	18.5	1.97	19.7	2.70	21.4	2.80	24.3	3.19	26.2	3.44
	2	13.3	1.66	15.9	1.80	18.5	1.99	19.7	2.71	21.4	2.85	24.3	3.20	26.2	3.50
	4	13.3	1.67	15.9	1.83	18.5	2.03	19.7	2.71	21.4	2.91	24.3	3.28	26.2	3.59
	6	13.3	1.71	15.9	1.86	18.5	2.07	19.7	2.74	21.4	2.96	24.3	3.33	26.2	3.70
	8	13.3	1.73	15.9	1.90	18.5	2.11	19.7	2.75	21.4	3.00	24.3	3.38	26.2	3.82
	10	13.3	1.77	15.9	1.93	18.5	2.15	19.7	2.72	21.4	3.09	24.3	3.47	26.2	3.87
	12	13.3	1.80	15.9	1.97	18.5	2.19	19.7	2.74	21.4	3.15	24.3	3.53	26.2	3.94
	14	13.3	1.84	15.9	2.02	18.5	2.24	19.7	2.75	21.4	3.20	24.3	3.60	26.2	4.01
	16	13.3	1.88	15.9	2.06	18.5	2.29	19.7	2.76	21.4	3.24	24.3	3.66	26.2	4.08
	18	13.3	1.91	15.9	2.11	18.5	2.33	19.7	2.77	21.4	3.30	24.3	3.72	26.2	4.15
	20	13.3	1.95	15.9	2.18	18.5	2.38	19.7	2.90	21.4	3.36	24.3	3.78	26.2	4.23
	21	13.3	1.97	15.9	2.27	18.5	2.42	19.7	3.05	21.4	3.40	24.3	3.83	26.2	4.28
	23	13.3	2.11	15.9	2.45	18.5	2.60	19.7	3.25	21.4	3.46	24.3	3.89	26.2	4.37
	25	13.3	2.26	15.9	2.64	18.5	2.79	19.7	3.46	21.4	3.57	24.3	4.09	26.2	4.66
	27	13.3	2.42	15.9	2.84	18.5	2.99	19.7	3.73	21.4	3.78	24.3	4.35	26.2	4.97
	29	13.3	2.58	15.9	3.05	18.5	3.20	19.7	3.84	21.4	4.03	24.3	4.63	26.2	5.29
	31	13.3	2.76	15.9	3.27	18.5	3.41	19.7	4.10	21.4	4.28	24.3	4.92	26.2	5.63
	33	13.3	2.95	15.9	3.50	18.5	3.65	19.7	4.32	21.4	4.54	24.3	5.23	26.2	5.99
	35	13.3	3.14	15.9	3.75	18.5	3.90	19.7	4.45	21.4	4.80	24.3	5.56	26.2	6.36
	37	13.3	3.35	15.9	4.02	18.5	4.16	19.7	4.65	21.4	5.09	24.3	5.90	26.2	6.76
	39	13.3	3.57	15.9	4.29	18.5	4.43	19.7	4.83	21.4	5.40	24.3	6.25	26.2	7.18
	41	13.3	3.70	15.9	4.46	18.5	4.60	19.7	5.00	21.4	5.64	24.3	6.59	26.2	7.51
43	13.3	3.83	15.9	4.55	18.5	4.76	19.7	5.33	21.4	5.78	24.3	6.92	26.2	7.84	
45	13.3	4.01	15.9	5.12	18.5	5.45	19.7	5.88	21.4	6.46	24.3	7.59	26.2	8.18	
48	13.3	4.71	15.9	5.38	18.5	6.05	19.7	6.71	21.4	7.38	24.3	8.05	26.2	8.71	
50	13.3	5.42	15.9	6.08	18.5	6.75	19.7	7.42	21.4	8.08	24.3	8.75	26.2	9.42	
52	13.3	6.12	15.9	6.78	18.5	7.45	19.7	8.12	21.4	8.79	24.3	9.45	26.2	10.12	
54	13.3	6.82	15.9	7.49	18.5	8.15	19.7	8.82	21.4	9.49	24.3	10.15	26.2	10.82	

Abbreviations:

TC: Total capacity (kW)

PI: Power input (compressor + outdoor fan motor) (kW)

# V6-i VRF 50/60Hz



Table 2-8.39: 30HP cooling part load performance

Part load	Outdoor air temp. (°CDB)	Indoor air temp. (°C DB/WD)													
		20.8/14		23.3/16		25.8/18		27/19		28.2/20		30.7/22		32/24	
		TC kW	PI kW	TC kW	PI kW	TC kW	PI kW	TC kW	PI kW	TC kW	PI kW	TC kW	PI kW	TC kW	PI kW
100%	-5	59.6	10.14	70.0	11.05	83.8	12.18	85.0	14.30	92.2	13.97	105.9	15.47	109.2	17.05
	-2	59.6	10.28	70.0	11.19	83.8	12.43	85.0	14.41	92.2	14.17	105.9	15.67	109.2	17.17
	0	59.6	10.40	70.0	11.33	83.8	12.64	85.0	14.63	92.2	14.31	105.9	15.95	109.2	17.37
	2	59.6	10.55	70.0	11.47	83.8	12.92	85.0	14.77	92.2	14.48	105.9	16.20	109.2	17.65
	4	59.6	10.65	70.0	11.67	83.8	13.09	85.0	14.98	92.2	14.67	105.9	16.37	109.2	17.85
	6	59.6	10.88	70.0	11.84	83.8	13.32	85.0	15.30	92.2	14.90	105.9	16.63	109.2	18.13
	8	59.6	11.05	70.0	12.09	83.8	13.56	85.0	15.58	92.2	15.16	105.9	16.91	109.2	18.44
	10	59.6	11.27	70.0	12.31	83.8	13.78	85.0	15.82	92.2	15.45	105.9	17.22	109.2	18.71
	12	59.6	11.50	70.0	12.58	83.8	14.30	85.0	16.14	92.2	15.76	105.9	17.56	107.6	18.86
	14	59.6	11.73	70.0	12.85	83.8	14.97	85.0	17.16	92.2	16.06	105.9	17.94	106.4	19.10
	16	59.6	11.96	70.0	13.15	83.8	15.33	85.0	17.60	92.2	16.41	102.8	18.17	104.9	19.33
	18	59.6	12.18	70.0	13.42	83.8	15.92	85.0	18.29	92.2	16.75	101.6	18.82	103.7	19.82
	20	59.6	12.45	70.0	13.88	83.8	17.25	85.0	19.53	92.2	18.01	100.1	19.77	102.2	20.81
	21	59.6	12.57	70.0	14.45	83.8	18.47	85.0	20.72	92.2	18.66	99.5	20.27	101.6	21.31
	23	59.6	13.45	70.0	15.60	83.8	19.87	85.0	22.15	92.2	20.07	98.2	21.26	100.1	22.30
	25	59.6	14.40	70.0	16.82	83.8	21.44	85.0	23.26	92.2	21.56	96.7	22.26	98.8	23.30
	27	59.6	15.39	70.0	18.08	83.8	22.71	85.0	24.66	92.2	23.13	95.2	23.25	97.3	24.33
	29	59.6	16.46	70.0	19.41	83.8	24.41	85.0	25.39	91.9	24.62	94.0	25.13	96.1	25.32
	31	59.6	17.61	70.0	20.83	83.8	26.11	85.0	25.85	90.6	25.61	92.5	26.03	94.6	26.35
	33	59.6	18.79	70.0	22.32	83.8	27.35	85.0	26.58	89.1	26.60	91.3	26.99	93.4	27.38
	35	59.6	20.01	70.0	23.92	83.8	27.91	85.0	28.33	87.6	28.38	89.7	28.66	91.9	28.94
	37	59.6	21.35	70.0	25.60	83.8	28.11	83.9	29.62	86.7	30.04	88.5	30.42	90.3	30.82
	39	59.6	22.72	70.0	27.36	83.8	28.62	82.8	30.77	85.5	31.29	87.0	31.91	89.1	32.17
	41	59.6	23.57	70.0	28.42	83.8	29.04	81.8	31.87	84.4	32.53	83.8	32.84	87.9	33.18
43	59.6	24.42	70.0	28.98	83.8	30.01	81.5	33.39	83.2	33.92	84.3	34.50	84.6	34.76	
45	59.6	25.56	70.0	29.78	83.8	31.89	81.0	35.51	82.0	37.47	83.6	39.35	83.3	40.11	
48	59.6	29.47	70.0	31.73	83.8	34.00	80.0	38.25	80.8	40.51	81.7	42.78	82.0	45.05	
50	59.6	33.38	70.0	35.64	83.8	37.91	79.3	40.17	79.6	42.44	80.4	44.71	80.8	46.97	
52	59.6	37.29	70.0	39.55	83.8	41.82	78.6	44.08	78.4	46.35	79.2	48.62	79.6	50.88	
54	59.6	41.19	70.0	43.46	83.8	45.73	77.8	47.99	77.3	50.26	77.9	52.53	78.3	54.79	
75%	-5	43.1	5.95	51.6	6.15	59.8	7.14	64.0	8.24	69.5	8.87	79.0	10.20	84.9	11.68
	-2	43.1	6.03	51.6	6.21	59.8	7.24	64.0	8.29	69.5	8.98	79.0	10.30	84.9	11.80
	0	43.1	6.10	51.6	6.30	59.8	7.36	64.0	8.33	69.5	9.09	79.0	10.42	84.9	11.89
	2	43.1	6.18	51.6	6.38	59.8	7.44	64.0	8.56	69.5	9.24	79.0	10.63	84.9	12.06
	4	43.1	6.25	51.6	6.48	59.8	7.58	64.0	8.69	69.5	9.35	79.0	10.80	84.9	12.24
	6	43.1	6.38	51.6	6.61	59.8	7.72	64.0	8.86	69.5	9.52	79.0	10.97	84.9	12.44
	8	43.1	6.48	51.6	6.74	59.8	7.89	64.0	9.01	69.5	9.68	79.0	11.17	84.9	12.56
	10	43.1	6.61	51.6	6.90	59.8	8.04	64.0	9.17	69.5	9.90	79.0	11.31	84.9	12.76
	12	43.1	6.74	51.6	7.03	59.8	8.20	64.0	9.33	69.5	10.09	79.0	11.53	84.9	13.00
	14	43.1	6.88	51.6	7.16	59.8	8.36	64.0	9.64	69.5	10.27	79.0	11.74	84.9	13.23
	16	43.1	7.01	51.6	7.29	59.8	8.54	64.0	9.67	69.5	10.48	79.0	11.97	84.9	13.47
	18	43.1	7.15	51.6	7.45	59.8	8.70	64.0	9.70	69.5	10.69	79.0	12.21	84.9	13.89
	20	43.1	7.30	51.6	7.63	59.8	8.88	64.0	10.33	69.5	11.08	79.0	13.13	84.9	14.54
	21	43.1	7.37	51.6	7.69	59.8	9.04	64.0	11.06	69.5	11.48	79.0	13.60	84.9	14.88
	23	43.1	7.88	51.6	8.00	59.8	9.72	64.0	11.67	69.5	12.32	79.0	14.59	84.9	15.56
	25	43.1	8.44	51.6	8.58	59.8	10.43	64.0	12.53	69.5	13.15	79.0	15.62	84.9	16.25
	27	43.1	9.03	51.6	9.15	59.8	11.16	64.0	13.42	69.5	14.07	79.0	16.72	84.9	16.93
	29	43.1	9.65	51.6	9.78	59.8	11.95	64.0	14.05	69.5	15.04	79.0	17.48	84.9	17.61
	31	43.1	10.32	51.6	10.44	59.8	12.76	64.0	14.98	69.5	16.04	79.0	18.16	84.9	18.32
	33	43.1	11.02	51.6	11.12	59.8	13.65	64.0	15.88	69.5	17.11	79.0	18.87	84.9	19.00
	35	43.1	11.74	51.6	11.85	59.8	14.57	64.0	16.61	69.5	18.24	79.0	19.55	84.9	19.70
	37	43.1	12.52	51.6	12.61	59.8	15.54	64.0	17.37	69.5	19.44	79.0	20.23	84.9	20.39
	39	43.1	13.33	51.6	13.45	59.8	16.56	64.0	18.04	69.5	20.73	79.0	20.94	84.9	21.09
	41	43.1	13.82	51.6	14.07	59.8	17.18	64.0	18.69	69.5	20.83	79.0	21.47	84.9	21.59
43	43.1	14.32	51.6	14.70	59.8	17.81	64.0	19.58	69.5	21.27	79.0	21.75	84.9	21.93	
45	43.1	14.99	51.6	15.44	59.8	18.55	64.0	20.82	69.5	21.86	79.0	23.64	84.9	24.65	
48	43.1	17.28	51.6	18.94	59.8	20.60	64.0	22.26	69.5	23.92	79.0	25.59	84.9	27.25	
50	43.1	19.57	51.6	21.23	59.8	22.89	64.0	24.56	69.5	26.22	79.0	27.88	84.9	29.54	
52	43.1	21.86	51.6	23.53	59.8	25.19	64.0	26.85	69.5	28.51	79.0	30.17	84.9	31.83	
54	43.1	24.16	51.6	25.82	59.8	27.48	64.0	29.14	69.5	30.80	79.0	32.46	84.9	34.12	

Abbreviations:

TC: Total capacity (kW)

PI: Power input (compressor + outdoor fan motor) (kW)

Table continued on next page ...

Table 2-8.39: 30HP cooling part load performance (continued)

Part load	Outdoor air temp. (°CDB)	Indoor air temp. (°C DB/WD)													
		20.8/14		23.3/16		25.8/18		27/19		28.2/20		30.7/22		32/24	
		TC	PI	TC	PI	TC	PI	TC	PI	TC	PI	TC	PI	TC	PI
		kW	kW	kW	kW	kW	kW	kW	kW	kW	kW	kW	kW	kW	kW
50%	-5	28.9	3.33	34.5	3.63	40.1	4.00	42.9	5.12	46.6	5.58	53.1	6.21	57.0	7.12
	-2	28.9	3.38	34.5	3.67	40.1	4.06	42.9	5.19	46.6	5.68	53.1	6.30	57.0	7.16
	0	28.9	3.41	34.5	3.72	40.1	4.12	42.9	5.26	46.6	5.75	53.1	6.39	57.0	7.26
	2	28.9	3.46	34.5	3.77	40.1	4.17	42.9	5.36	46.6	5.84	53.1	6.52	57.0	7.35
	4	28.9	3.50	34.5	3.83	40.1	4.24	42.9	5.42	46.6	5.95	53.1	6.62	57.0	7.45
	6	28.9	3.57	34.5	3.89	40.1	4.33	42.9	5.54	46.6	6.08	53.1	6.76	57.0	7.63
	8	28.9	3.63	34.5	3.97	40.1	4.42	42.9	5.65	46.6	6.19	53.1	6.88	57.0	7.75
	10	28.9	3.70	34.5	4.04	40.1	4.50	42.9	5.81	46.6	6.30	53.1	7.02	57.0	7.74
	12	28.9	3.78	34.5	4.13	40.1	4.59	42.9	5.91	46.6	6.43	53.1	7.15	57.0	7.86
	14	28.9	3.85	34.5	4.22	40.1	4.68	42.9	6.01	46.6	6.53	53.1	7.27	57.0	7.99
	16	28.9	3.93	34.5	4.32	40.1	4.78	42.9	6.12	46.6	6.66	53.1	7.40	57.0	8.15
	18	28.9	4.00	34.5	4.41	40.1	4.87	42.9	6.22	46.6	6.79	53.1	7.53	57.0	8.30
	20	28.9	4.09	34.5	4.56	40.1	4.97	42.9	6.35	46.6	6.84	53.1	7.68	57.0	8.46
	21	28.9	4.13	34.5	4.75	40.1	5.06	42.9	6.81	46.6	6.96	53.1	7.76	57.0	8.64
	23	28.9	4.42	34.5	5.12	40.1	5.44	42.9	7.27	46.6	7.40	53.1	8.07	57.0	8.71
	25	28.9	4.73	34.5	5.52	40.1	5.84	42.9	7.67	46.6	7.89	53.1	8.61	57.0	9.28
	27	28.9	5.05	34.5	5.94	40.1	6.25	42.9	8.05	46.6	8.40	53.1	9.18	57.0	9.89
	29	28.9	5.41	34.5	6.38	40.1	6.69	42.9	8.39	46.6	8.94	53.1	9.79	57.0	10.56
	31	28.9	5.78	34.5	6.84	40.1	7.15	42.9	8.85	46.6	9.51	53.1	10.41	57.0	11.28
	33	28.9	6.17	34.5	7.33	40.1	7.64	42.9	9.23	46.6	10.10	53.1	11.08	57.0	12.00
	35	28.9	6.57	34.5	7.86	40.1	8.16	42.9	9.30	46.6	10.72	53.1	11.80	57.0	12.80
	37	28.9	7.01	34.5	8.41	40.1	8.70	42.9	9.73	46.6	11.39	53.1	12.54	57.0	13.62
	39	28.9	7.46	34.5	8.98	40.1	9.27	42.9	10.10	46.6	11.80	53.1	13.31	57.0	14.49
	41	28.9	7.74	34.5	9.33	40.1	9.62	42.9	10.47	46.6	12.22	53.1	13.94	57.0	15.42
43	28.9	8.02	34.5	9.52	40.1	9.97	42.9	10.96	46.6	12.82	53.1	14.53	57.0	16.12	
45	28.9	8.67	34.5	10.71	40.1	11.32	42.9	11.94	46.6	13.86	53.1	15.18	57.0	16.82	
48	28.9	9.96	34.5	11.17	40.1	12.37	42.9	13.58	46.6	14.79	53.1	16.00	57.0	17.21	
50	28.9	11.24	34.5	12.45	40.1	13.66	42.9	14.87	46.6	16.08	53.1	17.29	57.0	18.50	
52	28.9	12.52	34.5	13.73	40.1	14.94	42.9	16.15	46.6	17.36	53.1	18.57	57.0	19.78	
54	28.9	13.81	34.5	15.02	40.1	16.23	42.9	17.44	46.6	18.65	53.1	19.85	57.0	21.06	
25%	-5	14.4	1.81	17.3	1.97	20.0	2.17	21.4	2.98	23.2	3.09	26.4	3.52	28.4	3.79
	-2	14.4	1.83	17.3	2.00	20.0	2.20	21.4	3.05	23.2	3.15	26.4	3.56	28.4	3.84
	0	14.4	1.85	17.3	2.02	20.0	2.24	21.4	3.07	23.2	3.18	26.4	3.62	28.4	3.91
	2	14.4	1.88	17.3	2.05	20.0	2.26	21.4	3.08	23.2	3.24	26.4	3.64	28.4	3.98
	4	14.4	1.90	17.3	2.08	20.0	2.30	21.4	3.09	23.2	3.31	26.4	3.73	28.4	4.08
	6	14.4	1.94	17.3	2.11	20.0	2.35	21.4	3.11	23.2	3.37	26.4	3.79	28.4	4.20
	8	14.4	1.97	17.3	2.16	20.0	2.40	21.4	3.12	23.2	3.41	26.4	3.85	28.4	4.34
	10	14.4	2.01	17.3	2.20	20.0	2.45	21.4	3.09	23.2	3.51	26.4	3.95	28.4	4.40
	12	14.4	2.05	17.3	2.24	20.0	2.50	21.4	3.11	23.2	3.58	26.4	4.02	28.4	4.47
	14	14.4	2.09	17.3	2.29	20.0	2.54	21.4	3.13	23.2	3.63	26.4	4.09	28.4	4.56
	16	14.4	2.13	17.3	2.35	20.0	2.60	21.4	3.13	23.2	3.69	26.4	4.16	28.4	4.63
	18	14.4	2.17	17.3	2.39	20.0	2.65	21.4	3.15	23.2	3.76	26.4	4.23	28.4	4.72
	20	14.4	2.22	17.3	2.48	20.0	2.70	21.4	3.30	23.2	3.83	26.4	4.30	28.4	4.81
	21	14.4	2.24	17.3	2.58	20.0	2.75	21.4	3.46	23.2	3.86	26.4	4.35	28.4	4.86
	23	14.4	2.40	17.3	2.78	20.0	2.96	21.4	3.70	23.2	3.93	26.4	4.42	28.4	4.97
	25	14.4	2.57	17.3	3.00	20.0	3.17	21.4	3.93	23.2	4.05	26.4	4.65	28.4	5.30
	27	14.4	2.75	17.3	3.23	20.0	3.40	21.4	4.24	23.2	4.30	26.4	4.95	28.4	5.65
	29	14.4	2.94	17.3	3.46	20.0	3.63	21.4	4.37	23.2	4.58	26.4	5.26	28.4	6.02
	31	14.4	3.14	17.3	3.72	20.0	3.88	21.4	4.66	23.2	4.86	26.4	5.60	28.4	6.41
	33	14.4	3.35	17.3	3.98	20.0	4.15	21.4	4.91	23.2	5.16	26.4	5.95	28.4	6.81
	35	14.4	3.57	17.3	4.27	20.0	4.43	21.4	5.05	23.2	5.46	26.4	6.32	28.4	7.23
	37	14.4	3.81	17.3	4.57	20.0	4.73	21.4	5.28	23.2	5.79	26.4	6.70	28.4	7.69
	39	14.4	4.05	17.3	4.88	20.0	5.04	21.4	5.49	23.2	6.14	26.4	7.11	28.4	8.16
	41	14.4	4.21	17.3	5.07	20.0	5.23	21.4	5.69	23.2	6.41	26.4	7.49	28.4	8.54
43	14.4	4.36	17.3	5.17	20.0	5.42	21.4	6.06	23.2	6.57	26.4	7.87	28.4	8.92	
45	14.4	4.56	17.3	5.82	20.0	6.20	21.4	6.69	23.2	7.34	26.4	8.62	28.4	9.30	
48	14.4	5.36	17.3	6.12	20.0	6.87	21.4	7.63	23.2	8.39	26.4	9.15	28.4	9.91	
50	14.4	6.16	17.3	6.91	20.0	7.67	21.4	8.43	23.2	9.19	26.4	9.95	28.4	10.71	
52	14.4	6.95	17.3	7.71	20.0	8.47	21.4	9.23	23.2	9.99	26.4	10.75	28.4	11.50	
54	14.4	7.75	17.3	8.51	20.0	9.27	21.4	10.03	23.2	10.79	26.4	11.54	28.4	12.30	

Abbreviations:

TC: Total capacity (kW)

PI: Power input (compressor + outdoor fan motor) (kW)



Table 2-8.40: 32HP cooling part load performance

Part load	Outdoor air temp. (°CDB)	Indoor air temp. (°C DB/WD)													
		20.8/14		23.3/16		25.8/18		27/19		28.2/20		30.7/22		32/24	
		TC	PI	TC	PI	TC	PI	TC	PI	TC	PI	TC	PI	TC	PI
		kW	kW	kW	kW	kW	kW	kW	kW	kW	kW	kW	kW	kW	kW
100%	-5	63.1	11.51	74.1	12.53	88.7	13.82	90.0	16.22	97.6	15.85	112.2	17.55	115.6	19.35
	-2	63.1	11.67	74.1	12.70	88.7	14.10	90.0	16.35	97.6	16.07	112.2	17.77	115.6	19.48
	0	63.1	11.80	74.1	12.86	88.7	14.34	90.0	16.60	97.6	16.23	112.2	18.09	115.6	19.70
	2	63.1	11.97	74.1	13.02	88.7	14.66	90.0	16.75	97.6	16.42	112.2	18.38	115.6	20.02
	4	63.1	12.08	74.1	13.24	88.7	14.85	90.0	17.00	97.6	16.65	112.2	18.58	115.6	20.25
	6	63.1	12.34	74.1	13.43	88.7	15.11	90.0	17.36	97.6	16.91	112.2	18.87	115.6	20.57
	8	63.1	12.53	74.1	13.72	88.7	15.39	90.0	17.67	97.6	17.19	112.2	19.19	115.6	20.92
	10	63.1	12.79	74.1	13.97	88.7	15.63	90.0	17.95	97.6	17.53	112.2	19.53	115.6	21.23
	12	63.1	13.05	74.1	14.27	88.7	16.22	90.0	18.31	97.6	17.88	112.2	19.92	114.0	21.40
	14	63.1	13.31	74.1	14.58	88.7	16.98	90.0	19.47	97.6	18.22	112.2	20.35	112.7	21.67
	16	63.1	13.56	74.1	14.92	88.7	17.39	90.0	19.96	97.6	18.62	108.8	20.61	111.1	21.93
	18	63.1	13.82	74.1	15.22	88.7	18.06	90.0	20.75	97.6	19.00	107.6	21.35	109.8	22.49
	20	63.1	14.13	74.1	15.75	88.7	19.57	90.0	22.16	97.6	20.43	105.9	22.43	108.2	23.61
	21	63.1	14.26	74.1	16.39	88.7	20.96	90.0	23.51	97.6	21.17	105.3	23.00	107.6	24.18
	23	63.1	15.25	74.1	17.69	88.7	22.55	90.0	25.13	97.6	22.77	104.0	24.12	105.9	25.30
	25	63.1	16.34	74.1	19.08	88.7	24.33	90.0	26.39	97.6	24.46	102.4	25.25	104.7	26.43
	27	63.1	17.46	74.1	20.51	88.7	25.76	90.0	27.97	97.6	26.24	100.8	26.37	103.1	27.60
	29	63.1	18.68	74.1	22.03	88.7	27.70	90.0	28.80	97.3	27.93	99.5	28.51	101.8	28.72
	31	63.1	19.98	74.1	23.63	88.7	29.62	90.0	29.33	96.0	29.05	97.9	29.53	100.2	29.89
	33	63.1	21.32	74.1	25.32	88.7	31.03	90.0	30.16	94.4	30.18	96.6	30.62	98.9	31.06
	35	63.1	22.70	74.1	27.14	88.7	31.66	90.0	32.14	92.8	32.19	95.0	32.51	97.3	32.83
	37	63.1	24.22	74.1	29.04	88.7	31.89	88.8	33.60	91.8	34.08	93.7	34.51	95.7	34.97
	39	63.1	25.78	74.1	31.03	88.7	32.46	87.7	34.91	90.6	35.50	92.1	36.21	94.4	36.50
	41	63.1	26.74	74.1	32.24	88.7	32.95	86.6	36.16	89.3	36.90	88.8	37.25	93.0	37.65
43	63.1	27.71	74.1	32.87	88.7	34.04	86.3	37.88	88.1	38.48	89.3	39.14	89.6	39.44	
45	63.1	28.99	74.1	33.79	88.7	36.18	85.7	40.28	86.8	42.51	88.5	44.64	88.2	45.50	
48	63.1	33.43	74.1	36.00	88.7	38.57	84.7	43.39	85.6	45.96	86.5	48.53	86.9	51.11	
50	63.1	37.86	74.1	40.44	88.7	43.01	84.0	45.58	84.3	48.15	85.2	50.72	85.6	53.29	
52	63.1	42.30	74.1	44.87	88.7	47.44	83.2	50.01	83.1	52.58	83.9	55.16	84.2	57.73	
54	63.1	46.73	74.1	49.31	88.7	51.88	82.4	54.45	81.8	57.02	82.5	59.59	82.9	62.16	
75%	-5	45.6	6.75	54.6	6.97	63.3	8.10	67.8	9.35	73.6	10.06	83.6	11.57	89.9	13.25
	-2	45.6	6.84	54.6	7.05	63.3	8.22	67.8	9.40	73.6	10.19	83.6	11.69	89.9	13.38
	0	45.6	6.92	54.6	7.14	63.3	8.35	67.8	9.45	73.6	10.32	83.6	11.82	89.9	13.48
	2	45.6	7.02	54.6	7.24	63.3	8.44	67.8	9.71	73.6	10.48	83.6	12.06	89.9	13.68
	4	45.6	7.09	54.6	7.35	63.3	8.59	67.8	9.86	73.6	10.61	83.6	12.25	89.9	13.88
	6	45.6	7.24	54.6	7.50	63.3	8.76	67.8	10.05	73.6	10.80	83.6	12.44	89.9	14.12
	8	45.6	7.35	54.6	7.65	63.3	8.95	67.8	10.22	73.6	10.99	83.6	12.67	89.9	14.25
	10	45.6	7.50	54.6	7.83	63.3	9.13	67.8	10.40	73.6	11.24	83.6	12.83	89.9	14.48
	12	45.6	7.65	54.6	7.98	63.3	9.30	67.8	10.59	73.6	11.45	83.6	13.08	89.9	14.74
	14	45.6	7.80	54.6	8.12	63.3	9.48	67.8	10.93	73.6	11.65	83.6	13.32	89.9	15.01
	16	45.6	7.95	54.6	8.27	63.3	9.69	67.8	10.97	73.6	11.89	83.6	13.58	89.9	15.28
	18	45.6	8.11	54.6	8.45	63.3	9.87	67.8	11.00	73.6	12.13	83.6	13.85	89.9	15.76
	20	45.6	8.29	54.6	8.65	63.3	10.08	67.8	11.72	73.6	12.57	83.6	14.89	89.9	16.50
	21	45.6	8.36	54.6	8.72	63.3	10.25	67.8	12.55	73.6	13.02	83.6	15.43	89.9	16.88
	23	45.6	8.94	54.6	9.08	63.3	11.03	67.8	13.23	73.6	13.97	83.6	16.56	89.9	17.66
	25	45.6	9.58	54.6	9.73	63.3	11.83	67.8	14.21	73.6	14.92	83.6	17.72	89.9	18.43
	27	45.6	10.24	54.6	10.38	63.3	12.66	67.8	15.23	73.6	15.96	83.6	18.97	89.9	19.20
	29	45.6	10.95	54.6	11.10	63.3	13.55	67.8	15.94	73.6	17.06	83.6	19.83	89.9	19.98
	31	45.6	11.71	54.6	11.84	63.3	14.48	67.8	16.99	73.6	18.19	83.6	20.60	89.9	20.78
	33	45.6	12.50	54.6	12.61	63.3	15.49	67.8	18.02	73.6	19.41	83.6	21.40	89.9	21.55
	35	45.6	13.31	54.6	13.45	63.3	16.53	67.8	18.85	73.6	20.69	83.6	22.18	89.9	22.35
	37	45.6	14.20	54.6	14.31	63.3	17.63	67.8	19.70	73.6	22.06	83.6	22.95	89.9	23.13
	39	45.6	15.12	54.6	15.26	63.3	18.79	67.8	20.47	73.6	23.52	83.6	23.75	89.9	23.93
	41	45.6	15.68	54.6	15.97	63.3	19.49	67.8	21.20	73.6	23.63	83.6	24.36	89.9	24.50
43	45.6	16.25	54.6	16.67	63.3	20.20	67.8	22.21	73.6	24.13	83.6	24.67	89.9	24.88	
45	45.6	17.00	54.6	17.52	63.3	21.05	67.8	23.62	73.6	24.80	83.6	26.82	89.9	27.96	
48	45.6	19.60	54.6	21.49	63.3	23.37	67.8	25.26	73.6	27.14	83.6	29.03	89.9	30.91	
50	45.6	22.20	54.6	24.09	63.3	25.97	67.8	27.86	73.6	29.74	83.6	31.63	89.9	33.51	
52	45.6	24.80	54.6	26.69	63.3	28.57	67.8	30.46	73.6	32.34	83.6	34.23	89.9	36.11	
54	45.6	27.41	54.6	29.29	63.3	31.17	67.8	33.06	73.6	34.94	83.6	36.83	89.9	38.71	

Abbreviations:

TC: Total capacity (kW)

PI: Power input (compressor + outdoor fan motor) (kW)

Table continued on next page ...



Table 2-8.40: 32HP cooling part load performance (continued)

Part load	Outdoor air temp. (°CDB)	Indoor air temp. (°C DB/WD)													
		20.8/14		23.3/16		25.8/18		27/19		28.2/20		30.7/22		32/24	
		TC kW	PI kW	TC kW	PI kW	TC kW	PI kW	TC kW	PI kW	TC kW	PI kW	TC kW	PI kW	TC kW	PI kW
50%	-5	30.6	3.78	36.5	4.12	42.5	4.54	45.5	5.81	49.3	6.33	56.2	7.04	60.3	8.07
	-2	30.6	3.83	36.5	4.17	42.5	4.60	45.5	5.89	49.3	6.44	56.2	7.15	60.3	8.13
	0	30.6	3.87	36.5	4.22	42.5	4.68	45.5	5.96	49.3	6.52	56.2	7.25	60.3	8.23
	2	30.6	3.93	36.5	4.27	42.5	4.73	45.5	6.08	49.3	6.62	56.2	7.40	60.3	8.34
	4	30.6	3.97	36.5	4.35	42.5	4.81	45.5	6.15	49.3	6.76	56.2	7.52	60.3	8.46
	6	30.6	4.05	36.5	4.41	42.5	4.91	45.5	6.29	49.3	6.89	56.2	7.67	60.3	8.65
	8	30.6	4.12	36.5	4.50	42.5	5.01	45.5	6.41	49.3	7.03	56.2	7.81	60.3	8.79
	10	30.6	4.20	36.5	4.59	42.5	5.11	45.5	6.59	49.3	7.14	56.2	7.96	60.3	8.78
	12	30.6	4.28	36.5	4.69	42.5	5.21	45.5	6.71	49.3	7.29	56.2	8.11	60.3	8.92
	14	30.6	4.37	36.5	4.79	42.5	5.31	45.5	6.82	49.3	7.41	56.2	8.25	60.3	9.07
	16	30.6	4.45	36.5	4.90	42.5	5.43	45.5	6.94	49.3	7.55	56.2	8.40	60.3	9.24
	18	30.6	4.54	36.5	5.00	42.5	5.53	45.5	7.06	49.3	7.70	56.2	8.54	60.3	9.42
	20	30.6	4.64	36.5	5.17	42.5	5.64	45.5	7.20	49.3	7.76	56.2	8.72	60.3	9.59
	21	30.6	4.68	36.5	5.38	42.5	5.74	45.5	7.72	49.3	7.90	56.2	8.81	60.3	9.80
	23	30.6	5.01	36.5	5.81	42.5	6.18	45.5	8.25	49.3	8.40	56.2	9.16	60.3	9.88
	25	30.6	5.36	36.5	6.27	42.5	6.63	45.5	8.70	49.3	8.95	56.2	9.77	60.3	10.53
	27	30.6	5.73	36.5	6.74	42.5	7.09	45.5	9.13	49.3	9.53	56.2	10.41	60.3	11.23
	29	30.6	6.13	36.5	7.23	42.5	7.59	45.5	9.52	49.3	10.15	56.2	11.11	60.3	11.98
	31	30.6	6.56	36.5	7.76	42.5	8.11	45.5	10.04	49.3	10.79	56.2	11.81	60.3	12.80
	33	30.6	7.00	36.5	8.31	42.5	8.67	45.5	10.47	49.3	11.46	56.2	12.57	60.3	13.62
	35	30.6	7.46	36.5	8.91	42.5	9.26	45.5	10.55	49.3	12.16	56.2	13.38	60.3	14.52
	37	30.6	7.95	36.5	9.54	42.5	9.87	45.5	11.04	49.3	12.92	56.2	14.23	60.3	15.45
	39	30.6	8.47	36.5	10.19	42.5	10.52	45.5	11.46	49.3	13.39	56.2	15.10	60.3	16.44
	41	30.6	8.78	36.5	10.59	42.5	10.92	45.5	11.88	49.3	13.86	56.2	15.82	60.3	17.49
43	30.6	9.10	36.5	10.80	42.5	11.31	45.5	12.44	49.3	14.55	56.2	16.49	60.3	18.29	
45	30.6	9.84	36.5	12.15	42.5	12.84	45.5	13.54	49.3	15.72	56.2	17.23	60.3	19.08	
48	30.6	11.29	36.5	12.67	42.5	14.04	45.5	15.41	49.3	16.78	56.2	18.16	60.3	19.53	
50	30.6	12.75	36.5	14.12	42.5	15.50	45.5	16.87	49.3	18.24	56.2	19.61	60.3	20.98	
52	30.6	14.21	36.5	15.58	42.5	16.95	45.5	18.32	49.3	19.70	56.2	21.07	60.3	22.44	
54	30.6	15.66	36.5	17.04	42.5	18.41	45.5	19.78	49.3	21.15	56.2	22.52	60.3	23.90	
25%	-5	15.3	2.05	18.3	2.24	21.2	2.47	22.6	3.38	24.5	3.51	27.9	3.99	30.1	4.30
	-2	15.3	2.08	18.3	2.26	21.2	2.50	22.6	3.47	24.5	3.57	27.9	4.04	30.1	4.36
	0	15.3	2.10	18.3	2.29	21.2	2.54	22.6	3.48	24.5	3.61	27.9	4.11	30.1	4.43
	2	15.3	2.13	18.3	2.32	21.2	2.57	22.6	3.49	24.5	3.68	27.9	4.13	30.1	4.52
	4	15.3	2.16	18.3	2.36	21.2	2.61	22.6	3.50	24.5	3.75	27.9	4.23	30.1	4.63
	6	15.3	2.20	18.3	2.40	21.2	2.67	22.6	3.53	24.5	3.82	27.9	4.30	30.1	4.77
	8	15.3	2.24	18.3	2.45	21.2	2.72	22.6	3.54	24.5	3.87	27.9	4.37	30.1	4.92
	10	15.3	2.28	18.3	2.49	21.2	2.78	22.6	3.51	24.5	3.98	27.9	4.48	30.1	5.00
	12	15.3	2.33	18.3	2.55	21.2	2.83	22.6	3.53	24.5	4.06	27.9	4.56	30.1	5.08
	14	15.3	2.37	18.3	2.60	21.2	2.88	22.6	3.55	24.5	4.12	27.9	4.64	30.1	5.18
	16	15.3	2.42	18.3	2.66	21.2	2.95	22.6	3.56	24.5	4.18	27.9	4.72	30.1	5.26
	18	15.3	2.47	18.3	2.72	21.2	3.00	22.6	3.57	24.5	4.26	27.9	4.80	30.1	5.36
	20	15.3	2.52	18.3	2.81	21.2	3.07	22.6	3.74	24.5	4.34	27.9	4.88	30.1	5.46
	21	15.3	2.54	18.3	2.92	21.2	3.12	22.6	3.93	24.5	4.38	27.9	4.94	30.1	5.51
	23	15.3	2.72	18.3	3.16	21.2	3.35	22.6	4.19	24.5	4.46	27.9	5.02	30.1	5.63
	25	15.3	2.91	18.3	3.40	21.2	3.60	22.6	4.46	24.5	4.60	27.9	5.28	30.1	6.01
	27	15.3	3.12	18.3	3.66	21.2	3.85	22.6	4.81	24.5	4.88	27.9	5.61	30.1	6.41
	29	15.3	3.33	18.3	3.93	21.2	4.12	22.6	4.96	24.5	5.20	27.9	5.97	30.1	6.83
	31	15.3	3.56	18.3	4.21	21.2	4.40	22.6	5.28	24.5	5.51	27.9	6.35	30.1	7.27
	33	15.3	3.80	18.3	4.52	21.2	4.71	22.6	5.57	24.5	5.85	27.9	6.75	30.1	7.72
	35	15.3	4.05	18.3	4.84	21.2	5.03	22.6	5.73	24.5	6.19	27.9	7.17	30.1	8.20
	37	15.3	4.32	18.3	5.18	21.2	5.36	22.6	5.99	24.5	6.57	27.9	7.61	30.1	8.72
	39	15.3	4.60	18.3	5.54	21.2	5.72	22.6	6.23	24.5	6.97	27.9	8.06	30.1	9.26
	41	15.3	4.77	18.3	5.75	21.2	5.93	22.6	6.45	24.5	7.27	27.9	8.49	30.1	9.69
43	15.3	4.94	18.3	5.86	21.2	6.15	22.6	6.87	24.5	7.46	27.9	8.92	30.1	10.12	
45	15.3	5.17	18.3	6.60	21.2	7.03	22.6	7.59	24.5	8.33	27.9	9.78	30.1	10.55	
48	15.3	6.08	18.3	6.94	21.2	7.80	22.6	8.66	24.5	9.52	27.9	10.38	30.1	11.24	
50	15.3	6.98	18.3	7.84	21.2	8.70	22.6	9.56	24.5	10.42	27.9	11.28	30.1	12.14	
52	15.3	7.89	18.3	8.75	21.2	9.61	22.6	10.47	24.5	11.33	27.9	12.19	30.1	13.05	
54	15.3	8.80	18.3	9.66	21.2	10.52	22.6	11.38	24.5	12.24	27.9	13.10	30.1	13.96	

Abbreviations:

TC: Total capacity (kW)

PI: Power input (compressor + outdoor fan motor) (kW)

8.6 Heating Part Load Performance at 100% Combination Ratio

Table 2-8.41: 8HP heating part load performance

Part load	Outdoor air temp.		Indoor air temp. °C DB											
			16.0		18.0		20.0		21.0		22.0		24.0	
			TC	PI	TC	PI	TC	PI	TC	PI	TC	PI	TC	PI
	°C DB	°C WB	kW	kW	kW	kW	kW	kW	kW	kW	kW	kW	kW	kW
100%	-25	-25.4	20.48	5.75	20.40	5.81	20.32	5.87	20.32	5.91	20.32	5.94	20.24	6.02
	-19.8	-20	20.64	5.75	20.56	5.82	20.48	5.88	20.48	5.91	20.48	5.95	20.40	6.02
	-18.8	-19	20.96	5.77	20.88	5.83	20.80	5.89	20.80	5.92	20.80	5.96	20.72	6.03
	-16.7	-17	21.28	5.77	21.20	5.84	21.20	5.90	21.12	5.93	21.12	5.97	21.04	5.90
	-13.7	-15	21.60	5.79	21.52	5.84	21.52	5.91	21.44	5.94	21.44	5.98	21.36	5.78
	-11.8	-13	21.92	5.79	21.84	5.86	21.84	5.92	21.76	5.96	21.76	5.98	21.36	5.67
	-9.8	-11	22.08	5.80	22.08	5.86	22.00	5.93	22.00	5.96	21.92	5.99	21.36	5.61
	-9.5	-10	22.24	5.81	22.16	5.86	22.16	5.93	22.08	5.96	22.08	6.00	21.36	5.56
	-8.5	-9.1	22.48	5.82	22.48	5.87	22.40	5.93	22.32	5.97	22.32	6.00	21.36	5.49
	-7	-7.6	24.24	5.82	24.16	5.87	24.16	5.94	24.08	6.19	23.28	5.89	21.36	5.31
	-5	-5.6	24.56	5.83	24.48	5.88	24.48	5.94	24.24	6.40	23.28	6.09	21.36	5.49
	-3	-3.7	25.04	5.84	24.96	5.88	24.96	5.74	24.24	6.02	23.28	6.40	21.36	5.77
	0	-0.7	25.68	5.84	27.12	5.88	25.20	5.58	24.24	6.33	23.28	6.03	21.36	5.42
	3	2.2	27.36	6.21	27.12	5.74	25.20	5.43	24.24	5.82	23.28	5.56	21.36	5.02
	5	4.1	29.04	5.89	27.12	5.46	25.20	5.17	24.24	5.32	23.28	5.08	21.36	4.62
7	6	29.04	5.56	27.12	5.18	25.20	4.84	24.24	4.65	23.28	4.45	21.36	4.08	
9	7.9	29.04	5.25	27.12	4.90	25.20	4.56	24.24	4.39	23.28	4.22	21.36	3.89	
11	9.8	29.04	4.91	27.12	4.60	25.20	4.31	24.24	4.16	23.28	4.01	21.36	3.72	
13	11.8	29.04	4.60	27.12	4.34	25.20	4.08	24.24	3.96	23.28	3.83	21.36	3.58	
15	13.7	29.04	4.38	27.12	4.15	25.20	3.92	24.24	3.81	23.28	3.70	21.36	3.47	
75%	-25	-25.4	21.59	6.28	20.27	5.77	18.90	5.29	18.13	5.05	17.45	4.82	16.00	4.36
	-19.8	-20	21.56	6.15	20.27	5.65	18.90	5.18	18.13	4.95	17.45	4.72	16.00	4.27
	-18.8	-19	21.73	6.08	20.27	5.60	18.90	5.13	18.13	4.90	17.45	4.68	16.00	4.24
	-16.7	-17	21.73	5.96	20.27	5.49	18.90	5.03	18.13	4.80	17.45	4.58	16.00	4.16
	-13.7	-15	21.73	5.84	20.27	5.38	18.90	4.93	18.13	4.71	17.45	4.49	16.00	4.08
	-11.8	-13	21.73	5.72	20.27	5.27	18.90	4.84	18.13	4.62	17.45	4.41	16.00	4.00
	-9.8	-11	21.73	5.61	20.27	5.17	18.90	4.74	18.13	4.54	17.45	4.33	16.00	3.93
	-9.5	-10	21.73	5.56	20.27	5.13	18.90	4.70	18.13	4.49	17.45	4.29	16.00	3.90
	-8.5	-9.1	21.73	5.51	20.27	5.08	18.90	4.66	18.13	4.46	17.45	4.26	16.00	3.86
	-7	-7.6	21.73	5.43	20.27	5.01	18.90	4.60	18.13	4.40	17.45	4.20	16.00	3.81
	-5	-5.6	21.73	5.27	20.27	4.86	18.90	4.47	18.13	4.28	17.45	4.09	16.00	3.72
	-3	-3.7	21.73	5.45	20.27	5.03	18.90	4.63	18.13	4.43	17.45	4.24	16.00	3.86
	0	-0.7	21.73	5.73	20.27	5.29	18.90	4.87	18.13	4.66	17.45	4.46	16.00	4.06
	3	2.2	21.73	4.99	20.27	4.62	18.90	4.26	18.13	4.08	17.45	3.91	16.00	3.57
	5	4.1	21.73	4.60	20.27	4.29	18.90	3.97	18.13	3.82	17.45	3.66	16.00	3.36
7	6	21.73	4.08	20.27	3.82	18.90	3.56	18.13	3.43	17.45	3.30	16.00	3.06	
9	7.9	21.73	3.91	20.27	3.67	18.90	3.44	18.13	4.07	17.45	3.22	16.00	3.00	
11	9.8	21.73	3.75	20.27	3.55	18.90	3.34	18.13	3.25	17.45	3.14	16.00	2.94	
13	11.8	21.73	3.61	20.27	3.44	18.90	3.25	18.13	3.17	17.45	3.08	16.00	2.90	
15	13.7	21.73	3.52	20.27	3.36	18.90	3.20	18.13	3.12	17.45	3.04	16.00	2.89	

Abbreviations:

TC: Total capacity (kW)

PI: Power input (compressor + outdoor fan motor) (kW)

Table continued on next page ...

Table 2-8.41: 8HP heating part load performance (continued)

Part load	Outdoor air temp.		Indoor air temp. °C DB											
			16.0		18.0		20.0		21.0		22.0		24.0	
	°C DB	°C WB	TC kW	PI kW	TC kW	PI kW	TC kW	PI kW	TC kW	PI kW	TC kW	PI kW	TC kW	PI kW
50%	-25	-25.4	14.56	3.83	13.60	3.55	12.64	3.27	12.08	3.43	11.60	3.01	10.64	2.75
	-19.8	-20	14.56	3.76	13.60	3.49	12.64	3.22	12.08	3.09	11.60	2.96	10.64	2.70
	-18.8	-19	14.56	3.73	13.60	3.46	12.64	3.19	12.08	3.72	11.60	2.93	10.64	2.68
	-16.7	-17	14.56	3.66	13.60	3.39	12.64	3.13	12.08	3.00	11.60	2.88	10.64	2.63
	-13.7	-15	14.56	3.59	13.60	3.33	12.64	3.08	12.08	2.95	11.60	2.83	10.64	2.58
	-11.8	-13	14.56	3.52	13.60	3.27	12.64	3.02	12.08	2.90	11.60	2.78	10.64	2.54
	-9.8	-11	14.56	3.46	13.60	3.22	12.64	2.97	12.08	2.85	11.60	2.73	10.64	2.50
	-9.5	-10	14.56	3.43	13.60	3.18	12.64	2.94	12.08	2.82	11.60	2.71	10.64	2.48
	-8.5	-9.1	14.56	3.40	13.60	3.16	12.64	2.92	12.08	2.80	11.60	2.69	10.64	2.46
	-7	-7.6	14.56	3.36	13.60	3.12	12.64	2.88	12.08	2.77	11.60	2.66	10.64	2.43
	-5	-5.6	14.56	3.28	13.60	3.05	12.64	2.82	12.08	2.72	11.60	2.60	10.64	2.39
	-3	-3.7	14.56	3.40	13.60	3.16	12.64	2.93	12.08	2.82	11.60	2.70	10.64	2.48
	0	-0.7	14.56	3.58	13.60	3.33	12.64	3.09	12.08	2.97	11.60	2.85	10.64	2.62
	3	2.2	14.56	3.15	13.60	2.94	12.64	2.72	12.08	2.62	11.60	2.52	10.64	2.32
	5	4.1	14.56	2.98	13.60	2.78	12.64	2.60	12.08	2.51	11.60	2.42	10.64	2.24
	7	6	14.56	2.70	13.60	2.55	12.64	2.39	12.08	2.32	11.60	2.24	10.64	2.08
9	7.9	14.56	2.66	13.60	2.52	12.64	2.38	12.08	2.31	11.60	2.24	10.64	2.10	
11	9.8	14.56	2.62	13.60	2.49	12.64	2.36	12.08	2.30	11.60	2.24	10.64	2.12	
13	11.8	14.56	2.58	13.60	2.47	12.64	2.36	12.08	2.30	11.60	2.24	10.64	2.14	
15	13.7	14.56	2.58	13.60	2.47	12.64	2.37	12.08	2.32	11.60	2.28	10.64	2.18	
25%	-25	-25.4	7.27	2.07	6.80	1.91	6.30	1.75	6.07	1.68	5.80	1.60	5.33	1.46
	-19.8	-20	7.27	2.03	6.80	1.87	6.30	1.72	6.07	1.64	5.80	1.57	5.33	1.43
	-18.8	-19	7.27	2.01	6.80	1.85	6.30	1.70	6.07	1.63	5.80	1.56	5.33	1.42
	-16.7	-17	7.27	1.97	6.80	1.82	6.30	1.67	6.07	1.60	5.80	1.53	5.33	1.39
	-13.7	-15	7.27	1.93	6.80	1.78	6.30	1.64	6.07	1.57	5.80	1.50	5.33	1.36
	-11.8	-13	7.27	1.89	6.80	1.75	6.30	1.61	6.07	1.54	5.80	1.47	5.33	1.34
	-9.8	-11	7.27	1.86	6.80	1.72	6.30	1.58	6.07	1.51	5.80	1.45	5.33	1.32
	-9.5	-10	7.27	1.84	6.80	1.70	6.30	1.57	6.07	1.50	5.80	1.43	5.33	1.31
	-8.5	-9.1	7.27	1.83	6.80	1.69	6.30	1.55	6.07	1.49	5.80	1.42	5.33	1.30
	-7	-7.6	7.27	1.80	6.80	1.66	6.30	1.53	6.07	1.47	5.80	1.41	5.33	1.28
	-5	-5.6	7.27	1.75	6.80	1.62	6.30	1.50	6.07	1.43	5.80	1.37	5.33	1.25
	-3	-3.7	7.27	1.81	6.80	1.68	6.30	1.55	6.07	1.49	5.80	1.42	5.33	1.30
	0	-0.7	7.27	1.91	6.80	1.77	6.30	1.63	6.07	1.57	5.80	1.50	5.33	1.37
	3	2.2	7.27	1.67	6.80	1.55	6.30	1.43	6.07	1.38	5.80	1.32	5.33	1.21
	5	4.1	7.27	1.56	6.80	1.45	6.30	1.35	6.07	1.30	5.80	1.25	5.33	1.15
	7	6	7.27	1.40	6.80	1.31	6.30	1.23	6.07	1.18	5.80	1.14	5.33	1.06
9	7.9	7.27	1.35	6.80	1.27	6.30	1.20	6.07	1.16	5.80	1.13	5.33	1.05	
11	9.8	7.27	1.31	6.80	1.25	6.30	1.18	6.07	1.14	5.80	1.11	5.33	1.04	
13	11.8	7.27	1.28	6.80	1.22	6.30	1.16	6.07	1.13	5.80	1.10	5.33	1.04	
15	13.7	7.27	1.26	6.80	1.20	6.30	1.15	6.07	1.13	5.80	1.10	5.33	1.04	

Abbreviations:

TC: Total capacity (kW)

PI: Power input (compressor + outdoor fan motor) (kW)

Table 2-8.42: 10HP heating part load performance

Part load	Outdoor air temp.		Indoor air temp. °C DB											
			16.0		18.0		20.0		21.0		22.0		24.0	
	°C DB	°C WB	TC kW	PI kW	TC kW	PI kW	TC kW	PI kW	TC kW	PI kW	TC kW	PI kW	TC kW	PI kW
100%	-25	-25.4	22.76	6.52	22.67	6.59	22.58	6.66	22.58	6.70	22.58	6.74	22.49	6.83
	-19.8	-20	22.93	6.52	22.84	6.60	22.76	6.67	22.76	6.71	22.76	6.75	22.67	6.83
	-18.8	-19	23.29	6.54	23.20	6.61	23.11	6.68	23.11	6.72	23.11	6.76	23.02	6.83
	-16.7	-17	23.64	6.55	23.56	6.62	23.56	6.69	23.47	6.73	23.47	6.77	23.38	6.69
	-13.7	-15	24.00	6.56	23.91	6.63	23.91	6.71	23.82	6.74	23.82	6.78	23.73	6.56
	-11.8	-13	24.36	6.57	24.27	6.64	24.27	6.72	24.18	6.76	24.18	6.79	23.73	6.43
	-9.8	-11	24.53	6.58	24.53	6.65	24.44	6.72	24.44	6.76	24.36	6.79	23.73	6.37
	-9.5	-10	24.71	6.59	24.62	6.65	24.62	6.72	24.53	6.76	24.53	6.80	23.73	6.31
	-8.5	-9.1	24.98	6.60	24.98	6.66	24.89	6.73	24.80	6.77	24.80	6.81	23.73	6.22
	-7	-7.6	26.93	6.60	26.84	6.66	26.84	6.73	26.76	7.02	25.87	6.68	23.73	6.02
	-5	-5.6	27.29	6.61	27.20	6.67	27.20	6.74	26.93	7.26	25.87	6.91	23.73	6.23
	-3	-3.7	27.82	6.62	27.73	6.67	27.73	6.52	26.93	6.83	25.87	7.26	23.73	6.55
	0	-0.7	28.53	6.63	30.13	6.67	28.00	6.33	26.93	7.18	25.87	6.84	23.73	6.15
	3	2.2	30.40	7.04	30.13	6.51	28.00	6.15	26.93	6.60	25.87	6.30	23.73	5.70
	5	4.1	32.27	6.68	30.13	6.19	28.00	5.86	26.93	6.03	25.87	5.76	23.73	5.24
	7	6	32.27	6.31	30.13	5.87	28.00	5.49	26.93	5.28	25.87	5.05	23.73	4.63
9	7.9	32.27	5.95	30.13	5.56	28.00	5.17	26.93	4.98	25.87	4.79	23.73	4.42	
11	9.8	32.27	5.57	30.13	5.22	28.00	4.89	26.93	4.72	25.87	4.55	23.73	4.22	
13	11.8	32.27	5.22	30.13	4.93	28.00	4.63	26.93	4.49	25.87	4.34	23.73	4.06	
15	13.7	32.27	4.96	30.13	4.71	28.00	4.45	26.93	4.32	25.87	4.19	23.73	3.94	
75%	-25	-25.4	23.99	7.12	22.53	6.55	21.00	6.00	20.15	5.73	19.39	5.47	17.77	4.95
	-19.8	-20	23.95	6.97	22.53	6.41	21.00	5.88	20.15	5.61	19.39	5.36	17.77	4.85
	-18.8	-19	24.14	6.90	22.53	6.35	21.00	5.81	20.15	5.56	19.39	5.31	17.77	4.81
	-16.7	-17	24.14	6.76	22.53	6.22	21.00	5.71	20.15	5.45	19.39	5.20	17.77	4.71
	-13.7	-15	24.14	6.62	22.53	6.10	21.00	5.59	20.15	5.35	19.39	5.10	17.77	4.62
	-11.8	-13	24.14	6.49	22.53	5.98	21.00	5.49	20.15	5.24	19.39	5.01	17.77	4.54
	-9.8	-11	24.14	6.36	22.53	5.86	21.00	5.38	20.15	5.15	19.39	4.91	17.77	4.46
	-9.5	-10	24.14	6.31	22.53	5.81	21.00	5.33	20.15	5.10	19.39	4.86	17.77	4.42
	-8.5	-9.1	24.14	6.25	22.53	5.76	21.00	5.29	20.15	5.06	19.39	4.83	17.77	4.38
	-7	-7.6	24.14	6.16	22.53	5.68	21.00	5.21	20.15	4.99	19.39	4.76	17.77	4.32
	-5	-5.6	24.14	5.97	22.53	5.51	21.00	5.07	20.15	4.86	19.39	4.64	17.77	4.22
	-3	-3.7	24.14	6.18	22.53	5.71	21.00	5.25	20.15	5.02	19.39	4.81	17.77	4.37
	0	-0.7	24.14	6.50	22.53	6.01	21.00	5.52	20.15	5.29	19.39	5.06	17.77	4.61
	3	2.2	24.14	5.66	22.53	5.24	21.00	4.83	20.15	4.63	19.39	4.43	17.77	4.05
	5	4.1	24.14	5.22	22.53	4.86	21.00	4.51	20.15	4.33	19.39	4.16	17.77	3.82
	7	6	24.14	4.63	22.53	4.33	21.00	4.04	20.15	3.89	19.39	3.75	17.77	3.47
9	7.9	24.14	4.43	22.53	4.17	21.00	3.91	20.15	3.61	19.39	3.65	17.77	3.40	
11	9.8	24.14	4.26	22.53	4.02	21.00	3.79	20.15	3.68	19.39	3.57	17.77	3.34	
13	11.8	24.14	4.10	22.53	3.90	21.00	3.69	20.15	3.59	19.39	3.49	17.77	3.29	
15	13.7	24.14	3.99	22.53	3.81	21.00	3.63	20.15	3.54	19.39	3.45	17.77	3.27	

Abbreviations:

TC: Total capacity (kW)

PI: Power input (compressor + outdoor fan motor) (kW)

Table continued on next page ...

Table 2-8.42: 10HP heating part load performance (continued)

Part load	Outdoor air temp.		Indoor air temp. °C DB											
			16.0		18.0		20.0		21.0		22.0		24.0	
	°C DB	°C WB	TC kW	PI kW	TC kW	PI kW	TC kW	PI kW	TC kW	PI kW	TC kW	PI kW	TC kW	PI kW
50%	-25	-25.4	16.18	4.35	15.11	4.03	14.04	3.71	13.42	3.89	12.89	3.41	11.82	3.12
	-19.8	-20	16.18	4.27	15.11	3.96	14.04	3.65	13.42	3.51	12.89	3.35	11.82	3.07
	-18.8	-19	16.18	4.23	15.11	3.92	14.04	3.62	13.42	4.22	12.89	3.32	11.82	3.04
	-16.7	-17	16.18	4.15	15.11	3.85	14.04	3.55	13.42	3.41	12.89	3.26	11.82	2.98
	-13.7	-15	16.18	4.07	15.11	3.78	14.04	3.49	13.42	3.35	12.89	3.21	11.82	2.93
	-11.8	-13	16.18	4.00	15.11	3.71	14.04	3.43	13.42	3.29	12.89	3.15	11.82	2.89
	-9.8	-11	16.18	3.93	15.11	3.65	14.04	3.37	13.42	3.23	12.89	3.10	11.82	2.83
	-9.5	-10	16.18	3.89	15.11	3.61	14.04	3.34	13.42	3.20	12.89	3.07	11.82	2.81
	-8.5	-9.1	16.18	3.86	15.11	3.59	14.04	3.32	13.42	3.18	12.89	3.05	11.82	2.80
	-7	-7.6	16.18	3.82	15.11	3.54	14.04	3.27	13.42	3.14	12.89	3.01	11.82	2.76
	-5	-5.6	16.18	3.72	15.11	3.46	14.04	3.20	13.42	3.08	12.89	2.95	11.82	2.71
	-3	-3.7	16.18	3.86	15.11	3.59	14.04	3.32	13.42	3.20	12.89	3.07	11.82	2.81
	0	-0.7	16.18	4.06	15.11	3.78	14.04	3.51	13.42	3.37	12.89	3.23	11.82	2.97
	3	2.2	16.18	3.57	15.11	3.33	14.04	3.09	13.42	2.98	12.89	2.86	11.82	2.63
	5	4.1	16.18	3.38	15.11	3.16	14.04	2.95	13.42	2.85	12.89	2.74	11.82	2.54
	7	6	16.18	3.07	15.11	2.89	14.04	2.71	13.42	2.63	12.89	2.54	11.82	2.36
9	7.9	16.18	3.01	15.11	2.86	14.04	2.70	13.42	2.62	12.89	2.54	11.82	2.39	
11	9.8	16.18	2.97	15.11	2.83	14.04	2.68	13.42	2.61	12.89	2.55	11.82	2.40	
13	11.8	16.18	2.93	15.11	2.80	14.04	2.68	13.42	2.61	12.89	2.55	11.82	2.43	
15	13.7	16.18	2.92	15.11	2.80	14.04	2.69	13.42	2.64	12.89	2.58	11.82	2.47	
25%	-25	-25.4	8.07	2.35	7.56	2.17	7.00	1.99	6.74	1.90	6.44	1.82	5.93	1.65
	-19.8	-20	8.07	2.30	7.56	2.12	7.00	1.95	6.74	1.86	6.44	1.78	5.93	1.62
	-18.8	-19	8.07	2.28	7.56	2.10	7.00	1.93	6.74	1.85	6.44	1.77	5.93	1.61
	-16.7	-17	8.07	2.23	7.56	2.06	7.00	1.89	6.74	1.81	6.44	1.73	5.93	1.58
	-13.7	-15	8.07	2.19	7.56	2.02	7.00	1.86	6.74	1.78	6.44	1.70	5.93	1.55
	-11.8	-13	8.07	2.15	7.56	1.98	7.00	1.83	6.74	1.75	6.44	1.67	5.93	1.52
	-9.8	-11	8.07	2.11	7.56	1.95	7.00	1.79	6.74	1.72	6.44	1.64	5.93	1.50
	-9.5	-10	8.07	2.09	7.56	1.93	7.00	1.78	6.74	1.70	6.44	1.63	5.93	1.48
	-8.5	-9.1	8.07	2.07	7.56	1.91	7.00	1.76	6.74	1.69	6.44	1.61	5.93	1.47
	-7	-7.6	8.07	2.04	7.56	1.89	7.00	1.74	6.74	1.67	6.44	1.59	5.93	1.45
	-5	-5.6	8.07	1.98	7.56	1.84	7.00	1.70	6.74	1.63	6.44	1.56	5.93	1.42
	-3	-3.7	8.07	2.06	7.56	1.90	7.00	1.76	6.74	1.69	6.44	1.61	5.93	1.48
	0	-0.7	8.07	2.16	7.56	2.00	7.00	1.85	6.74	1.78	6.44	1.70	5.93	1.55
	3	2.2	8.07	1.89	7.56	1.76	7.00	1.62	6.74	1.56	6.44	1.50	5.93	1.37
	5	4.1	8.07	1.77	7.56	1.65	7.00	1.53	6.74	1.48	6.44	1.42	5.93	1.31
	7	6	8.07	1.58	7.56	1.49	7.00	1.39	6.74	1.34	6.44	1.29	5.93	1.20
9	7.9	8.07	1.53	7.56	1.45	7.00	1.36	6.74	1.32	6.44	1.28	5.93	1.19	
11	9.8	8.07	1.49	7.56	1.41	7.00	1.34	6.74	1.30	6.44	1.26	5.93	1.18	
13	11.8	8.07	1.45	7.56	1.38	7.00	1.32	6.74	1.28	6.44	1.25	5.93	1.18	
15	13.7	8.07	1.43	7.56	1.37	7.00	1.31	6.74	1.28	6.44	1.25	5.93	1.18	

Abbreviations:

TC: Total capacity (kW)

PI: Power input (compressor + outdoor fan motor) (kW)

Table 2-8.43: 12HP heating part load performance

Part load	Outdoor air temp.		Indoor air temp. °C DB											
			16.0		18.0		20.0		21.0		22.0		24.0	
	°C DB	°C WB	TC kW	PI kW	TC kW	PI kW	TC kW	PI kW	TC kW	PI kW	TC kW	PI kW	TC kW	PI kW
100%	-25	-25.4	27.23	9.04	27.12	9.13	27.01	9.23	27.01	9.29	27.01	9.34	26.91	9.46
	-19.8	-20	27.44	9.04	27.33	9.14	27.23	9.24	27.23	9.30	27.23	9.35	27.12	9.46
	-18.8	-19	27.86	9.07	27.76	9.17	27.65	9.26	27.65	9.31	27.65	9.36	27.54	9.47
	-16.7	-17	28.29	9.08	28.18	9.18	28.18	9.28	28.08	9.33	28.08	9.39	27.97	9.28
	-13.7	-15	28.71	9.10	28.61	9.19	28.61	9.30	28.50	9.34	28.50	9.40	28.40	9.09
	-11.8	-13	29.14	9.11	29.03	9.21	29.03	9.31	28.93	9.36	28.93	9.41	28.40	8.91
	-9.8	-11	29.35	9.12	29.35	9.22	29.25	9.32	29.25	9.36	29.14	9.42	28.40	8.82
	-9.5	-10	29.57	9.13	29.46	9.22	29.46	9.32	29.35	9.37	29.35	9.43	28.40	8.75
	-8.5	-9.1	29.88	9.14	29.88	9.23	29.78	9.33	29.67	9.39	29.67	9.44	28.40	8.62
	-7	-7.6	32.22	9.15	32.12	9.23	32.12	9.33	32.01	9.73	30.95	9.25	28.40	8.35
	-5	-5.6	32.65	9.17	32.54	9.24	32.54	9.34	32.22	10.06	30.95	9.57	28.40	8.64
	-3	-3.7	33.29	9.18	33.18	9.25	33.18	9.03	32.22	9.46	30.95	10.06	28.40	9.08
	0	-0.7	34.14	9.19	36.05	9.25	33.50	8.78	32.22	9.95	30.95	9.48	28.40	8.53
	3	2.2	36.37	9.76	36.05	9.02	33.50	8.53	32.22	9.15	30.95	8.73	28.40	7.90
	5	4.1	38.60	9.26	36.05	8.58	33.50	8.13	32.22	8.36	30.95	7.98	28.40	7.27
	7	6	38.60	8.75	36.05	8.14	33.50	7.61	32.22	7.31	30.95	7.00	28.40	6.42
9	7.9	38.60	8.25	36.05	7.71	33.50	7.17	32.22	6.90	30.95	6.64	28.40	6.12	
11	9.8	38.60	7.72	36.05	7.24	33.50	6.77	32.22	6.54	30.95	6.31	28.40	5.86	
13	11.8	38.60	7.24	36.05	6.83	33.50	6.42	32.22	6.22	30.95	6.02	28.40	5.62	
15	13.7	38.60	6.88	36.05	6.53	33.50	6.17	32.22	5.99	30.95	5.81	28.40	5.46	
75%	-25	-25.4	28.70	9.87	26.95	9.08	25.13	8.31	24.11	7.94	23.20	7.58	21.26	6.86
	-19.8	-20	28.66	9.66	26.95	8.89	25.13	8.15	24.11	7.78	23.20	7.42	21.26	6.72
	-18.8	-19	28.88	9.56	26.95	8.80	25.13	8.06	24.11	7.70	23.20	7.36	21.26	6.66
	-16.7	-17	28.88	9.36	26.95	8.63	25.13	7.91	24.11	7.55	23.20	7.21	21.26	6.54
	-13.7	-15	28.88	9.18	26.95	8.45	25.13	7.75	24.11	7.41	23.20	7.07	21.26	6.41
	-11.8	-13	28.88	8.99	26.95	8.29	25.13	7.61	24.11	7.26	23.20	6.94	21.26	6.29
	-9.8	-11	28.88	8.82	26.95	8.13	25.13	7.46	24.11	7.14	23.20	6.81	21.26	6.18
	-9.5	-10	28.88	8.74	26.95	8.06	25.13	7.39	24.11	7.07	23.20	6.74	21.26	6.13
	-8.5	-9.1	28.88	8.66	26.95	7.99	25.13	7.33	24.11	7.01	23.20	6.70	21.26	6.07
	-7	-7.6	28.88	8.54	26.95	7.87	25.13	7.23	24.11	6.92	23.20	6.60	21.26	5.99
	-5	-5.6	28.88	8.28	26.95	7.64	25.13	7.03	24.11	6.73	23.20	6.43	21.26	5.85
	-3	-3.7	28.88	8.57	26.95	7.91	25.13	7.27	24.11	6.96	23.20	6.66	21.26	6.06
	0	-0.7	28.88	9.01	26.95	8.33	25.13	7.66	24.11	7.33	23.20	7.01	21.26	6.39
	3	2.2	28.88	7.84	26.95	7.26	25.13	6.70	24.11	6.42	23.20	6.14	21.26	5.61
	5	4.1	28.88	7.24	26.95	6.74	25.13	6.25	24.11	6.00	23.20	5.76	21.26	5.29
	7	6	28.88	6.42	26.95	6.00	25.13	5.60	24.11	5.39	23.20	5.20	21.26	4.80
9	7.9	28.88	6.14	26.95	5.77	25.13	5.42	24.11	6.40	23.20	5.06	21.26	4.71	
11	9.8	28.88	5.90	26.95	5.58	25.13	5.25	24.11	5.10	23.20	4.94	21.26	4.63	
13	11.8	28.88	5.68	26.95	5.40	25.13	5.12	24.11	4.98	23.20	4.84	21.26	4.56	
15	13.7	28.88	5.53	26.95	5.28	25.13	5.03	24.11	4.91	23.20	4.78	21.26	4.54	

Abbreviations:

TC: Total capacity (kW)

PI: Power input (compressor + outdoor fan motor) (kW)

Table continued on next page ...

Table 2-8.43: 12HP heating part load performance (continued)

Part load	Outdoor air temp.		Indoor air temp. °C DB											
			16.0		18.0		20.0		21.0		22.0		24.0	
	°C DB	°C WB	TC kW	PI kW	TC kW	PI kW	TC kW	PI kW	TC kW	PI kW	TC kW	PI kW	TC kW	PI kW
50%	-25	-25.4	19.36	6.02	18.08	5.58	16.80	5.15	16.06	5.39	15.42	4.73	14.14	4.32
	-19.8	-20	19.36	5.92	18.08	5.49	16.80	5.06	16.06	4.86	15.42	4.65	14.14	4.25
	-18.8	-19	19.36	5.86	18.08	5.44	16.80	5.02	16.06	5.85	15.42	4.61	14.14	4.21
	-16.7	-17	19.36	5.75	18.08	5.33	16.80	4.92	16.06	4.72	15.42	4.52	14.14	4.14
	-13.7	-15	19.36	5.64	18.08	5.24	16.80	4.84	16.06	4.64	15.42	4.45	14.14	4.06
	-11.8	-13	19.36	5.54	18.08	5.14	16.80	4.75	16.06	4.56	15.42	4.37	14.14	4.00
	-9.8	-11	19.36	5.45	18.08	5.06	16.80	4.67	16.06	4.48	15.42	4.29	14.14	3.93
	-9.5	-10	19.36	5.39	18.08	5.01	16.80	4.63	16.06	4.44	15.42	4.26	14.14	3.90
	-8.5	-9.1	19.36	5.35	18.08	4.97	16.80	4.60	16.06	4.41	15.42	4.23	14.14	3.87
	-7	-7.6	19.36	5.29	18.08	4.91	16.80	4.53	16.06	4.36	15.42	4.18	14.14	3.82
	-5	-5.6	19.36	5.16	18.08	4.80	16.80	4.44	16.06	4.27	15.42	4.09	14.14	3.76
	-3	-3.7	19.36	5.35	18.08	4.97	16.80	4.61	16.06	4.43	15.42	4.25	14.14	3.90
	0	-0.7	19.36	5.63	18.08	5.24	16.80	4.86	16.06	4.67	15.42	4.48	14.14	4.12
	3	2.2	19.36	4.95	18.08	4.62	16.80	4.28	16.06	4.13	15.42	3.96	14.14	3.64
	5	4.1	19.36	4.68	18.08	4.38	16.80	4.09	16.06	3.95	15.42	3.80	14.14	3.52
	7	6	19.36	4.25	18.08	4.01	16.80	3.76	16.06	3.64	15.42	3.52	14.14	3.28
9	7.9	19.36	4.18	18.08	3.96	16.80	3.74	16.06	3.63	15.42	3.52	14.14	3.31	
11	9.8	19.36	4.12	18.08	3.92	16.80	3.72	16.06	3.62	15.42	3.53	14.14	3.33	
13	11.8	19.36	4.06	18.08	3.89	16.80	3.72	16.06	3.62	15.42	3.53	14.14	3.37	
15	13.7	19.36	4.05	18.08	3.89	16.80	3.73	16.06	3.65	15.42	3.58	14.14	3.42	
25%	-25	-25.4	9.66	3.26	9.04	3.00	8.38	2.76	8.06	2.64	7.71	2.52	7.09	2.29
	-19.8	-20	9.66	3.19	9.04	2.94	8.38	2.70	8.06	2.58	7.71	2.47	7.09	2.25
	-18.8	-19	9.66	3.16	9.04	2.91	8.38	2.68	8.06	2.56	7.71	2.45	7.09	2.23
	-16.7	-17	9.66	3.09	9.04	2.85	8.38	2.63	8.06	2.51	7.71	2.40	7.09	2.19
	-13.7	-15	9.66	3.03	9.04	2.80	8.38	2.58	8.06	2.47	7.71	2.36	7.09	2.15
	-11.8	-13	9.66	2.97	9.04	2.75	8.38	2.53	8.06	2.42	7.71	2.31	7.09	2.11
	-9.8	-11	9.66	2.92	9.04	2.70	8.38	2.48	8.06	2.38	7.71	2.27	7.09	2.07
	-9.5	-10	9.66	2.89	9.04	2.67	8.38	2.46	8.06	2.36	7.71	2.26	7.09	2.05
	-8.5	-9.1	9.66	2.87	9.04	2.65	8.38	2.44	8.06	2.34	7.71	2.24	7.09	2.04
	-7	-7.6	9.66	2.83	9.04	2.62	8.38	2.41	8.06	2.31	7.71	2.21	7.09	2.01
	-5	-5.6	9.66	2.75	9.04	2.55	8.38	2.35	8.06	2.26	7.71	2.16	7.09	1.97
	-3	-3.7	9.66	2.85	9.04	2.64	8.38	2.43	8.06	2.34	7.71	2.24	7.09	2.05
	0	-0.7	9.66	3.00	9.04	2.78	8.38	2.57	8.06	2.46	7.71	2.36	7.09	2.15
	3	2.2	9.66	2.62	9.04	2.43	8.38	2.25	8.06	2.16	7.71	2.07	7.09	1.90
	5	4.1	9.66	2.45	9.04	2.28	8.38	2.12	8.06	2.05	7.71	1.97	7.09	1.81
	7	6	9.66	2.20	9.04	2.06	8.38	1.93	8.06	1.86	7.71	1.79	7.09	1.67
9	7.9	9.66	2.13	9.04	2.00	8.38	1.88	8.06	1.83	7.71	1.77	7.09	1.65	
11	9.8	9.66	2.06	9.04	1.96	8.38	1.85	8.06	1.80	7.71	1.75	7.09	1.64	
13	11.8	9.66	2.01	9.04	1.92	8.38	1.83	8.06	1.78	7.71	1.73	7.09	1.64	
15	13.7	9.66	1.98	9.04	1.89	8.38	1.81	8.06	1.77	7.71	1.73	7.09	1.64	

Abbreviations:

TC: Total capacity (kW)

PI: Power input (compressor + outdoor fan motor) (kW)



Table 2-8.44: 14HP heating part load performance

Part load	Outdoor air temp.		Indoor air temp. °C DB											
			16.0		18.0		20.0		21.0		22.0		24.0	
	°C DB	°C WB	TC	PI	TC	PI	TC	PI	TC	PI	TC	PI	TC	PI
100%	-25	-25.4	32.51	11.05	32.38	11.16	32.25	11.28	32.25	11.35	32.25	11.42	32.13	11.56
	-19.8	-20	32.76	11.05	32.63	11.17	32.51	11.29	32.51	11.36	32.51	11.43	32.38	11.56
	-18.8	-19	33.27	11.08	33.14	11.20	33.02	11.32	33.02	11.38	33.02	11.44	32.89	11.58
	-16.7	-17	33.78	11.09	33.65	11.21	33.65	11.34	33.52	11.40	33.52	11.47	33.40	11.34
	-13.7	-15	34.29	11.12	34.16	11.23	34.16	11.36	34.03	11.42	34.03	11.48	33.90	11.11
	-11.8	-13	34.79	11.13	34.67	11.25	34.67	11.38	34.54	11.44	34.54	11.50	33.90	10.89
	-9.8	-11	35.05	11.15	35.05	11.27	34.92	11.39	34.92	11.44	34.79	11.51	33.90	10.78
	-9.5	-10	35.30	11.16	35.17	11.27	35.17	11.39	35.05	11.46	35.05	11.52	33.90	10.69
	-8.5	-9.1	35.68	11.17	35.68	11.28	35.56	11.40	35.43	11.47	35.43	11.54	33.90	10.54
	-7	-7.6	38.48	11.19	38.35	11.29	38.35	11.41	38.22	11.89	36.95	11.31	33.90	10.20
	-5	-5.6	38.98	11.20	38.86	11.29	38.86	11.41	38.48	12.29	36.95	11.70	33.90	10.55
	-3	-3.7	39.75	11.21	39.62	11.30	39.62	11.04	38.48	11.56	36.95	12.29	33.90	11.09
	0	-0.7	40.76	11.23	43.05	11.31	40.00	10.73	38.48	12.16	36.95	11.59	33.90	10.42
	3	2.2	43.43	11.93	43.05	11.03	40.00	10.42	38.48	11.19	36.95	10.67	33.90	9.65
	5	4.1	46.10	11.31	43.05	10.49	40.00	9.93	38.48	10.22	36.95	9.76	33.90	8.88
	7	6	46.10	10.69	43.05	9.95	40.00	9.30	38.48	8.94	36.95	8.56	33.90	7.84
	9	7.9	46.10	10.08	43.05	9.42	40.00	8.76	38.48	8.44	36.95	8.11	33.90	7.48
11	9.8	46.10	9.43	43.05	8.84	40.00	8.28	38.48	7.99	36.95	7.71	33.90	7.16	
13	11.8	46.10	8.84	43.05	8.34	40.00	7.84	38.48	7.60	36.95	7.36	33.90	6.87	
15	13.7	46.10	8.41	43.05	7.98	40.00	7.53	38.48	7.32	36.95	7.10	33.90	6.67	
75%	-25	-25.4	34.27	12.06	32.18	11.09	30.01	10.16	28.78	9.70	27.70	9.26	25.39	8.38
	-19.8	-20	34.22	11.81	32.18	10.87	30.01	9.96	28.78	9.51	27.70	9.07	25.39	8.21
	-18.8	-19	34.49	11.68	32.18	10.75	30.01	9.85	28.78	9.41	27.70	8.99	25.39	8.14
	-16.7	-17	34.49	11.44	32.18	10.54	30.01	9.67	28.78	9.23	27.70	8.81	25.39	7.99
	-13.7	-15	34.49	11.22	32.18	10.33	30.01	9.47	28.78	9.06	27.70	8.64	25.39	7.83
	-11.8	-13	34.49	10.99	32.18	10.13	30.01	9.30	28.78	8.88	27.70	8.48	25.39	7.69
	-9.8	-11	34.49	10.78	32.18	9.93	30.01	9.12	28.78	8.72	27.70	8.33	25.39	7.55
	-9.5	-10	34.49	10.68	32.18	9.85	30.01	9.03	28.78	8.64	27.70	8.24	25.39	7.49
	-8.5	-9.1	34.49	10.58	32.18	9.76	30.01	8.96	28.78	8.57	27.70	8.18	25.39	7.42
	-7	-7.6	34.49	10.44	32.18	9.62	30.01	8.83	28.78	8.45	27.70	8.07	25.39	7.32
	-5	-5.6	34.49	10.12	32.18	9.34	30.01	8.59	28.78	8.23	27.70	7.86	25.39	7.15
	-3	-3.7	34.49	10.47	32.18	9.67	30.01	8.89	28.78	8.51	27.70	8.14	25.39	7.41
	0	-0.7	34.49	11.01	32.18	10.17	30.01	9.36	28.78	8.96	27.70	8.57	25.39	7.80
	3	2.2	34.49	9.58	32.18	8.88	30.01	8.18	28.78	7.85	27.70	7.51	25.39	6.86
	5	4.1	34.49	8.85	32.18	8.24	30.01	7.63	28.78	7.34	27.70	7.04	25.39	6.46
	7	6	34.49	7.85	32.18	7.34	30.01	6.84	28.78	6.59	27.70	6.35	25.39	5.87
	9	7.9	34.49	7.51	32.18	7.06	30.01	6.62	28.78	7.82	27.70	6.18	25.39	5.76
11	9.8	34.49	7.21	32.18	6.82	30.01	6.42	28.78	6.24	27.70	6.04	25.39	5.66	
13	11.8	34.49	6.94	32.18	6.60	30.01	6.25	28.78	6.08	27.70	5.91	25.39	5.57	
15	13.7	34.49	6.76	32.18	6.45	30.01	6.15	28.78	6.00	27.70	5.84	25.39	5.55	

Abbreviations:

TC: Total capacity (kW)

PI: Power input (compressor + outdoor fan motor) (kW)

Table continued on next page ...

Table 2-8.44: 14HP heating part load performance (continued)

Part load	Outdoor air temp.		Indoor air temp. °C DB											
			16.0		18.0		20.0		21.0		22.0		24.0	
	°C DB	°C WB	TC	PI	TC	PI	TC	PI	TC	PI	TC	PI	TC	PI
50%	-25	-25.4	23.11	7.36	21.59	6.82	20.06	6.29	19.17	6.59	18.41	5.78	16.89	5.28
	-19.8	-20	23.11	7.23	21.59	6.71	20.06	6.18	19.17	5.94	18.41	5.68	16.89	5.20
	-18.8	-19	23.11	7.17	21.59	6.64	20.06	6.13	19.17	7.15	18.41	5.63	16.89	5.14
	-16.7	-17	23.11	7.03	21.59	6.51	20.06	6.02	19.17	5.77	18.41	5.53	16.89	5.06
	-13.7	-15	23.11	6.90	21.59	6.40	20.06	5.91	19.17	5.67	18.41	5.44	16.89	4.97
	-11.8	-13	23.11	6.77	21.59	6.28	20.06	5.81	19.17	5.57	18.41	5.34	16.89	4.89
	-9.8	-11	23.11	6.65	21.59	6.18	20.06	5.71	19.17	5.48	18.41	5.25	16.89	4.80
	-9.5	-10	23.11	6.59	21.59	6.12	20.06	5.66	19.17	5.43	18.41	5.21	16.89	4.76
	-8.5	-9.1	23.11	6.54	21.59	6.08	20.06	5.62	19.17	5.39	18.41	5.17	16.89	4.74
	-7	-7.6	23.11	6.46	21.59	6.00	20.06	5.54	19.17	5.32	18.41	5.11	16.89	4.67
	-5	-5.6	23.11	6.31	21.59	5.86	20.06	5.43	19.17	5.22	18.41	5.00	16.89	4.59
	-3	-3.7	23.11	6.54	21.59	6.08	20.06	5.63	19.17	5.41	18.41	5.20	16.89	4.76
	0	-0.7	23.11	6.89	21.59	6.40	20.06	5.94	19.17	5.71	18.41	5.48	16.89	5.03
	3	2.2	23.11	6.05	21.59	5.64	20.06	5.23	19.17	5.04	18.41	4.84	16.89	4.45
	5	4.1	23.11	5.72	21.59	5.35	20.06	5.00	19.17	4.82	18.41	4.65	16.89	4.30
	7	6	23.11	5.20	21.59	4.90	20.06	4.59	19.17	4.45	18.41	4.30	16.89	4.01
9	7.9	23.11	5.11	21.59	4.84	20.06	4.57	19.17	4.44	18.41	4.30	16.89	4.04	
11	9.8	23.11	5.03	21.59	4.79	20.06	4.54	19.17	4.43	18.41	4.31	16.89	4.07	
13	11.8	23.11	4.97	21.59	4.75	20.06	4.54	19.17	4.43	18.41	4.31	16.89	4.12	
15	13.7	23.11	4.95	21.59	4.75	20.06	4.56	19.17	4.47	18.41	4.38	16.89	4.18	
25%	-25	-25.4	11.53	3.98	10.79	3.67	10.00	3.37	9.63	3.22	9.21	3.08	8.47	2.80
	-19.8	-20	11.53	3.90	10.79	3.60	10.00	3.30	9.63	3.16	9.21	3.02	8.47	2.75
	-18.8	-19	11.53	3.86	10.79	3.56	10.00	3.27	9.63	3.13	9.21	2.99	8.47	2.72
	-16.7	-17	11.53	3.78	10.79	3.49	10.00	3.21	9.63	3.07	9.21	2.94	8.47	2.67
	-13.7	-15	11.53	3.71	10.79	3.42	10.00	3.15	9.63	3.01	9.21	2.88	8.47	2.62
	-11.8	-13	11.53	3.63	10.79	3.36	10.00	3.09	9.63	2.96	9.21	2.83	8.47	2.58
	-9.8	-11	11.53	3.57	10.79	3.30	10.00	3.04	9.63	2.91	9.21	2.78	8.47	2.53
	-9.5	-10	11.53	3.53	10.79	3.27	10.00	3.01	9.63	2.88	9.21	2.76	8.47	2.51
	-8.5	-9.1	11.53	3.51	10.79	3.24	10.00	2.99	9.63	2.86	9.21	2.73	8.47	2.49
	-7	-7.6	11.53	3.46	10.79	3.20	10.00	2.95	9.63	2.82	9.21	2.70	8.47	2.46
	-5	-5.6	11.53	3.36	10.79	3.11	10.00	2.87	9.63	2.76	9.21	2.64	8.47	2.41
	-3	-3.7	11.53	3.48	10.79	3.23	10.00	2.97	9.63	2.86	9.21	2.73	8.47	2.50
	0	-0.7	11.53	3.66	10.79	3.39	10.00	3.14	9.63	3.01	9.21	2.88	8.47	2.63
	3	2.2	11.53	3.20	10.79	2.97	10.00	2.75	9.63	2.64	9.21	2.53	8.47	2.32
	5	4.1	11.53	2.99	10.79	2.79	10.00	2.59	9.63	2.50	9.21	2.40	8.47	2.21
	7	6	11.53	2.68	10.79	2.52	10.00	2.35	9.63	2.27	9.21	2.19	8.47	2.04
9	7.9	11.53	2.60	10.79	2.45	10.00	2.30	9.63	2.23	9.21	2.16	8.47	2.02	
11	9.8	11.53	2.52	10.79	2.39	10.00	2.26	9.63	2.20	9.21	2.14	8.47	2.01	
13	11.8	11.53	2.46	10.79	2.34	10.00	2.23	9.63	2.17	9.21	2.11	8.47	2.00	
15	13.7	11.53	2.42	10.79	2.31	10.00	2.21	9.63	2.16	9.21	2.11	8.47	2.01	

Abbreviations:

TC: Total capacity (kW)

PI: Power input (compressor + outdoor fan motor) (kW)

Table 2-8.45: 16HP heating part load performance

Part load	Outdoor air temp.		Indoor air temp. °C DB											
			16.0		18.0		20.0		21.0		22.0		24.0	
	°C DB	°C WB	TC kW	PI kW	TC kW	PI kW	TC kW	PI kW	TC kW	PI kW	TC kW	PI kW	TC kW	PI kW
100%	-25	-25.4	36.57	11.66	36.43	11.78	36.29	11.92	36.29	12.00	36.29	12.08	36.14	12.25
	-19.8	-20	36.86	11.66	36.71	11.80	36.57	11.94	36.57	12.01	36.57	12.09	36.43	12.25
	-18.8	-19	37.43	11.69	37.29	11.83	37.14	11.97	37.14	12.03	37.14	12.11	37.00	12.26
	-16.7	-17	38.00	11.70	37.86	11.84	37.86	11.98	37.71	12.06	37.71	12.14	37.57	11.98
	-13.7	-15	38.57	11.73	38.43	11.86	38.43	12.01	38.29	12.08	38.29	12.15	38.14	11.72
	-11.8	-13	39.14	11.75	39.00	11.89	39.00	12.03	38.86	12.11	38.86	12.17	38.14	11.47
	-9.8	-11	39.43	11.77	39.43	11.91	39.29	12.04	39.29	12.11	39.14	12.18	38.14	11.35
	-9.5	-10	39.71	11.78	39.57	11.91	39.57	12.04	39.43	12.12	39.43	12.20	38.14	11.24
	-8.5	-9.1	40.14	11.80	40.14	11.92	40.00	12.06	39.86	12.14	39.86	12.22	38.14	11.07
	-7	-7.6	43.29	11.81	43.14	11.93	43.14	12.07	43.00	12.62	41.57	11.95	38.14	10.68
	-5	-5.6	43.86	11.83	43.71	11.93	43.71	12.07	43.29	13.08	41.57	12.40	38.14	11.08
	-3	-3.7	44.71	11.84	44.57	11.94	44.57	11.64	43.29	12.25	41.57	13.08	38.14	11.70
	0	-0.7	45.86	11.86	48.43	11.95	45.00	11.29	43.29	12.93	41.57	12.28	38.14	10.93
	3	2.2	48.86	12.67	48.43	11.63	45.00	10.93	43.29	11.81	41.57	11.22	38.14	10.04
	5	4.1	51.86	11.96	48.43	12.08	45.00	11.44	43.29	11.77	41.57	11.24	38.14	10.23
7	6	51.86	12.31	48.43	11.46	45.00	10.71	43.29	10.29	41.57	9.86	38.14	9.03	
9	7.9	51.86	11.61	48.43	10.85	45.00	10.09	43.29	9.72	41.57	9.34	38.14	8.61	
11	9.8	51.86	10.87	48.43	10.18	45.00	9.53	43.29	9.20	41.57	8.88	38.14	8.24	
13	11.8	51.86	10.18	48.43	9.61	45.00	9.03	43.29	8.75	41.57	8.47	38.14	7.92	
15	13.7	51.86	9.69	48.43	9.19	45.00	8.68	43.29	8.43	41.57	8.18	38.14	7.68	
75%	-25	-25.4	38.55	13.89	36.20	12.77	33.76	11.70	32.38	11.18	31.16	10.66	28.56	9.65
	-19.8	-20	38.49	13.60	36.20	12.51	33.76	11.47	32.38	10.95	31.16	10.45	28.56	9.46
	-18.8	-19	38.80	13.46	36.20	12.38	33.76	11.34	32.38	10.84	31.16	10.35	28.56	9.38
	-16.7	-17	38.80	13.18	36.20	12.14	33.76	11.13	32.38	10.63	31.16	10.14	28.56	9.20
	-13.7	-15	38.80	12.92	36.20	11.90	33.76	10.90	32.38	10.43	31.16	9.95	28.56	9.02
	-11.8	-13	38.80	12.66	36.20	11.67	33.76	10.71	32.38	10.22	31.16	9.77	28.56	8.86
	-9.8	-11	38.80	12.42	36.20	11.44	33.76	10.50	32.38	10.04	31.16	9.59	28.56	8.69
	-9.5	-10	38.80	12.30	36.20	11.34	33.76	10.40	32.38	9.95	31.16	9.49	28.56	8.63
	-8.5	-9.1	38.80	12.19	36.20	11.25	33.76	10.32	32.38	9.86	31.16	9.43	28.56	8.55
	-7	-7.6	38.80	12.03	36.20	11.08	33.76	10.17	32.38	9.73	31.16	9.30	28.56	8.43
	-5	-5.6	38.80	11.65	36.20	10.76	33.76	9.90	32.38	9.47	31.16	9.05	28.56	8.24
	-3	-3.7	38.80	12.06	36.20	11.13	33.76	10.24	32.38	9.80	31.16	9.38	28.56	8.53
	0	-0.7	38.80	12.68	36.20	11.72	33.76	10.77	32.38	10.32	31.16	9.86	28.56	8.99
	3	2.2	38.80	11.03	36.20	10.22	33.76	9.43	32.38	9.04	31.16	8.65	28.56	7.90
	5	4.1	38.80	10.19	36.20	9.49	33.76	8.79	32.38	8.45	31.16	8.11	28.56	7.44
7	6	38.80	9.04	36.20	8.45	33.76	7.88	32.38	7.59	31.16	7.31	28.56	6.76	
9	7.9	38.80	8.65	36.20	8.13	33.76	7.62	32.38	9.00	31.16	7.12	28.56	6.63	
11	9.8	38.80	8.30	36.20	7.85	33.76	7.39	32.38	7.18	31.16	6.96	28.56	6.52	
13	11.8	38.80	8.00	36.20	7.61	33.76	7.20	32.38	7.00	31.16	6.81	28.56	6.42	
15	13.7	38.80	7.78	36.20	7.43	33.76	7.09	32.38	6.91	31.16	6.73	28.56	6.39	

Abbreviations:

TC: Total capacity (kW)

PI: Power input (compressor + outdoor fan motor) (kW)

Table continued on next page ...

Table 2-8.45: 16HP heating part load performance (continued)

Part load	Outdoor air temp.		Indoor air temp. °C DB											
			16.0		18.0		20.0		21.0		22.0		24.0	
	°C DB	°C WB	TC kW	PI kW	TC kW	PI kW	TC kW	PI kW	TC kW	PI kW	TC kW	PI kW	TC kW	PI kW
50%	-25	-25.4	26.00	8.48	24.29	7.86	22.57	7.24	21.57	7.58	20.71	6.66	19.00	6.08
	-19.8	-20	26.00	8.33	24.29	7.72	22.57	7.12	21.57	6.84	20.71	6.54	19.00	5.98
	-18.8	-19	26.00	8.25	24.29	7.65	22.57	7.06	21.57	8.24	20.71	6.48	19.00	5.92
	-16.7	-17	26.00	8.09	24.29	7.50	22.57	6.93	21.57	6.65	20.71	6.37	19.00	5.82
	-13.7	-15	26.00	7.94	24.29	7.37	22.57	6.81	21.57	6.53	20.71	6.26	19.00	5.72
	-11.8	-13	26.00	7.80	24.29	7.24	22.57	6.69	21.57	6.41	20.71	6.15	19.00	5.63
	-9.8	-11	26.00	7.66	24.29	7.12	22.57	6.57	21.57	6.31	20.71	6.04	19.00	5.53
	-9.5	-10	26.00	7.59	24.29	7.04	22.57	6.51	21.57	6.25	20.71	6.00	19.00	5.48
	-8.5	-9.1	26.00	7.53	24.29	7.00	22.57	6.47	21.57	6.20	20.71	5.95	19.00	5.45
	-7	-7.6	26.00	7.44	24.29	6.91	22.57	6.38	21.57	6.13	20.71	5.88	19.00	5.38
	-5	-5.6	26.00	7.27	24.29	6.75	22.57	6.25	21.57	6.01	20.71	5.76	19.00	5.29
	-3	-3.7	26.00	7.53	24.29	7.00	22.57	6.48	21.57	6.23	20.71	5.98	19.00	5.48
	0	-0.7	26.00	7.93	24.29	7.37	22.57	6.84	21.57	6.57	20.71	6.31	19.00	5.79
	3	2.2	26.00	6.97	24.29	6.50	22.57	6.03	21.57	5.81	20.71	5.57	19.00	5.13
	5	4.1	26.00	6.59	24.29	6.16	22.57	5.76	21.57	5.56	20.71	5.35	19.00	4.95
	7	6	26.00	5.98	24.29	5.64	22.57	5.29	21.57	5.13	20.71	4.95	19.00	4.61
9	7.9	26.00	5.88	24.29	5.57	22.57	5.26	21.57	5.11	20.71	4.95	19.00	4.66	
11	9.8	26.00	5.79	24.29	5.51	22.57	5.23	21.57	5.10	20.71	4.97	19.00	4.69	
13	11.8	26.00	5.72	24.29	5.47	22.57	5.23	21.57	5.10	20.71	4.97	19.00	4.75	
15	13.7	26.00	5.70	24.29	5.47	22.57	5.25	21.57	5.14	20.71	5.04	19.00	4.82	
25%	-25	-25.4	12.98	4.58	12.14	4.23	11.25	3.88	10.83	3.71	10.36	3.55	9.52	3.22
	-19.8	-20	12.98	4.49	12.14	4.14	11.25	3.81	10.83	3.64	10.36	3.48	9.52	3.16
	-18.8	-19	12.98	4.44	12.14	4.10	11.25	3.77	10.83	3.61	10.36	3.44	9.52	3.14
	-16.7	-17	12.98	4.35	12.14	4.02	11.25	3.70	10.83	3.53	10.36	3.38	9.52	3.08
	-13.7	-15	12.98	4.27	12.14	3.94	11.25	3.63	10.83	3.47	10.36	3.32	9.52	3.02
	-11.8	-13	12.98	4.19	12.14	3.87	11.25	3.56	10.83	3.41	10.36	3.26	9.52	2.97
	-9.8	-11	12.98	4.11	12.14	3.80	11.25	3.50	10.83	3.35	10.36	3.20	9.52	2.92
	-9.5	-10	12.98	4.07	12.14	3.76	11.25	3.46	10.83	3.32	10.36	3.17	9.52	2.89
	-8.5	-9.1	12.98	4.04	12.14	3.73	11.25	3.44	10.83	3.29	10.36	3.15	9.52	2.87
	-7	-7.6	12.98	3.98	12.14	3.68	11.25	3.39	10.83	3.25	10.36	3.11	9.52	2.83
	-5	-5.6	12.98	3.87	12.14	3.59	11.25	3.31	10.83	3.17	10.36	3.04	9.52	2.78
	-3	-3.7	12.98	4.01	12.14	3.72	11.25	3.43	10.83	3.29	10.36	3.15	9.52	2.88
	0	-0.7	12.98	4.22	12.14	3.91	11.25	3.61	10.83	3.46	10.36	3.32	9.52	3.03
	3	2.2	12.98	3.69	12.14	3.43	11.25	3.17	10.83	3.05	10.36	2.92	9.52	2.67
	5	4.1	12.98	3.44	12.14	3.21	11.25	2.99	10.83	2.88	10.36	2.77	9.52	2.55
	7	6	12.98	3.09	12.14	2.90	11.25	2.71	10.83	2.61	10.36	2.52	9.52	2.34
9	7.9	12.98	2.99	12.14	2.82	11.25	2.65	10.83	2.57	10.36	2.49	9.52	2.32	
11	9.8	12.98	2.90	12.14	2.76	11.25	2.61	10.83	2.53	10.36	2.46	9.52	2.31	
13	11.8	12.98	2.83	12.14	2.70	11.25	2.57	10.83	2.50	10.36	2.43	9.52	2.31	
15	13.7	12.98	2.79	12.14	2.67	11.25	2.55	10.83	2.49	10.36	2.43	9.52	2.31	

Abbreviations:

TC: Total capacity (kW)

PI: Power input (compressor + outdoor fan motor) (kW)

Table 2-8.46: 18HP heating part load performance

Part load	Outdoor air temp.		Indoor air temp. °C DB											
			16.0		18.0		20.0		21.0		22.0		24.0	
	°C DB	°C WB	TC	PI	TC	PI	TC	PI	TC	PI	TC	PI	TC	PI
100%	-25	-25.4	40.63	14.50	40.48	14.64	40.32	14.80	40.32	14.89	40.32	14.98	40.16	15.17
	-19.8	-20	40.95	14.50	40.79	14.66	40.63	14.82	40.63	14.91	40.63	14.99	40.48	15.17
	-18.8	-19	41.59	14.53	41.43	14.69	41.27	14.85	41.27	14.92	41.27	15.01	41.11	15.19
	-16.7	-17	42.22	14.55	42.06	14.71	42.06	14.87	41.90	14.96	41.90	15.05	41.75	14.87
	-13.7	-15	42.86	14.59	42.70	14.73	42.70	14.91	42.54	14.98	42.54	15.06	42.38	14.57
	-11.8	-13	43.49	14.60	43.33	14.76	43.33	14.92	43.17	15.01	43.17	15.08	42.38	14.29
	-9.8	-11	43.81	14.62	43.81	14.78	43.65	14.94	43.65	15.01	43.49	15.10	42.38	14.14
	-9.5	-10	44.13	14.64	43.97	14.78	43.97	14.94	43.81	15.03	43.81	15.12	42.38	14.02
	-8.5	-9.1	44.60	14.66	44.60	14.80	44.44	14.96	44.29	15.05	44.29	15.14	42.38	13.83
	-7	-7.6	48.10	14.68	47.94	14.81	47.94	14.96	47.78	15.59	46.19	14.83	42.38	13.38
	-5	-5.6	48.73	14.69	48.57	14.81	48.57	14.97	48.10	16.13	46.19	15.35	42.38	13.84
	-3	-3.7	49.68	14.71	49.52	14.82	49.52	14.48	48.10	15.17	46.19	16.13	42.38	14.55
	0	-0.7	50.95	14.73	53.81	14.83	50.00	14.08	48.10	15.95	46.19	15.21	42.38	13.67
	3	2.2	54.29	15.65	53.81	14.46	50.00	13.67	48.10	14.68	46.19	14.00	42.38	12.66
	5	4.1	57.62	14.84	53.81	13.76	50.00	13.03	48.10	13.40	46.19	12.80	42.38	11.65
	7	6	57.62	14.03	53.81	13.05	50.00	12.20	48.10	11.72	46.19	11.23	42.38	10.29
	9	7.9	57.62	13.23	53.81	12.36	50.00	11.49	48.10	11.07	46.19	10.64	42.38	9.81
11	9.8	57.62	12.38	53.81	11.60	50.00	10.86	48.10	10.48	46.19	10.11	42.38	9.39	
13	11.8	57.62	11.60	53.81	10.94	50.00	10.29	48.10	9.97	46.19	9.65	42.38	9.02	
15	13.7	57.62	11.03	53.81	10.47	50.00	9.88	48.10	9.60	46.19	9.32	42.38	8.75	
75%	-25	-25.4	42.84	15.82	40.22	14.55	37.51	13.33	35.98	12.73	34.62	12.15	31.74	10.99
	-19.8	-20	42.77	15.49	40.22	14.25	37.51	13.07	35.98	12.48	34.62	11.90	31.74	10.77
	-18.8	-19	43.11	15.33	40.22	14.11	37.51	12.92	35.98	12.35	34.62	11.79	31.74	10.68
	-16.7	-17	43.11	15.01	40.22	13.83	37.51	12.68	35.98	12.11	34.62	11.55	31.74	10.48
	-13.7	-15	43.11	14.72	40.22	13.55	37.51	12.42	35.98	11.88	34.62	11.33	31.74	10.27
	-11.8	-13	43.11	14.42	40.22	13.29	37.51	12.20	35.98	11.64	34.62	11.13	31.74	10.09
	-9.8	-11	43.11	14.14	40.22	13.03	37.51	11.96	35.98	11.44	34.62	10.92	31.74	9.90
	-9.5	-10	43.11	14.01	40.22	12.92	37.51	11.85	35.98	11.33	34.62	10.81	31.74	9.83
	-8.5	-9.1	43.11	13.88	40.22	12.81	37.51	11.75	35.98	11.24	34.62	10.74	31.74	9.74
	-7	-7.6	43.11	13.70	40.22	12.62	37.51	11.59	35.98	11.09	34.62	10.59	31.74	9.61
	-5	-5.6	43.11	13.27	40.22	12.25	37.51	11.27	35.98	10.79	34.62	10.31	31.74	9.39
	-3	-3.7	43.11	13.74	40.22	12.68	37.51	11.66	35.98	11.16	34.62	10.68	31.74	9.72
	0	-0.7	43.11	14.44	40.22	13.35	37.51	12.27	35.98	11.75	34.62	11.24	31.74	10.24
	3	2.2	43.11	12.57	40.22	11.64	37.51	10.74	35.98	10.29	34.62	9.85	31.74	9.00
	5	4.1	43.11	11.61	40.22	10.81	37.51	10.01	35.98	9.63	34.62	9.24	31.74	8.48
	7	6	43.11	10.29	40.22	9.63	37.51	8.98	35.98	8.64	34.62	8.33	31.74	7.70
	9	7.9	43.11	9.85	40.22	9.26	37.51	8.68	35.98	10.26	34.62	8.11	31.74	7.55
11	9.8	43.11	9.46	40.22	8.94	37.51	8.42	35.98	8.18	34.62	7.92	31.74	7.42	
13	11.8	43.11	9.11	40.22	8.66	37.51	8.20	35.98	7.98	34.62	7.76	31.74	7.31	
15	13.7	43.11	8.87	40.22	8.46	37.51	8.07	35.98	7.87	34.62	7.66	31.74	7.27	

Abbreviations:

TC: Total capacity (kW)

PI: Power input (compressor + outdoor fan motor) (kW)

Table continued on next page ...

Table 2-8.46: 18HP heating part load performance (continued)

Part load	Outdoor air temp.		Indoor air temp. °C DB											
			16.0		18.0		20.0		21.0		22.0		24.0	
	°C DB	°C WB	TC	PI	TC	PI	TC	PI	TC	PI	TC	PI	TC	PI
50%	-25	-25.4	28.89	9.66	26.98	8.95	25.08	8.25	23.97	8.64	23.02	7.58	21.11	6.93
	-19.8	-20	28.89	9.49	26.98	8.80	25.08	8.11	23.97	7.79	23.02	7.45	21.11	6.82
	-18.8	-19	28.89	9.40	26.98	8.71	25.08	8.04	23.97	9.38	23.02	7.39	21.11	6.75
	-16.7	-17	28.89	9.22	26.98	8.55	25.08	7.89	23.97	7.57	23.02	7.25	21.11	6.63
	-13.7	-15	28.89	9.05	26.98	8.39	25.08	7.76	23.97	7.44	23.02	7.14	21.11	6.51
	-11.8	-13	28.89	8.88	26.98	8.24	25.08	7.62	23.97	7.30	23.02	7.00	21.11	6.41
	-9.8	-11	28.89	8.73	26.98	8.11	25.08	7.49	23.97	7.19	23.02	6.88	21.11	6.30
	-9.5	-10	28.89	8.65	26.98	8.03	25.08	7.42	23.97	7.12	23.02	6.83	21.11	6.25
	-8.5	-9.1	28.89	8.58	26.98	7.97	25.08	7.37	23.97	7.07	23.02	6.78	21.11	6.21
	-7	-7.6	28.89	8.48	26.98	7.87	25.08	7.27	23.97	6.98	23.02	6.70	21.11	6.13
	-5	-5.6	28.89	8.28	26.98	7.69	25.08	7.12	23.97	6.85	23.02	6.56	21.11	6.03
	-3	-3.7	28.89	8.58	26.98	7.97	25.08	7.39	23.97	7.10	23.02	6.82	21.11	6.25
	0	-0.7	28.89	9.03	26.98	8.39	25.08	7.79	23.97	7.49	23.02	7.19	21.11	6.60
	3	2.2	28.89	7.94	26.98	7.40	25.08	6.87	23.97	6.61	23.02	6.35	21.11	5.84
	5	4.1	28.89	7.50	26.98	7.02	25.08	6.56	23.97	6.33	23.02	6.09	21.11	5.64
	7	6	28.89	6.82	26.98	6.43	25.08	6.03	23.97	5.84	23.02	5.64	21.11	5.25
9	7.9	28.89	6.70	26.98	6.35	25.08	5.99	23.97	5.83	23.02	5.64	21.11	5.31	
11	9.8	28.89	6.60	26.98	6.28	25.08	5.96	23.97	5.81	23.02	5.66	21.11	5.34	
13	11.8	28.89	6.51	26.98	6.23	25.08	5.96	23.97	5.81	23.02	5.66	21.11	5.41	
15	13.7	28.89	6.50	26.98	6.23	25.08	5.98	23.97	5.86	23.02	5.74	21.11	5.49	
25%	-25	-25.4	14.42	5.22	13.49	4.81	12.50	4.42	12.04	4.23	11.51	4.04	10.58	3.67
	-19.8	-20	14.42	5.11	13.49	4.72	12.50	4.33	12.04	4.14	11.51	3.96	10.58	3.60
	-18.8	-19	14.42	5.06	13.49	4.67	12.50	4.29	12.04	4.11	11.51	3.92	10.58	3.57
	-16.7	-17	14.42	4.96	13.49	4.58	12.50	4.21	12.04	4.03	11.51	3.85	10.58	3.51
	-13.7	-15	14.42	4.86	13.49	4.49	12.50	4.13	12.04	3.95	11.51	3.78	10.58	3.44
	-11.8	-13	14.42	4.77	13.49	4.41	12.50	4.06	12.04	3.88	11.51	3.71	10.58	3.38
	-9.8	-11	14.42	4.68	13.49	4.33	12.50	3.98	12.04	3.81	11.51	3.65	10.58	3.32
	-9.5	-10	14.42	4.64	13.49	4.28	12.50	3.95	12.04	3.78	11.51	3.62	10.58	3.29
	-8.5	-9.1	14.42	4.60	13.49	4.25	12.50	3.92	12.04	3.75	11.51	3.59	10.58	3.27
	-7	-7.6	14.42	4.53	13.49	4.20	12.50	3.87	12.04	3.70	11.51	3.54	10.58	3.23
	-5	-5.6	14.42	4.41	13.49	4.09	12.50	3.77	12.04	3.62	11.51	3.46	10.58	3.16
	-3	-3.7	14.42	4.57	13.49	4.23	12.50	3.90	12.04	3.75	11.51	3.59	10.58	3.28
	0	-0.7	14.42	4.80	13.49	4.45	12.50	4.11	12.04	3.95	11.51	3.78	10.58	3.45
	3	2.2	14.42	4.20	13.49	3.90	12.50	3.61	12.04	3.47	11.51	3.32	10.58	3.04
	5	4.1	14.42	3.92	13.49	3.66	12.50	3.40	12.04	3.28	11.51	3.15	10.58	2.90
	7	6	14.42	3.52	13.49	3.30	12.50	3.09	12.04	2.98	11.51	2.88	10.58	2.67
9	7.9	14.42	3.41	13.49	3.21	12.50	3.02	12.04	2.93	11.51	2.84	10.58	2.65	
11	9.8	14.42	3.31	13.49	3.14	12.50	2.97	12.04	2.88	11.51	2.80	10.58	2.63	
13	11.8	14.42	3.23	13.49	3.07	12.50	2.93	12.04	2.85	11.51	2.77	10.58	2.63	
15	13.7	14.42	3.18	13.49	3.04	12.50	2.90	12.04	2.84	11.51	2.77	10.58	2.63	

Abbreviations:

TC: Total capacity (kW)

PI: Power input (compressor + outdoor fan motor) (kW)

Table 2-8.47: 20HP heating part load performance

Part load	Outdoor air temp.		Indoor air temp. °C DB											
			16.0		18.0		20.0		21.0		22.0		24.0	
	°C DB	°C WB	TC	PI	TC	PI	TC	PI	TC	PI	TC	PI	TC	PI
100%	-25	-25.4	45.51	16.42	45.33	16.58	45.16	16.76	45.16	16.86	45.16	16.96	44.98	17.18
	-19.8	-20	45.87	16.42	45.69	16.60	45.51	16.78	45.51	16.88	45.51	16.98	45.33	17.18
	-18.8	-19	46.58	16.46	46.40	16.64	46.22	16.82	46.22	16.90	46.22	17.00	46.04	17.20
	-16.7	-17	47.29	16.48	47.11	16.66	47.11	16.84	46.93	16.94	46.93	17.04	46.76	16.84
	-13.7	-15	48.00	16.52	47.82	16.68	47.82	16.88	47.64	16.96	47.64	17.06	47.47	16.50
	-11.8	-13	48.71	16.54	48.53	16.72	48.53	16.90	48.36	17.00	48.36	17.08	47.47	16.18
	-9.8	-11	49.07	16.56	49.07	16.74	48.89	16.92	48.89	17.00	48.71	17.10	47.47	16.02
	-9.5	-10	49.42	16.58	49.24	16.74	49.24	16.92	49.07	17.02	49.07	17.12	47.47	15.88
	-8.5	-9.1	49.96	16.60	49.96	16.76	49.78	16.94	49.60	17.04	49.60	17.14	47.47	15.66
	-7	-7.6	53.87	16.62	53.69	16.77	53.69	16.95	53.51	17.67	51.73	16.80	47.47	15.16
	-5	-5.6	54.58	16.64	54.40	16.78	54.40	16.96	53.87	18.27	51.73	17.39	47.47	15.68
	-3	-3.7	55.64	16.66	55.47	16.79	55.47	16.40	53.87	17.18	51.73	18.27	47.47	16.48
	0	-0.7	57.07	16.68	60.27	16.80	56.00	15.95	53.87	18.07	51.73	17.22	47.47	15.48
	3	2.2	60.80	17.73	60.27	16.38	56.00	15.49	53.87	16.62	51.73	15.86	47.47	14.34
	5	4.1	64.53	16.81	60.27	15.58	56.00	14.76	53.87	15.18	51.73	14.50	47.47	13.20
	7	6	64.53	15.89	60.27	14.78	56.00	13.82	53.87	13.28	51.73	12.72	47.47	11.66
	9	7.9	64.53	14.98	60.27	14.00	56.00	13.02	53.87	12.54	51.73	12.06	47.47	11.12
11	9.8	64.53	14.02	60.27	13.14	56.00	12.30	53.87	11.88	51.73	11.46	47.47	10.64	
13	11.8	64.53	13.14	60.27	12.40	56.00	11.66	53.87	11.30	51.73	10.94	47.47	10.21	
15	13.7	64.53	12.50	60.27	11.86	56.00	11.20	53.87	10.88	51.73	10.56	47.47	9.91	
75%	-25	-25.4	47.98	17.92	45.05	16.48	42.01	15.10	40.30	14.42	38.78	13.76	35.55	12.45
	-19.8	-20	47.90	17.55	45.05	16.15	42.01	14.80	40.30	14.13	38.78	13.48	35.55	12.20
	-18.8	-19	48.28	17.36	45.05	15.98	42.01	14.64	40.30	13.99	38.78	13.36	35.55	12.10
	-16.7	-17	48.28	17.01	45.05	15.66	42.01	14.36	40.30	13.71	38.78	13.08	35.55	11.87
	-13.7	-15	48.28	16.67	45.05	15.35	42.01	14.07	40.30	13.46	38.78	12.83	35.55	11.64
	-11.8	-13	48.28	16.34	45.05	15.06	42.01	13.82	40.30	13.19	38.78	12.60	35.55	11.43
	-9.8	-11	48.28	16.02	45.05	14.76	42.01	13.55	40.30	12.96	38.78	12.37	35.55	11.22
	-9.5	-10	48.28	15.87	45.05	14.64	42.01	13.42	40.30	12.83	38.78	12.25	35.55	11.13
	-8.5	-9.1	48.28	15.73	45.05	14.51	42.01	13.32	40.30	12.73	38.78	12.16	35.55	11.03
	-7	-7.6	48.28	15.52	45.05	14.30	42.01	13.13	40.30	12.56	38.78	11.99	35.55	10.88
	-5	-5.6	48.28	15.03	45.05	13.88	42.01	12.77	40.30	12.23	38.78	11.68	35.55	10.63
	-3	-3.7	48.28	15.56	45.05	14.36	42.01	13.21	40.30	12.64	38.78	12.10	35.55	11.01
	0	-0.7	48.28	16.36	45.05	15.12	42.01	13.90	40.30	13.32	38.78	12.73	35.55	11.60
	3	2.2	48.28	14.24	45.05	13.19	42.01	12.16	40.30	11.66	38.78	11.16	35.55	10.19
	5	4.1	48.28	13.15	45.05	12.25	42.01	11.34	40.30	10.90	38.78	10.46	35.55	9.60
	7	6	48.28	11.66	45.05	10.90	42.01	10.17	40.30	9.79	38.78	9.44	35.55	8.72
	9	7.9	48.28	11.16	45.05	10.48	42.01	9.83	40.30	11.62	38.78	9.18	35.55	8.56
11	9.8	48.28	10.72	45.05	10.13	42.01	9.54	40.30	9.27	38.78	8.97	35.55	8.41	
13	11.8	48.28	10.32	45.05	9.81	42.01	9.29	40.30	9.04	38.78	8.79	35.55	8.28	
15	13.7	48.28	10.04	45.05	9.58	42.01	9.14	40.30	8.91	38.78	8.68	35.55	8.24	

Abbreviations:

TC: Total capacity (kW)

PI: Power input (compressor + outdoor fan motor) (kW)

Table continued on next page ...



Table 2-8.47: 20HP heating part load performance (continued)

Part load	Outdoor air temp.		Indoor air temp. °C DB											
			16.0		18.0		20.0		21.0		22.0		24.0	
	°C DB	°C WB	TC	PI	TC	PI	TC	PI	TC	PI	TC	PI	TC	PI
50%	-25	-25.4	32.36	10.94	30.22	10.14	28.09	9.35	26.84	9.79	25.78	8.59	23.64	7.85
	-19.8	-20	32.36	10.75	30.22	9.97	28.09	9.19	26.84	8.82	25.78	8.44	23.64	7.72
	-18.8	-19	32.36	10.65	30.22	9.87	28.09	9.11	26.84	10.63	25.78	8.37	23.64	7.65
	-16.7	-17	32.36	10.44	30.22	9.68	28.09	8.94	26.84	8.58	25.78	8.22	23.64	7.51
	-13.7	-15	32.36	10.25	30.22	9.51	28.09	8.79	26.84	8.42	25.78	8.08	23.64	7.38
	-11.8	-13	32.36	10.06	30.22	9.34	28.09	8.63	26.84	8.27	25.78	7.93	23.64	7.26
	-9.8	-11	32.36	9.89	30.22	9.19	28.09	8.48	26.84	8.14	25.78	7.80	23.64	7.13
	-9.5	-10	32.36	9.79	30.22	9.09	28.09	8.41	26.84	8.06	25.78	7.74	23.64	7.07
	-8.5	-9.1	32.36	9.72	30.22	9.03	28.09	8.35	26.84	8.01	25.78	7.68	23.64	7.04
	-7	-7.6	32.36	9.60	30.22	8.92	28.09	8.23	26.84	7.91	25.78	7.59	23.64	6.94
	-5	-5.6	32.36	9.38	30.22	8.71	28.09	8.06	26.84	7.76	25.78	7.44	23.64	6.83
	-3	-3.7	32.36	9.72	30.22	9.03	28.09	8.37	26.84	8.04	25.78	7.72	23.64	7.07
	0	-0.7	32.36	10.23	30.22	9.51	28.09	8.82	26.84	8.48	25.78	8.14	23.64	7.47
	3	2.2	32.36	9.00	30.22	8.39	28.09	7.78	26.84	7.49	25.78	7.19	23.64	6.62
	5	4.1	32.36	8.50	30.22	7.95	28.09	7.44	26.84	7.17	25.78	6.90	23.64	6.39
	7	6	32.36	7.72	30.22	7.28	28.09	6.83	26.84	6.62	25.78	6.39	23.64	5.95
	9	7.9	32.36	7.59	30.22	7.19	28.09	6.79	26.84	6.60	25.78	6.39	23.64	6.01
11	9.8	32.36	7.47	30.22	7.11	28.09	6.75	26.84	6.58	25.78	6.41	23.64	6.05	
13	11.8	32.36	7.38	30.22	7.06	28.09	6.75	26.84	6.58	25.78	6.41	23.64	6.12	
15	13.7	32.36	7.36	30.22	7.06	28.09	6.77	26.84	6.64	25.78	6.50	23.64	6.22	
25%	-25	-25.4	16.15	5.91	15.11	5.45	14.00	5.01	13.48	4.79	12.89	4.58	11.85	4.16
	-19.8	-20	16.15	5.79	15.11	5.34	14.00	4.91	13.48	4.69	12.89	4.49	11.85	4.08
	-18.8	-19	16.15	5.73	15.11	5.29	14.00	4.86	13.48	4.65	12.89	4.45	11.85	4.05
	-16.7	-17	16.15	5.62	15.11	5.18	14.00	4.77	13.48	4.56	12.89	4.36	11.85	3.97
	-13.7	-15	16.15	5.51	15.11	5.08	14.00	4.68	13.48	4.48	12.89	4.29	11.85	3.90
	-11.8	-13	16.15	5.40	15.11	4.99	14.00	4.59	13.48	4.40	12.89	4.20	11.85	3.83
	-9.8	-11	16.15	5.30	15.11	4.90	14.00	4.51	13.48	4.32	12.89	4.13	11.85	3.76
	-9.5	-10	16.15	5.25	15.11	4.85	14.00	4.47	13.48	4.28	12.89	4.10	11.85	3.73
	-8.5	-9.1	16.15	5.22	15.11	4.82	14.00	4.44	13.48	4.25	12.89	4.06	11.85	3.71
	-7	-7.6	16.15	5.13	15.11	4.75	14.00	4.38	13.48	4.20	12.89	4.01	11.85	3.66
	-5	-5.6	16.15	4.99	15.11	4.63	14.00	4.27	13.48	4.10	12.89	3.92	11.85	3.58
	-3	-3.7	16.15	5.18	15.11	4.79	14.00	4.42	13.48	4.25	12.89	4.06	11.85	3.71
	0	-0.7	16.15	5.44	15.11	5.04	14.00	4.66	13.48	4.47	12.89	4.28	11.85	3.91
	3	2.2	16.15	4.76	15.11	4.42	14.00	4.09	13.48	3.93	12.89	3.76	11.85	3.45
	5	4.1	16.15	4.45	15.11	4.15	14.00	3.86	13.48	3.71	12.89	3.57	11.85	3.29
	7	6	16.15	3.99	15.11	3.74	14.00	3.50	13.48	3.37	12.89	3.26	11.85	3.02
	9	7.9	16.15	3.86	15.11	3.64	14.00	3.42	13.48	3.32	12.89	3.22	11.85	3.00
11	9.8	16.15	3.75	15.11	3.56	14.00	3.36	13.48	3.27	12.89	3.17	11.85	2.98	
13	11.8	16.15	3.66	15.11	3.48	14.00	3.32	13.48	3.22	12.89	3.14	11.85	2.97	
15	13.7	16.15	3.60	15.11	3.44	14.00	3.29	13.48	3.22	12.89	3.14	11.85	2.98	

Abbreviations:

TC: Total capacity (kW)

PI: Power input (compressor + outdoor fan motor) (kW)

Table 2-8.48: 22HP heating part load performance

Part load	Outdoor air temp.		Indoor air temp. °C DB											
			16.0		18.0		20.0		21.0		22.0		24.0	
	°C DB	°C WB	TC	PI	TC	PI	TC	PI	TC	PI	TC	PI	TC	PI
100%	-25	-25.4	49.98	20.88	49.79	21.08	49.59	21.31	49.59	21.44	49.59	21.57	49.40	21.85
	-19.8	-20	50.37	20.88	50.18	21.11	49.98	21.34	49.98	21.47	49.98	21.59	49.79	21.85
	-18.8	-19	51.15	20.93	50.96	21.16	50.76	21.39	50.76	21.49	50.76	21.62	50.57	21.87
	-16.7	-17	51.93	20.96	51.74	21.19	51.74	21.42	51.54	21.54	51.54	21.67	51.35	21.42
	-13.7	-15	52.71	21.01	52.52	21.21	52.52	21.47	52.32	21.57	52.32	21.70	52.13	20.98
	-11.8	-13	53.50	21.03	53.30	21.26	53.30	21.49	53.10	21.62	53.10	21.72	52.13	20.57
	-9.8	-11	53.89	21.06	53.89	21.29	53.69	21.52	53.69	21.62	53.50	21.75	52.13	20.37
	-9.5	-10	54.28	21.08	54.08	21.29	54.08	21.52	53.89	21.64	53.89	21.77	52.13	20.19
	-8.5	-9.1	54.86	21.11	54.86	21.31	54.67	21.54	54.47	21.67	54.47	21.80	52.13	19.91
	-7	-7.6	59.16	21.13	58.96	21.32	58.96	21.55	58.77	22.46	56.81	21.36	52.13	19.28
	-5	-5.6	59.94	21.16	59.74	21.33	59.74	21.56	59.16	23.22	56.81	22.10	52.13	19.94
	-3	-3.7	61.11	21.19	60.91	21.35	60.91	20.85	59.16	21.85	56.81	23.22	52.13	20.96
	0	-0.7	62.67	21.21	66.19	21.36	61.50	20.27	59.16	22.97	56.81	21.90	52.13	19.68
	3	2.2	66.77	22.54	66.19	20.83	61.50	19.69	59.16	21.13	56.81	20.17	52.13	18.23
	5	4.1	70.87	21.37	66.19	19.81	61.50	18.76	59.16	19.30	56.81	18.44	52.13	16.78
	7	6	70.87	20.20	66.19	18.79	61.50	17.57	59.16	16.88	56.81	16.17	52.13	14.82
	9	7.9	70.87	19.05	66.19	17.80	61.50	16.55	59.16	15.94	56.81	15.33	52.13	14.13
11	9.8	70.87	17.82	66.19	16.70	61.50	15.63	59.16	15.10	56.81	14.57	52.13	13.52	
13	11.8	70.87	16.70	66.19	15.76	61.50	14.82	59.16	14.36	56.81	13.90	52.13	12.99	
15	13.7	70.87	15.89	66.19	15.07	61.50	14.23	59.16	13.83	56.81	13.42	52.13	12.60	
75%	-25	-25.4	52.69	22.79	49.47	20.95	46.13	19.20	44.26	18.33	42.59	17.49	39.04	15.83
	-19.8	-20	52.61	22.31	49.47	20.53	46.13	18.82	44.26	17.97	42.59	17.14	39.04	15.52
	-18.8	-19	53.02	22.07	49.47	20.31	46.13	18.61	44.26	17.78	42.59	16.98	39.04	15.38
	-16.7	-17	53.02	21.62	49.47	19.91	46.13	18.26	44.26	17.44	42.59	16.64	39.04	15.09
	-13.7	-15	53.02	21.19	49.47	19.51	46.13	17.89	44.26	17.12	42.59	16.32	39.04	14.80
	-11.8	-13	53.02	20.77	49.47	19.14	46.13	17.57	44.26	16.77	42.59	16.02	39.04	14.53
	-9.8	-11	53.02	20.37	49.47	18.77	46.13	17.22	44.26	16.48	42.59	15.73	39.04	14.26
	-9.5	-10	53.02	20.18	49.47	18.61	46.13	17.06	44.26	16.32	42.59	15.57	39.04	14.16
	-8.5	-9.1	53.02	19.99	49.47	18.45	46.13	16.93	44.26	16.18	42.59	15.46	39.04	14.02
	-7	-7.6	53.02	19.73	49.47	18.18	46.13	16.69	44.26	15.97	42.59	15.25	39.04	13.84
	-5	-5.6	53.02	19.11	49.47	17.65	46.13	16.24	44.26	15.54	42.59	14.85	39.04	13.52
	-3	-3.7	53.02	19.78	49.47	18.26	46.13	16.80	44.26	16.08	42.59	15.38	39.04	14.00
	0	-0.7	53.02	20.79	49.47	19.22	46.13	17.68	44.26	16.93	42.59	16.18	39.04	14.74
	3	2.2	53.02	18.10	49.47	16.77	46.13	15.46	44.26	14.82	42.59	14.18	39.04	12.96
	5	4.1	53.02	16.72	49.47	15.57	46.13	14.42	44.26	13.86	42.59	13.30	39.04	12.21
	7	6	53.02	14.82	49.47	13.86	46.13	12.93	44.26	12.45	42.59	12.00	39.04	11.09
	9	7.9	53.02	14.18	49.47	13.33	46.13	12.50	44.26	14.77	42.59	11.68	39.04	10.88
11	9.8	53.02	13.62	49.47	12.88	46.13	12.13	44.26	11.78	42.59	11.41	39.04	10.69	
13	11.8	53.02	13.12	49.47	12.48	46.13	11.81	44.26	11.49	42.59	11.17	39.04	10.53	
15	13.7	53.02	12.77	49.47	12.18	46.13	11.62	44.26	11.33	42.59	11.04	39.04	10.48	

Abbreviations:

TC: Total capacity (kW)

PI: Power input (compressor + outdoor fan motor) (kW)

Table continued on next page ...

Table 2-8.48: 22HP heating part load performance (continued)

Part load	Outdoor air temp.		Indoor air temp. °C DB											
			16.0		18.0		20.0		21.0		22.0		24.0	
	°C DB	°C WB	TC	PI	TC	PI	TC	PI	TC	PI	TC	PI	TC	PI
50%	-25	-25.4	35.53	13.91	33.19	12.89	30.85	11.89	29.48	12.44	28.31	10.92	25.97	9.98
	-19.8	-20	35.53	13.66	33.19	12.67	30.85	11.68	29.48	11.22	28.31	10.74	25.97	9.82
	-18.8	-19	35.53	13.54	33.19	12.55	30.85	11.58	29.48	13.52	28.31	10.64	25.97	9.72
	-16.7	-17	35.53	13.27	33.19	12.31	30.85	11.36	29.48	10.90	28.31	10.45	25.97	9.55
	-13.7	-15	35.53	13.03	33.19	12.09	30.85	11.17	29.48	10.71	28.31	10.28	25.97	9.38
	-11.8	-13	35.53	12.79	33.19	11.87	30.85	10.98	29.48	10.52	28.31	10.08	25.97	9.24
	-9.8	-11	35.53	12.57	33.19	11.68	30.85	10.78	29.48	10.35	28.31	9.91	25.97	9.07
	-9.5	-10	35.53	12.45	33.19	11.56	30.85	10.69	29.48	10.25	28.31	9.84	25.97	8.99
	-8.5	-9.1	35.53	12.36	33.19	11.48	30.85	10.61	29.48	10.18	28.31	9.77	25.97	8.95
	-7	-7.6	35.53	12.21	33.19	11.34	30.85	10.47	29.48	10.06	28.31	9.65	25.97	8.83
	-5	-5.6	35.53	11.92	33.19	11.07	30.85	10.25	29.48	9.86	28.31	9.45	25.97	8.68
	-3	-3.7	35.53	12.36	33.19	11.48	30.85	10.64	29.48	10.23	28.31	9.82	25.97	8.99
	0	-0.7	35.53	13.01	33.19	12.09	30.85	11.22	29.48	10.78	28.31	10.35	25.97	9.50
	3	2.2	35.53	11.44	33.19	10.66	30.85	9.89	29.48	9.53	28.31	9.14	25.97	8.41
	5	4.1	35.53	10.81	33.19	10.11	30.85	9.45	29.48	9.12	28.31	8.78	25.97	8.12
	7	6	35.53	9.82	33.19	9.26	30.85	8.68	29.48	8.41	28.31	8.12	25.97	7.57
	9	7.9	35.53	9.65	33.19	9.14	30.85	8.63	29.48	8.39	28.31	8.12	25.97	7.64
11	9.8	35.53	9.50	33.19	9.04	30.85	8.58	29.48	8.37	28.31	8.15	25.97	7.69	
13	11.8	35.53	9.38	33.19	8.97	30.85	8.58	29.48	8.37	28.31	8.15	25.97	7.79	
15	13.7	35.53	9.36	33.19	8.97	30.85	8.61	29.48	8.44	28.31	8.27	25.97	7.91	
25%	-25	-25.4	17.73	7.52	16.60	6.93	15.38	6.37	14.81	6.09	14.15	5.82	13.02	5.29
	-19.8	-20	17.73	7.36	16.60	6.79	15.38	6.24	14.81	5.97	14.15	5.70	13.02	5.19
	-18.8	-19	17.73	7.29	16.60	6.73	15.38	6.18	14.81	5.92	14.15	5.65	13.02	5.14
	-16.7	-17	17.73	7.14	16.60	6.59	15.38	6.06	14.81	5.80	14.15	5.55	13.02	5.05
	-13.7	-15	17.73	7.00	16.60	6.46	15.38	5.95	14.81	5.69	14.15	5.45	13.02	4.95
	-11.8	-13	17.73	6.87	16.60	6.35	15.38	5.84	14.81	5.59	14.15	5.34	13.02	4.87
	-9.8	-11	17.73	6.74	16.60	6.23	15.38	5.74	14.81	5.49	14.15	5.25	13.02	4.79
	-9.5	-10	17.73	6.68	16.60	6.17	15.38	5.68	14.81	5.44	14.15	5.21	13.02	4.74
	-8.5	-9.1	17.73	6.63	16.60	6.13	15.38	5.64	14.81	5.40	14.15	5.17	13.02	4.71
	-7	-7.6	17.73	6.53	16.60	6.04	15.38	5.57	14.81	5.33	14.15	5.10	13.02	4.65
	-5	-5.6	17.73	6.35	16.60	5.88	15.38	5.43	14.81	5.21	14.15	4.99	13.02	4.55
	-3	-3.7	17.73	6.58	16.60	6.09	15.38	5.62	14.81	5.40	14.15	5.17	13.02	4.72
	0	-0.7	17.73	6.92	16.60	6.41	15.38	5.93	14.81	5.68	14.15	5.44	13.02	4.98
	3	2.2	17.73	6.05	16.60	5.62	15.38	5.20	14.81	5.00	14.15	4.79	13.02	4.38
	5	4.1	17.73	5.65	16.60	5.27	15.38	4.90	14.81	4.72	14.15	4.54	13.02	4.18
	7	6	17.73	5.07	16.60	4.75	15.38	4.45	14.81	4.29	14.15	4.14	13.02	3.84
	9	7.9	17.73	4.91	16.60	4.63	15.38	4.35	14.81	4.21	14.15	4.09	13.02	3.81
11	9.8	17.73	4.76	16.60	4.52	15.38	4.28	14.81	4.15	14.15	4.04	13.02	3.79	
13	11.8	17.73	4.65	16.60	4.43	15.38	4.21	14.81	4.10	14.15	3.99	13.02	3.78	
15	13.7	17.73	4.57	16.60	4.37	15.38	4.18	14.81	4.09	14.15	3.99	13.02	3.79	

Abbreviations:

TC: Total capacity (kW)

PI: Power input (compressor + outdoor fan motor) (kW)

Table 2-8.49: 24HP heating part load performance

Part load	Outdoor air temp.		Indoor air temp. °C DB											
			16.0		18.0		20.0		21.0		22.0		24.0	
	°C DB	°C WB	TC	PI	TC	PI	TC	PI	TC	PI	TC	PI	TC	PI
100%	-25	-25.4	54.45	19.91	54.24	20.10	54.03	20.32	54.03	20.44	54.03	20.56	53.81	20.83
	-19.8	-20	54.88	19.91	54.66	20.12	54.45	20.34	54.45	20.46	54.45	20.59	54.24	20.83
	-18.8	-19	55.73	19.95	55.51	20.17	55.30	20.39	55.30	20.49	55.30	20.61	55.09	20.85
	-16.7	-17	56.58	19.98	56.37	20.20	56.37	20.42	56.15	20.54	56.15	20.66	55.94	20.42
	-13.7	-15	57.43	20.03	57.22	20.22	57.22	20.46	57.00	20.56	57.00	20.68	56.79	20.00
	-11.8	-13	58.28	20.05	58.07	20.27	58.07	20.49	57.85	20.61	57.85	20.71	56.79	19.61
	-9.8	-11	58.70	20.08	58.70	20.29	58.49	20.51	58.49	20.61	58.28	20.73	56.79	19.42
	-9.5	-10	59.13	20.10	58.92	20.29	58.92	20.51	58.70	20.63	58.70	20.76	56.79	19.25
	-8.5	-9.1	59.77	20.12	59.77	20.32	59.56	20.54	59.34	20.66	59.34	20.78	56.79	18.98
	-7	-7.6	64.45	20.15	64.23	20.33	64.23	20.55	64.02	21.41	61.90	20.37	56.79	18.38
	-5	-5.6	65.30	20.17	65.09	20.34	65.09	20.56	64.45	22.14	61.90	21.07	56.79	19.01
	-3	-3.7	66.57	20.20	66.36	20.35	66.36	19.88	64.45	20.83	61.90	22.14	56.79	19.98
	0	-0.7	68.28	20.22	72.10	20.36	67.00	19.33	64.45	21.90	61.90	20.88	56.79	18.76
	3	2.2	72.74	21.49	72.10	19.86	67.00	18.77	64.45	20.15	61.90	19.23	56.79	17.38
	5	4.1	77.21	20.38	72.10	18.89	67.00	17.89	64.45	18.40	61.90	17.58	56.79	16.00
	7	6	77.21	19.26	72.10	17.92	67.00	16.75	64.45	16.09	61.90	15.41	56.79	14.13
	9	7.9	77.21	18.16	72.10	16.97	67.00	15.78	64.45	15.20	61.90	14.61	56.79	13.47
11	9.8	77.21	16.99	72.10	15.92	67.00	14.91	64.45	14.40	61.90	13.89	56.79	12.89	
13	11.8	77.21	15.92	72.10	15.03	67.00	14.13	64.45	13.69	61.90	13.25	56.79	12.38	
15	13.7	77.21	15.15	72.10	14.37	67.00	13.57	64.45	13.18	61.90	12.79	56.79	12.02	
75%	-25	-25.4	57.40	21.72	53.90	19.98	50.26	18.30	48.21	17.48	46.39	16.67	42.53	15.09
	-19.8	-20	57.31	21.27	53.90	19.57	50.26	17.94	48.21	17.13	46.39	16.34	42.53	14.79
	-18.8	-19	57.77	21.04	53.90	19.37	50.26	17.74	48.21	16.95	46.39	16.19	42.53	14.66
	-16.7	-17	57.77	20.61	53.90	18.99	50.26	17.41	48.21	16.62	46.39	15.86	42.53	14.38
	-13.7	-15	57.77	20.20	53.90	18.60	50.26	17.05	48.21	16.32	46.39	15.55	42.53	14.11
	-11.8	-13	57.77	19.80	53.90	18.25	50.26	16.75	48.21	15.99	46.39	15.27	42.53	13.85
	-9.8	-11	57.77	19.42	53.90	17.89	50.26	16.42	48.21	15.71	46.39	14.99	42.53	13.60
	-9.5	-10	57.77	19.24	53.90	17.74	50.26	16.27	48.21	15.55	46.39	14.84	42.53	13.50
	-8.5	-9.1	57.77	19.06	53.90	17.59	50.26	16.14	48.21	15.43	46.39	14.74	42.53	13.37
	-7	-7.6	57.77	18.81	53.90	17.33	50.26	15.91	48.21	15.22	46.39	14.54	42.53	13.19
	-5	-5.6	57.77	18.22	53.90	16.82	50.26	15.48	48.21	14.82	46.39	14.16	42.53	12.89
	-3	-3.7	57.77	18.86	53.90	17.41	50.26	16.01	48.21	15.33	46.39	14.66	42.53	13.34
	0	-0.7	57.77	19.82	53.90	18.32	50.26	16.85	48.21	16.14	46.39	15.43	42.53	14.05
	3	2.2	57.77	17.26	53.90	15.99	50.26	14.74	48.21	14.13	46.39	13.52	42.53	12.35
	5	4.1	57.77	15.94	53.90	14.84	50.26	13.75	48.21	13.22	46.39	12.68	42.53	11.64
	7	6	57.77	14.13	53.90	13.22	50.26	12.33	48.21	11.87	46.39	11.44	42.53	10.57
	9	7.9	57.77	13.52	53.90	12.71	50.26	11.92	48.21	14.08	46.39	11.13	42.53	10.37
11	9.8	57.77	12.99	53.90	12.28	50.26	11.56	48.21	11.23	46.39	10.88	42.53	10.19	
13	11.8	57.77	12.50	53.90	11.89	50.26	11.26	48.21	10.95	46.39	10.65	42.53	10.04	
15	13.7	57.77	12.17	53.90	11.61	50.26	11.08	48.21	10.80	46.39	10.52	42.53	9.99	

Abbreviations:

TC: Total capacity (kW)

PI: Power input (compressor + outdoor fan motor) (kW)

Table continued on next page ...

Table 2-8.49: 24HP heating part load performance (continued)

Part load	Outdoor air temp.		Indoor air temp. °C DB											
			16.0		18.0		20.0		21.0		22.0		24.0	
	°C DB	°C WB	TC	PI	TC	PI	TC	PI	TC	PI	TC	PI	TC	PI
50%	-25	-25.4	38.71	13.26	36.16	12.29	33.61	11.33	32.12	11.86	30.84	10.41	28.29	9.51
	-19.8	-20	38.71	13.02	36.16	12.08	33.61	11.13	32.12	10.70	30.84	10.23	28.29	9.36
	-18.8	-19	38.71	12.91	36.16	11.96	33.61	11.04	32.12	12.89	30.84	10.14	28.29	9.27
	-16.7	-17	38.71	12.65	36.16	11.73	33.61	10.83	32.12	10.40	30.84	9.96	28.29	9.10
	-13.7	-15	38.71	12.42	36.16	11.53	33.61	10.65	32.12	10.21	30.84	9.80	28.29	8.94
	-11.8	-13	38.71	12.19	36.16	11.32	33.61	10.46	32.12	10.03	30.84	9.61	28.29	8.81
	-9.8	-11	38.71	11.99	36.16	11.13	33.61	10.28	32.12	9.87	30.84	9.45	28.29	8.64
	-9.5	-10	38.71	11.87	36.16	11.02	33.61	10.19	32.12	9.77	30.84	9.38	28.29	8.57
	-8.5	-9.1	38.71	11.78	36.16	10.95	33.61	10.12	32.12	9.70	30.84	9.31	28.29	8.53
	-7	-7.6	38.71	11.64	36.16	10.81	33.61	9.98	32.12	9.59	30.84	9.20	28.29	8.41
	-5	-5.6	38.71	11.36	36.16	10.56	33.61	9.77	32.12	9.40	30.84	9.01	28.29	8.27
	-3	-3.7	38.71	11.78	36.16	10.95	33.61	10.14	32.12	9.75	30.84	9.36	28.29	8.57
	0	-0.7	38.71	12.40	36.16	11.53	33.61	10.70	32.12	10.28	30.84	9.87	28.29	9.06
	3	2.2	38.71	10.90	36.16	10.17	33.61	9.43	32.12	9.08	30.84	8.71	28.29	8.02
	5	4.1	38.71	10.30	36.16	9.63	33.61	9.01	32.12	8.69	30.84	8.37	28.29	7.74
	7	6	38.71	9.36	36.16	8.83	33.61	8.27	32.12	8.02	30.84	7.74	28.29	7.21
	9	7.9	38.71	9.20	36.16	8.71	33.61	8.23	32.12	8.00	30.84	7.74	28.29	7.28
11	9.8	38.71	9.06	36.16	8.62	33.61	8.18	32.12	7.98	30.84	7.77	28.29	7.33	
13	11.8	38.71	8.94	36.16	8.55	33.61	8.18	32.12	7.98	30.84	7.77	28.29	7.42	
15	13.7	38.71	8.92	36.16	8.55	33.61	8.21	32.12	8.04	30.84	7.88	28.29	7.54	
25%	-25	-25.4	19.32	7.17	18.08	6.61	16.75	6.07	16.13	5.80	15.42	5.55	14.18	5.04
	-19.8	-20	19.32	7.02	18.08	6.47	16.75	5.95	16.13	5.69	15.42	5.44	14.18	4.94
	-18.8	-19	19.32	6.95	18.08	6.41	16.75	5.89	16.13	5.64	15.42	5.39	14.18	4.90
	-16.7	-17	19.32	6.81	18.08	6.28	16.75	5.78	16.13	5.53	15.42	5.29	14.18	4.81
	-13.7	-15	19.32	6.68	18.08	6.16	16.75	5.67	16.13	5.43	15.42	5.20	14.18	4.72
	-11.8	-13	19.32	6.55	18.08	6.05	16.75	5.57	16.13	5.33	15.42	5.10	14.18	4.64
	-9.8	-11	19.32	6.42	18.08	5.94	16.75	5.47	16.13	5.24	15.42	5.00	14.18	4.56
	-9.5	-10	19.32	6.36	18.08	5.88	16.75	5.42	16.13	5.19	15.42	4.96	14.18	4.52
	-8.5	-9.1	19.32	6.32	18.08	5.84	16.75	5.38	16.13	5.15	15.42	4.92	14.18	4.49
	-7	-7.6	19.32	6.22	18.08	5.76	16.75	5.31	16.13	5.09	15.42	4.86	14.18	4.43
	-5	-5.6	19.32	6.05	18.08	5.61	16.75	5.18	16.13	4.96	15.42	4.75	14.18	4.34
	-3	-3.7	19.32	6.27	18.08	5.81	16.75	5.36	16.13	5.15	15.42	4.92	14.18	4.50
	0	-0.7	19.32	6.60	18.08	6.11	16.75	5.65	16.13	5.42	15.42	5.19	14.18	4.74
	3	2.2	19.32	5.77	18.08	5.36	16.75	4.95	16.13	4.76	15.42	4.56	14.18	4.18
	5	4.1	19.32	5.39	18.08	5.02	16.75	4.67	16.13	4.50	15.42	4.33	14.18	3.99
	7	6	19.32	4.83	18.08	4.53	16.75	4.24	16.13	4.09	15.42	3.95	14.18	3.67
	9	7.9	19.32	4.68	18.08	4.41	16.75	4.15	16.13	4.02	15.42	3.90	14.18	3.64
11	9.8	19.32	4.54	18.08	4.31	16.75	4.08	16.13	3.96	15.42	3.85	14.18	3.62	
13	11.8	19.32	4.43	18.08	4.22	16.75	4.02	16.13	3.91	15.42	3.81	14.18	3.61	
15	13.7	19.32	4.36	18.08	4.17	16.75	3.99	16.13	3.90	15.42	3.81	14.18	3.62	

Abbreviations:

TC: Total capacity (kW)

PI: Power input (compressor + outdoor fan motor) (kW)

Table 2-8.50: 26HP heating part load performance

Part load	Outdoor air temp.		Indoor air temp. °C DB											
			16.0		18.0		20.0		21.0		22.0		24.0	
	°C DB	°C WB	TC	PI	TC	PI	TC	PI	TC	PI	TC	PI	TC	PI
100%	-25	-25.4	59.33	21.42	59.10	21.62	58.86	21.86	58.86	21.99	58.86	22.12	58.63	22.41
	-19.8	-20	59.79	21.42	59.56	21.65	59.33	21.89	59.33	22.02	59.33	22.15	59.10	22.41
	-18.8	-19	60.72	21.47	60.49	21.70	60.25	21.94	60.25	22.04	60.25	22.17	60.02	22.43
	-16.7	-17	61.64	21.49	61.41	21.73	61.41	21.96	61.18	22.09	61.18	22.22	60.95	21.96
	-13.7	-15	62.57	21.55	62.34	21.75	62.34	22.02	62.11	22.12	62.11	22.25	61.88	21.52
	-11.8	-13	63.50	21.57	63.27	21.81	63.27	22.04	63.03	22.17	63.03	22.28	61.88	21.10
	-9.8	-11	63.96	21.60	63.96	21.83	63.73	22.07	63.73	22.17	63.50	22.30	61.88	20.89
	-9.5	-10	64.43	21.62	64.19	21.83	64.19	22.07	63.96	22.20	63.96	22.33	61.88	20.71
	-8.5	-9.1	65.12	21.65	65.12	21.86	64.89	22.09	64.66	22.22	64.66	22.36	61.88	20.42
	-7	-7.6	70.22	21.68	69.99	21.87	69.99	22.10	69.76	23.03	67.44	21.91	61.88	19.77
	-5	-5.6	71.15	21.70	70.91	21.88	70.91	22.12	70.22	23.82	67.44	22.67	61.88	20.45
	-3	-3.7	72.54	21.73	72.30	21.89	72.30	21.39	70.22	22.41	67.44	23.82	61.88	21.49
	0	-0.7	74.39	21.75	78.56	21.91	73.00	20.79	70.22	23.56	67.44	22.46	61.88	20.19
	3	2.2	79.26	23.12	78.56	21.36	73.00	20.20	70.22	21.68	67.44	20.68	61.88	18.70
	5	4.1	84.12	21.92	78.56	20.32	73.00	19.24	70.22	19.80	67.44	18.91	61.88	17.21
	7	6	84.12	20.72	78.56	19.27	73.00	18.02	70.22	17.31	67.44	16.58	61.88	15.20
	9	7.9	84.12	19.53	78.56	18.26	73.00	16.98	70.22	16.35	67.44	15.72	61.88	14.49
11	9.8	84.12	18.28	78.56	17.13	73.00	16.04	70.22	15.49	67.44	14.94	61.88	13.87	
13	11.8	84.12	17.13	78.56	16.17	73.00	15.20	70.22	14.73	67.44	14.26	61.88	13.32	
15	13.7	84.12	16.30	78.56	15.46	73.00	14.60	70.22	14.18	67.44	13.76	61.88	12.93	
75%	-25	-25.4	62.54	23.37	58.73	21.49	54.76	19.69	52.53	18.80	50.55	17.94	46.34	16.24
	-19.8	-20	62.44	22.89	58.73	21.05	54.76	19.30	52.53	18.43	50.55	17.58	46.34	15.91
	-18.8	-19	62.94	22.64	58.73	20.83	54.76	19.08	52.53	18.24	50.55	17.42	46.34	15.78
	-16.7	-17	62.94	22.17	58.73	20.42	54.76	18.73	52.53	17.88	50.55	17.06	46.34	15.48
	-13.7	-15	62.94	21.74	58.73	20.01	54.76	18.35	52.53	17.55	50.55	16.73	46.34	15.17
	-11.8	-13	62.94	21.30	58.73	19.63	54.76	18.02	52.53	17.20	50.55	16.43	46.34	14.90
	-9.8	-11	62.94	20.89	58.73	19.25	54.76	17.66	52.53	16.90	50.55	16.13	46.34	14.63
	-9.5	-10	62.94	20.70	58.73	19.08	54.76	17.50	52.53	16.73	50.55	15.97	46.34	14.52
	-8.5	-9.1	62.94	20.51	58.73	18.92	54.76	17.36	52.53	16.60	50.55	15.86	46.34	14.38
	-7	-7.6	62.94	20.23	58.73	18.65	54.76	17.12	52.53	16.38	50.55	15.64	46.34	14.19
	-5	-5.6	62.94	19.60	58.73	18.10	54.76	16.65	52.53	15.94	50.55	15.23	46.34	13.86
	-3	-3.7	62.94	20.29	58.73	18.73	54.76	17.23	52.53	16.49	50.55	15.78	46.34	14.35
	0	-0.7	62.94	21.33	58.73	19.71	54.76	18.13	52.53	17.36	50.55	16.60	46.34	15.12
	3	2.2	62.94	18.57	58.73	17.20	54.76	15.86	52.53	15.20	50.55	14.55	46.34	13.29
	5	4.1	62.94	17.14	58.73	15.97	54.76	14.79	52.53	14.22	50.55	13.64	46.34	12.52
	7	6	62.94	15.20	58.73	14.22	54.76	13.26	52.53	12.77	50.55	12.30	46.34	11.37
	9	7.9	62.94	14.55	58.73	13.67	54.76	12.82	52.53	15.15	50.55	11.98	46.34	11.16
11	9.8	62.94	13.97	58.73	13.21	54.76	12.44	52.53	12.09	50.55	11.70	46.34	10.96	
13	11.8	62.94	13.45	58.73	12.80	54.76	12.11	52.53	11.78	50.55	11.46	46.34	10.80	
15	13.7	62.94	13.10	58.73	12.50	54.76	11.92	52.53	11.62	50.55	11.32	46.34	10.75	

Abbreviations:

TC: Total capacity (kW)

PI: Power input (compressor + outdoor fan motor) (kW)

Table continued on next page ...

Table 2-8.50: 26HP heating part load performance (continued)

Part load	Outdoor air temp.		Indoor air temp. °C DB											
			16.0		18.0		20.0		21.0		22.0		24.0	
	°C DB	°C WB	TC	PI	TC	PI	TC	PI	TC	PI	TC	PI	TC	PI
50%	-25	-25.4	42.18	14.27	39.40	13.22	36.62	12.19	34.99	12.76	33.60	11.20	30.82	10.23
	-19.8	-20	42.18	14.01	39.40	12.99	36.62	11.98	34.99	11.51	33.60	11.01	30.82	10.07
	-18.8	-19	42.18	13.89	39.40	12.87	36.62	11.88	34.99	13.86	33.60	10.91	30.82	9.97
	-16.7	-17	42.18	13.61	39.40	12.62	36.62	11.65	34.99	11.18	33.60	10.71	30.82	9.80
	-13.7	-15	42.18	13.37	39.40	12.40	36.62	11.46	34.99	10.99	33.60	10.54	30.82	9.62
	-11.8	-13	42.18	13.12	39.40	12.18	36.62	11.26	34.99	10.79	33.60	10.34	30.82	9.47
	-9.8	-11	42.18	12.89	39.40	11.98	36.62	11.06	34.99	10.61	33.60	10.17	30.82	9.30
	-9.5	-10	42.18	12.77	39.40	11.85	36.62	10.96	34.99	10.51	33.60	10.09	30.82	9.22
	-8.5	-9.1	42.18	12.67	39.40	11.78	36.62	10.89	34.99	10.44	33.60	10.02	30.82	9.18
	-7	-7.6	42.18	12.52	39.40	11.63	36.62	10.74	34.99	10.32	33.60	9.89	30.82	9.05
	-5	-5.6	42.18	12.23	39.40	11.36	36.62	10.51	34.99	10.12	33.60	9.70	30.82	8.90
	-3	-3.7	42.18	12.67	39.40	11.78	36.62	10.91	34.99	10.49	33.60	10.07	30.82	9.22
	0	-0.7	42.18	13.34	39.40	12.40	36.62	11.51	34.99	11.06	33.60	10.61	30.82	9.75
	3	2.2	42.18	11.73	39.40	10.94	36.62	10.14	34.99	9.77	33.60	9.37	30.82	8.63
	5	4.1	42.18	11.08	39.40	10.37	36.62	9.70	34.99	9.35	33.60	9.00	30.82	8.33
	7	6	42.18	10.07	39.40	9.50	36.62	8.90	34.99	8.63	33.60	8.33	30.82	7.76
	9	7.9	42.18	9.89	39.40	9.37	36.62	8.85	34.99	8.60	33.60	8.33	30.82	7.84
11	9.8	42.18	9.75	39.40	9.27	36.62	8.80	34.99	8.58	33.60	8.36	30.82	7.89	
13	11.8	42.18	9.62	39.40	9.20	36.62	8.80	34.99	8.58	33.60	8.36	30.82	7.98	
15	13.7	42.18	9.60	39.40	9.20	36.62	8.83	34.99	8.65	33.60	8.48	30.82	8.11	
25%	-25	-25.4	21.05	7.71	19.70	7.11	18.25	6.53	17.57	6.25	16.80	5.97	15.45	5.43
	-19.8	-20	21.05	7.55	19.70	6.97	18.25	6.40	17.57	6.12	16.80	5.85	15.45	5.32
	-18.8	-19	21.05	7.48	19.70	6.90	18.25	6.34	17.57	6.07	16.80	5.80	15.45	5.28
	-16.7	-17	21.05	7.32	19.70	6.76	18.25	6.22	17.57	5.95	16.80	5.69	15.45	5.18
	-13.7	-15	21.05	7.18	19.70	6.63	18.25	6.10	17.57	5.84	16.80	5.59	15.45	5.08
	-11.8	-13	21.05	7.04	19.70	6.51	18.25	5.99	17.57	5.73	16.80	5.48	15.45	4.99
	-9.8	-11	21.05	6.91	19.70	6.39	18.25	5.88	17.57	5.63	16.80	5.38	15.45	4.91
	-9.5	-10	21.05	6.85	19.70	6.33	18.25	5.83	17.57	5.58	16.80	5.34	15.45	4.86
	-8.5	-9.1	21.05	6.80	19.70	6.28	18.25	5.79	17.57	5.54	16.80	5.30	15.45	4.83
	-7	-7.6	21.05	6.70	19.70	6.20	18.25	5.71	17.57	5.47	16.80	5.23	15.45	4.77
	-5	-5.6	21.05	6.51	19.70	6.03	18.25	5.57	17.57	5.34	16.80	5.11	15.45	4.67
	-3	-3.7	21.05	6.75	19.70	6.25	18.25	5.76	17.57	5.54	16.80	5.30	15.45	4.84
	0	-0.7	21.05	7.10	19.70	6.58	18.25	6.08	17.57	5.83	16.80	5.58	15.45	5.10
	3	2.2	21.05	6.21	19.70	5.76	18.25	5.33	17.57	5.12	16.80	4.91	15.45	4.50
	5	4.1	21.05	5.80	19.70	5.41	18.25	5.03	17.57	4.84	16.80	4.66	15.45	4.29
	7	6	21.05	5.20	19.70	4.88	18.25	4.56	17.57	4.40	16.80	4.25	15.45	3.94
	9	7.9	21.05	5.04	19.70	4.75	18.25	4.46	17.57	4.32	16.80	4.19	15.45	3.91
11	9.8	21.05	4.89	19.70	4.64	18.25	4.39	17.57	4.26	16.80	4.14	15.45	3.89	
13	11.8	21.05	4.77	19.70	4.54	18.25	4.32	17.57	4.20	16.80	4.10	15.45	3.88	
15	13.7	21.05	4.69	19.70	4.49	18.25	4.29	17.57	4.19	16.80	4.10	15.45	3.89	

Abbreviations:

TC: Total capacity (kW)

PI: Power input (compressor + outdoor fan motor) (kW)



Table 2-8.51: 28HP heating part load performance

Part load	Outdoor air temp.		Indoor air temp. °C DB											
			16.0		18.0		20.0		21.0		22.0		24.0	
	°C DB	°C WB	TC kW	PI kW	TC kW	PI kW	TC kW	PI kW	TC kW	PI kW	TC kW	PI kW	TC kW	PI kW
100%	-25	-25.4	63.80	25.92	63.55	26.17	63.30	26.46	63.30	26.61	63.30	26.77	63.05	27.12
	-19.8	-20	64.30	25.92	64.05	26.20	63.80	26.49	63.80	26.65	63.80	26.80	63.55	27.12
	-18.8	-19	65.29	25.98	65.04	26.27	64.79	26.55	64.79	26.68	64.79	26.84	64.54	27.15
	-16.7	-17	66.29	26.01	66.04	26.30	66.04	26.58	65.79	26.74	65.79	26.90	65.54	26.58
	-13.7	-15	67.29	26.08	67.04	26.33	67.04	26.65	66.79	26.77	66.79	26.93	66.54	26.05
	-11.8	-13	68.28	26.11	68.03	26.39	68.03	26.68	67.78	26.84	67.78	26.96	66.54	25.54
	-9.8	-11	68.78	26.14	68.78	26.42	68.53	26.71	68.53	26.84	68.28	26.99	66.54	25.29
	-9.5	-10	69.28	26.17	69.03	26.42	69.03	26.71	68.78	26.87	68.78	27.03	66.54	25.07
	-8.5	-9.1	70.03	26.20	70.03	26.46	69.78	26.74	69.53	26.90	69.53	27.06	66.54	24.72
	-7	-7.6	75.51	26.24	75.26	26.47	75.26	26.75	75.01	27.88	72.52	26.52	66.54	23.93
	-5	-5.6	76.51	26.27	76.26	26.48	76.26	26.77	75.51	28.83	72.52	27.44	66.54	24.75
	-3	-3.7	78.00	26.30	77.75	26.50	77.75	25.89	75.51	27.12	72.52	28.83	66.54	26.01
	0	-0.7	80.00	26.33	84.48	26.51	78.50	25.17	75.51	28.51	72.52	27.18	66.54	24.43
	3	2.2	85.23	27.98	84.48	25.86	78.50	24.45	75.51	26.24	72.52	25.03	66.54	22.63
	5	4.1	90.46	26.53	84.48	24.59	78.50	23.29	75.51	23.96	72.52	22.88	66.54	20.83
	7	6	90.46	25.08	84.48	23.33	78.50	21.81	75.51	20.96	72.52	20.07	66.54	18.40
	9	7.9	90.46	23.64	84.48	22.09	78.50	20.55	75.51	19.79	72.52	19.03	66.54	17.54
11	9.8	90.46	22.13	84.48	20.74	78.50	19.41	75.51	18.74	72.52	18.08	66.54	16.78	
13	11.8	90.46	20.74	84.48	19.57	78.50	18.40	75.51	17.83	72.52	17.26	66.54	16.12	
15	13.7	90.46	19.72	84.48	18.71	78.50	17.67	75.51	17.16	72.52	16.66	66.54	15.65	
75%	-25	-25.4	67.25	28.28	63.15	26.01	58.89	23.83	56.49	22.76	54.36	21.71	49.83	19.65
	-19.8	-20	67.15	27.70	63.15	25.48	58.89	23.36	56.49	22.30	54.36	21.28	49.83	19.26
	-18.8	-19	67.68	27.40	63.15	25.22	58.89	23.10	56.49	22.07	54.36	21.08	49.83	19.09
	-16.7	-17	67.68	26.84	63.15	24.72	58.89	22.67	56.49	21.64	54.36	20.65	49.83	18.73
	-13.7	-15	67.68	26.31	63.15	24.22	58.89	22.21	56.49	21.25	54.36	20.25	49.83	18.37
	-11.8	-13	67.68	25.78	63.15	23.76	58.89	21.81	56.49	20.82	54.36	19.89	49.83	18.04
	-9.8	-11	67.68	25.28	63.15	23.30	58.89	21.38	56.49	20.45	54.36	19.52	49.83	17.70
	-9.5	-10	67.68	25.05	63.15	23.10	58.89	21.18	56.49	20.25	54.36	19.33	49.83	17.57
	-8.5	-9.1	67.68	24.82	63.15	22.90	58.89	21.01	56.49	20.09	54.36	19.19	49.83	17.41
	-7	-7.6	67.68	24.49	63.15	22.57	58.89	20.72	56.49	19.82	54.36	18.93	49.83	17.18
	-5	-5.6	67.68	23.73	63.15	21.91	58.89	20.15	56.49	19.29	54.36	18.43	49.83	16.78
	-3	-3.7	67.68	24.55	63.15	22.67	58.89	20.85	56.49	19.95	54.36	19.09	49.83	17.37
	0	-0.7	67.68	25.81	63.15	23.86	58.89	21.94	56.49	21.01	54.36	20.09	49.83	18.30
	3	2.2	67.68	22.47	63.15	20.82	58.89	19.19	56.49	18.40	54.36	17.61	49.83	16.08
	5	4.1	67.68	20.75	63.15	19.33	58.89	17.90	56.49	17.21	54.36	16.51	49.83	15.16
	7	6	67.68	18.40	63.15	17.21	58.89	16.05	56.49	15.45	54.36	14.89	49.83	13.77
	9	7.9	67.68	17.61	63.15	16.55	58.89	15.52	56.49	14.33	54.36	14.49	49.83	13.50
11	9.8	67.68	16.91	63.15	15.98	58.89	15.06	56.49	14.63	54.36	14.16	49.83	13.27	
13	11.8	67.68	16.28	63.15	15.49	58.89	14.66	56.49	14.26	54.36	13.87	49.83	13.07	
15	13.7	67.68	15.85	63.15	15.12	58.89	14.43	56.49	14.06	54.36	13.70	49.83	13.01	

Abbreviations:

TC: Total capacity (kW)

PI: Power input (compressor + outdoor fan motor) (kW)

Table continued on next page ...

Table 2-8.51: 28HP heating part load performance (continued)

Part load	Outdoor air temp.		Indoor air temp. °C DB											
			16.0		18.0		20.0		21.0		22.0		24.0	
	°C DB	°C WB	TC	PI	TC	PI	TC	PI	TC	PI	TC	PI	TC	PI
50%	-25	-25.4	45.36	17.27	42.37	16.00	39.37	14.75	37.63	15.44	36.13	13.55	33.14	12.39
	-19.8	-20	45.36	16.96	42.37	15.73	39.37	14.50	37.63	13.93	36.13	13.33	33.14	12.19
	-18.8	-19	45.36	16.81	42.37	15.58	39.37	14.38	37.63	13.78	36.13	13.21	33.14	12.07
	-16.7	-17	45.36	16.48	42.37	15.28	39.37	14.11	37.63	13.54	36.13	12.97	33.14	11.86
	-13.7	-15	45.36	16.18	42.37	15.01	39.37	13.87	37.63	13.30	36.13	12.76	33.14	11.65
	-11.8	-13	45.36	15.88	42.37	14.74	39.37	13.63	37.63	13.06	36.13	12.52	33.14	11.47
	-9.8	-11	45.36	15.61	42.37	14.50	39.37	13.39	37.63	12.85	36.13	12.31	33.14	11.25
	-9.5	-10	45.36	15.46	42.37	14.35	39.37	13.27	37.63	12.73	36.13	12.22	33.14	11.16
	-8.5	-9.1	45.36	15.34	42.37	14.26	39.37	13.18	37.63	12.64	36.13	12.13	33.14	11.10
	-7	-7.6	45.36	15.16	42.37	14.08	39.37	13.00	37.63	12.49	36.13	11.98	33.14	10.95
	-5	-5.6	45.36	14.80	42.37	13.75	39.37	12.73	37.63	12.25	36.13	11.74	33.14	10.77
	-3	-3.7	45.36	15.34	42.37	14.26	39.37	13.21	37.63	12.70	36.13	12.19	33.14	11.16
	0	-0.7	45.36	16.15	42.37	15.01	39.37	13.93	37.63	13.39	36.13	12.85	33.14	11.80
	3	2.2	45.36	14.20	42.37	13.24	39.37	12.28	37.63	11.83	36.13	11.35	33.14	10.44
	5	4.1	45.36	13.42	42.37	12.55	39.37	11.74	37.63	11.32	36.13	10.89	33.14	10.08
	7	6	45.36	12.19	42.37	11.50	39.37	10.77	37.63	10.44	36.13	10.08	33.14	9.39
	9	7.9	45.36	11.98	42.37	11.35	39.37	10.71	37.63	10.41	36.13	10.08	33.14	9.48
11	9.8	45.36	11.80	42.37	11.22	39.37	10.65	37.63	10.38	36.13	10.11	33.14	9.54	
13	11.8	45.36	11.65	42.37	11.13	39.37	10.65	37.63	10.38	36.13	10.11	33.14	9.66	
15	13.7	45.36	11.62	42.37	11.13	39.37	10.68	37.63	10.47	36.13	10.26	33.14	9.81	
25%	-25	-25.4	22.64	9.33	21.18	8.61	19.63	7.90	18.90	7.56	18.07	7.22	16.61	6.57
	-19.8	-20	22.64	9.14	21.18	8.43	19.63	7.75	18.90	7.41	18.07	7.08	16.61	6.44
	-18.8	-19	22.64	9.05	21.18	8.35	19.63	7.67	18.90	7.34	18.07	7.01	16.61	6.39
	-16.7	-17	22.64	8.86	21.18	8.18	19.63	7.53	18.90	7.20	18.07	6.88	16.61	6.27
	-13.7	-15	22.64	8.69	21.18	8.02	19.63	7.38	18.90	7.07	18.07	6.77	16.61	6.15
	-11.8	-13	22.64	8.52	21.18	7.88	19.63	7.25	18.90	6.94	18.07	6.63	16.61	6.04
	-9.8	-11	22.64	8.37	21.18	7.74	19.63	7.12	18.90	6.82	18.07	6.52	16.61	5.94
	-9.5	-10	22.64	8.29	21.18	7.66	19.63	7.05	18.90	6.75	18.07	6.46	16.61	5.89
	-8.5	-9.1	22.64	8.23	21.18	7.60	19.63	7.00	18.90	6.70	18.07	6.41	16.61	5.85
	-7	-7.6	22.64	8.10	21.18	7.50	19.63	6.91	18.90	6.62	18.07	6.33	16.61	5.77
	-5	-5.6	22.64	7.88	21.18	7.30	19.63	6.74	18.90	6.46	18.07	6.19	16.61	5.65
	-3	-3.7	22.64	8.17	21.18	7.57	19.63	6.98	18.90	6.70	18.07	6.41	16.61	5.86
	0	-0.7	22.64	8.59	21.18	7.96	19.63	7.36	18.90	7.05	18.07	6.75	16.61	6.18
	3	2.2	22.64	7.51	21.18	6.98	19.63	6.45	18.90	6.20	18.07	5.94	16.61	5.44
	5	4.1	22.64	7.01	21.18	6.54	19.63	6.08	18.90	5.86	18.07	5.64	16.61	5.19
	7	6	22.64	6.29	21.18	5.90	19.63	5.52	18.90	5.32	18.07	5.14	16.61	4.77
	9	7.9	22.64	6.10	21.18	5.74	19.63	5.40	18.90	5.23	18.07	5.07	16.61	4.73
11	9.8	22.64	5.91	21.18	5.61	19.63	5.31	18.90	5.15	18.07	5.01	16.61	4.71	
13	11.8	22.64	5.77	21.18	5.49	19.63	5.23	18.90	5.09	18.07	4.96	16.61	4.69	
15	13.7	22.64	5.68	21.18	5.43	19.63	5.19	18.90	5.07	18.07	4.96	16.61	4.71	

Abbreviations:

TC: Total capacity (kW)

PI: Power input (compressor + outdoor fan motor) (kW)

Table 2-8.52: 30HP heating part load performance

Part load	Outdoor air temp.		Indoor air temp. °C DB											
			16.0		18.0		20.0		21.0		22.0		24.0	
	°C DB	°C WB	TC kW	PI kW	TC kW	PI kW	TC kW	PI kW	TC kW	PI kW	TC kW	PI kW	TC kW	PI kW
100%	-25	-25.4	69.08	28.85	68.81	29.14	68.54	29.45	68.54	29.63	68.54	29.80	68.27	30.19
	-19.8	-20	69.62	28.85	69.35	29.17	69.08	29.49	69.08	29.66	69.08	29.84	68.81	30.19
	-18.8	-19	70.70	28.92	70.43	29.24	70.16	29.56	70.16	29.70	70.16	29.87	69.89	30.23
	-16.7	-17	71.78	28.96	71.51	29.28	71.51	29.59	71.24	29.77	71.24	29.95	70.97	29.59
	-13.7	-15	72.86	29.03	72.59	29.31	72.59	29.66	72.32	29.80	72.32	29.98	72.05	29.00
	-11.8	-13	73.94	29.07	73.67	29.38	73.67	29.70	73.40	29.87	73.40	30.02	72.05	28.43
	-9.8	-11	74.48	29.10	74.48	29.42	74.21	29.73	74.21	29.87	73.94	30.05	72.05	28.15
	-9.5	-10	75.02	29.14	74.75	29.42	74.75	29.73	74.48	29.91	74.48	30.09	72.05	27.90
	-8.5	-9.1	75.83	29.17	75.83	29.45	75.56	29.77	75.29	29.95	75.29	30.12	72.05	27.52
	-7	-7.6	81.76	29.21	81.49	29.46	81.49	29.78	81.22	31.04	78.52	29.52	72.05	26.64
	-5	-5.6	82.84	29.24	82.57	29.48	82.57	29.80	81.76	32.09	78.52	30.54	72.05	27.55
	-3	-3.7	84.46	29.28	84.19	29.50	84.19	28.82	81.76	30.19	78.52	32.09	72.05	28.96
	0	-0.7	86.62	29.31	91.48	29.52	85.00	28.02	81.76	31.74	78.52	30.26	72.05	27.20
	3	2.2	92.29	31.15	91.48	28.78	85.00	27.21	81.76	29.21	78.52	27.87	72.05	25.19
	5	4.1	97.95	29.53	91.48	27.38	85.00	25.93	81.76	26.67	78.52	25.48	72.05	23.19
	7	6	97.95	27.92	91.48	25.97	85.00	24.28	81.76	23.33	78.52	22.34	72.05	20.48
	9	7.9	97.95	26.32	91.48	24.60	85.00	22.87	81.76	22.03	78.52	21.18	72.05	19.53
11	9.8	97.95	24.63	91.48	23.08	85.00	21.61	81.76	20.87	78.52	20.13	72.05	18.69	
13	11.8	97.95	23.08	91.48	21.78	85.00	20.48	81.76	19.85	78.52	19.21	72.05	17.95	
15	13.7	97.95	21.96	91.48	20.83	85.00	19.67	81.76	19.11	78.52	18.54	72.05	17.42	
75%	-25	-25.4	72.82	31.49	68.38	28.96	63.76	26.53	61.17	25.34	58.86	24.17	53.95	21.88
	-19.8	-20	72.71	30.84	68.38	28.37	63.76	26.01	61.17	24.83	58.86	23.69	53.95	21.44
	-18.8	-19	73.28	30.50	68.38	28.07	63.76	25.71	61.17	24.57	58.86	23.47	53.95	21.26
	-16.7	-17	73.28	29.88	68.38	27.52	63.76	25.24	61.17	24.09	58.86	22.99	53.95	20.85
	-13.7	-15	73.28	29.29	68.38	26.97	63.76	24.72	61.17	23.65	58.86	22.55	53.95	20.45
	-11.8	-13	73.28	28.70	68.38	26.45	63.76	24.28	61.17	23.17	58.86	22.14	53.95	20.08
	-9.8	-11	73.28	28.15	68.38	25.94	63.76	23.80	61.17	22.77	58.86	21.74	53.95	19.71
	-9.5	-10	73.28	27.89	68.38	25.71	63.76	23.58	61.17	22.55	58.86	21.51	53.95	19.56
	-8.5	-9.1	73.28	27.63	68.38	25.49	63.76	23.39	61.17	22.36	58.86	21.37	53.95	19.38
	-7	-7.6	73.28	27.26	68.38	25.13	63.76	23.06	61.17	22.07	58.86	21.07	53.95	19.12
	-5	-5.6	73.28	26.41	68.38	24.39	63.76	22.44	61.17	21.48	58.86	20.52	53.95	18.68
	-3	-3.7	73.28	27.34	68.38	25.24	63.76	23.21	61.17	22.21	58.86	21.26	53.95	19.34
	0	-0.7	73.28	28.74	68.38	26.56	63.76	24.43	61.17	23.39	58.86	22.36	53.95	20.37
	3	2.2	73.28	25.01	68.38	23.17	63.76	21.37	61.17	20.48	58.86	19.60	53.95	17.90
	5	4.1	73.28	23.10	68.38	21.51	63.76	19.93	61.17	19.16	58.86	18.38	53.95	16.87
	7	6	73.28	20.48	68.38	19.16	63.76	17.87	61.17	17.20	58.86	16.58	53.95	15.33
	9	7.9	73.28	19.60	68.38	18.42	63.76	17.28	61.17	20.41	58.86	16.14	53.95	15.03
11	9.8	73.28	18.83	68.38	17.79	63.76	16.76	61.17	16.28	58.86	15.77	53.95	14.77	
13	11.8	73.28	18.13	68.38	17.24	63.76	16.32	61.17	15.88	58.86	15.44	53.95	14.55	
15	13.7	73.28	17.65	68.38	16.84	63.76	16.06	61.17	15.66	58.86	15.25	53.95	14.48	

Abbreviations:

TC: Total capacity (kW)

PI: Power input (compressor + outdoor fan motor) (kW)

Table continued on next page ...

Table 2-8.52: 30HP heating part load performance (continued)

Part load	Outdoor air temp.		Indoor air temp. °C DB											
			16.0		18.0		20.0		21.0		22.0		24.0	
	°C DB	°C WB	TC kW	PI kW	TC kW	PI kW	TC kW	PI kW	TC kW	PI kW	TC kW	PI kW	TC kW	PI kW
50%	-25	-25.4	49.11	19.22	45.87	17.81	42.63	16.42	40.75	17.19	39.13	15.09	35.89	13.79
	-19.8	-20	49.11	18.88	45.87	17.51	42.63	16.14	40.75	15.50	39.13	14.84	35.89	13.57
	-18.8	-19	49.11	18.71	45.87	17.34	42.63	16.00	40.75	18.68	39.13	14.70	35.89	13.43
	-16.7	-17	49.11	18.34	45.87	17.01	42.63	15.70	40.75	15.07	39.13	14.43	35.89	13.20
	-13.7	-15	49.11	18.01	45.87	16.71	42.63	15.44	40.75	14.80	39.13	14.20	35.89	12.96
	-11.8	-13	49.11	17.68	45.87	16.41	42.63	15.17	40.75	14.53	39.13	13.93	35.89	12.76
	-9.8	-11	49.11	17.37	45.87	16.14	42.63	14.90	40.75	14.30	39.13	13.70	35.89	12.53
	-9.5	-10	49.11	17.21	45.87	15.97	42.63	14.77	40.75	14.17	39.13	13.60	35.89	12.43
	-8.5	-9.1	49.11	17.07	45.87	15.87	42.63	14.67	40.75	14.07	39.13	13.50	35.89	12.36
	-7	-7.6	49.11	16.87	45.87	15.67	42.63	14.47	40.75	13.90	39.13	13.33	35.89	12.20
	-5	-5.6	49.11	16.47	45.87	15.30	42.63	14.17	40.75	13.63	39.13	13.06	35.89	12.00
	-3	-3.7	49.11	17.07	45.87	15.87	42.63	14.70	40.75	14.13	39.13	13.57	35.89	12.43
	0	-0.7	49.11	17.98	45.87	16.71	42.63	15.50	40.75	14.90	39.13	14.30	35.89	13.13
	3	2.2	49.11	15.80	45.87	14.73	42.63	13.67	40.75	13.16	39.13	12.63	35.89	11.63
	5	4.1	49.11	14.94	45.87	13.97	42.63	13.06	40.75	12.60	39.13	12.13	35.89	11.23
	7	6	49.11	13.57	45.87	12.80	42.63	12.00	40.75	11.63	39.13	11.23	35.89	10.46
	9	7.9	49.11	13.33	45.87	12.63	42.63	11.93	40.75	11.59	39.13	11.23	35.89	10.56
11	9.8	49.11	13.13	45.87	12.50	42.63	11.86	40.75	11.56	39.13	11.26	35.89	10.63	
13	11.8	49.11	12.96	45.87	12.40	42.63	11.86	40.75	11.56	39.13	11.26	35.89	10.76	
15	13.7	49.11	12.93	45.87	12.40	42.63	11.89	40.75	11.66	39.13	11.43	35.89	10.93	
25%	-25	-25.4	24.51	10.39	22.94	9.58	21.25	8.80	20.46	8.41	19.56	8.04	17.99	7.31
	-19.8	-20	24.51	10.17	22.94	9.39	21.25	8.63	20.46	8.25	19.56	7.88	17.99	7.17
	-18.8	-19	24.51	10.07	22.94	9.30	21.25	8.54	20.46	8.17	19.56	7.81	17.99	7.11
	-16.7	-17	24.51	9.87	22.94	9.11	21.25	8.38	20.46	8.01	19.56	7.66	17.99	6.98
	-13.7	-15	24.51	9.68	22.94	8.93	21.25	8.22	20.46	7.87	19.56	7.53	17.99	6.85
	-11.8	-13	24.51	9.49	22.94	8.77	21.25	8.07	20.46	7.72	19.56	7.39	17.99	6.73
	-9.8	-11	24.51	9.31	22.94	8.61	21.25	7.93	20.46	7.59	19.56	7.25	17.99	6.61
	-9.5	-10	24.51	9.23	22.94	8.52	21.25	7.85	20.46	7.52	19.56	7.20	17.99	6.55
	-8.5	-9.1	24.51	9.16	22.94	8.47	21.25	7.79	20.46	7.46	19.56	7.14	17.99	6.51
	-7	-7.6	24.51	9.02	22.94	8.35	21.25	7.69	20.46	7.37	19.56	7.05	17.99	6.42
	-5	-5.6	24.51	8.77	22.94	8.13	21.25	7.50	20.46	7.20	19.56	6.89	17.99	6.29
	-3	-3.7	24.51	9.09	22.94	8.42	21.25	7.77	20.46	7.46	19.56	7.14	17.99	6.52
	0	-0.7	24.51	9.56	22.94	8.86	21.25	8.19	20.46	7.85	19.56	7.52	17.99	6.88
	3	2.2	24.51	8.36	22.94	7.77	21.25	7.18	20.46	6.90	19.56	6.61	17.99	6.06
	5	4.1	24.51	7.81	22.94	7.28	21.25	6.77	20.46	6.52	19.56	6.28	17.99	5.78
	7	6	24.51	7.01	22.94	6.57	21.25	6.15	20.46	5.93	19.56	5.72	17.99	5.31
	9	7.9	24.51	6.79	22.94	6.39	21.25	6.01	20.46	5.82	19.56	5.65	17.99	5.27
11	9.8	24.51	6.58	22.94	6.25	21.25	5.91	20.46	5.74	19.56	5.58	17.99	5.24	
13	11.8	24.51	6.42	22.94	6.12	21.25	5.82	20.46	5.66	19.56	5.52	17.99	5.23	
15	13.7	24.51	6.32	22.94	6.04	21.25	5.78	20.46	5.65	19.56	5.52	17.99	5.24	

Abbreviations:

TC: Total capacity (kW)

PI: Power input (compressor + outdoor fan motor) (kW)

Table 2-8.53: 32HP heating part load performance

Part load	Outdoor air temp.		Indoor air temp. °C DB											
			16.0		18.0		20.0		21.0		22.0		24.0	
	°C DB	°C WB	TC	PI	TC	PI	TC	PI	TC	PI	TC	PI	TC	PI
100%	-25	-25.4	73.14	31.46	72.86	31.76	72.57	32.11	72.57	32.30	72.57	32.49	72.29	32.91
	-19.8	-20	73.71	31.46	73.43	31.80	73.14	32.15	73.14	32.34	73.14	32.53	72.86	32.91
	-18.8	-19	74.86	31.53	74.57	31.88	74.29	32.22	74.29	32.38	74.29	32.57	74.00	32.95
	-16.7	-17	76.00	31.57	75.71	31.92	75.71	32.26	75.43	32.45	75.43	32.65	75.14	32.26
	-13.7	-15	77.14	31.65	76.86	31.96	76.86	32.34	76.57	32.49	76.57	32.68	76.29	31.61
	-11.8	-13	78.29	31.69	78.00	32.03	78.00	32.38	77.71	32.57	77.71	32.72	76.29	31.00
	-9.8	-11	78.86	31.73	78.86	32.07	78.57	32.42	78.57	32.57	78.29	32.76	76.29	30.69
	-9.5	-10	79.43	31.76	79.14	32.07	79.14	32.42	78.86	32.61	78.86	32.80	76.29	30.42
	-8.5	-9.1	80.29	31.80	80.29	32.11	80.00	32.45	79.71	32.65	79.71	32.84	76.29	30.00
	-7	-7.6	86.57	31.84	86.29	32.12	86.29	32.47	86.00	33.84	83.14	32.19	76.29	29.04
	-5	-5.6	87.71	31.88	87.43	32.14	87.43	32.49	86.57	34.99	83.14	33.30	76.29	30.04
	-3	-3.7	89.43	31.92	89.14	32.16	89.14	31.42	86.57	32.91	83.14	34.99	76.29	31.57
	0	-0.7	91.71	31.96	96.86	32.18	90.00	30.54	86.57	34.60	83.14	32.99	76.29	29.65
	3	2.2	97.71	33.96	96.86	31.38	90.00	29.67	86.57	31.84	83.14	30.38	76.29	27.47
	5	4.1	103.71	32.20	96.86	29.85	90.00	28.27	86.57	29.08	83.14	27.77	76.29	25.28
	7	6	103.71	30.43	96.86	28.31	90.00	26.47	86.57	25.43	83.14	24.36	76.29	22.33
	9	7.9	103.71	28.70	96.86	26.82	90.00	24.94	86.57	24.01	83.14	23.09	76.29	21.29
11	9.8	103.71	26.85	96.86	25.17	90.00	23.55	86.57	22.75	83.14	21.94	76.29	20.37	
13	11.8	103.71	25.17	96.86	23.75	90.00	22.33	86.57	21.64	83.14	20.95	76.29	19.56	
15	13.7	103.71	23.94	96.86	22.71	90.00	21.44	86.57	20.83	83.14	20.22	76.29	18.99	
75%	-25	-25.4	77.11	34.33	72.40	31.57	67.51	28.92	64.76	27.62	62.32	26.35	57.13	23.85
	-19.8	-20	76.98	33.62	72.40	30.93	67.51	28.36	64.76	27.07	62.32	25.83	57.13	23.38
	-18.8	-19	77.60	33.26	72.40	30.60	67.51	28.03	64.76	26.79	62.32	25.58	57.13	23.17
	-16.7	-17	77.60	32.57	72.40	30.00	67.51	27.51	64.76	26.27	62.32	25.06	57.13	22.73
	-13.7	-15	77.60	31.93	72.40	29.40	67.51	26.95	64.76	25.78	62.32	24.58	57.13	22.29
	-11.8	-13	77.60	31.29	72.40	28.84	67.51	26.47	64.76	25.26	62.32	24.14	57.13	21.89
	-9.8	-11	77.60	30.68	72.40	28.28	67.51	25.95	64.76	24.82	62.32	23.70	57.13	21.49
	-9.5	-10	77.60	30.40	72.40	28.03	67.51	25.70	64.76	24.58	62.32	23.46	57.13	21.33
	-8.5	-9.1	77.60	30.12	72.40	27.79	67.51	25.50	64.76	24.38	62.32	23.29	57.13	21.13
	-7	-7.6	77.60	29.72	72.40	27.39	67.51	25.14	64.76	24.06	62.32	22.97	57.13	20.84
	-5	-5.6	77.60	28.80	72.40	26.59	67.51	24.46	64.76	23.42	62.32	22.37	57.13	20.36
	-3	-3.7	77.60	29.80	72.40	27.51	67.51	25.30	64.76	24.22	62.32	23.17	57.13	21.09
	0	-0.7	77.60	31.33	72.40	28.96	67.51	26.63	64.76	25.50	62.32	24.38	57.13	22.21
	3	2.2	77.60	27.27	72.40	25.26	67.51	23.29	64.76	22.33	62.32	21.37	57.13	19.52
	5	4.1	77.60	25.18	72.40	23.46	67.51	21.73	64.76	20.88	62.32	20.04	57.13	18.39
	7	6	77.60	22.33	72.40	20.88	67.51	19.48	64.76	18.76	62.32	18.07	57.13	16.71
	9	7.9	77.60	21.37	72.40	20.08	67.51	18.84	64.76	22.25	62.32	17.59	57.13	16.39
11	9.8	77.60	20.52	72.40	19.40	67.51	18.27	64.76	17.75	62.32	17.19	57.13	16.11	
13	11.8	77.60	19.76	72.40	18.80	67.51	17.79	64.76	17.31	62.32	16.83	57.13	15.86	
15	13.7	77.60	19.24	72.40	18.35	67.51	17.51	64.76	17.07	62.32	16.63	57.13	15.78	

Abbreviations:

TC: Total capacity (kW)

PI: Power input (compressor + outdoor fan motor) (kW)

Table continued on next page ...

Table 2-8.53: 32HP heating part load performance (continued)

Part load	Outdoor air temp.		Indoor air temp. °C DB											
			16.0		18.0		20.0		21.0		22.0		24.0	
	°C DB	°C WB	TC	PI	TC	PI	TC	PI	TC	PI	TC	PI	TC	PI
			kW	kW	kW	kW	kW	kW	kW	kW	kW	kW	kW	kW
50%	-25	-25.4	52.00	20.96	48.57	19.42	45.14	17.91	43.14	18.74	41.43	16.45	38.00	15.03
	-19.8	-20	52.00	20.58	48.57	19.09	45.14	17.59	43.14	16.90	41.43	16.17	38.00	14.79
	-18.8	-19	52.00	20.40	48.57	18.91	45.14	17.45	43.14	20.36	41.43	16.03	38.00	14.64
	-16.7	-17	52.00	20.00	48.57	18.54	45.14	17.12	43.14	16.43	41.43	15.74	38.00	14.39
	-13.7	-15	52.00	19.63	48.57	18.21	45.14	16.83	43.14	16.14	41.43	15.48	38.00	14.13
	-11.8	-13	52.00	19.27	48.57	17.89	45.14	16.54	43.14	15.85	41.43	15.19	38.00	13.91
	-9.8	-11	52.00	18.94	48.57	17.59	45.14	16.25	43.14	15.59	41.43	14.93	38.00	13.66
	-9.5	-10	52.00	18.76	48.57	17.41	45.14	16.10	43.14	15.44	41.43	14.83	38.00	13.55
	-8.5	-9.1	52.00	18.61	48.57	17.30	45.14	15.99	43.14	15.34	41.43	14.72	38.00	13.48
	-7	-7.6	52.00	18.40	48.57	17.08	45.14	15.77	43.14	15.15	41.43	14.53	38.00	13.30
	-5	-5.6	52.00	17.96	48.57	16.68	45.14	15.44	43.14	14.86	41.43	14.24	38.00	13.08
	-3	-3.7	52.00	18.61	48.57	17.30	45.14	16.03	43.14	15.41	41.43	14.79	38.00	13.55
	0	-0.7	52.00	19.60	48.57	18.21	45.14	16.90	43.14	16.25	41.43	15.59	38.00	14.32
	3	2.2	52.00	17.23	48.57	16.06	45.14	14.90	43.14	14.35	41.43	13.77	38.00	12.68
	5	4.1	52.00	16.28	48.57	15.23	45.14	14.24	43.14	13.73	41.43	13.22	38.00	12.24
	7	6	52.00	14.79	48.57	13.95	45.14	13.08	43.14	12.68	41.43	12.24	38.00	11.40
	9	7.9	52.00	14.53	48.57	13.77	45.14	13.00	43.14	12.64	41.43	12.24	38.00	11.51
11	9.8	52.00	14.32	48.57	13.62	45.14	12.93	43.14	12.60	41.43	12.28	38.00	11.58	
13	11.8	52.00	14.13	48.57	13.51	45.14	12.93	43.14	12.60	41.43	12.28	38.00	11.73	
15	13.7	52.00	14.10	48.57	13.51	45.14	12.97	43.14	12.71	41.43	12.46	38.00	11.91	
25%	-25	-25.4	25.95	11.33	24.29	10.44	22.50	9.59	21.67	9.17	20.71	8.77	19.05	7.97
	-19.8	-20	25.95	11.09	24.29	10.23	22.50	9.40	21.67	8.99	20.71	8.59	19.05	7.81
	-18.8	-19	25.95	10.98	24.29	10.14	22.50	9.31	21.67	8.91	20.71	8.51	19.05	7.75
	-16.7	-17	25.95	10.76	24.29	9.93	22.50	9.13	21.67	8.74	20.71	8.35	19.05	7.61
	-13.7	-15	25.95	10.55	24.29	9.74	22.50	8.96	21.67	8.58	20.71	8.21	19.05	7.46
	-11.8	-13	25.95	10.34	24.29	9.56	22.50	8.80	21.67	8.42	20.71	8.05	19.05	7.34
	-9.8	-11	25.95	10.15	24.29	9.39	22.50	8.64	21.67	8.28	20.71	7.91	19.05	7.21
	-9.5	-10	25.95	10.06	24.29	9.29	22.50	8.56	21.67	8.20	20.71	7.85	19.05	7.15
	-8.5	-9.1	25.95	9.99	24.29	9.23	22.50	8.50	21.67	8.13	20.71	7.78	19.05	7.10
	-7	-7.6	25.95	9.83	24.29	9.10	22.50	8.39	21.67	8.04	20.71	7.69	19.05	7.00
	-5	-5.6	25.95	9.56	24.29	8.86	22.50	8.18	21.67	7.85	20.71	7.51	19.05	6.86
	-3	-3.7	25.95	9.91	24.29	9.18	22.50	8.47	21.67	8.13	20.71	7.78	19.05	7.11
	0	-0.7	25.95	10.42	24.29	9.66	22.50	8.93	21.67	8.56	20.71	8.20	19.05	7.50
	3	2.2	25.95	9.12	24.29	8.47	22.50	7.83	21.67	7.53	20.71	7.21	19.05	6.60
	5	4.1	25.95	8.51	24.29	7.94	22.50	7.38	21.67	7.11	20.71	6.84	19.05	6.30
	7	6	25.95	7.64	24.29	7.16	22.50	6.70	21.67	6.46	20.71	6.24	19.05	5.79
	9	7.9	25.95	7.40	24.29	6.97	22.50	6.56	21.67	6.35	20.71	6.16	19.05	5.74
11	9.8	25.95	7.18	24.29	6.81	22.50	6.44	21.67	6.25	20.71	6.08	19.05	5.71	
13	11.8	25.95	7.00	24.29	6.67	22.50	6.35	21.67	6.17	20.71	6.02	19.05	5.70	
15	13.7	25.95	6.89	24.29	6.59	22.50	6.30	21.67	6.16	20.71	6.02	19.05	5.71	

Abbreviations:

TC: Total capacity (kW)

PI: Power input (compressor + outdoor fan motor) (kW)

## 9 Operating Limits

Figure 2-9.1: Cooling operating limits

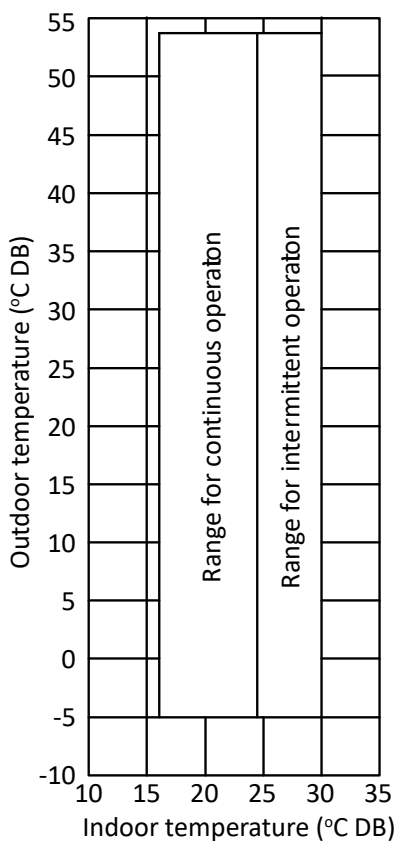
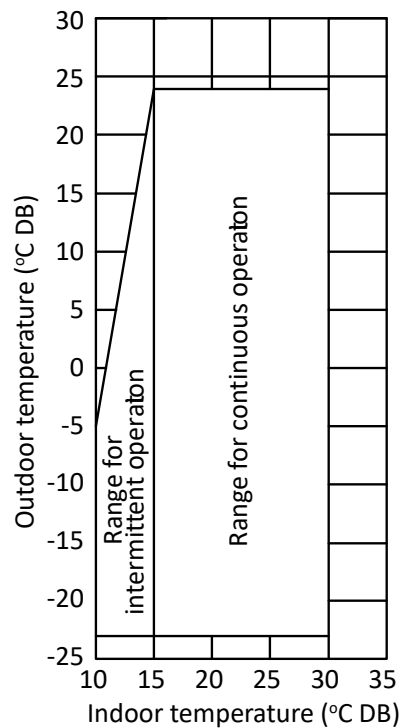


Figure 2-9.2: Heating operating limits



Notes:

1. These figures assume the following operating conditions:
  - Equivalent piping length: 7.5m
  - Level difference: 0



## 10 Sound Levels

### 10.1 Overall

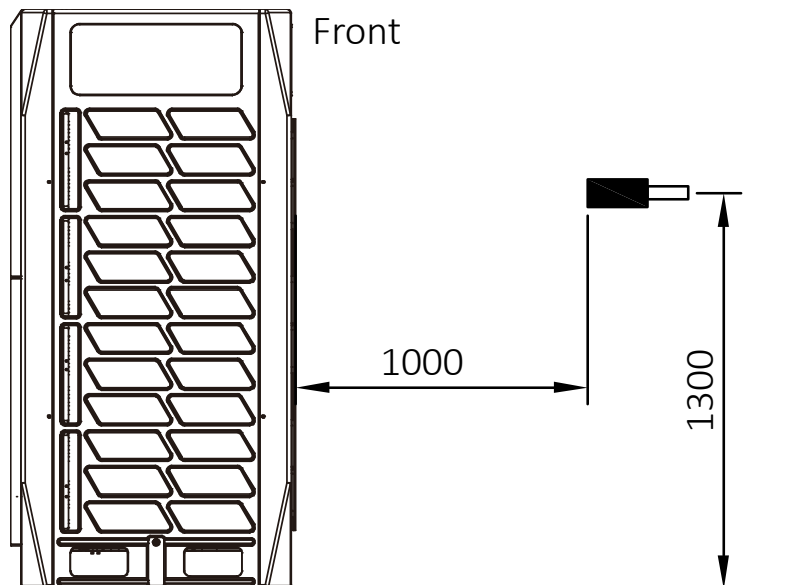
Table 2-10.1: Sound pressure level

Model	dB(A)
8HP	58
10HP	58
12HP	60
14HP	60
16HP	61
18HP	62
20HP	63
22HP	63
24HP	64
26HP	64
28HP	64
30HP	64
32HP	64

Notes:

1. Sound pressure level is measured at a position 1m in front of the unit and 1.3m above the floor in a semi-anechoic chamber. During in-situ operation, sound pressure levels may be higher as a result of ambient noise.

Figure 2-10.1: Sound pressure level measurement (unit: mm)



## 10.2 Octave Band Levels

Figure 2-10.2 8/10HP octave band level

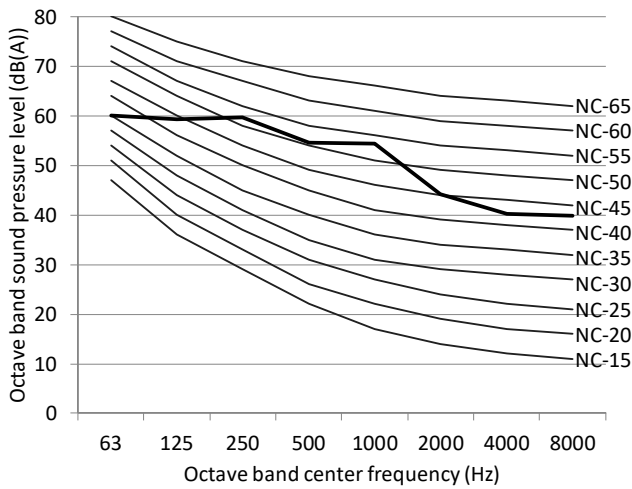


Figure 2-10.3 12/14HP octave band level

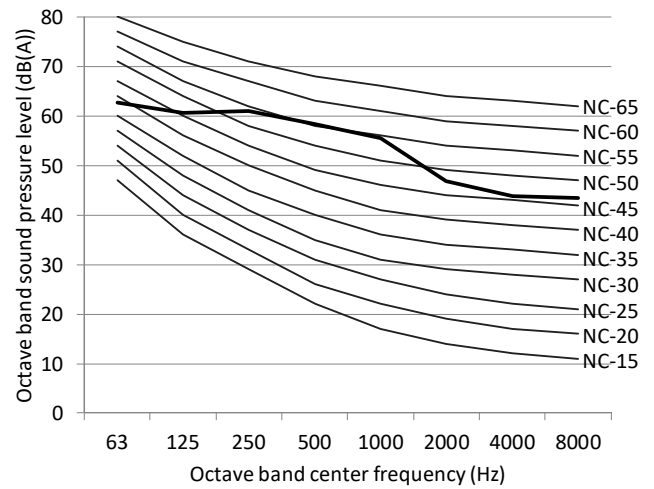


Figure 2-10.4 16HP octave band level

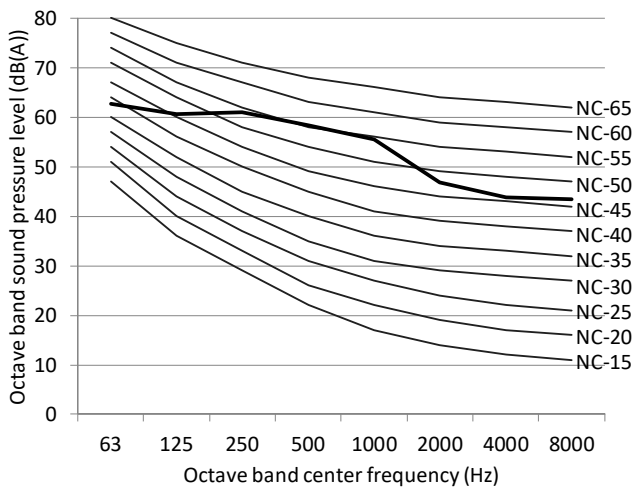


Figure 2-10.5 18HP octave band level

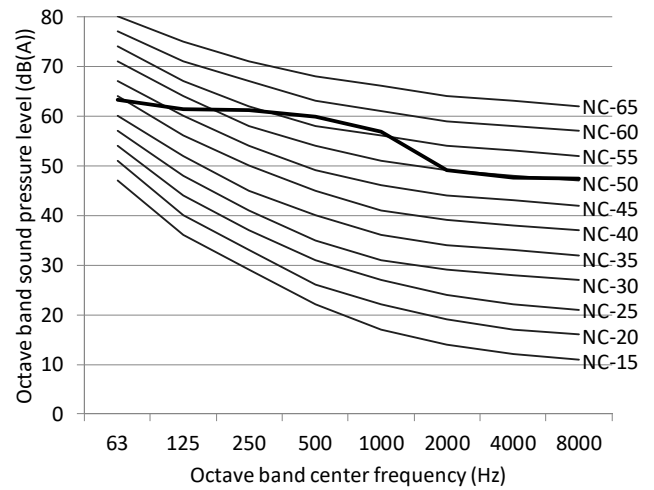


Figure 2-10.6 20/22HP octave band level

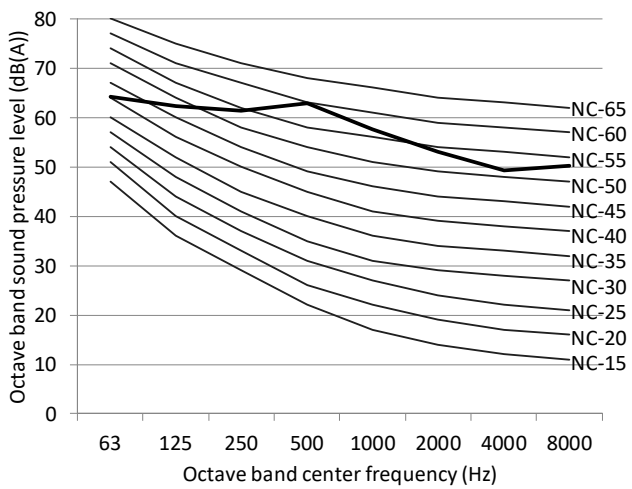
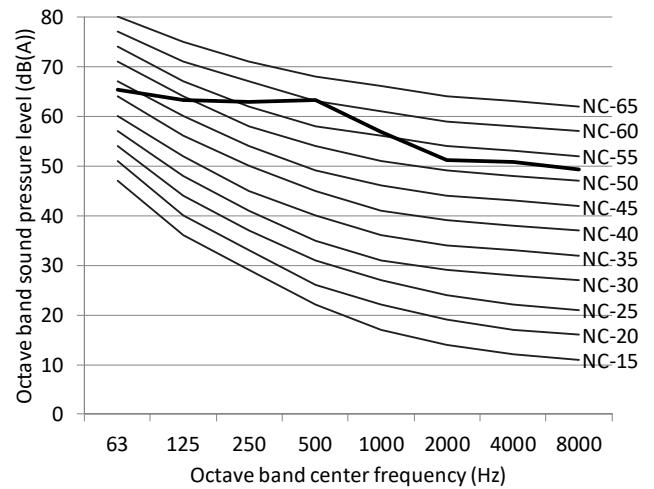



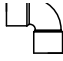




Figure 2-10.7 24/26/28/30/32HP octave band level



## 11 Accessories

### 11.1 Standard Accessories

Table 2-11.1: Standard accessories

Name	Shape	Quantity	Function
Outdoor unit installation manual		1	
Outdoor unit owner's manual		1	
Indoor unit owner's manual		2	
Flat-blade screwdriver	-	1	Adjusting indoor and outdoor unit dial switches
90° elbow		1	Connecting pipes
Seal plug		8	Used in pipe flushing
Connection pipe		3	Connecting pipes
Matched resistor		2	Enhances communication stability
Wrench		1	Removing side plate
Accessory bag	-	1	

### 11.2 Optional Accessories

Table 2-11.2: Optional accessories

Optional accessories	Model	Packed dimensions (mm)	Net/gross weight (kg)	Function
Indoor branch joint kits	FQZHN-01D	290×105×100	0.3 / 0.4	Distribute refrigerant to indoor units and balance flow resistance between outdoor units
	FQZHN-02D	290×105×100	0.4 / 0.6	
	FQZHN-03D	310×130×125	0.6 / 0.9	
	FQZHN-04D	350×170×180	1.1 / 1.5	



# Part 3

# System Design and Installation

1	Preface to Part 3 .....	198
2	Unit Placement and Installation.....	199
3	Outdoor Unit Ducting and Shielding .....	202
4	Refrigerant Piping Design.....	208
5	Refrigerant Piping Installation.....	217
6	Drain Piping .....	228
7	Insulation .....	231
8	Charging Refrigerant .....	233
9	Electrical Wiring.....	235
10	Installation in Areas of High Salinity .....	238
11	Commissioning .....	239
12	Appendix to Part 3 – System Commissioning Report .....	241

## 1 Preface to Part 3

### 1.1 Notes for Installers Boxes

The information contained in this Engineering Data Book may primarily be of use during the system design stage of a Midea V6-i Series VRF project. Additional important information which may primarily be of use during field installation has been placed in boxes, such as the example below, titled “Notes for installers”.

#### Notes for installers



- Notes for installers boxes contain important information which may primarily be of use during field installation, rather than during desk-based system design.

### 1.2 Definitions

In this Engineering Data Book, the term “applicable legislation” refers to all national, local and other laws, standards, codes, rules, regulations and other legislation that apply in a given situation.

### 1.3 Precautions

All system installation including installation of piping and electrical works must only be carried out by competent and suitably qualified, certified and accredited professionals and in accordance with all applicable legislation.

## 2 Unit Placement and Installation

### 2.1 Outdoor Units

#### 2.1.1 Placement considerations

Placement of outdoor units should take account of the following considerations:

- Air conditioners should not be exposed to direct radiation from a high-temperature heat source.
- Air conditioners should not be installed in positions where dust or dirt may affect heat exchangers.
- Air conditioners should not be installed in locations where exposure to oil or to corrosive or harmful gases, such as acidic or alkaline gases, may occur.
- Air conditioners should not be installed in locations where exposure to salinity may occur unless the anti-corrosion treatment for high-salinity areas customization option has been added and the precautions described in Part 3, 10 “Installation in Areas of High Salinity” are taken.
- Outdoor units should be installed in well-drained, well-ventilated positions that are as close as possible to the indoor units.

#### 2.1.2 Spacing

Outdoor units must be spaced such that sufficient air may flow through each unit. Sufficient airflow across heat exchangers is essential for outdoor units to function properly. Figures 3-2.1 to 3-2.3 show spacing requirements in three different scenarios.

If the particular circumstances of an installation require a unit to be placed closer to a wall than specified in Figures 3-2.1 to 3-2.3, a discharge duct should be installed. Refer to Part 3, 3 “Outdoor Unit Ducting and Shielding”. Depending on the height of adjacent walls relative to the height of the units, ducting may be required. Refer to Part 3, 3 “Outdoor Unit Ducting and Shielding”.

Figure 3-2.1: Single unit installation (unit: mm)

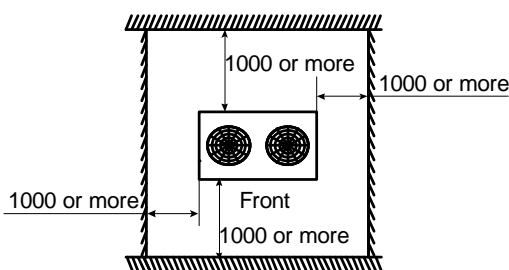


Figure 3-2.2: Single row installation (unit: mm)

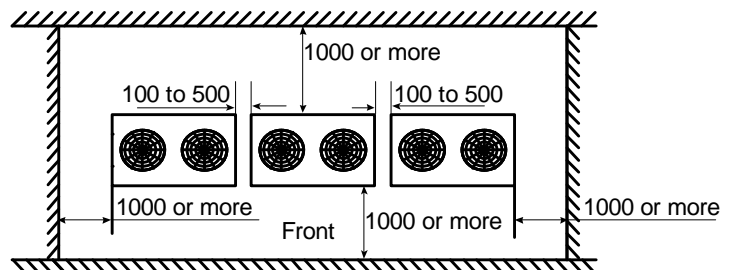
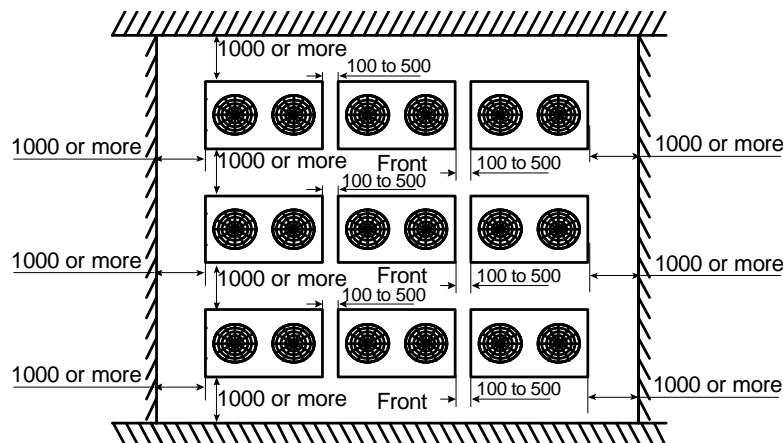


Figure 3-2.3: Multi-row installation (unit: mm)





## 2.1.3 Base structures

Outdoor unit base structure design should take account of the following considerations:

- A solid base prevents excess vibration and noise. Outdoor unit bases should be constructed on solid ground or on structures of sufficient strength to support the units' weight.
- Bases should be at least 200mm high to provide sufficient access for installation of piping.
- Either steel or concrete bases may be suitable.
- A typical concrete base design is shown in Figure 3-2.4. A typical concrete specification is 1 part cement, 2 parts sand and 4 parts crushed stone with  $\Phi 10$ mm steel reinforcing bar. The edges of the base should be chamfered.
- To ensure that all contact points are equally secure, bases should be completely level. Base design should ensure that the points on the units' bases designed for weight-bearing support are fully supported. Bolt spacings should be as per Figure 3-2.5 and Table 3-2.1.
- A drainage ditch should be provided to allow drainage of condensate that may form on the heat exchangers when the units are running in heating mode. The drainage should ensure that condensate is directed away from roadways and footpaths, especially in locations where the climate is such that condensate may freeze.

Figure 3-2.4: Outdoor unit typical concrete base structure design (unit: mm)

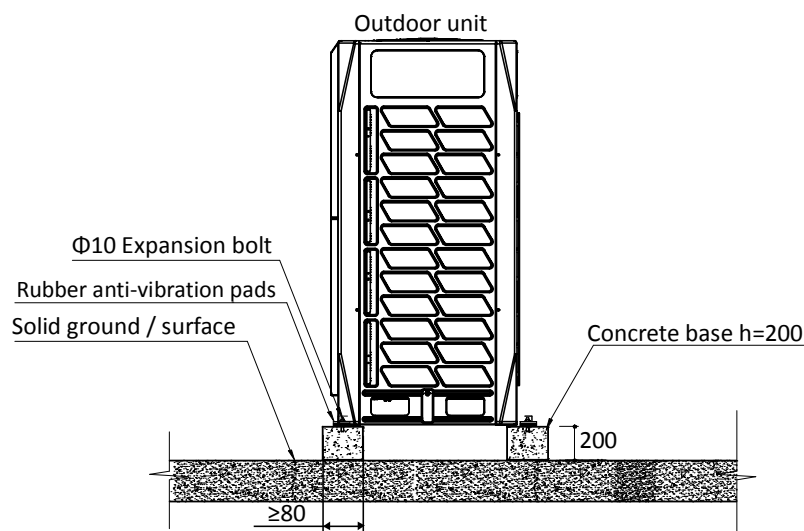


Figure 3-2.5: Expansion bolt positioning

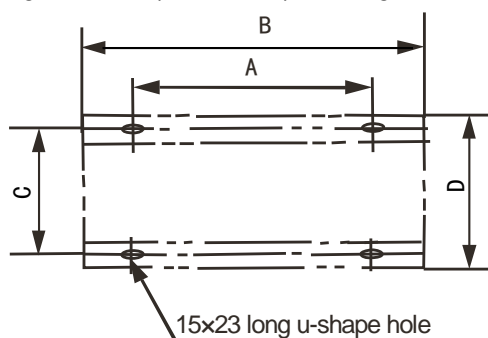


Table 3-2.1: Expansion bolt spacings

Dimension (mm)	8-12HP	14-22HP	24-32HP
A	740	1090	1480
B	990	1340	1730
C	723	723	723
D	790	790	790

## 2.1.4 Acceptance and unpacking

### Notes for installers



- When units are delivered check whether any damage occurred during shipment. If there is damage to the surface or outside of a unit, submit a written report to the shipping company.
- Check that the model, specifications and quantity of the units delivered are as ordered.
- Check that all accessories ordered have been included. Retain the Owner's Manual for future reference.

### 2.1.5 Hoisting

#### Notes for installers



- Do not remove any packaging before hoisting. If units are not packaged or if the packaging is damaged, use suitable boards or packing material to protect the units.
- Hoist one unit at a time, using two ropes to ensure stability.
- Keep units upright during hoisting, ensuring that the angle to the vertical does not exceed 30°.

## 2.2 Indoor Units

### 2.2.1 Placement considerations

Placement of indoor units should take account of the following considerations:

- Sufficient space for drain piping and for access during servicing and maintenance should be allowed.
- To ensure a good cooling/heating effect, short-circuit ventilation (where outlet air returns quickly to a unit's air inlet) should be avoided.
- To prevent excessive noise or vibration during operation, suspension rods or other weight-bearing fixings should typically be able to bear twice the unit's weight.

#### Notes for installers



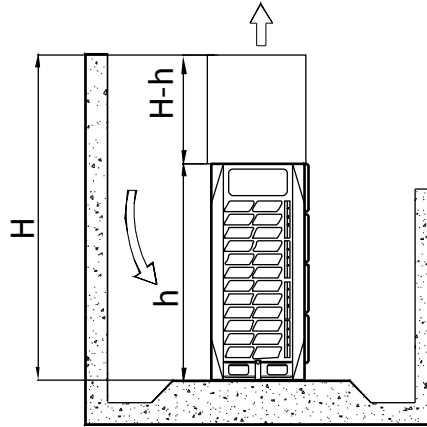
- Before installing an indoor unit, check that the model to be installed is as specified in the construction drawings and confirm the correct orientation of the unit.
- Ensure that units are installed at the correct height.
- To allow smooth condensate drainage and to ensure unit stability (to prevent excessive noise or vibration), ensure that units are level to within 1° of the horizontal. If a unit is not level to within 1° of the horizontal, water leakage or abnormal vibration/noise may occur.

### 3 Outdoor Unit Ducting and Shielding

#### 3.1 Ducting Requirements

Depending on the height of adjacent walls relative to the height of the units, ducting may be required to ensure proper air discharge. In the situation depicted in Figure 3-3.1, the vertical section of ducting should be at least  $H-h$  high.

Figure 3-3.1: Top of unit below top of adjacent wall



#### 3.2 Design Considerations

Outdoor unit ducting design should take account of the following:

- Each duct should contain no more than one bend.
- Vibration isolation should be added to the connection between the unit and the ducting to avoid vibration/noise.
- Installing louvers is required as doing for safety, they should be installed at an angle no greater than  $15^\circ$  to the horizontal, to minimize the impact on airflow..

### 3.3 Ducting for 8HP, 10HP and 12HP Units

#### 3.3.1 Option A – Transverse ducting

Figure 3-3.2: Transverse ducting for 8HP, 10HP and 12HP units (unit: mm)

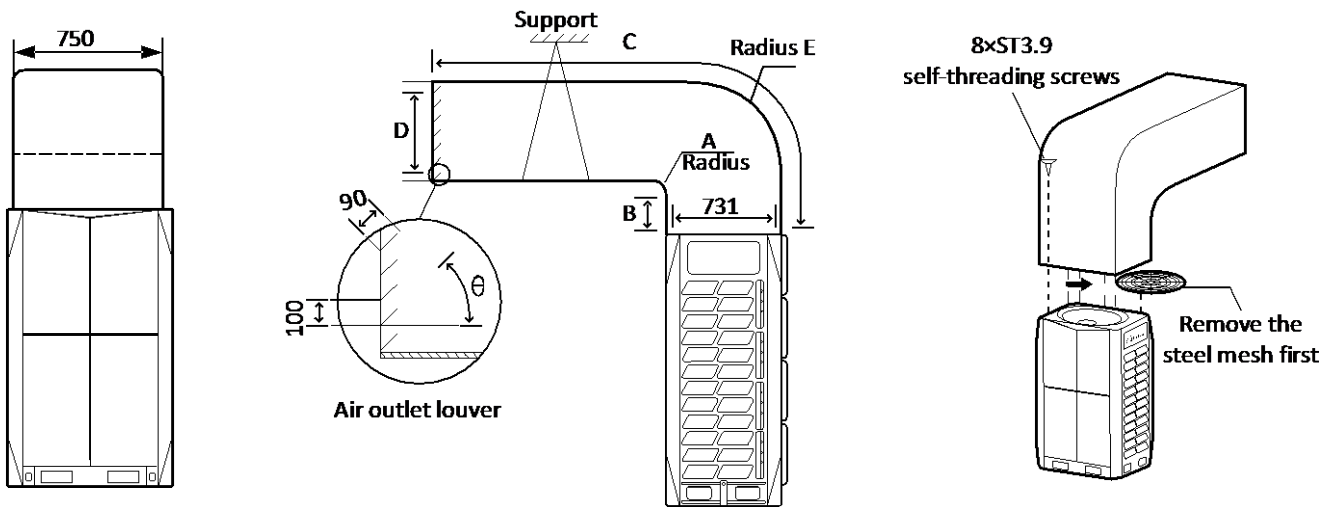


Table 3-3.1: Duct dimensions

Dimensions (mm)	
A	$A \geq 300$
B	$B \geq 250$
C	$C \leq 3000$
D	$731 \leq D \leq 770$
E	$E = A + 731$
$\theta$	$\theta \leq 15^\circ$

Table 3-3.2: External static pressure

ESP (Pa)	Remarks
0	Factory default
0 – 20	Remove steel mesh and connect to duct < 3m long
> 20	Customization option

#### 3.3.2 Option B – Longitudinal ducting

Figure 3-3.3: Longitudinal ducting for 8HP, 10HP and 12HP units (unit: mm)

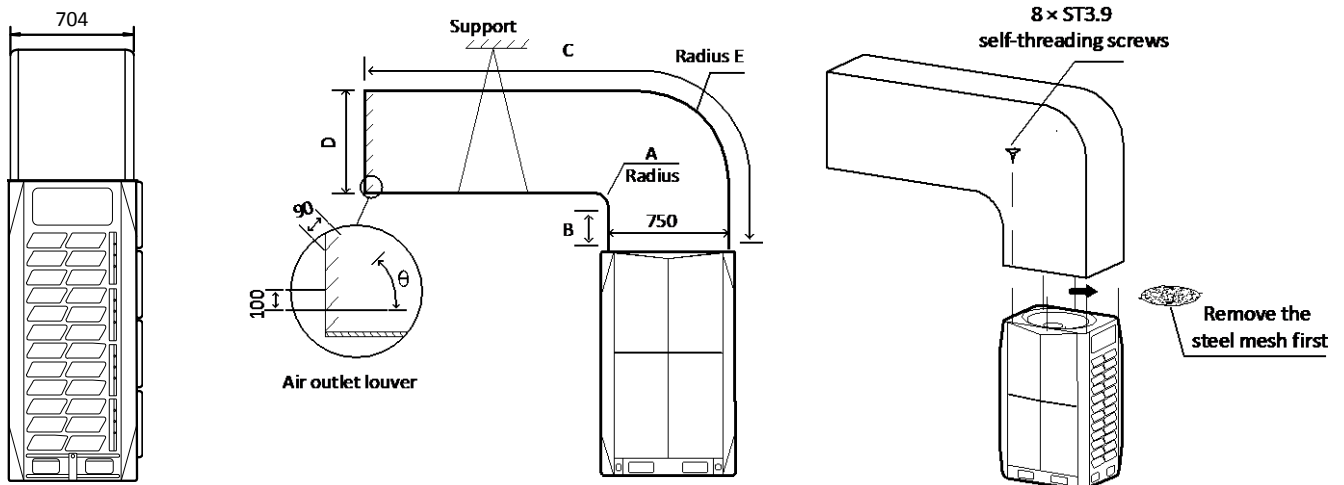


Table 3-3.3: Duct dimensions

Dimensions (mm)	
A	$A \geq 300$
B	$B \geq 250$
C	$C \leq 3000$
D	$D \geq 750$
E	$E = A + 750$
$\theta$	$\theta \leq 15^\circ$

Table 3-3.4: External static pressure

ESP (Pa)	Remarks
0	Factory default
0 – 20	Remove steel mesh and connect to duct < 3m long
> 20	Customization option

# V6-i VRF 50/60Hz



## Ducting for 14HP, 16HP and 18HP Units

### 3.3.3 Option A – Transverse ducting

Figure 3-3.4: Transverse ducting for 14HP,16HP and 18HP units (unit: mm)

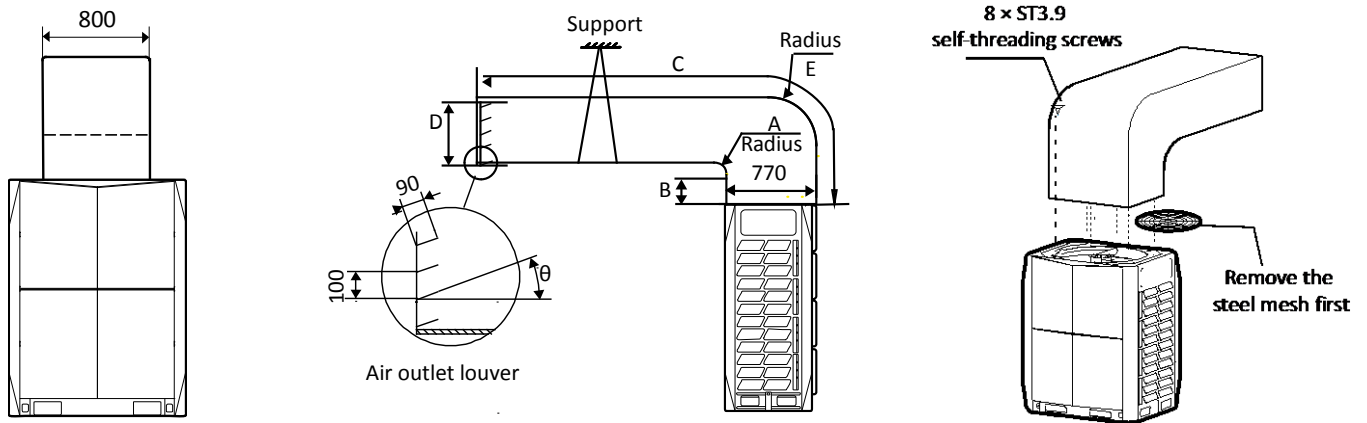


Table 3-3.5: Duct dimensions

Dimensions (mm)	
A	$A \geq 300$
B	$B \geq 250$
C	$C \leq 3000$
D	$770 \leq D \leq 800$
E	$E = A + 770$
$\theta$	$\theta \leq 15^\circ$

Table 3-3.6: External static pressure

ESP (Pa)	Remarks
0	Factory default
0 – 20	Remove steel mesh and connect to duct < 3m long
> 20	Customization option

### 3.3.4 Option B – Longitudinal ducting

Figure 3-3.5: Longitudinal ducting for 14H,16HP and 18HP units (unit: mm)

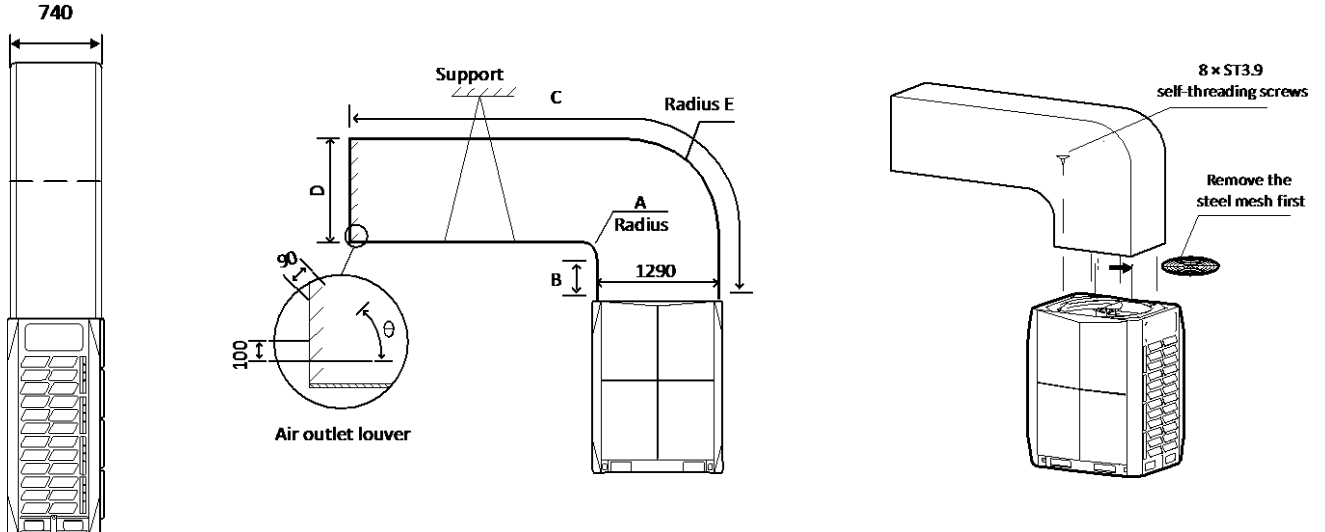


Table 3-3.7: Duct dimensions

Dimensions (mm)	
A	$A \geq 300$
B	$B \geq 250$
C	$C \leq 3000$
D	$D \geq 1290$
E	$E = A + 1290$
$\theta$	$\theta \leq 15^\circ$

Table 3-3.8: External static pressure

ESP (Pa)	Remarks
0	Factory default
0 – 20	Remove steel mesh and connect to duct < 3m long
> 20	Customization option

**Ducting for 20HP and 22HP Units**
**3.3.5 Option A – Transverse ducting**

Figure 3-3.6: Transverse ducting for 20HP and 22HP units (unit: mm)

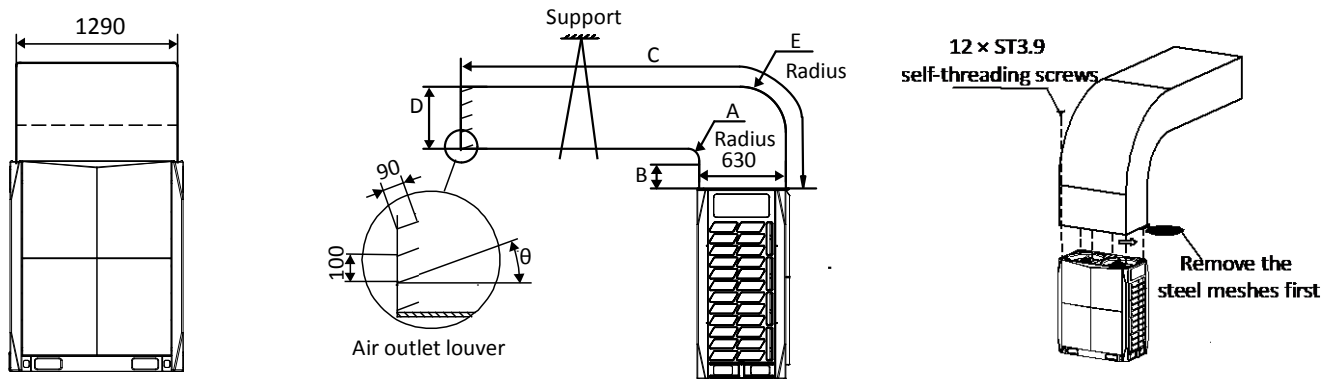


Table 3-3.9: Duct dimensions

Dimensions (mm)	
A	$A \geq 300$
B	$B \geq 250$
C	$C \leq 3000$
D	$630 \leq D \leq 660$
E	$E = A + 630$
$\theta$	$\theta \leq 15^\circ$

Table 3-3.10: External static pressure

ESP (Pa)	Remarks
0	Factory default
0 – 20	Remove steel mesh and connect to duct < 3m long
> 20	Customization option

**3.3.6 Option B – Longitudinal ducting**

Figure 3-3.7: Longitudinal ducting for 20HP and 22HP units (unit: mm)

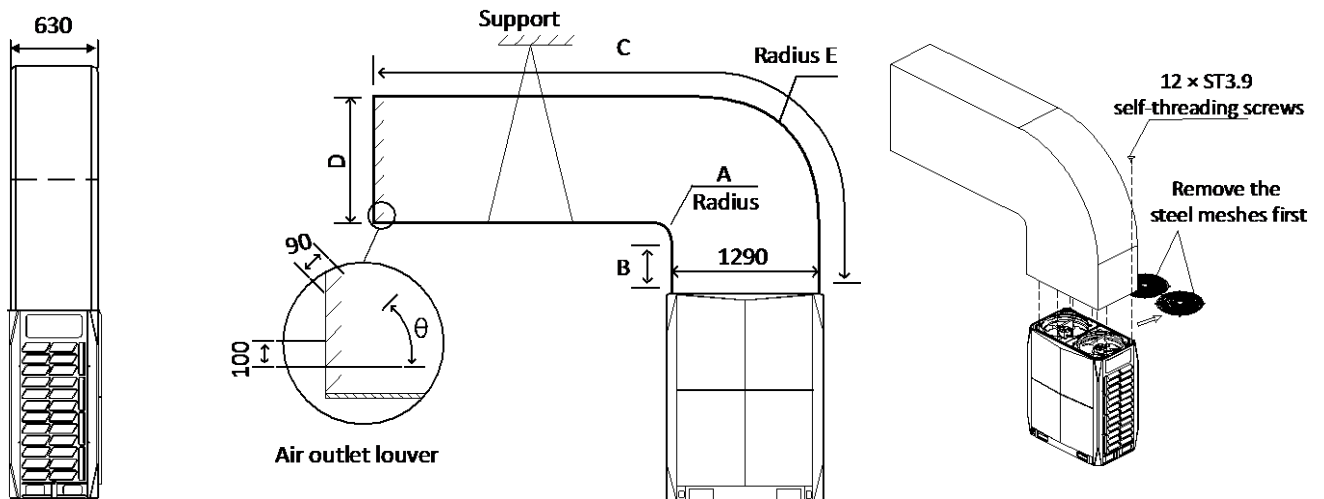


Table 3-3.11: Duct dimensions

Dimensions (mm)	
A	$A \geq 300$
B	$B \geq 250$
C	$C \leq 3000$
D	$D \geq 1290$
E	$E = A + 1290$
$\theta$	$\theta \leq 15^\circ$

Table 3-3.12: External static pressure

ESP (Pa)	Remarks
0	Factory default
0 – 20	Remove steel mesh and connect to duct < 3m long
> 20	Customization option

# V6-i VRF 50/60Hz



## Ducting for 24HP, 26HP, 28HP, 30HP and 32HP Units

### 3.3.7 Transverse ducting only

Figure 3-3.8: Transverse ducting for 24HP, 26HP, 28HP, 30HP and 32HP units (unit: mm)

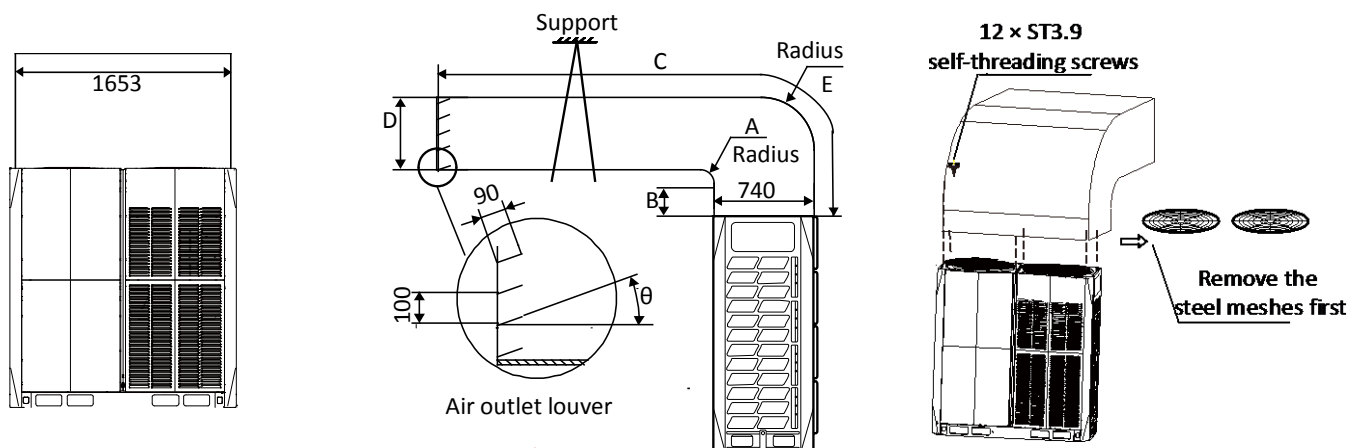


Table 3-3.13: Duct dimensions

Dimensions (mm)	
A	$A \geq 300$
B	$B \geq 250$
C	$C \leq 3000$
D	$740 \leq D \leq 770$
E	$E = A + 740$
$\theta$	$\theta \leq 15^\circ$

Table 3-3.14: External static pressure

ESP (Pa)	Remarks
0	Factory default
0 – 20	Remove steel mesh and connect to duct < 3m long
> 20	Customization option



### 3.4 Fan Performance

The default external static pressure of outdoor units' air outlets is zero. With the steel mesh cover removed the external static pressure is 20Pa.

Figure 3-3.9: 8-12HP units fan performance

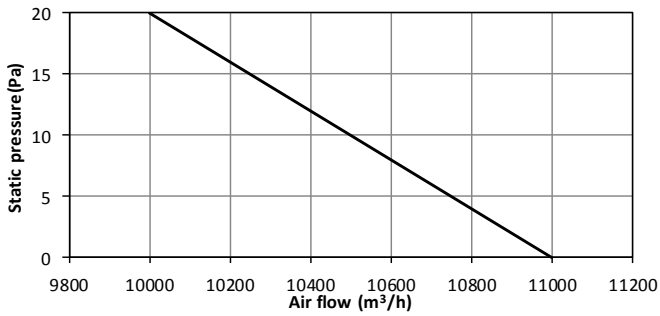


Figure 3-3.10: 14-18HP units fan performance

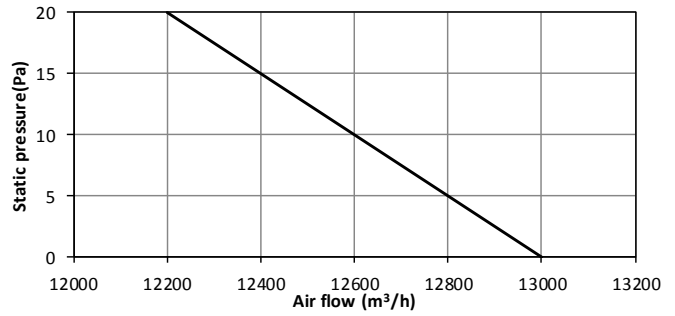


Figure 3-3.11: 20-22HP units fan performance

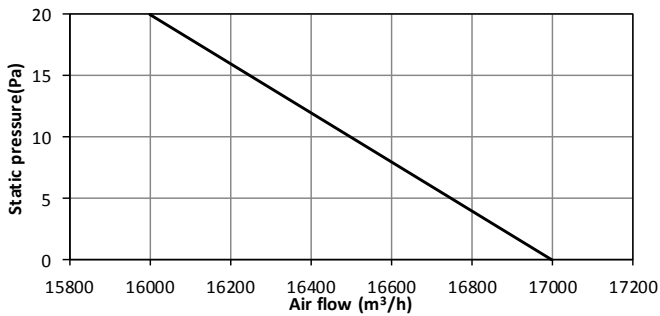


Figure 3-3.12: 24-28HP units fan performance

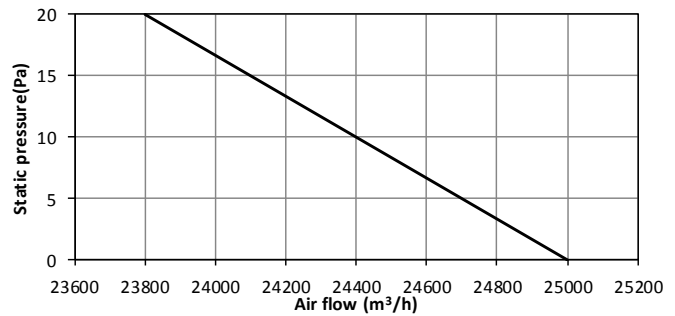
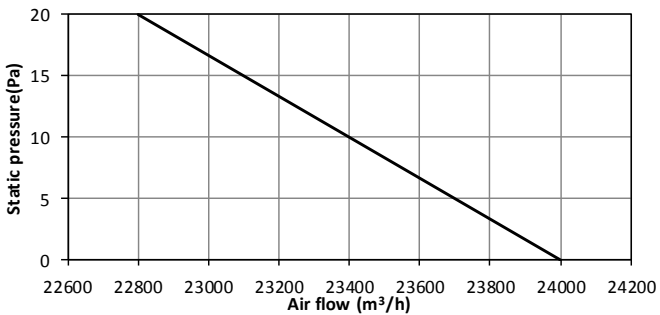


Figure 3-3.13: 30-32HP units fan performance



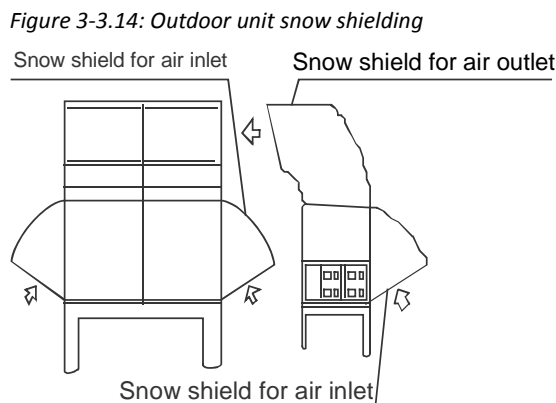
#### Notes for installers



- Before installing outdoor unit ducting, be sure to remove the unit's steel mesh cover, otherwise airflow will be adversely affected.

### 3.5 Snow Shielding

In areas of high snowfall, snow shields should be installed on air inlets and outlets to prevent snow from entering the units. Additionally, the height of the base structures should be increased so as to raise the units further off the ground.



## 4 Refrigerant Piping Design

### 4.1 Design Considerations

Refrigerant piping design should take account of the following considerations:

- The amount of brazing required should be kept to a minimum.
- On the two inside sides of the first indoor branch joint ("A" in Figures 3-4.2, 3-4.3 and 3-4.4) the system should, as far as possible, be equal in terms of number of units, total capacities and total piping lengths.

### 4.2 Material Specification

Only seamless phosphorus-deoxidized copper piping that complies with all applicable legislation should be used. Temper grades and minimum thicknesses for different diameters of piping are specified in Table 3-4.1.

Table 3-4.1: Piping temper and thickness

Piping outer diameter (mm)	Temper <sup>1</sup>	Minimum thickness (mm)
Φ6.35	O (annealed)	0.8
Φ9.53		0.8
Φ12.7		0.8
Φ15.9		1.0
Φ19.1		1.0
Φ22.2	1/2H (half hard)	1.2
Φ25.4		1.2
Φ28.6		1.3
Φ31.8		1.5
Φ38.1		1.5
Φ41.3		1.5
Φ44.5		1.5
Φ54.0	1.8	

Notes:

1. O: coiled piping; 1/2H: straight piping.

### 4.3 Permitted Piping Lengths and Level Differences

The piping length and level difference requirements that apply are summarized in Table 3-4.3 and are fully described as follows (refer to Figure 3-4.2):

1. **Requirement 1:** The total length of piping in one refrigerant system should not exceed 1000m. When calculating the total length of piping, the actual length of the indoor main pipes (the piping between the first indoor branch joint and all other indoor branch joints,  $L_2$  to  $L_9$ ) should be doubled.
2. **Requirement 2:** The piping between the farthest indoor unit ( $N_{10}$ ) and the outdoor unit should not exceed 175m (actual length) and 200m (equivalent length). (The equivalent length of each branch joint is 0.5m.)
3. **Requirement 3:** The piping between the farthest indoor unit ( $N_{10}$ ) and first indoor branch joint (A) should not exceed 40m in length ( $L_5 + L_8 + L_9 + j \leq 40m$ ) unless the following conditions are met and the following measures are taken, in which case the permitted length is up to 90m:

**Conditions:**

- a) Each indoor auxiliary pipe (from each indoor unit to its nearest branch joint) joint does not exceed 20m in length (a to m each  $\leq 20m$ ).
- b) The difference in length between {the piping from first indoor branch joint (A) to the farthest indoor unit ( $N_{10}$ )} and {the piping from the first indoor branch joint (A) to the nearest indoor unit ( $N_1$ )} does not exceed 40m. That is:  $(L_5 + L_8 + L_9 + j) - (L_2 + L_3 + a) \leq 40m$ .

**Measures:**

- a) Increase the diameter of the indoor main pipes (the piping between the first indoor branch joint and all other indoor branch joints,  $L_2$  to  $L_9$ ) as per Table 3-4.2, except for indoor main pipes which are already the same size as the main pipe ( $L_1$ ), for which no diameter increases are required.
4. **Requirement 4:** The largest level difference between indoor unit and outdoor unit should not exceed 90m (if the outdoor unit is above) or 110m (if the outdoor unit is below). Additionally: (i) If the outdoor unit is above and the level difference is greater than 20m, it is recommended that an oil return bend with dimensions as specified in Figure 3-4.1 is set every 10m in the gas pipe of the main pipe; and (ii) if the outdoor unit is below and the level difference is more than 40m, the liquid pipe of the main pipe ( $L_1$ ) should be increased as per Table 3-4.2.
  5. **Requirement 5:** The largest level difference between indoor units should not exceed 30m.

Table 3-4.2: Diameter increase requirements

Original (mm)	Increased (mm)
Φ9.53	Φ12.7
Φ12.7	Φ15.9
Φ15.9	Φ19.1
Φ19.1	Φ22.2
Φ22.2	Φ25.4
Φ25.4	Φ28.6
Φ28.6	Φ31.8
Φ31.8	Φ38.1
Φ38.1	Φ41.3
Φ41.3	Φ44.5
Φ44.5	Φ54.0

Figure 3-4.1: Oil return bend (unit: mm)

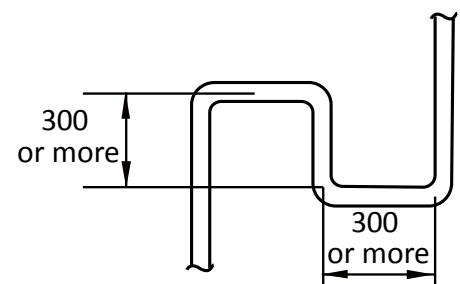
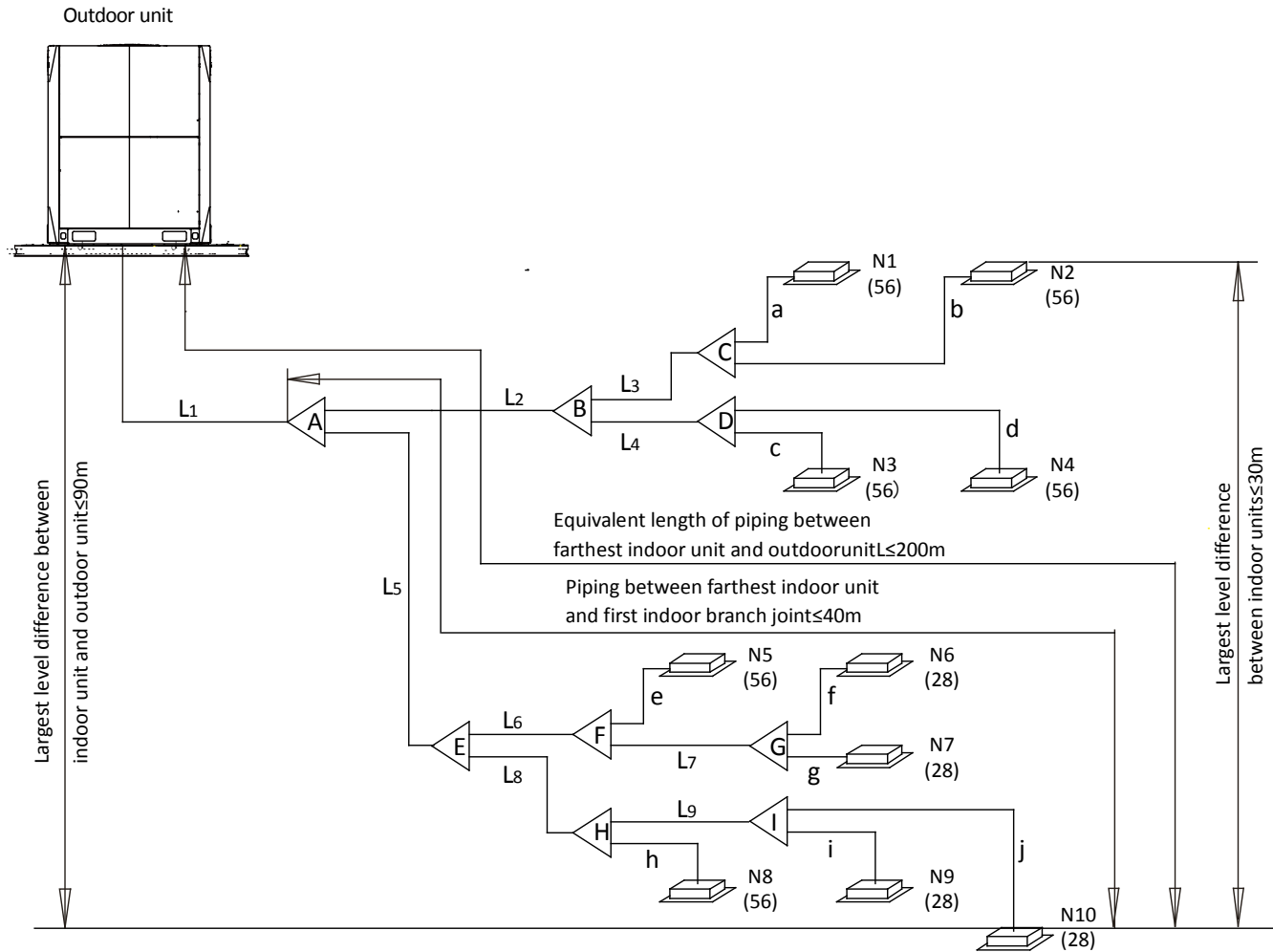


Figure 3-4.2: Permitted refrigerant piping lengths and level differences



Legend		
L <sub>1</sub>	Main pipe	Figures in parentheses indicate indoor unit capacity indexes.
L <sub>2</sub> to L <sub>9</sub>	Indoor main pipes	
a to j	Indoor auxiliary pipes	
A to I	Indoor branch joints	

Table 3-4.3: Summary of permitted refrigerant piping lengths and level differences

		Permitted values	Piping in Figure 3-4.2
Piping lengths	Total piping length <sup>1</sup>	≤ 1000m	$L_1 + 2 \times \sum\{L_2 \text{ to } L_9\} + \sum\{a \text{ to } j\}$
	Piping between farthest indoor unit and outdoor unit	Actual length	≤ 175m
		Equivalent length	≤ 200m
	Piping between farthest indoor unit and first indoor branch joint <sup>3</sup>	≤ 40m / 90m	$L_5 + L_8 + L_9 + j$
Level differences	Largest level difference between indoor unit and outdoor unit <sup>4</sup>	Outdoor unit is above	≤ 90m
		Outdoor unit is below	≤ 110m
	Largest level difference between indoor units <sup>5</sup>	≤ 30m	

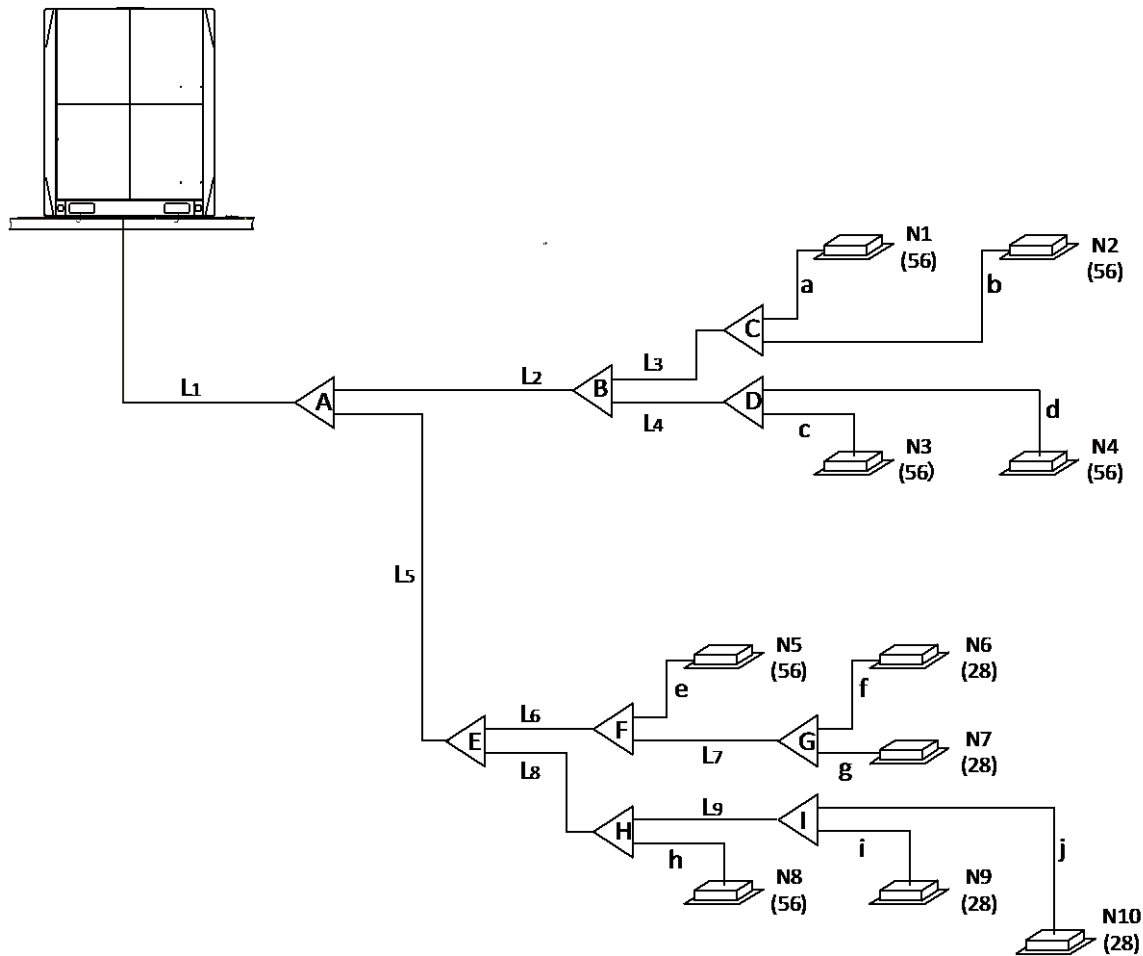
Notes:

1. Refer to Requirement 1, above.
2. Refer to Requirement 2, above.
3. Refer to Requirement 3, above.
4. Refer to Requirement 4, above.
5. Refer to Requirement 5, above.

### 4.4 Selecting Piping Diameters

Tables 3-4.4 to 3-4.8, below, specify the required pipe diameters for the indoor and outdoor piping. The main pipe (L<sub>1</sub>) and first indoor branch joint (A) should be sized according to whichever of Tables 3-4.4 and 3-4.5 indicates the larger size.

Figure 3-4.3: Selecting piping diameters



Legend		
L <sub>1</sub>	Main pipe	Figures in parentheses indicate indoor unit capacity indexes.
L <sub>2</sub> to L <sub>9</sub>	Indoor main pipes	
a to j	Indoor auxiliary pipes	
A to I	Indoor branch joints	

Table 3-4.4: Main pipe<sup>1</sup> (L<sub>1</sub>), indoor main pipes (L<sub>2</sub> to L<sub>16</sub>) and indoor branch joint kits

Total capacity indexes of indoor units	Gas pipe (mm)	Liquid pipe (mm)	Branch joint kit
Capacity indexes < 168	Φ15.9	Φ9.53	FQZHN-01D
168 ≤ Capacity indexes < 224	Φ19.1	Φ9.53	FQZHN-01D
224 ≤ Capacity indexes < 330	Φ22.2	Φ9.53	FQZHN-02D
330 ≤ Capacity indexes < 470	Φ28.6	Φ12.7	FQZHN-03D
470 ≤ Capacity indexes < 710	Φ28.6	Φ15.9	FQZHN-03D
710 ≤ Capacity indexes < 1040	Φ31.8	Φ19.1	FQZHN-03D
1040 ≤ Capacity indexes < 1540	Φ38.1	Φ19.1	FQZHN-04D

Notes:

- The main pipe (L<sub>1</sub>) and first indoor branch joint (A) should be sized according to whichever of Tables 3-4.4 and 3-4.5 indicates the larger size.

Table 3-4.5: Main pipe<sup>1</sup> (L<sub>1</sub>) and first indoor branch joint (A)

Capacity of outdoor unit	Equivalent length of all liquid pipes < 90m			Equivalent length of all liquid pipes ≥ 90m		
	Gas pipe (mm)	Liquid pipe (mm)	Branch joint kit	Gas pipe (mm)	Liquid pipe (mm)	Branch joint kit
8HP	Φ19.1	Φ9.53	FQZHN-02D	Φ22.2	Φ12.7	FQZHN-02D
10HP	Φ22.2	Φ9.53	FQZHN-02D	Φ25.4	Φ12.7	FQZHN-02D
12-14HP	Φ25.4	Φ12.7	FQZHN-02D	Φ28.6	Φ15.9	FQZHN-03D
16HP	Φ28.6	Φ12.7	FQZHN-03D	Φ31.8	Φ15.9	FQZHN-03D
18-24HP	Φ28.6	Φ15.9	FQZHN-03D	Φ31.8	Φ19.1	FQZHN-03D
26-32HP	Φ31.8	Φ19.1	FQZHN-03D	Φ38.1	Φ22.2	FQZHN-04D

Notes:

- The main pipe (L<sub>1</sub>) and first indoor branch joint (A) should be sized according to whichever of Tables 3-4.4 and 3-4.5 indicates the larger size.

Table 3-4.6: Indoor auxiliary pipes (a to j)

Capacity of indoor unit (kW)	Pipe length ≤ 10m		Pipe length > 10m <sup>1</sup>	
	Gas pipe (mm)	Liquid pipe (mm)	Gas pipe (mm)	Liquid pipe (mm)
≤ 4.5	Φ12.7	Φ6.35	Φ15.9	Φ9.53
≥ 5.6	Φ15.9	Φ9.53	Φ19.1	Φ12.7

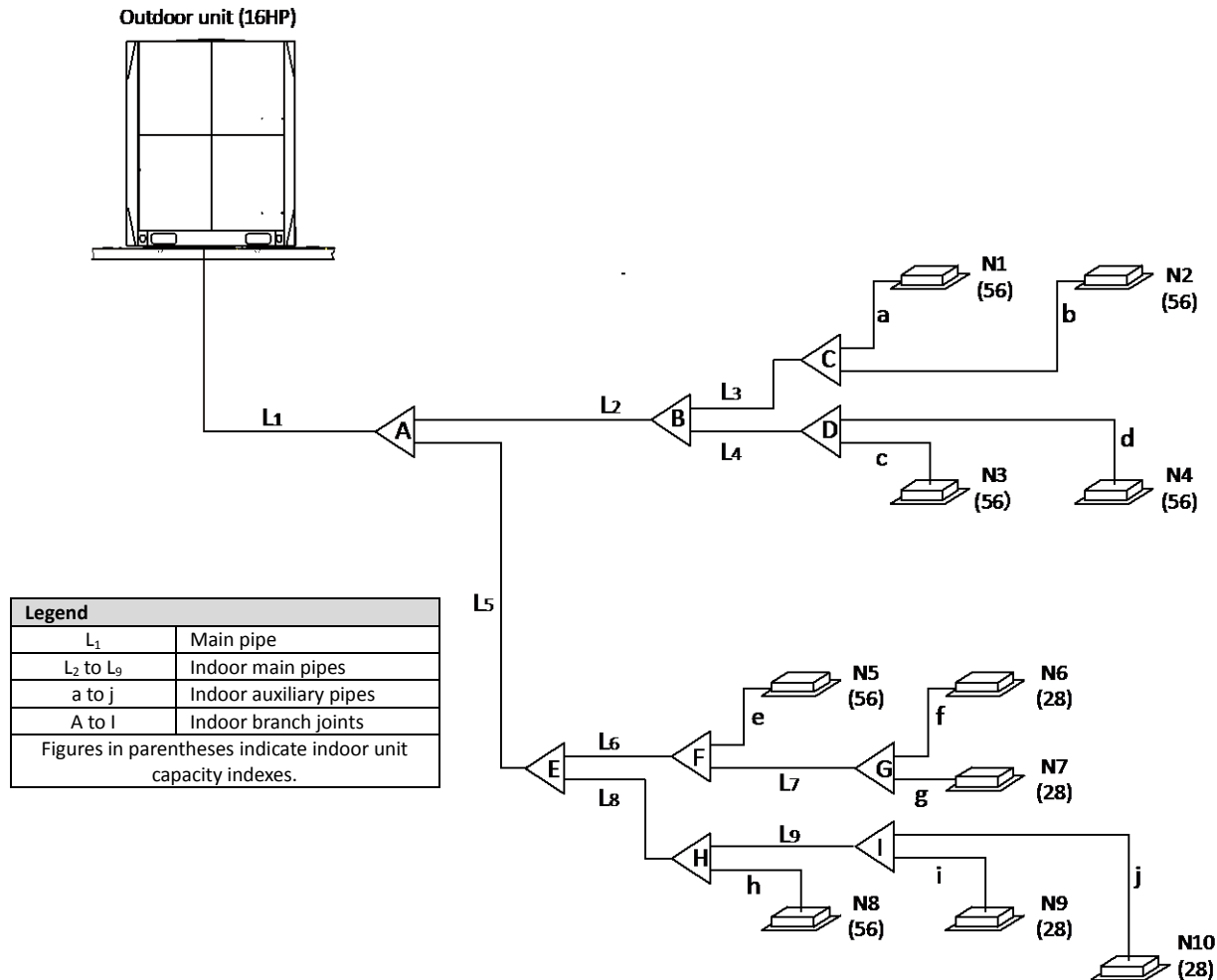
Notes:

- An indoor auxiliary pipe should not be larger than the indoor main pipe immediately upstream of it. For indoor auxiliary pipes greater than 10m in length with indoor units of capacity great than or equal to 5.6kW, the gas and liquid side pipes should each either be sized according to this table, or else be the same size as the indoor main pipe immediately upstream, whichever is smaller.

### 4.5 Refrigerant Piping Selection Example

The example below illustrates the piping selection procedure for a system consisting of one outdoor unit (16HP) and 10 indoor units. The system's equivalent length of all liquid pipes is in excess of 90m; the piping between the farthest indoor unit and the first indoor branch joint is less than 40m in length; and each indoor auxiliary pipe (from each indoor unit to its nearest branch joint) is less than 10m in length.

Figure 3-4.4: Refrigerant piping selection example



#### Step 1: Select indoor auxiliary pipes

- Indoor units N<sub>1</sub> to N<sub>5</sub>, and N<sub>8</sub> are of capacity 5.6kW and their indoor auxiliary pipes are less than 10m in length. Refer to Table 3-4.6. Indoor auxiliary pipes a to e, and h are Φ15.9 / Φ9.53.
- Indoor units N<sub>6</sub>, N<sub>7</sub>, N<sub>9</sub> and N<sub>10</sub> are of capacity less than 4.5kW and their indoor auxiliary pipes are less than 10m in length. Refer to Table 3-4.6. Indoor auxiliary pipes f, g, i and j are Φ12.7 / Φ6.35.

#### Step 2: Select indoor main pipes and indoor branch joints B to I

- The indoor units (N<sub>1</sub> and N<sub>2</sub>) downstream of indoor branch joint C have total capacity of 5.6 + 5.6 = 11.2kW. Refer to Table 3-4.4. Indoor main pipe L<sub>3</sub> is Φ15.9 / Φ9.53. Indoor branch joint C is FQZHN-01D.
- The indoor units (N<sub>1</sub> to N<sub>4</sub>) downstream of indoor branch joint B have total capacity of 5.6 x 4 = 22.4kW. Refer to Table 3-4.4. Indoor main pipe L<sub>2</sub> is Φ19.1 / Φ9.53. Indoor branch joint B is FQZHN-01D.
- The other indoor main pipes and indoor branch joints are selected in the same fashion.

#### Step 3: Select main pipe and indoor branch joint A

- The indoor units (N<sub>1</sub> to N<sub>10</sub>) downstream of indoor branch joint A have total capacity of 5.6 x 6 + 2.8 x 4 = 44.8kW. The system's equivalent length of all liquid pipes is in excess of 90m. The capacity of the outdoor unit is 16HP. Refer to Tables 3-4.4 and 3-4.5. Main pipe L<sub>1</sub> is the larger of Φ28.6 / Φ12.7 and Φ31.8 / Φ15.9, hence Φ31.8 / Φ15.9. Indoor branch joint A is FQZHN-03D.



## 4.6 Branch Joints

Branch joint design should take account of the following:

- U-shaped branch joints should be used – tee joints are not suitable. Branch joint dimensions are given in Tables 3-4.7.
- To ensure even distribution of refrigerant, branch joints should not be installed within 500mm of a 90° bend, another branch joint or the straight section of piping leading to an indoor unit, with the minimum 500mm being measured from the point where the branch joint is connected to the piping, as shown in Figure 3-4.5.

Figure 3-4.5: Branch joint spacing and separation from bends (unit: mm)

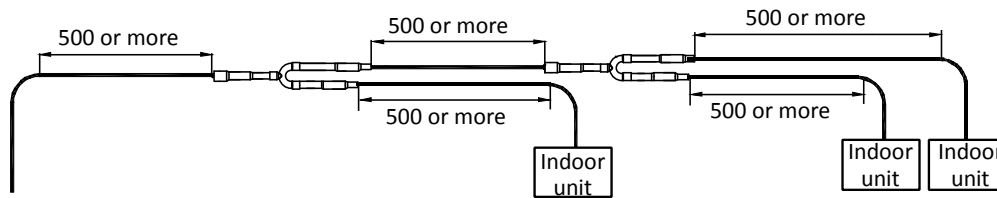


Table 3-4.7: Indoor branch joint dimensions (unit: mm)

Model	Gas side joints	Liquid side joints
FQZHN-01D		
FQZHN-02D		
FQZHN-03D		
FQZHN-04D		

## 4.7 Refrigerant Leakage Precautions

R410A refrigerant is not flammable in air at temperatures up to 100°C at atmospheric pressure and is generally considered a safe substance to use in air conditioning systems. Nevertheless, precautions should be taken to avoid danger to life in the unlikely event of a major refrigerant leakage. Precautions should be taken in accordance with all applicable legislation. Where no applicable legislation exists, the following may be used as a guide:

- Air conditioned rooms should be large enough that if leakage of all the refrigerant in the system occurs, the concentration of the refrigerant in the room does not reach a level dangerous to health.
- A critical concentration (at which point R410A becomes dangerous to human health) of 0.3 kg/m<sup>3</sup> can be used.
- The potential concentration of refrigerant in a room following a leak can be calculated as follows:
  - Calculate the total amount in of refrigerant in the system (“A”) as the nameplate charge (the charge in the system when delivered from the factory) plus the additional charge added as per Part 3, 8.1 “Calculating Additional Refrigerant Charge”.
  - Calculate the total volume (“B”) of the smallest room into which refrigerant could potentially leak.
  - Calculate the potential refrigerant concentration as A divided by B.
  - If A/B is not less than 0.3 kg/m<sup>3</sup>, countermeasures such installing mechanical ventilators (either ventilating regularly or controlled by refrigerant leakage detectors) should be taken.
- Since R410A is heavier than air, particular consideration should be given to leak scenarios in basement rooms.

Figure 3-4.6: Potential refrigerant leak scenario

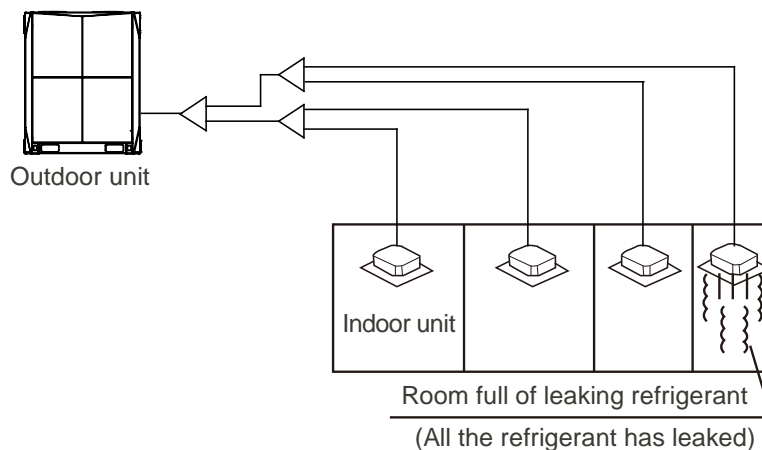
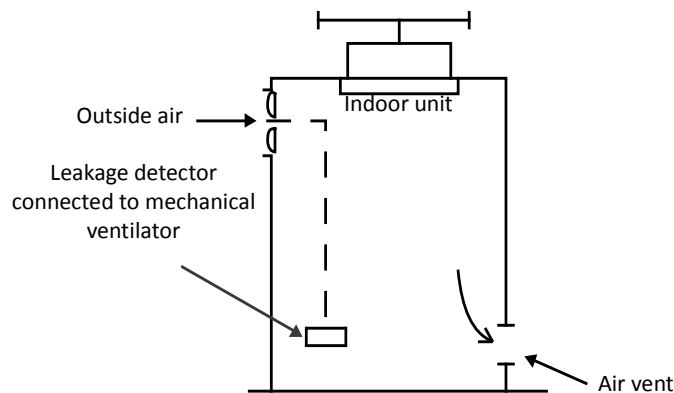


Figure 3-4.7: Mechanical ventilator controlled by refrigerant leak detector



## 5 Refrigerant Piping Installation

### 5.1 Procedure and Principles

#### 5.1.1 Installation procedure

##### Notes for installers



Installation of the refrigerant piping system should proceed in the following order:



Note: Pipe flushing should be performed once the brazed connections have been completed with the exception of the final connections to the indoor units. That is, flushing should be performed once the outdoor unit have been connected but before the indoor units are connected.

#### 5.1.2 Three principles for refrigerant piping

	Reasons	Measures
CLEAN	Particles such as oxide produced during brazing and/or building dust can lead to compressor malfunction	<ul style="list-style-type: none"> <li>Seal piping during storage<sup>1</sup></li> <li>Flow nitrogen during brazing<sup>2</sup></li> <li>Pipe flushing<sup>3</sup></li> </ul>
DRY	Moisture can lead to ice formation or oxidization of internal components leading to abnormal operation or compressor damage	<ul style="list-style-type: none"> <li>Pipe flushing<sup>3</sup></li> <li>Vacuum drying<sup>4</sup></li> </ul>
SEALED	Imperfect seals can lead to refrigerant leakage	<ul style="list-style-type: none"> <li>Pipe manipulation<sup>5</sup> and brazing<sup>2</sup> techniques</li> <li>Gastightness test<sup>6</sup></li> </ul>

Notes:

- See Part 3, 5.2.1 "Pipe delivery, storage and sealing".
- See Part 3, 5.5 "Brazing".
- See Part 3, 5.7 "Pipe Flushing".
- See Part 3, 5.9 "Vacuum Drying".
- See Part 3, 5.3 "Manipulating Copper Piping".
- See Part 3, 5.8 "Gastightness Test".

### 5.2 Storing Copper Piping

#### 5.2.1 Pipe delivery, storage and sealing

##### Notes for installers



- Ensure that piping does not get bent or deformed during delivery or whilst stored.
- On construction sites store piping in a designated location.
- To prevent dust or moisture entering, piping should be kept sealed whilst in storage and until it is about to be connected. If piping is to be used soon, seal the openings with plugs or adhesive tape. If piping is to be stored for a long time, charge the piping with nitrogen at 0.2-0.5MPa and seal the openings by brazing.
- Storing piping directly on the ground risks dust or water ingress. Wooden supports can be used to raise piping off the ground.
- During installation, ensure that piping to be inserted through a hole in a wall is sealed to ensure dust and/or fragments of wall do not enter.
- Be sure to seal piping being installed outdoors (especially if being installed vertically) to prevent rain entering.

### 5.3 Manipulating Copper Piping

#### 5.3.1 De-oiling

##### Notes for installers



- Lubrication oil used during some copper pipe manufacturing processes can cause deposits to form in R410A refrigerant systems, causing system errors. Oil-free copper piping should therefore be selected. If ordinary (oily) copper piping is used, it must be cleaned with gauze dipped in tetrachloroethylene solution prior to installation.

##### Caution

- Never use carbon tetrachloride (CCl<sub>4</sub>) for pipe cleansing or flushing, as doing so will seriously damage the system.

#### 5.3.2 Cutting copper piping and removing burrs

##### Notes for installers



- Use a pipe cutter rather than a saw or cutting machine to cut piping. Rotate the piping evenly and slowly, applying even force to ensure that the piping does not become deformed during cutting. Using a saw or cutting machine to cut piping runs the risk of copper shavings entering the piping. Copper shavings are difficult to remove and pose a serious risk to the system if they enter the compressor or block the throttling unit.
- After cutting using a pipe cutter, use a reamer/scrapper to remove any burrs that have formed at the opening, keeping the opening of the piping downwards to avoid copper shavings from entering the piping.
- Remove burrs carefully to avoid scratches, which may prevent a proper seal being formed and lead to refrigerant leakage.

5.3.3 Expanding copper piping ends

Notes for installers

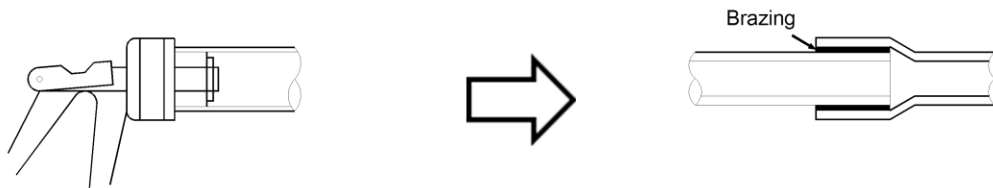


- Ends of copper piping can be expanded so that another length of piping can be inserted and the joint brazed.
- Insert the expanding head of the pipe expander into the pipe. After completing pipe expansion, rotate the copper pipe a few degrees to rectify the straight line mark left by the expanding head.

Caution

- Ensure that the expanded section of piping is smooth and even. Remove any burrs that remain after cutting.

Figure 3-5.1: Expanding copper piping ends



5.3.4 Flared joints

Flared joints should be used where a screw thread connection is required.

Notes for installers

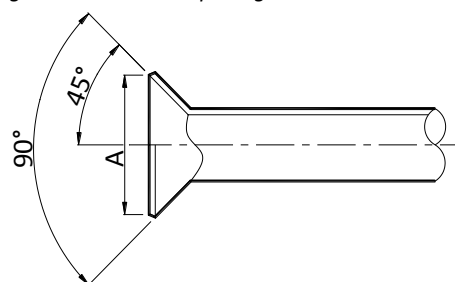


- Before flaring 1/2H (half hard) piping, anneal the end of the pipe to be flared.
- Remember to place the flare nut on the piping before flaring.
- Ensure the flared opening is not cracked, deformed or scratched, otherwise it will not form a good seal and refrigerant leakage may occur.
- The diameter of the flared opening should be within the ranges specified in Table 3-5.1. Refer to Figure 3-5.2.

Table 3-5.1: Flared opening size ranges

Pipe (mm)	Flared opening diameter (A) (mm)
Φ6.35	8.7 - 9.1
Φ9.53	12.8 - 13.2
Φ12.7	16.2 - 16.6
Φ15.9	19.3 - 19.7
Φ19.1	23.6 - 24.0

Figure 3-5.2: Flared opening



- When connecting a flared joint, apply some compressor oil to the inner and outer surfaces of the flared opening to facilitate the connection and rotation of the flare nut, ensure firm connection between the sealing surface and the bearing surface, and avoid the pipe becoming deformed.

## 5.3.5 Bending piping

Bending copper piping reduces the number of brazed joints required and can improve quality and save material.

### Notes for installers



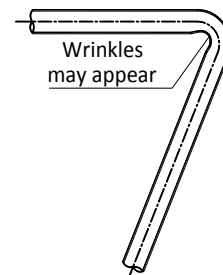
#### Piping bending methods

- Hand bending is suitable for thin copper piping ( $\Phi 6.35\text{mm} - \Phi 12.7\text{mm}$ ).
- Mechanical bending (using a bending spring, manual bending machine or powered bending machine) is suitable for a wide range of diameters ( $\Phi 6.35\text{mm} - \Phi 54.0\text{mm}$ ).

#### Caution

- When using a spring bender, ensure that the bender is clean before inserting it in the piping.
- After bending a copper pipe, ensure that there are no wrinkles or deformation on either side of the pipe.
- Ensure that bend angles do not exceed  $90^\circ$ , otherwise wrinkles may appear on the inner side of the pipe, and the pipe may buckle or crack. Refer to Figure 3-5.3.
- Do not use a pipe that has buckled during the bending process; ensure that the cross section at the bend is greater than  $2/3$  of the original area.

Figure 3-5.3: Pipe bending in excess of  $90^\circ$



## 5.4 Refrigerant Piping Supports

When the air conditioner is running, the refrigerant piping will deform (shrink, expand, droop). To avoid damage to piping, hangers or supports should be spaced as per the criteria in the Table 3-5.2. In general, the gas and liquid pipes should be suspended in parallel and the interval between support points should be selected according to the diameter of the gas pipe.

Table 3-5.2: Refrigerant piping support spacings

Pipe (mm)	Interval between support points (m)	
	Horizontal Piping	Vertical Piping
$< \Phi 20$	1	1.5
$\Phi 20 - \Phi 40$	1.5	2
$> \Phi 40$	2	2.5

Suitable insulation should be provided between the piping and the supports. If wooden dowels or blocks are to be used, use wood that has undergone preservative treatment.

Changes in refrigerant flow direction and refrigerant temperature result in movement, expansion and shrinkage of the refrigerant piping. Piping should therefore not be fixed too tightly, otherwise stress concentrations may occur in the piping, with the potential for rupturing.



### 5.5 Brazing

Care must be taken to prevent oxide forming on the inside of copper piping during brazing. The presence of oxide in a refrigerant system adversely affects the operation of valves and compressors, potentially leading to low efficiency or even compressor failure. To prevent oxidation, during brazing nitrogen should be flowed through the refrigerant piping.

#### Notes for installers



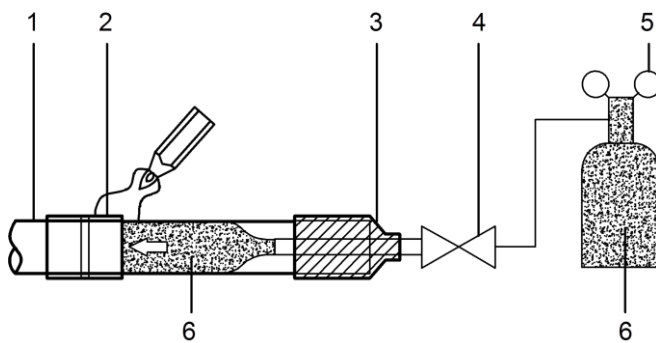
#### Warning

- Never flow oxygen through piping as doing so aids oxidation and could easily lead to explosion and as such is extremely dangerous.
- Take appropriate safety precautions such as having a fire extinguisher to hand whilst brazing.

#### Flowing nitrogen during brazing

- Use a pressure reducing valve to flow nitrogen through copper piping at 0.02-0.03MPa during brazing.
- Start the flow before brazing starts and ensure that the nitrogen continuously passes through the section being brazed until the brazing is complete and the copper has cooled down completely.

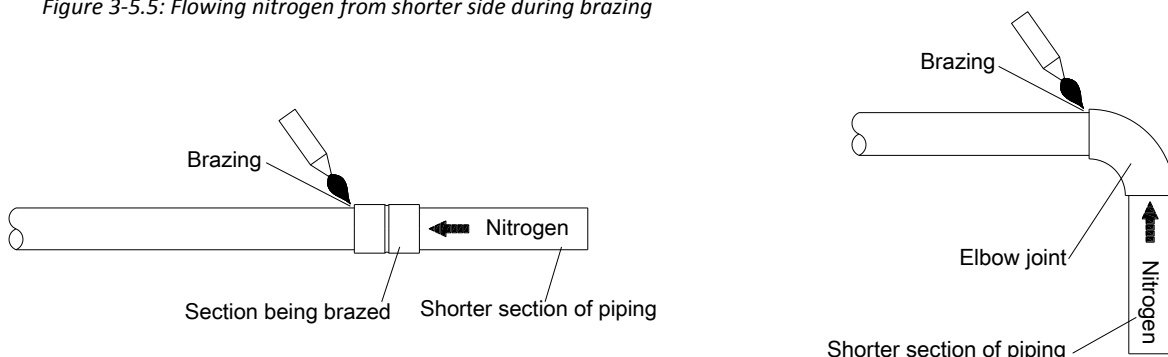
Figure 3-5.4: Flowing nitrogen through piping during brazing



Legend	
1	Copper piping
2	Section being brazed
3	Nitrogen connection
4	Hand valve
5	Pressure-reducing valve
6	Nitrogen

- When joining a shorter section of piping to a longer section, flow nitrogen from the shorter side to allow better displacement of air with nitrogen.
- If the distance from the point where nitrogen enters the piping to the joint to be brazed is long, ensure that the nitrogen is flowed for sufficient time to discharge all the air from the section to be brazed before commencing brazing.

Figure 3-5.5: Flowing nitrogen from shorter side during brazing



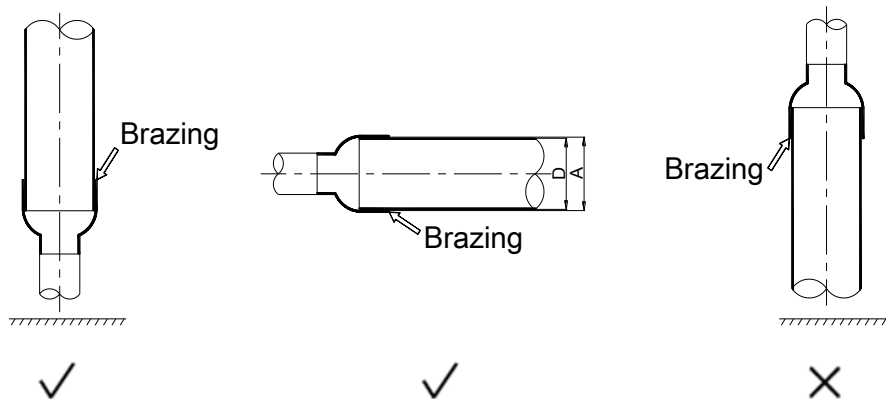
Box continued on next page ...

... box continued from previous page

**Piping orientation during brazing**

Brazing should be conducted downwards or horizontally to avoid filler leakage.

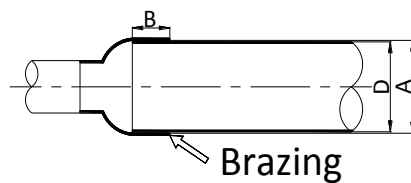
Figure 3-5.6: Piping orientation during brazing



**Piping overlap during brazing**

Table 3-5.3 specifies the minimum permissible piping overlap and the range of permissible gap sizes for brazed joints on piping of different diameters. Refer also to Figure 3-5.7.

Figure 3-5.7: Piping overlap and gap for brazed joints



Legend	
A	Inner diameter of larger pipe
D	Outer diameter of smaller pipe
B	Inlaid depth (overlap)

Table 3-5.3: Piping overlap and gap for brazed joints<sup>1</sup>

D (mm)	Minimum permissible B (mm)	Permissible A – D (mm)
5 < D < 8	6	0.05 - 0.21
8 < D < 12	7	
12 < D < 16	8	0.05 - 0.27
16 < D < 25	10	
25 < D < 35	12	0.05 - 0.35
35 < D < 45	14	

Notes:

1. A, B, D refer to the dimensions shown in Figure 3-5.7.

**Filler**

- Use a copper/phosphorus brazing alloy (BCuP) filler that does not require flux.
- Do not use flux. Flux can cause corrosion of piping and can affect the performance of compressor oil.
- Do not use anti-oxidants when brazing. Residue can clog piping and damage components.

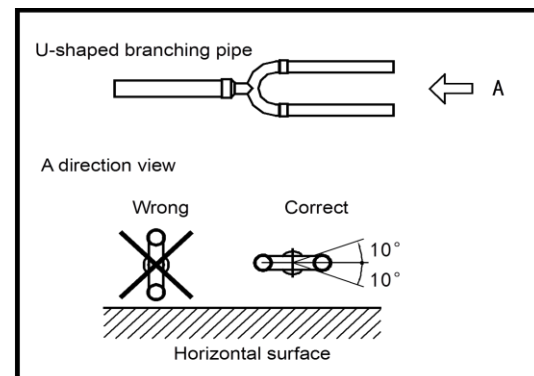
## 5.6 Branch Joints

### Notes for installers



- Use U-shaped branch joints as specified on the construction drawings – do not replace U-shaped branch joints with tee joints.
- Indoor branch joints may be installed either horizontally or vertically. Horizontal branch joints must be installed at an angle to the horizontal not exceeding  $10^\circ$  in order to avoid uneven distribution of refrigerant and possible malfunction. Refer to Figure 3-5.8.
- To ensure even distribution of refrigerant, a limitation is placed on how close branch joints may be installed to bends, other branch joints and the straight sections of piping leading to indoor units. Refer to Part 3, 4.6 “Branch Joints”.

Figure 3-5.8: Branch joint orientation



## 5.7 Pipe Flushing

### 5.7.1 Purpose

To remove dust, other particles and moisture, which could cause compressor malfunction if not flushed out before the system is run, the refrigerant piping should be flushed using nitrogen. As described in Part 3, 5.1.1 “Installation procedure”, pipe flushing should be performed once the piping connections have been completed with the exception of the final connections to the indoor units. That is, flushing should be performed once the outdoor units have been connected but before the indoor units are connected.

## Notes for installers

**Warning**

Only use nitrogen for flushing. Using carbon dioxide risks leaving condensation in the piping. Oxygen, air, refrigerant, flammable gases and toxic gases must not be used for flushing. Use of such gases may result in fire or explosion.

**Procedure**

The liquid and gas sides can be flushed simultaneously; alternatively, one side can be flushed first and then Steps 1 to 8 repeated, for the other side. The flushing procedure is as follows:

1. Cover the inlets and outlets of the indoor units to prevent dirt getting blown in during pipe flushing. (Pipe flushing should be carried out before connecting the indoor units to the piping system.)
2. Attach a pressure reducing valve to a nitrogen cylinder.
3. Connect the pressure reducing valve outlet to the inlet on the liquid (or gas) side of the outdoor unit.
4. Use blind plugs to block all liquid (gas) side openings, except for the opening at the indoor unit which is furthest from the outdoor unit ("Indoor unit A" in Figure 3-5.9).
5. Start to open the nitrogen cylinder valve and gradually increase the pressure to 0.5MPa.
6. Allow time for nitrogen to flow as far as the opening at indoor unit A.
7. Flush the first opening:
  - a) Using suitable material, such as a bag or cloth, press firmly against the opening at indoor unit A.
  - b) When the pressure becomes too high to block with your hand, suddenly remove your hand allowing gas to rush out.
  - c) Repeatedly flush in this manner until no further dirt or moisture is emitted from the piping. Use a clean cloth to check for dirt or moisture being emitted. Seal the opening once it has been flushed.
8. Flush the other openings in the same manner, working in sequence from indoor unit A towards the outdoor unit. Refer to Figure 3-5.10.
9. Once flushing is complete, seal all openings to prevent dust and moisture from entering.

Figure 3-5.9: Pipe flushing using nitrogen

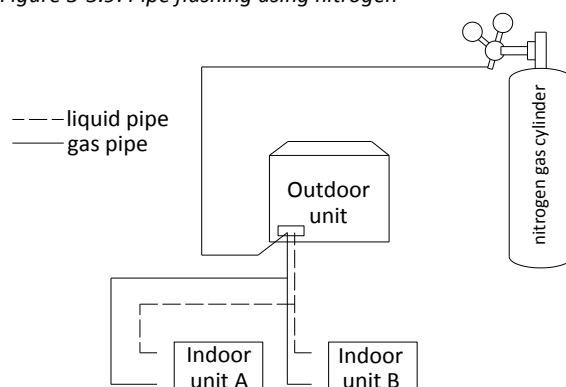
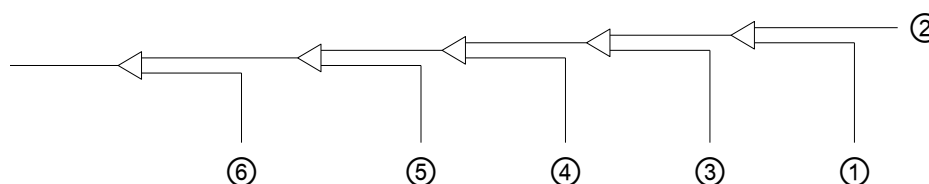


Figure 3-5.10: Pipe flushing sequence<sup>1</sup>



Notes:

1. 1-2-3-4-5-6 working towards the outdoor unit.

## 5.8 Gastightness Test

### 5.8.1 Purpose

To prevent faults caused by refrigerant leakage, a gastightness test should be performed before system commissioning..

### 5.8.2 Procedure

#### Notes for installers



#### Warning

Only dry nitrogen should be used for gastightness testing. Oxygen, air, flammable gases and toxic gases must not be used for gastightness testing. Use of such gases may result in fire or explosion.

#### Procedure

The gastightness test procedure is as follows:

##### Step 1

- Once the piping system is complete and the indoor and outdoor units have been connected, vacuum the piping to -0.1MPa.

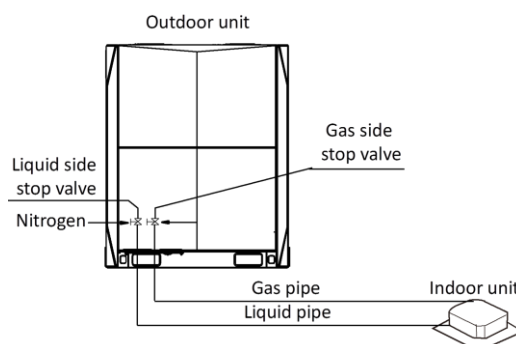
##### Step 2

- Charge the indoor piping with nitrogen at 0.3MPa through the needle valves on the liquid and gas stop valves and leave for at least 3 minutes (do not open the liquid or gas stop valves). Observe the pressure gauge to check for large leakages. If there is a large leakage, the pressure gauge will drop quickly.
- If there are no large leakages, charge the piping with nitrogen at 1.5MPa and leave for at least 3 minutes. Observe the pressure gauge to check for small leakages. If there is a small leakage, the pressure gauge will drop distinctly.
- If there are no small leakages, charge the piping with nitrogen at 4MPa and leave for at least 24 hours to check for micro leakages. Micro leakages are difficult to detect. To check for micro leakages, allow for any change in ambient temperature over the test period by adjusting the reference pressure by 0.01MPa per 1°C of temperature difference. Adjusted reference pressure = Pressure at pressurization + (temperature at observation – temperature at pressurization) x 0.01MPa. Compare the observed pressure with the adjusted reference pressure. If they are the same, the piping has passed the gastightness test. If the observed pressure is lower than the adjusted reference pressure, the piping has a micro leakage.
- If the leakage is detected, refer to Part 3, 5.8.3 “Leak detection”. Once the leak has been found and fixed, the gastightness test should be repeated.

##### Step 3

- If not continuing straight to vacuum drying (see Part 3, 5.9 “Vacuum Drying”) once the gastightness test is complete, reduce the system pressure to 0.5-0.8MPa and leave the system pressurized until ready to carry out the vacuum drying procedure.

Figure 3-5.11: Gastightness test



### 5.8.3 Leak detection

#### Notes for installers



The general methods for identifying the source of a leak are as follows:

1. Audio detection: relatively large leaks are audible.
2. Touch detection: place your hand at joints to feel for escaping gas.
3. Soapy water detection: small leaks can be detected by the formation of bubbles when soapy water is applied to a joint.
4. Refrigerant leak detection: for leaks that are difficult to detect, refrigerant leak detection may be used as follows:
  - a) Pressurize the piping with nitrogen at 0.3MPa.
  - b) Add refrigerant into the piping until the pressure reaches 0.5MPa.
  - c) Use a halogen refrigerant detector to find the leak.
  - d) If the leak source cannot be found, continuing charging with refrigerant to a pressure of 4MPa and then search again.

## 5.9 Vacuum Drying

### 5.9.1 Purpose

Vacuum drying should be performed in order to remove moisture and non-condensable gases from the system. Removing moisture prevents ice formation and oxidization of copper piping or other internal components. The presence of ice particles in the system would cause abnormal operation, whilst particles of oxidized copper can cause compressor damage. The presence of non-condensable gases in the system would lead to pressure fluctuations and poor heat exchange performance.

Vacuum drying also provides additional leak detection (in addition to the gastightness test).

## 5.9.2 Procedure

## Notes for installers



During vacuum drying, a vacuum pump is used to lower the pressure in the piping to the extent that any moisture present evaporates. At 5mmHg (755mmHg below typical atmospheric pressure) the boiling point of water is 0°C. Therefore a vacuum pump capable of maintaining a pressure of -756mmHg or lower should be used. Using a vacuum pump with a discharge in excess of 4L/s and a precision level of 0.02mmHg is recommended.

## Caution

- Before performing vacuum drying, make sure that all the outdoor unit stop valves are firmly closed.
- Once the vacuum drying is complete and the vacuum pump is stopped, the low pressure in the piping could suck vacuum pump lubricant into the air conditioning system. The same could happen if the vacuum pump stops unexpectedly during the vacuum drying procedure. Mixing of pump lubricant with compressor oil could cause compressor malfunction and a one-way valve should therefore be used to prevent vacuum pump lubricant seeping into the piping system.

## Procedure

The vacuum drying procedure is as follows:

## Step 1

- Connect the blue (low pressure side) hose of a pressure gauge to the outdoor unit gas pipe stop valve, the red (high pressure side) hose to the outdoor unit liquid pipe stop valve and the yellow hose to the vacuum pump.

## Step 2

- Start the vacuum pump and then open the pressure gauge valves to start vacuum the system.
- After 30 minutes, close the pressure gauge valves.
- After a further 5 to 10 minutes check the pressure gauge. If the gauge has returned to zero, check for leakages in the refrigerant piping.

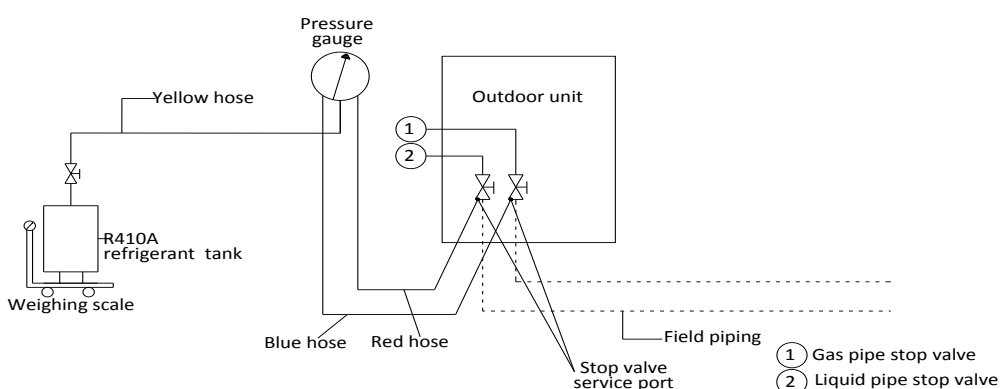
## Step 3

- Re-open the pressure gauge valves and continue vacuum drying for at least 2 hours and until a pressure difference of 756mmHg or more has been achieved. Once the pressure difference of at least 756mmHg has been achieved, continue vacuum drying for 2 hours.

## Step 4

- Close the pressure gauge valves and then stop the vacuum pump.
- After 1 hour, check the pressure gauge. If the pressure in the piping has not increased, the procedure is finished. If the pressure has increased, check for leakages.
- After vacuum drying, **keep the blue and red hoses connected to the pressure gauge and to the outdoor unit stop valves**, in preparation for refrigerant charging (see Part 3, 8 "Charging Refrigerant").

Figure 3-5.12: Vacuum drying



Pressure gauge

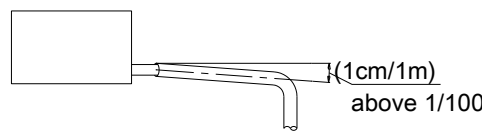
## 6 Drain Piping

### 6.1 Design Considerations

Drain piping design should take account of the following considerations:

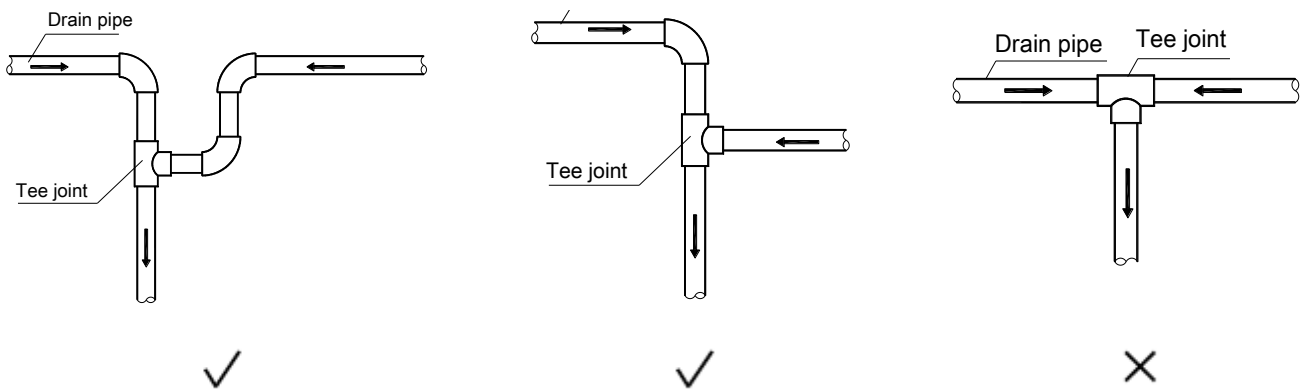
- Indoor unit condensate drain piping needs to be of sufficient diameter to carry the volume of condensate produced at the indoor units and installed at a slope sufficient to allow drainage. Discharge as close as possible to the indoor units is usually preferable.
- To prevent the drain piping becoming excessively long, consideration should be given to installing multiple drain piping systems, with each system having its own drainage point and providing drainage for a subset of the overall set of indoor units.
- The routing of drain piping should take into consideration the need to maintain sufficient slope for drainage whilst avoiding obstacles such as beams and ducting. The drain piping slope should be at least 1:100 away from indoor units. Refer to Figure 3-6.1.

Figure 3-6.1: Drain piping minimum slope requirement



- To avoid backflow and other potential complications, two horizontal drain pipes should not meet at the same level. Refer to the Figure 3-6.2 for suitable connection arrangements. Such arrangements also allow the slope of the two horizontal pipes to be selected independently.

Figure 3-6.2: Drain piping joints – correct and incorrect configurations



- Branch drain piping should join main drain piping from the top, as shown in Figure 3-6.3.
- Recommended support/hanger spacing is 0.8 – 1.0m for horizontal piping and 1.5 – 2.0m for vertical piping. Each vertical section should be fitted with at least two supports. For horizontal piping, spacing greater than those recommended leads to sagging and deformation of the pipe profile at the supports which impedes water flow and should therefore be avoided.
- Air vents should be fitted at the highest point of each drain piping system to ensure that condensation is discharged smoothly. U-bends or elbow joints should be used such that the vents face downwards, to prevent dust entering the piping. Refer to Figure 3-6.5. Air vents should not be installed too close to indoor unit lift pumps.

Figure 3-6.3: Branch drain piping joining main drain piping

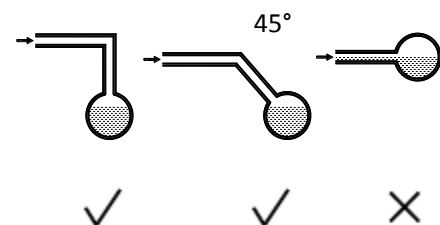


Figure 3-6.4: Effect of insufficient drain piping support

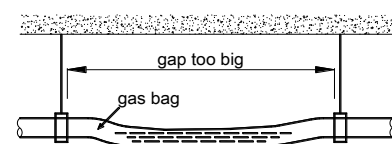
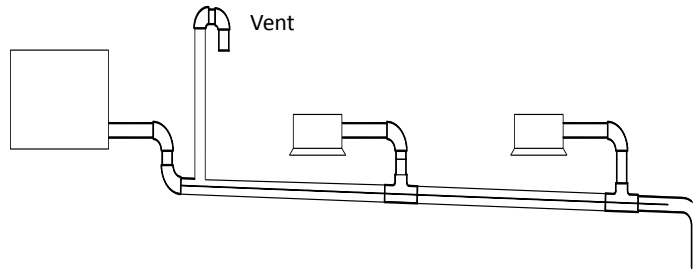




Figure 3-6.5: Drain piping air vents

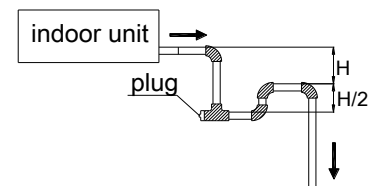


- Air conditioner drain piping should be installed separately from waste, rainwater and other drain piping and should not come into direct contact with the ground.
- Drain piping diameter should be not less than the indoor units' drain piping connection.
- To allow inspection and maintenance, the piping clamps shipped with units should be used to attach drain piping to indoor units – adhesive should not be used.
- Thermal insulation should be added to drain piping to prevent condensation forming. Thermal insulation should extend all the way to the connection with the indoor unit.
- Units with drain pumps should have separate drain piping systems from systems that use natural drainage.

### 6.2 Water Traps

For indoor units with a high negative pressure differential at the outlet of the drainage pan, a trap should be fitted to the drain piping to prevent poor drainage and/or water being blown back into the drainage pan. Traps should be arranged as in Figure 3-6.6. The vertical separation H should be in excess of 50mm. A plug may be fitted to allow cleaning or inspection.

Figure 3-6.6: Drain piping water traps



### 6.3 Selecting Piping Diameters

Select branch drainage piping (the drain piping connection to each unit) diameters according to indoor unit flow volume and select main drainage piping diameters according to the combined flow volume of the upstream indoor units. Use a design assumption of 2 liters of condensate per horsepower per hour. For example, the combined flow volume of three 2HP units and two 1.5HP units would be calculated as follows:

$$\begin{aligned} \text{Combined flow volume} &= 3 \times 2 \text{ L/HP/h} \times 2\text{HP} + 2 \times 2 \text{ L/HP/h} \times 1.5\text{HP} = 18 \text{ L/h} \end{aligned}$$

Tables 3-6.1 and 3-6.2 specify the required piping diameters for horizontal and vertical branch piping and for main piping. Note that main piping should use PVC40 or larger.

Table 3-6.1: Horizontal drain piping diameters

PVC piping	Nominal diameter (mm)	Capacity (L/h)		Remarks
		Slope 1:50	Slope 1:100	
PVC25	25	39	27	Branch piping only
PVC32	32	70	50	
PVC40	40	125	88	Branch or main piping
PVC50	50	247	175	
PVC63	63	473	334	

Table 3-6.2: Vertical drain piping diameters

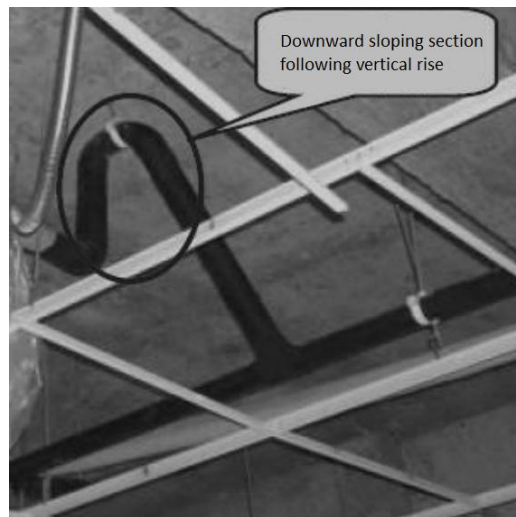
PVC piping	Nominal diameter (mm)	Capacity (L/h)	Remarks
PVC25	25	220	Branch piping only
PVC32	32	410	
PVC40	40	730	Branch or main piping
PVC50	50	1440	
PVC63	63	2760	
PVC75	75	5710	
PVC90	90	8280	

### 6.4 Drain Piping for Units with Lift Pumps

Drain piping for units with lift pumps should take account of the following additional considerations:

- A downward sloping section should immediately follow the vertically rising section adjacent to the unit, otherwise a water pump error will occur. Refer to Figure 3-6.7.
- Air vents should not be installed on vertically rising sections of drain piping, otherwise water may be discharged through the air vent or water flow may be impeded.

Figure 3-6.7: Downward sloping section of drain piping



### 6.5 Drain Piping Installation

#### Notes for installers



Installation of the drain piping should proceed in the following order:



#### Caution

- Ensure that all joints are firm and once the drain piping is all connected conduct a watertightness test and water flow test.
- Do not connect air conditioner drain piping to waste, rainwater or other drain piping and do not let air conditioner drain piping come into direct contact with the ground.
- For units with drain pumps, test that the drain pump functions properly by adding water to the unit’s drainage pan and running the unit. To allow inspection and maintenance, the pipe clamps shipped with units should be used to attach drain piping to indoor units – adhesive should not be used.

## 6.6 Watertightness Test and Water Flow Test

Once installation of a drainage piping system is complete, watertightness and water flow tests should be performed.

### Notes for installers



#### Watertightness test

- Fill the piping with water and test for leakages over a 24-hour period.

#### Water flow test (natural drainage test)

- Slowly fill the drainage pan of each indoor unit with at least 600ml of water through the inspection port and check that the water is discharged through the outlet of the drain piping.

#### Caution

- The drain plug in the drainage pan is for removing accumulated water prior to performing indoor unit maintenance. During normal operation, the drain should be plugged to prevent leakage.

## 7 Insulation

### 7.1 Refrigerant Piping Insulation

#### 7.1.1 Purpose

During operation, the temperature of the refrigerant piping varies. Insulation is required to ensure unit performance and compressor lifespan. During cooling, the gas pipe temperature can be very low. Insulation prevents condensation forming on the piping. During heating, the gas pipe temperature can rise to as high as 100°C. Insulation serves as necessary protection from burns.

#### 7.1.2 Selecting insulation materials

Refrigerant piping insulation should be closed-cell foam of B1 fire resistance rating that can withstand a constant temperature of over 120°C and that complies with all applicable legislation.

#### 7.1.3 Thickness of insulation

Minimum thicknesses for refrigerant piping insulation are specified in Table 3-7.1. In hot, humid environments, the thickness of insulation should be increased over and above the specifications in Table 3-7.1.

Table 3-7.1: Refrigerant piping insulation thickness

Pipe outer diameter (mm)	Minimum insulation thickness (mm) Humidity < 80%RH	Minimum insulation thickness (mm) Humidity ≥ 80%RH
Φ6.35	15	20
Φ9.53		
Φ12.7		
Φ15.9		
Φ19.1		
Φ22.2		
Φ25.4		
Φ28.6		
Φ31.8		
Φ38.1		
Φ41.3	20	25
Φ44.5		
Φ54.0		

## 7.1.4 Installation of piping insulation

With the exception of joint insulation, insulation should be applied to piping before fixing the piping in place. Insulation at joints in refrigerant piping should be applied after the gastightness test has been completed.

### Notes for installers



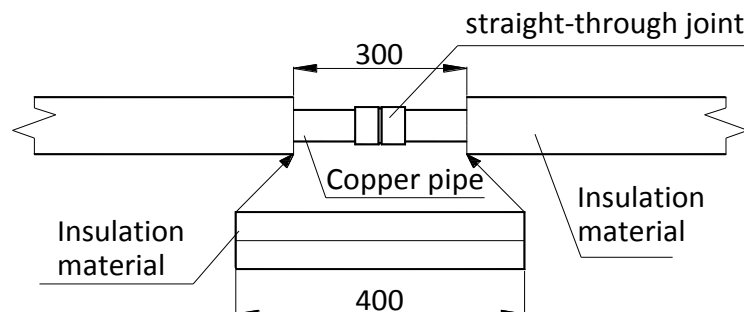
- Installation of insulation should be carried out in a manner suited to the type of insulation material being used.
- Ensure there are no gaps at the joints between sections of insulation.
- Do not apply tape too tightly as doing so may shrink insulation, reducing its insulating properties leading to condensation and loss of efficiency.
- Insulate gas and liquid pipes separately, otherwise heat exchange between the two sides will greatly impact efficiency.
- Do not bind the separately insulated gas and liquid pipes together too tightly as doing so can damage the joints between sections of insulation.

## 7.1.5 Installation of joint insulation

Insulation at joints in the refrigerant piping should be installed after the gastightness test has been successfully completed. The procedure at each joint is as follows:

1. Cut a section of insulation 50 to 100mm longer than the gap to be filled. Ensure that the cross-sectional and longitudinal openings are all cut evenly.
2. Embed the section into the gap ensuring that the ends abut tightly to the sections of insulation either side of the gap.
3. Glue the longitudinal cut and the joints with the sections of insulation either side of the gap.
4. Seal the seams with tape.

Figure 3-7.1: Installation of joint insulation (unit: mm)



## 7.2 Drain Piping Insulation

- Use rubber/plastic insulating tube with a B1 fire resistance rating.
- The insulation should typically be in excess of 10mm thick.
- For drain piping installed inside a wall, insulation is not required.
- Use suitable adhesive to seal seams and joints in the insulation and then bind with cloth reinforced tape of width not less than 50mm. Ensure tape is fixed firmly to avoid condensation.
- Ensure the drain piping insulation adjacent to the indoor unit drainage water outlet is fixed to the unit itself using adhesive, to prevent condensation and dripping.

## 7.3 Ducting Insulation

- Suitable insulation should be added to ducting in according with all applicable legislation.

## 8 Charging Refrigerant

### 8.1 Calculating Additional Refrigerant Charge

The additional refrigerant charge required depends on the lengths and diameters of the outdoor and indoor liquid pipes. Table 3-8.1 shows the additional refrigerant charge required per meter of equivalent pipe length for different diameters of pipe. The total additional refrigerant charge is obtained by summing the additional charge requirements for each of the outdoor and indoor liquid pipes, as in the following formula, where  $L_1$  to  $L_8$  represent the equivalent lengths of the pipes of different diameters. Assume 0.5m for the equivalent pipe length of each branch joint.

$$\begin{aligned} \text{Additional refrigerant charge R (kg)} &= L_1 (\Phi 6.35) \times 0.022 \\ &+ L_2 (\Phi 9.53) \times 0.057 \\ &+ L_3 (\Phi 12.7) \times 0.110 \\ &+ L_4 (\Phi 15.9) \times 0.170 \\ &+ L_5 (\Phi 19.1) \times 0.260 \\ &+ L_6 (\Phi 22.2) \times 0.360 \\ &+ L_7 (\Phi 25.4) \times 0.520 \\ &+ L_8 (\Phi 28.6) \times 0.680 \end{aligned}$$

Table 3-8.1: Additional refrigerant charge

Liquid side piping (mm)	Additional refrigerant charge per meter of equivalent length of piping (kg)
Φ6.35	0.022
Φ9.53	0.057
Φ12.7	0.110
Φ15.9	0.170
Φ19.1	0.260
Φ22.2	0.360
Φ25.4	0.520
Φ28.6	0.680

### 8.2 Adding Refrigerant

#### Notes for installers



#### Caution

- Only charge refrigerant after performing a gastightness test and vacuum drying.
- Never charge more refrigerant than required as doing so can lead to liquid hammering.
- Only use refrigerant R410A - charging with an unsuitable substance may cause explosions or accidents.
- Use tools and equipment designed for use with R410A to ensure required pressure resistance and to prevent foreign materials from entering the system.
- Refrigerant must be treated in accordance with applicable legislation.
- Always use protective gloves and protect your eyes when charging refrigerant.
- Open refrigerant containers slowly.

#### Procedure

The procedure for adding refrigerant is as follows:

##### Step 1

- Calculate additional refrigerant charge R (kg) (see Part 3, 8.1 "Calculating Additional Refrigerant Charge")

##### Step 2

- Place a tank of R410A refrigerant on a weighing scale. Turn the tank upside down to ensure refrigerant is charged in a liquid state. (R410A is a blend of two different chemicals compounds. Charging gaseous R410A into the system could mean that the refrigerant charged is not of the correct composition).
- After vacuum drying (see Part 3, 5.9 "Vacuum Drying"), the blue and red pressure gauge hoses should still be connected to the pressure gauge and to the master unit stop valves.
- Connect the yellow hose from the pressure gauge to the R410A refrigerant tank.

Box continued on next page ...

... box continued from previous page

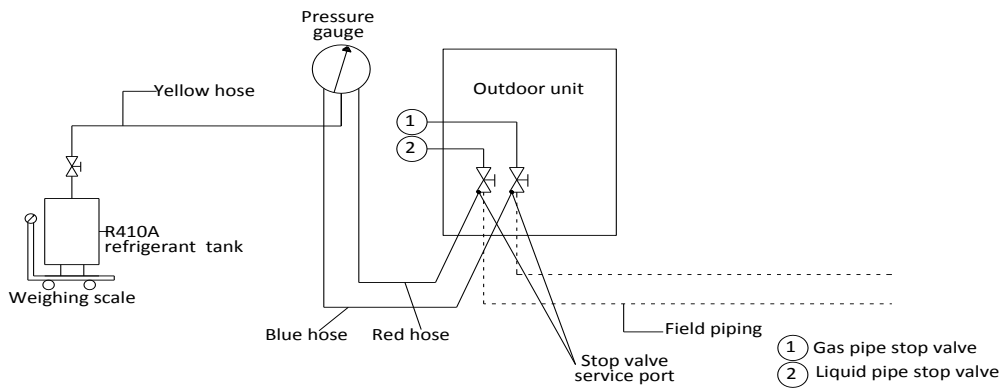
### Step 3

- Open the valve where the yellow hose meets the pressure gauge, and open the refrigerant tank slightly to let the refrigerant eliminate the air. Caution: open the tank slowly to avoid freezing your hand.
- Set the weighing scale to zero.

### Step 4

- Open the three valves on the pressure gauge to begin charging refrigerant.
- When the amount charged reaches R (kg), close the three valves. If the amount charged has not reached R (kg) but no additional refrigerant can be charged, close the three valves on the pressure gauge, run the outdoor unit in cooling mode, and then open the yellow and blue valves. Continue charging until the full R (kg) of refrigerant has been charged, then close the yellow and blue valves. Note: Before running the system, be sure to complete all the pre-commissioning checks as listed in Part 3, 11.3 “Pre-commissioning Checks” and be sure to open all stop valves as running the system with the stop valves closed would damage the compressor.

Figure 3-8.1: Charging refrigerant



Pressure gauge

## 9 Electrical Wiring

### 9.1 General

#### Notes for installers



##### Caution

- All installation and wiring must be carried out by competent and suitably qualified, certified and accredited professionals and in accordance with all applicable legislation.
- Electrical systems should be grounded in accordance with all applicable legislation.
- Overcurrent circuit breakers and residual-current circuit breakers (ground fault circuit interrupters) should be used in accordance with all applicable legislation.
- Wiring patterns shown in this data book are general connection guides only and are not intended for, or to include all details for, any specific installation.
- The refrigerant piping, power wiring and communication wiring are typically run in parallel. However the communication wiring should not be bound together with the refrigerant piping or power wiring. To prevent signal interference, the power wiring and communication wiring should not be run in the same conduit. If the power supply is less than 10A, a separation of at least 300mm between power wiring and communication wiring conduits should be maintained; if the power supply is in the range 10A to 50A then a separation of at least 500mm should be maintained.

### 9.2 Power Supply Wiring

Power supply wiring design and installation should adhere to the following requirements:

- Separate power supplies should be provided for the indoor units and outdoor unit.
- Where five or more outdoor units are installed, additional residual current protection (leakage protection) should be installed as shown in Figure 3-9.1.
- All the indoor units in a system (i.e. all the indoor units connected to the same outdoor unit) should be tied into the same power circuit with the same power supply, overcurrent and residual current protection (leakage protection) and manual switch, as shown in Figure 3-9.2. Do not install separate protectors or manual switches for each indoor unit. Powering on and shutting down all indoor units in a system should be done simultaneously. The reason for this is that if an indoor unit that is running were to suddenly power off whilst the other indoor units continued running, the evaporator of the powered-off unit would freeze since refrigerant would continue flowing to that unit (its expansion valve would still be open) but its fan would have stopped. The indoor units that remain running would not get sufficient refrigerant so their performance would suffer. Additionally, liquid refrigerant returning directly to the compressor from the powered-off unit would cause liquid hammering, potentially damaging the compressor.
- For outdoor unit power wire sizing and circuit breaker sizing, refer to Table 2-6.1 in Part 2, 6 “Electrical Characteristics”.

Figure 3-9.1: Outdoor unit power supply wiring

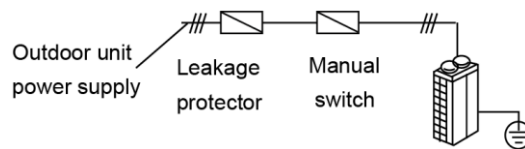
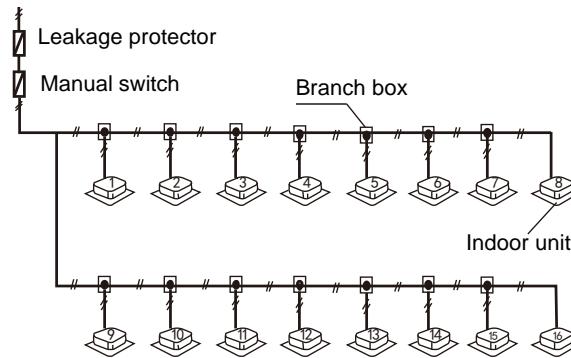


Figure 3-9.2: Indoor unit power supply wiring

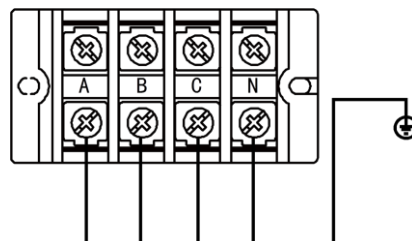


## Notes for installers



The 3-phase, 380-415V, 50 or 60Hz power supply should be connected to the outdoor unit power supply terminals as shown in Figure 3-9.3.

Figure 3-9.3: Outdoor unit 3-phase power supply terminals



## 9.3 Communication Wiring

Communication wiring design and installation should adhere to the following requirements:

- 0.75mm<sup>2</sup> three-core shielded cable should be used for communication wiring. Using other types of cable can lead to interference and malfunction.
- **Indoor communication wiring:**
  - The P Q E communication wires should be connected one unit after another in a daisy chain from the outdoor unit to the final indoor unit. At the final indoor unit, a 120Ω resistor should be connected between the P and Q terminals. After the final indoor unit, the communication wiring should NOT be continued back to the outdoor unit – that is, do not attempt to form a closed loop.
  - The P and Q communication wires should NOT be grounded.
  - The shielding nets of the communication wires should be connected together and grounded. Grounding can be achieved by connecting to the metal casing adjacent to the P Q E terminals of the outdoor unit electrical control box.



Notes for installers



The communication wires should be connected to the outdoor unit terminals indicated in Figure 3-9.4 and Table 3-9.1.

**Caution**

- Communication wiring has polarity. Care should be taken to connect the poles correctly.

Figure 3-9.4: Outdoor unit communication terminals

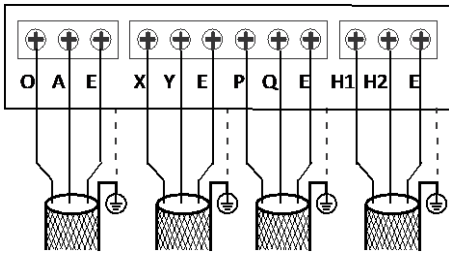
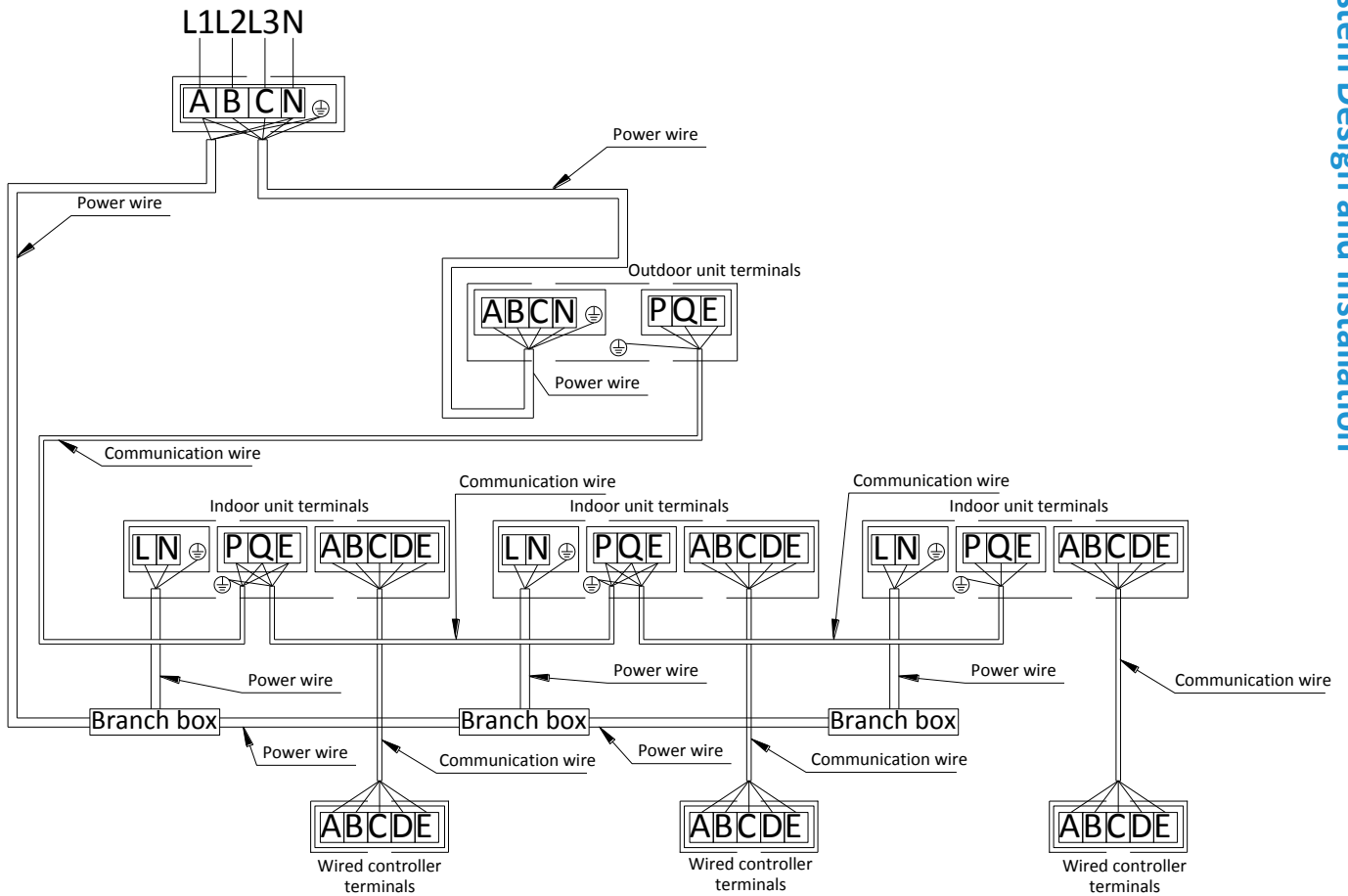


Table 3-9.1: Communication connections

Terminals	Connection
O A E	Connect to digital energy meter
X Y E	Connect to indoor unit centralized controller
P Q E	Connect between indoor units and master outdoor unit
H1 H2 E	Not available for V6 Individual series outdoor unit

9.4 Wiring example

Figure 3-9.5: System power and communication wiring example



## 10 Installation in Areas of High Salinity

### 10.1 Caution

Do not install outdoor units where they could be directly exposed to sea air. Corrosion, particularly on the condenser and evaporator fins, could cause product malfunction or inefficient performance.

Outdoor units installed in seaside locations should be placed such as to avoid direct exposure to the sea air and additional anticorrosion treatment options should be selected, otherwise the service life of the outdoor units will be seriously affected.

Air conditioning installed in seaside locations should be run regularly as the running of the outdoor unit fans helps prevent build-up of salt on the outdoor unit heat exchangers.

### 10.2 Placement and Installation

Outdoor units should be installed 300m or more from the sea. If possible, well-ventilated indoor locations should be chosen. (When installing outdoor units indoors, outdoor unit discharge ducts should be added. See Part 3, 3 “Outdoor Unit Ducting and Shielding”.) Refer to Figure 3-10.1. If it is necessary to install outdoor units outside, direct exposure to the sea air should be avoided. A canopy should be added to shield the units from sea air and rain, as shown in Figure 3-10.2.

Ensure that base structures drain well so that outdoor unit footings do not become waterlogged. Check that outdoor unit casing drainage holes are not blocked.

Figure 3-10.1: Installation in a well-ventilated indoor area

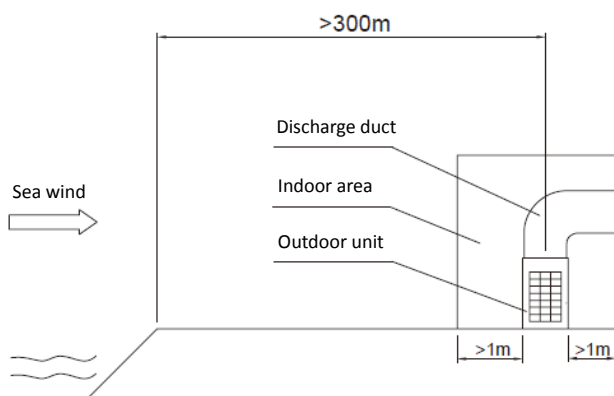
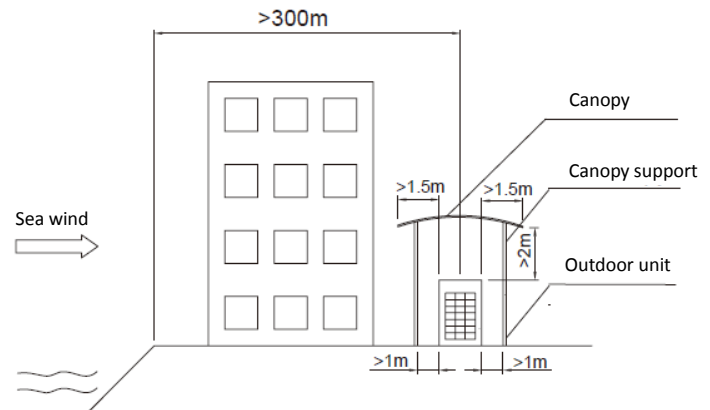


Figure 3-10.2: Installation outdoors under a canopy



### 10.3 Inspection and maintenance

In addition to standard outdoor unit servicing and maintenance, the following additional inspections and maintenance should be undertaken for outdoor units installed in seaside locations:

- A comprehensive post-installation inspection should check for any scratches or other damage to painted surfaces and any damaged areas should be repainted/repaired immediately.
- The units should be regularly cleaned using (non-salty) water to remove any salt that has accumulated. Areas cleaned should include the condenser, the refrigerant piping system, the outside surface of the unit casing and the outside surface of the electric control box.
- Regular inspections should check for corrosion and if necessary corroded components should be replaced and/or anti-corrosion treatments should be added.

## 11 Commissioning

### 11.1 Outdoor Unit Capacity Settings

The capacity of each outdoor unit (on switch ENC2 on each outdoor unit's main PCB) is factory-set and should not need changing. Check that the capacity settings are correct. Refer to Table 3-11.1.

Table 3-11.1: Outdoor unit capacity settings

Capacity settings				
0	8HP		7	22HP
1	10HP		8	24HP
2	12HP		9	26HP
3	14HP		A	28HP
4	16HP		B	30HP
5	18HP		C	32HP
6	20HP			

### 11.2 Multi-system Projects

For projects with multiple refrigerant systems, each independent refrigeration system (i.e. each system of one outdoor unit and its connected indoor units) should be given a test run independently, before the multiple systems that make up a project are run simultaneously.

### 11.3 Pre-commissioning Checks

Before turning on the power to the indoor and outdoor units, ensure the following:

1. All indoor and outdoor refrigeration piping and communication wiring has been connected to the correct refrigeration system and the system to which each indoor and outdoor unit belongs is clearly marked on each unit or recorded in some other suitable place.
2. Pipe flushing, gastightness testing and vacuum drying have been satisfactorily completed as per instructions.
3. All condensate drain piping is complete and a watertightness test has been satisfactorily completed.
4. All power and communication wiring is connected to the correct terminals on units and controllers. (Check that the different phases of the 3-phase power supplies have been connected to the correct terminals).
5. No wiring has been connected in a short-circuit.
6. The power supplies to indoor and outdoor units have been checked and the power supply voltages are within  $\pm 10\%$  of the rated voltages for each product.
7. All control wiring is  $0.75\text{mm}^2$  three-core shielded cable and the shielding has been grounded.
8. The outdoor unit's capacity switch is set correctly (see Part 3, 11.1 "Outdoor Unit Capacity Settings") and all other indoor and outdoor unit field settings have been set as required.
9. The additional refrigerant charge has been added as per Part 3, 8 "Charging Refrigerant". Note: In some circumstances it may be necessary to run the system in cooling mode during the refrigerant charging procedure. In such circumstances, points 1 to 8 above should be checked before running the system for the purpose of charging refrigerant and the outdoor unit liquid and gas stop valves should be opened.

During commissioning, it is important that you:

- Keep a supply of R410A refrigerant at hand.
- Keep the system layout, system piping and control wiring diagrams at hand.

### 11.4 Commissioning Trial Runs

#### 11.4.1 Commissioning test run of single refrigerant system

Once all the pre-commissioning checks in Part 3, 11.3 “Pre-commissioning Checks” have been completed, a test run should be performed as described below and a V6-i Series System Commissioning Report (see Part 3, 12 “Appendix to Part 3 – System Commissioning Report”) should be completed as a record of the operating status of the system during commissioning.

Note: When running the system for commissioning test runs, if the combination ratio is 100% or less, run all the indoor units and if the combination ratio is more than 100%, run indoor units with total capacity equal to the capacity of the outdoor unit.

The test run procedure is as follows:

1. Open the outdoor unit liquid and gas stop valves.
2. Turn on the power to the outdoor unit.
3. If manual addressing is being used, set the addresses of each indoor unit.
4. Leave the power on for a minimum of 12 hours prior to running the system to ensure that the crankcase heaters have heated the compressor oil sufficiently.
5. Run the system:
  - a) Run the system in cooling mode with the following settings: temperature 17°C; fan speed high.
  - b) After one hour, complete Sheet A of the system commissioning report then check the system parameters using the UP/DOWN button on the outdoor unit’s main PCB and complete the cooling mode columns of one Sheet D and one Sheet E of the system commissioning report for the outdoor unit.
  - c) Run the system in heating mode with the following settings: temperature 30°C; fan speed high.
  - d) After one hour, complete Sheet B of the system commissioning report then check the system parameters using the UP/DOWN button on the outdoor unit’s main PCB and complete the heating mode columns of one Sheet D and one Sheet E of the system commissioning report for the outdoor unit.
6. Finally, complete Sheet C of the system commissioning report.

#### 11.4.2 Commissioning test run of multiple refrigerant systems

Once the commissioning test run of each refrigerant system has been satisfactorily completed as per Part 3, 11.4.1 “Commissioning test run of single refrigerant system”, run the multiple systems that make up a project simultaneously and check for any abnormalities.

## **12 Appendix to Part 3 – System Commissioning Report**

A total of up to 5 report sheets should be completed for each system:

- One Sheet A, one Sheet B and one Sheet C per system.
- One Sheet D and one Sheet E per outdoor unit.



**V6-i Series System Commissioning Report – Sheet B**

SYSTEM INFORMATION			
Project name and location		Customer company	
System name		Installation company	
Commissioning date		Agent company	
Outdoor ambient temp.		Commissioning engineer	
Outdoor unit information	Model	Serial no.	Power supply (V)

OUTDOOR UNIT								
<b>COOLING MODE PARAMETER RECORD</b> (After running in heating mode for one hour)	Compressor suction pipe temperature		Current (A)					
	System pressure at check port		Within normal range?					
	INDOOR UNITS							
	(Sample of over 20% of the indoor units including the unit farthest from the outdoor unit)							
	Room no.	Model	Address	Set temp. (°C)	Inlet temp. (°C)	Outlet temp. (°C)	Drainage OK?	Abnormal noise/vibration?

V6-i Series System Commissioning Report – Sheet C

Project name and location	System name
---------------------------	-------------

RECORD OF ISSUES SEEN DURING COMMISSIONING				
No.	Description of observed issue	Suspected cause	Troubleshooting undertaken	Serial no. of relevant unit
1				
2				
3				

OUTDOOR UNIT FINAL CHECKLIST	
SW2 system check performed?	
Any abnormal noise?	
Any abnormal vibration?	
Fan rotation normal?	

	Commissioning engineer	Dealer	Midea representative
Name:			
Signature:			
Date:			

Midea V6-i Series Engineering Data Book



**V6-i Series System Commissioning Report – Sheet D**

<b>Project name and location</b>	<b>System name</b>
----------------------------------	--------------------

DSP1 content	Parameters displayed on DSP2	Remarks	Observed values	
			Cooling mode	Heating mode
0.--	Unit address	V6-i series outdoor unit: 0		
1.--	Unit capacity	Refer to Note 1		
2.--	Number of outdoor units	V6-i series outdoor unit: 1		
3.--	Number of indoor units as set on PCB	Actual value = value displayed		
4.--	Total capacity of outdoor unit			
5.--	Total capacity requirement of indoor units			
6.--	Outdoor unit output metric			
7.--	Operating mode	Refer to Note 2		
8.--	Outdoor unit actual operating capacity			
9.--	Fan A speed index	Refer to Note 3		
10.--	Fan B speed index	Refer to Note 3		
11.--	Indoor heat exchanger pipe (T2/T2B) temperature (°C)	Actual value = value displayed		
12.--	Main heat exchanger pipe (T3) temperature (°C)	Actual value = value displayed		
13.--	Outdoor ambient (T4) temperature (°C)	Actual value = value displayed		
14.--	Plate heat exchanger cooling refrigerant inlet (T6A) temperature (°C)	Actual value = value displayed		
15.--	Plate heat exchanger cooling refrigerant outlet (T6B) temperature (°C)	Actual value = value displayed		
16.--	Inverter compressor A discharge temperature (°C)	Actual value = value displayed		
17.--	Inverter compressor B discharge temperature (°C)	Actual value = value displayed		
18.--	Inverter module A heatsink temperature (°C)	Actual value = value displayed		
19.--	Inverter module B heatsink temperature (°C)	Actual value = value displayed		
20.--	Plate heat exchanger cooling refrigerant outlet temperature minus inlet temperature (°C)	Actual value = value displayed		
21.--	Discharge superheat degree (°C)	Actual value = value displayed		
22.--	Inverter compressor A current (A)	Actual value = value displayed		
23.--	Inverter compressor B current (A)	Actual value = value displayed		
24.--	EXVA position	Refer to Note 4		
25.--	EXVB position	Refer to Note 4		
26.--	EXVC position	Refer to Note 4		
27.--	Compressor discharge pressure (MPa)	Actual value = value displayed × 0.1		
28.--	Reserved			
29.--	Number of indoor units currently in communication with master unit	Actual value = value displayed		
30.--	Number of indoor units currently operating	Actual value = value displayed		
31.--	Priority mode	Refer to Note 5		
32.--	Silent mode	Refer to Note 6		
33.--	Static pressure mode	Refer to Note 7		
34.--	Reserved			

*Table continued on next page ...*

V6-i Series System Commissioning Report – Sheet E

Project name and location	System name
---------------------------	-------------

... table continued from previous page

DSP1 content	Parameters displayed on DSP2	Remarks	Observed values	
			Cooling mode	Heating mode
35.--	Reserved			
36.--	DC voltage A	Actual value = value displayed × 10		
37.--	DC voltage B	Actual value = value displayed × 10		
38.--	Reserved			
39.--	Address of VIP indoor unit			
40.--	Reserved			
41.--	Reserved			
42.--	Refrigerant quantity	Refer to Note 8		
43.--	Reserved			
44.--	Power limitation mode	note		
45.--	Most recent error or protection code	"--" is displayed if no error or protection events have occurred since start-up		
-- --	--	End		

- Notes:
- Outdoor unit capacity setting:
    - 0: 8HP; 1: 10HP; 2: 12HP; 3: 14HP; 4: 16HP; 5: 18HP; 6: 20HP; 7: 22HP; 8: 24HP; 9: 26HP; A: 28HP; B: 30HP; C: 32HP.
  - Operating mode:
    - 0: off; 2: cooling; 3: heating; 4: forced cooling.
  - The fan speed index is related to the fan speed in rpm and can take any integer value in the range 1 (slowest) to 35 (fastest).
  - 480P: steps = value displayed × 4; 3000P: steps = value displayed × 24.
  - Priority mode:
    - 0: auto priority; 1: cooling priority; 2: VIP priority or voting priority; 3: heating only; 4: cooling only.
  - Silent mode:
    - 0: night silent time 6h/10h; 1: night silent time 6h/12h; 2: night silent time 8h/10h; 3: night silent time 8h/12h; 4: no silent mode; 5: silent mode 1; 6: silent mode 2; 7: silent mode 3; 8: super silent mode 1; 9: super silent mode 2; 10: super silent mode 3; 11: super silent mode 4.
  - Static pressure mode:
    - 0: standard static pressure; 1: low static pressure; 2: medium static pressure; 3: high static pressure; 4: super high static pressure.
  - Refrigerant quantity:
    - 0: normal; 1: slightly excessive; 2: significantly excessive; 3: slightly insufficient; 4: significantly insufficient; 5: critically insufficient.



Midea CAC  
After-service Application



iOS



Android

Midea CAC  
News Application



iOS

## Commercial Air Conditioner Division Midea Group

**Add.:** Midea Headquarters Building, 6 Midea Avenue, Shunde, Foshan, Guangdong, China

**Postal code:** 528311

**Tel:** +86-757-26338346

**Fax:** +86-757-22390205

[cac.midea.com](http://cac.midea.com) / [global.midea.com](http://global.midea.com)

Note: Product specifications change from time to time as product improvements and developments are released and may vary from those in this document.